



US00D852001S

(12) **United States Design Patent** (10) **Patent No.:** **US D852,001 S**
Campbell et al. (45) **Date of Patent:** **** Jun. 25, 2019**

(54) **CONTAINER ENCLOSURE**

D495,208 S 8/2004 Putnam
D512,874 S 12/2005 Poulson et al.
D543,791 S 6/2007 Goto et al.

(71) Applicant: **CAMCAL ENTERPRISES, LLC**,
Phoenix, AZ (US)

(Continued)

(72) Inventors: **Matthew T. Campbell**, Cave Creek,
AZ (US); **Adam Callinan**, Manhattan
Beach, CA (US)

FOREIGN PATENT DOCUMENTS

DE 102004025620 2/2006
EP 1452455 9/2004

(Continued)

(73) Assignee: **Camcal Enterprises, LLC**, Phoenix,
AZ (US)

OTHER PUBLICATIONS

(**) Term: **15 Years**

US D774,840 S, 12/2016, Seiders et al. (withdrawn)
US D775,903 S, 01/2017, Seiders et al. (withdrawn)

(21) Appl. No.: **29/670,065**

Primary Examiner — Terry A Wallace

(22) Filed: **Nov. 13, 2018**

(74) *Attorney, Agent, or Firm* — Quarles & Brady LLP

(51) **LOC (11) Cl.** **07-01**

(57) **CLAIM**

(52) **U.S. Cl.**
USPC **D7/608; D7/510**

The ornamental design for a container enclosure, as shown
and described.

(58) **Field of Classification Search**
USPC D7/605–608, 509, 510, 511;
D9/500–505, 443, 516, 532, 522, 558
CPC A47G 19/2205; A47G 2019/2294; A47G
19/23; A47G 19/2272; A47J 41/02; A47J
41/022; A47J 41/024; A47J 41/026; A47J
41/028; A47J 41/00; A47J 41/0077; B65D
81/3823; B65D 81/3818; B65D 81/3846;
A45C 11/20

DESCRIPTION

See application file for complete search history.

FIG. 1 is an isometric view of a front, top, and right side of
an ornamental design for a container enclosure;
FIG. 2 is a front elevational view of the container enclosure
of FIG. 1;
FIG. 3 is a rear elevational view of the container enclosure
of FIG. 1;
FIG. 4 is a right side elevational view of the container
enclosure of FIG. 1;
FIG. 5 is a left side elevational view of the container
enclosure of FIG. 1;
FIG. 6 is a top plan view of the container enclosure of FIG.
1; and,
FIG. 7 is a bottom plan view of the container enclosure of
FIG. 1.

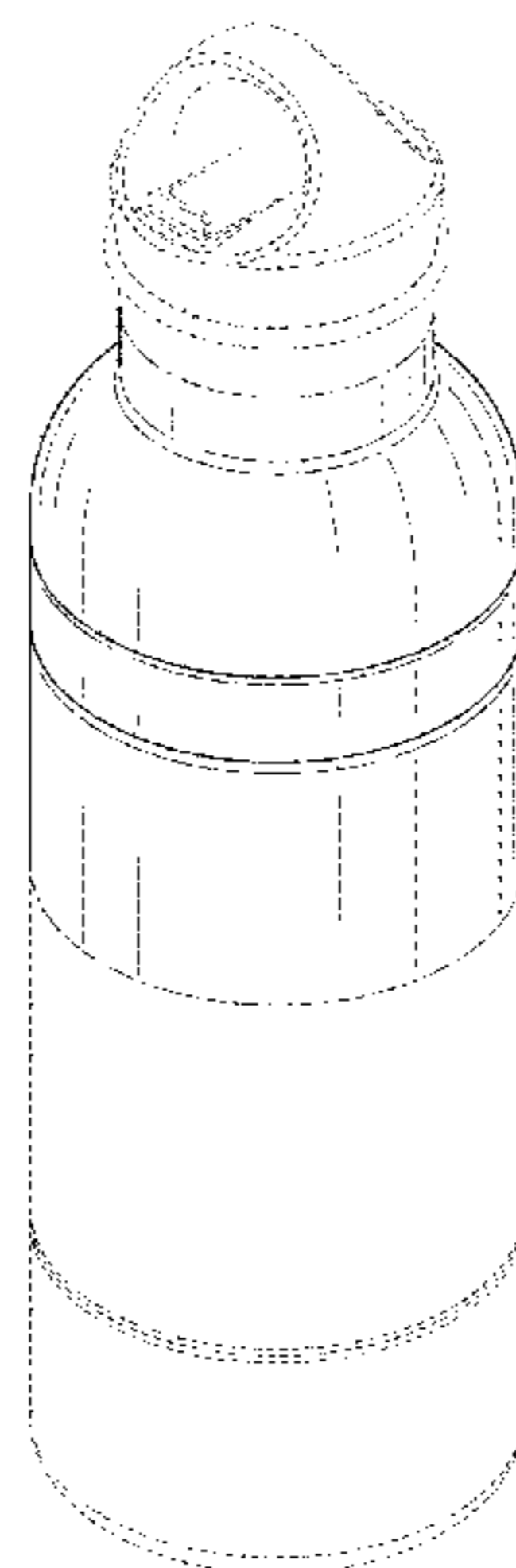
The dash-dash-dash lines are for the purpose of illustrating
environmental structure and form no part of the claimed
design. The dash-dot-dash lines form no part of the claimed
design and represent boundary lines.

(56) **References Cited**

U.S. PATENT DOCUMENTS

2,963,187 A * 12/1960 Bramming A47J 41/02
215/12.1
4,510,769 A * 4/1985 McClellan, Jr. ... B65D 81/3879
215/12.1
5,745,626 A 4/1998 Duck et al.
D410,548 S 6/1999 Chomik
6,604,649 B1 * 8/2003 Campi B65D 81/3886
220/592.17

1 Claim, 4 Drawing Sheets



(56)

References Cited

U.S. PATENT DOCUMENTS

D547,610 S 7/2007 Edelstein
 D553,914 S 10/2007 Wahl
 D573,390 S 7/2008 Ablo
 D586,186 S 9/2009 Bhavnani
 D604,561 S 11/2009 Chisholm
 D615,823 S 5/2010 Gilbert
 D619,418 S 7/2010 Nezu
 D621,220 S 8/2010 Lown
 D624,362 S 9/2010 Wahl
 D626,416 S * 11/2010 Cresswell D7/510
 D627,227 S 11/2010 Andis
 D628,486 S 12/2010 Lane
 D632,522 S 2/2011 Wahl et al.
 D632,524 S 2/2011 Rosbach et al.
 D633,338 S 3/2011 Rosbach et al.
 D635,457 S * 4/2011 Lane D7/511
 D640,494 S 6/2011 Frederiksen
 D648,984 S 11/2011 Gullickson et al.
 D651,853 S 1/2012 Eyal
 D652,255 S 1/2012 Carland
 D652,682 S 1/2012 Eyal
 D653,081 S 1/2012 George
 D655,581 S 3/2012 Kotani
 D656,025 S 3/2012 Carreno
 D657,196 S 4/2012 Beyers, III
 D658,450 S 5/2012 Ying
 D658,944 S 5/2012 Gilbert et al.
 D660,081 S 5/2012 Gilbert
 D661,945 S 6/2012 Eyal
 D662,767 S 7/2012 Hotell et al.
 D670,525 S 11/2012 Fallon et al.
 D672,609 S 12/2012 Aziz et al.
 D675,882 S 2/2013 Crockett
 D676,708 S 2/2013 Lane
 D687,677 S 8/2013 Sturgess
 D689,332 S 9/2013 Krasner
 D691,420 S 10/2013 McIntire
 D691,849 S 10/2013 Cetera et al.
 D693,170 S 11/2013 Rosbach
 D695,069 S 12/2013 Lane
 D695,138 S 12/2013 Ball
 D696,118 S 12/2013 Lindstrom
 D696,900 S 1/2014 George et al.
 D696,945 S 1/2014 Newman
 D699,516 S 2/2014 Kim et al.
 D700,802 S 3/2014 Miller
 D700,808 S 3/2014 Eyal
 D702,086 S 4/2014 Thurlow
 D702,092 S * 4/2014 Mettler D7/608
 D702,506 S * 4/2014 Mettler D7/608
 D705,063 S 5/2014 Weiss
 D706,032 S 6/2014 Roth et al.
 D710,155 S 8/2014 Tatsukawa
 D716,653 S 11/2014 Balembois
 D724,385 S 3/2015 Hurley et al.
 D725,968 S 4/2015 George
 D726,476 S 4/2015 Ercanbrack
 D727,171 S 4/2015 Marina et al.
 D727,671 S 4/2015 Gamelli
 D736,563 S 8/2015 George
 D737,144 S 8/2015 Hughes et al.
 D740,609 S 10/2015 Ayres
 D741,655 S 10/2015 Whelan et al.
 D743,741 S 11/2015 Itzhaki
 D758,132 S 6/2016 Breit
 D758,800 S 6/2016 Hayslett et al.
 D761,624 S 7/2016 McLean et al.
 D771,357 S 11/2016 Brewer

D772,014 S 11/2016 Ayres
 9,505,527 B1 * 11/2016 Campbell B65D 41/04
 D774,837 S 12/2016 Seiders et al.
 D779,273 S 2/2017 Lee et al.
 D779,881 S 2/2017 Lee et al.
 D780,530 S 3/2017 Seiders et al.
 D780,531 S 3/2017 Seiders et al.
 D780,532 S 3/2017 Seiders et al.
 D780,533 S 3/2017 Seiders et al.
 D781,662 S 3/2017 Seiders et al.
 D782,881 S 4/2017 Seiders et al.
 D784,775 S 4/2017 Seiders et al.
 D785,412 S 5/2017 Petre
 D786,012 S 5/2017 Hein et al.
 D786,617 S 5/2017 Breit
 D787,886 S 5/2017 Cerasani
 D787,893 S 5/2017 Seiders et al.
 D787,894 S 5/2017 Seiders et al.
 9,637,270 B2 5/2017 Campbell
 D788,544 S 6/2017 Seiders et al.
 D789,796 S 6/2017 McSweeney et al.
 D790,285 S 6/2017 Seiders et al.
 D794,397 S 8/2017 Seiders et al.
 D795,019 S 8/2017 Seiders et al.
 D795,020 S 8/2017 Seiders et al.
 D799,900 S 10/2017 Santos et al.
 D799,906 S 10/2017 Seiders et al.
 D799,907 S 10/2017 Seiders et al.
 D799,908 S 10/2017 Seiders et al.
 D800,502 S 10/2017 Weernink
 D803,064 S 11/2017 Marina et al.
 D803,632 S 11/2017 Seiders et al.
 D804,906 S 12/2017 Diener et al.
 D805,852 S 12/2017 Seiders et al.
 D806,477 S 1/2018 Wray et al.
 D808,220 S 1/2018 Burns et al.
 D809,920 S 2/2018 Maple
 D811,817 S 3/2018 Harrington, III et al.
 D811,818 S 3/2018 Wu
 D814,241 S 4/2018 Nickley et al.
 D814,865 S 4/2018 Breit
 D816,411 S 5/2018 Stover
 D817,713 S 5/2018 Lin
 D817,714 S 5/2018 Breit
 D821,138 S 6/2018 Silsby et al.
 D824,218 S 7/2018 Seiders et al.
 D828,094 S 9/2018 Jackson et al.
 D828,095 S 9/2018 Jackson et al.
 D829,056 S 9/2018 Wall
 D829,058 S 9/2018 Seiders et al.
 D830,784 S 10/2018 Moore et al.
 D831,436 S 10/2018 Seiders et al.
 10,118,735 B2 11/2018 Campbell
 2005/0224442 A1 10/2005 White
 2007/0051687 A1 3/2007 Olson
 2007/0119517 A1 5/2007 Grace
 2010/0084362 A1 4/2010 Letchinger
 2011/0011823 A1 1/2011 Moore
 2011/0204048 A1 * 8/2011 Carino A45F 3/18
 220/4.03
 2012/0199548 A1 8/2012 Kitto
 2013/0153591 A1 6/2013 Grimes
 2015/0021346 A1 * 1/2015 Cappuccio A45F 5/00
 220/735

FOREIGN PATENT DOCUMENTS

JP 2008030773 2/2008
 KR 2010000510 1/2010
 TW 460607 9/2013

* cited by examiner

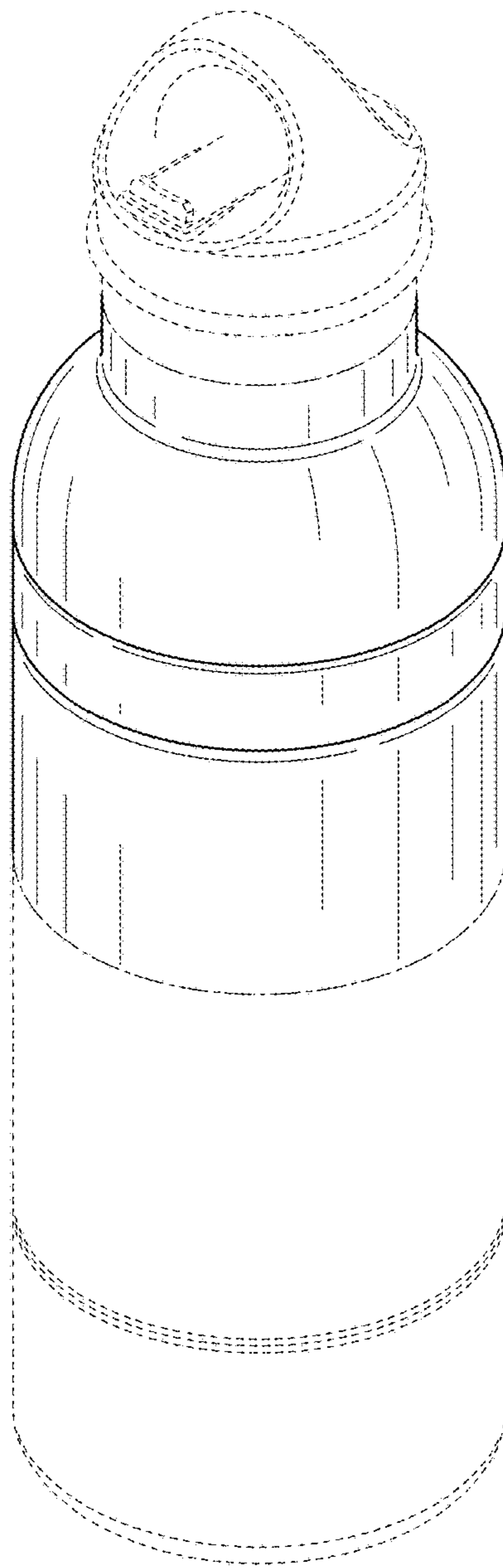


FIG. 1

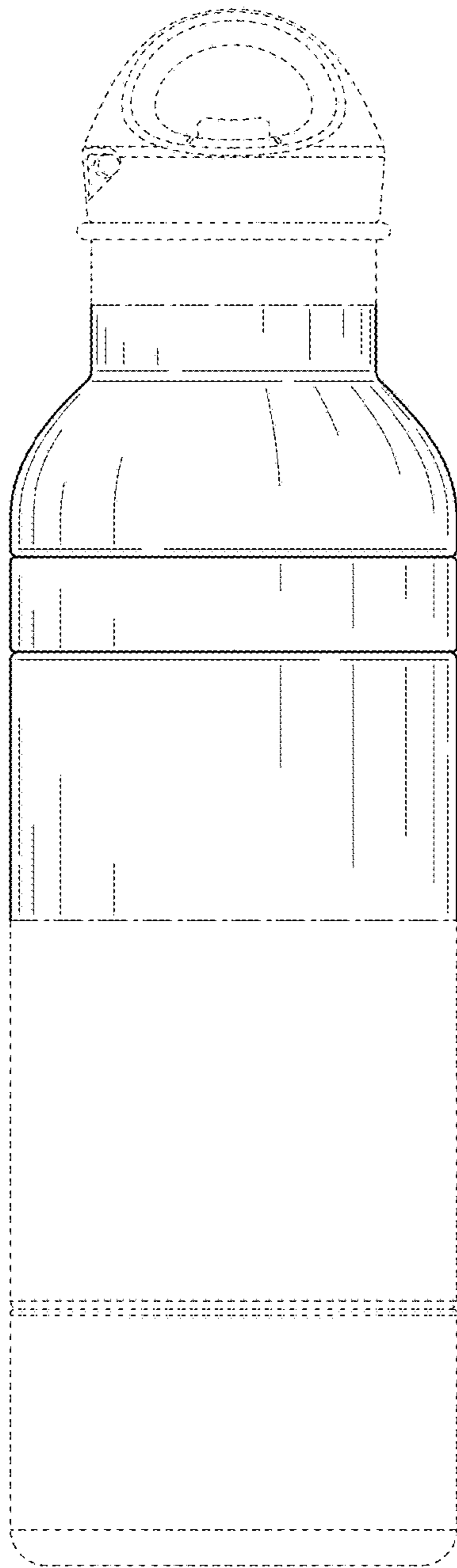


FIG. 2

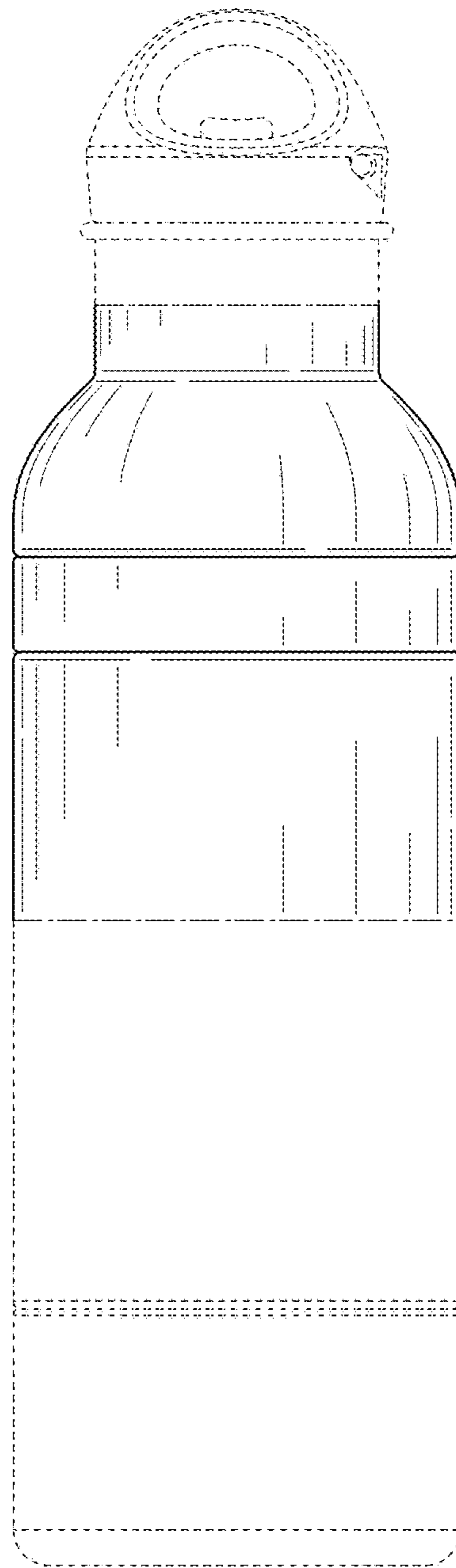


FIG. 3

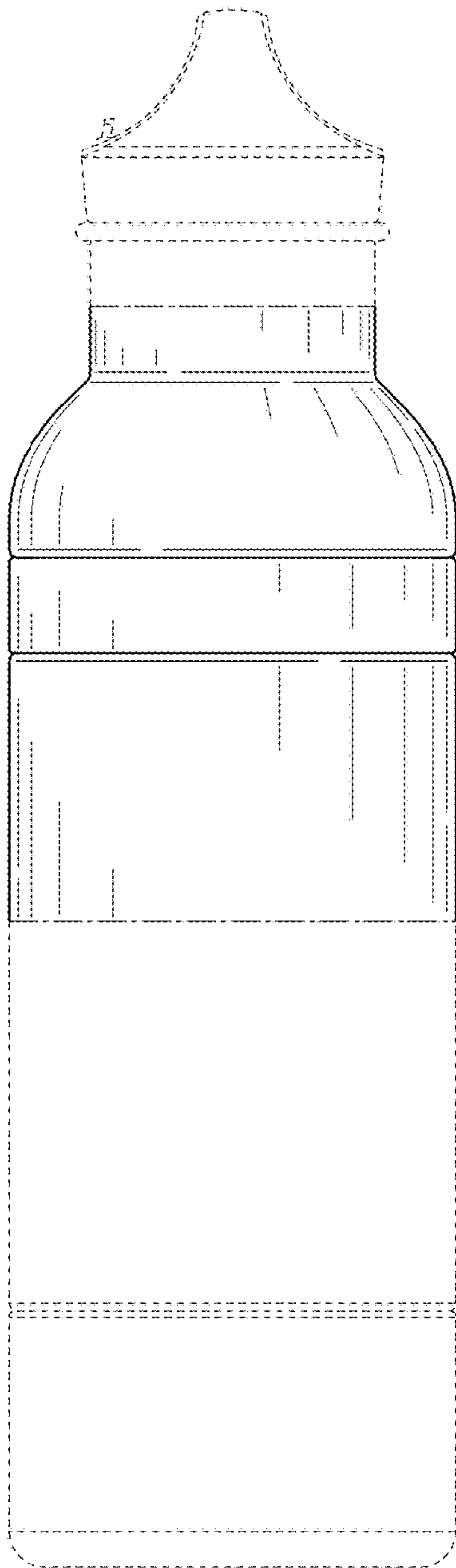


FIG. 4

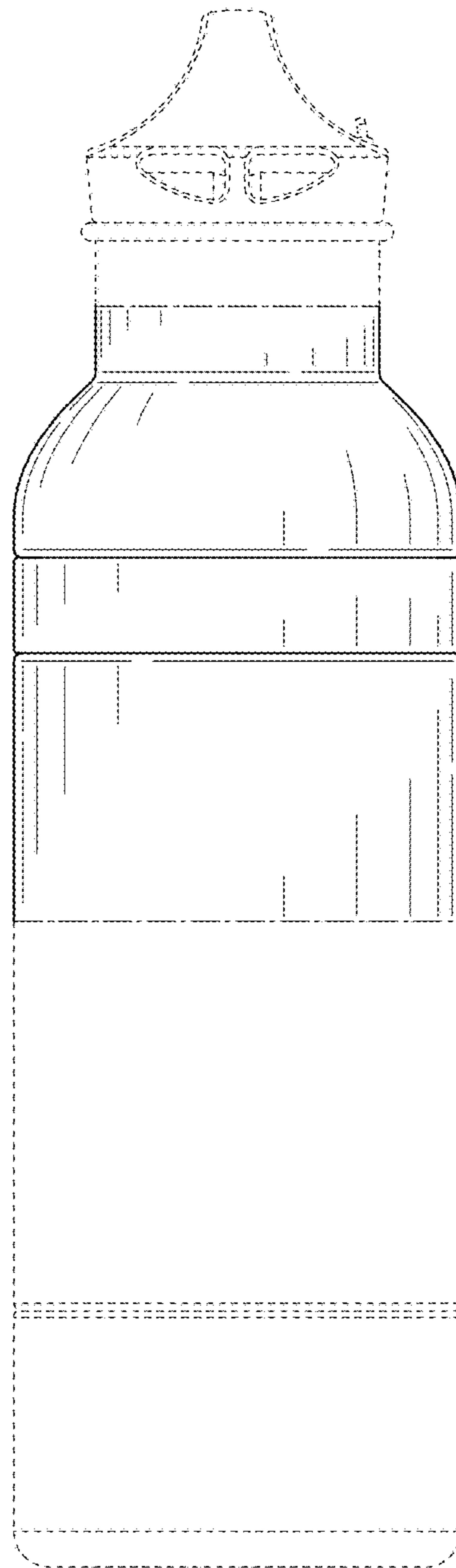


FIG. 5

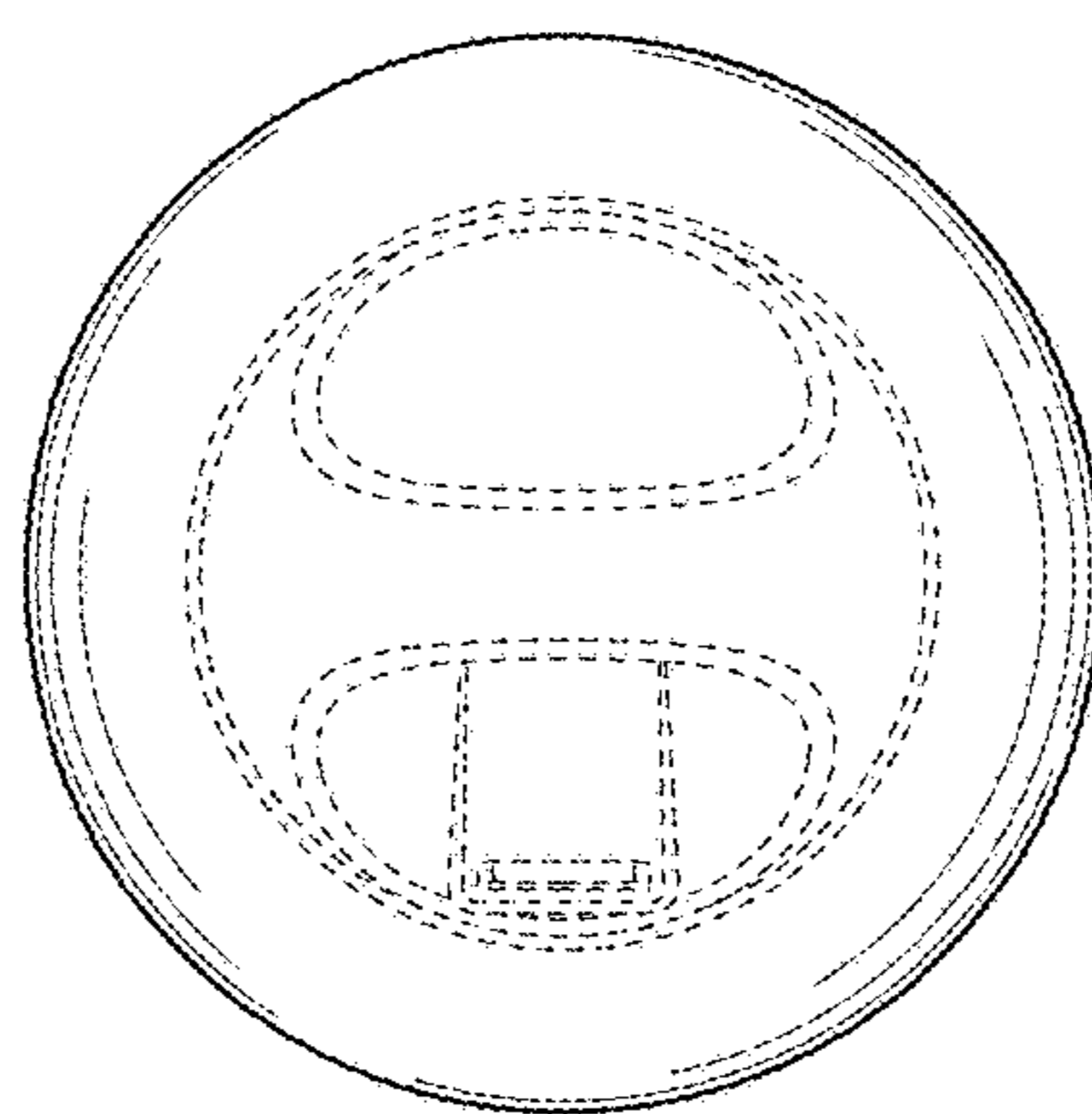


FIG. 6

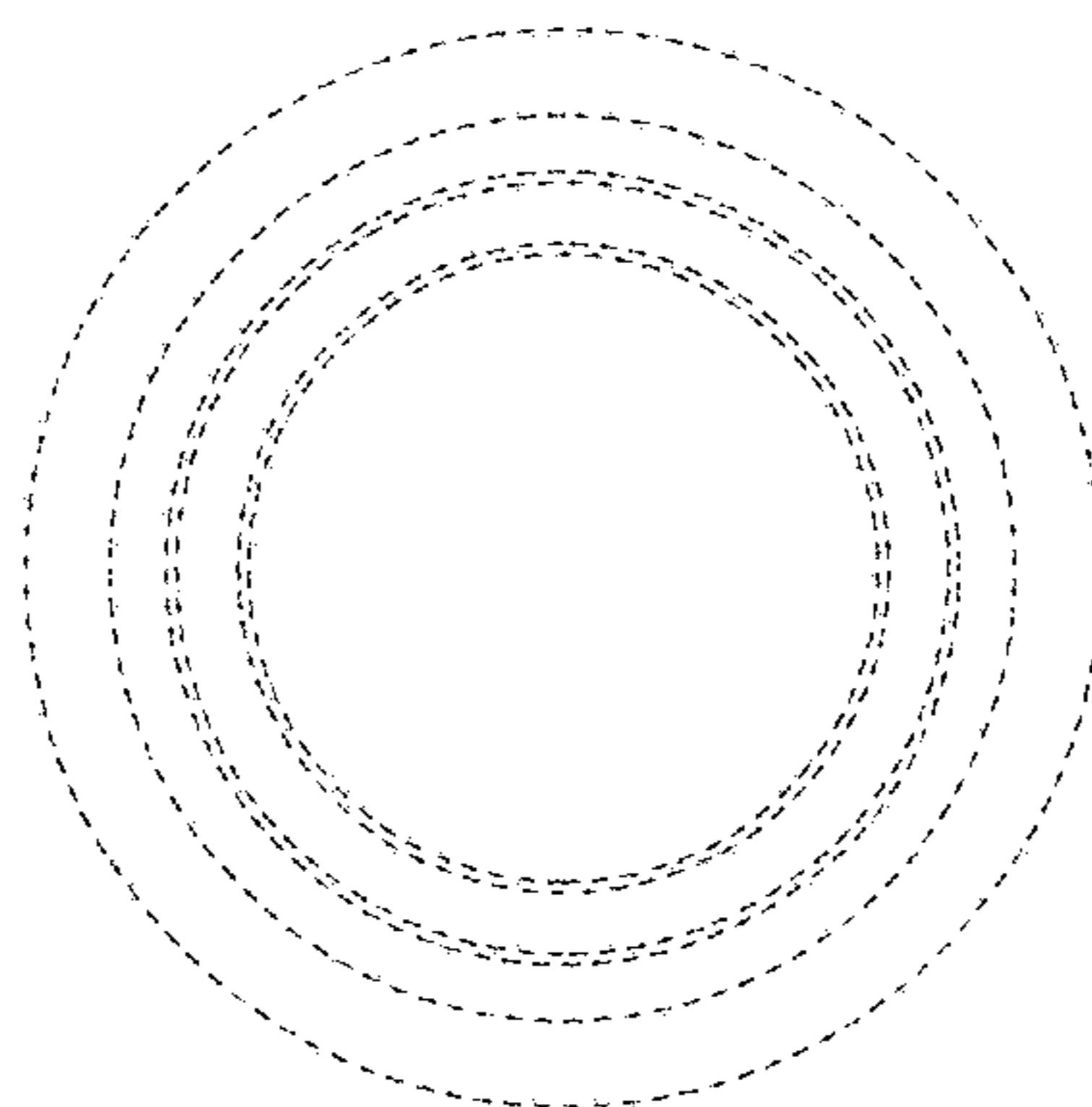


FIG. 7