



US00D852000S

(12) **United States Design Patent** (10) **Patent No.:** **US D852,000 S**  
**Zou** (45) **Date of Patent:** **\*\* Jun. 25, 2019**

(54) **SEGMENTED CONTAINER**  
(71) Applicant: **RFCM INC.**, Aliso Viejo, CA (US)  
(72) Inventor: **James Zou**, Aliso Viejo, CA (US)  
(73) Assignee: **RFCM Inc.**, Aliso Viejo, CA (US)  
(\*\*) Term: **15 Years**  
(21) Appl. No.: **29/591,742**  
(22) Filed: **Jan. 23, 2017**  
(51) **LOC (11) Cl.** ..... **07-01**  
(52) **U.S. Cl.**  
USPC ..... **D7/608**; D7/511  
(58) **Field of Classification Search**  
USPC ..... D7/605, 606, 607, 608, 509, 510, 511,  
D7/523, 533, 536, 629, 622, 619.1, 630,  
D7/709, 614, 703, 705, 505, 507;  
D9/502, 504, 529  
CPC .... A45J 41/00; A45J 41/0005; A45J 41/0011;  
A45J 41/0016; A45J 41/0027; A45J  
41/0061; A45J 41/0066; A45J 41/0072;  
B65D 81/3837; B65D 81/3876  
See application file for complete search history.

(56) **References Cited**  
U.S. PATENT DOCUMENTS  
3,067,896 A \* 12/1962 Berg ..... A47J 41/028  
215/10  
5,086,926 A \* 2/1992 Paige ..... A47J 41/02  
206/542  
D327,818 S \* 7/1992 Haralson ..... D24/197  
D417,127 S \* 11/1999 Steadward ..... D7/608  
D456,266 S \* 4/2002 Cross ..... D9/504  
D467,503 S \* 12/2002 Silvers ..... D9/502  
D477,230 S \* 7/2003 Takaichi ..... D9/502  
D518,725 S \* 4/2006 Eble ..... D9/502  
D570,217 S \* 6/2008 Meillerais ..... D9/502  
D581,272 S \* 11/2008 Yourist ..... D9/502  
D620,798 S \* 8/2010 Cresswell ..... D9/443

D635,457 S \* 4/2011 Lane ..... D7/511  
D675,100 S \* 1/2013 Herbst ..... D7/511  
D686,885 S \* 7/2013 Meyers ..... D7/629  
(Continued)

**OTHER PUBLICATIONS**

Amazon, "Iconiq Stainless Steel Vacuum Insulated Water Bottle",  
First review Feb. 15, 2016. (<https://www.amazon.com/dp/B01BFX24XG/>).\*  
(Continued)

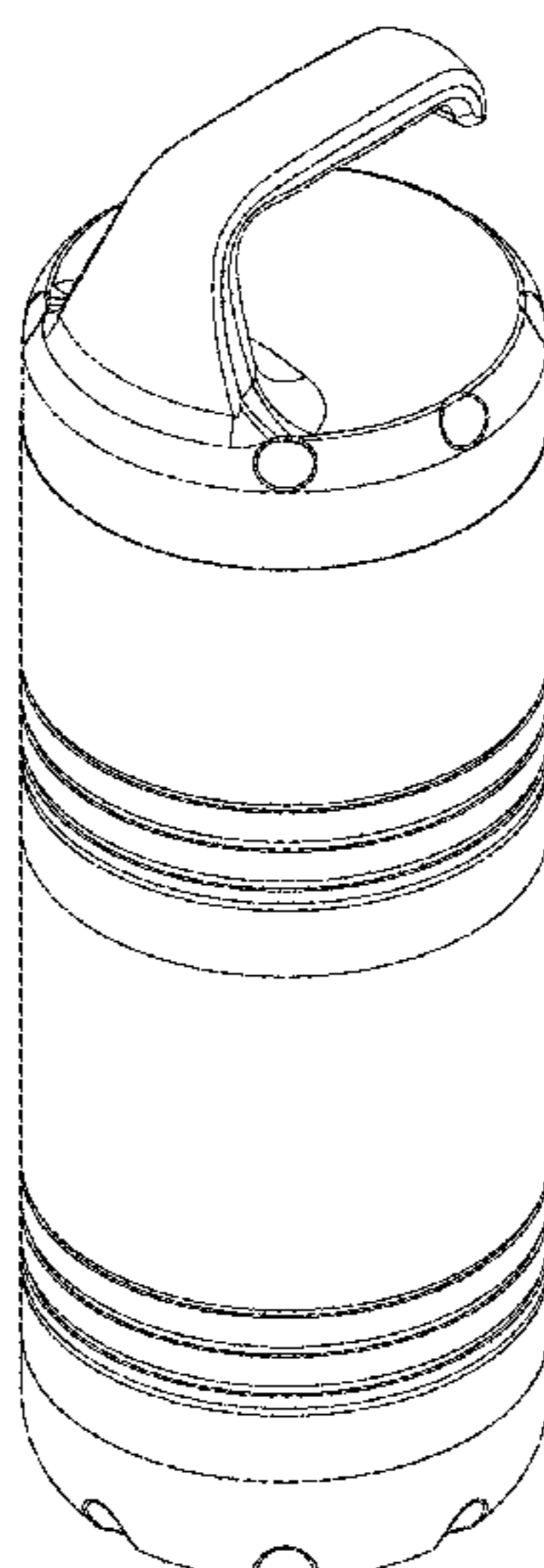
*Primary Examiner* — Jennifer Rivard  
*Assistant Examiner* — April Rivas  
(74) *Attorney, Agent, or Firm* — Entralta P.C.; Justin G.  
Sanders; Peter D. Weinstein

(57) **CLAIM**  
The ornamental design for a segmented container, as shown  
and described.

**DESCRIPTION**

FIG. 1 is a perspective view of the segmented container;  
FIG. 2 is a cross-sectional view of the segmented container,  
taken along line 2-2 in FIG. 7;  
FIG. 3 is a front view of the segmented container shown in  
FIG. 1;  
FIG. 4 is a back view of the segmented container shown  
FIG. 1;  
FIG. 5 is a left view of the segmented container shown in  
FIG. 1;  
FIG. 6 is a right view of the segmented container shown in  
FIG. 1;  
FIG. 7 is a top view of the segmented container shown in  
FIG. 1; and,  
FIG. 8 is a bottom view of the segmented container shown  
in FIG. 1.  
The broken lines shown are included only for the purpose of  
illustrating unclaimed portions of the segmented container  
and form no part of the claimed design.

**1 Claim, 6 Drawing Sheets**



(56)

**References Cited**

## U.S. PATENT DOCUMENTS

D742,699 S \* 11/2015 Boroski ..... D7/608  
 D756,786 S \* 5/2016 Bedoya ..... D9/502  
 D784,766 S \* 4/2017 Sawyer ..... D7/510  
 D796,261 S \* 9/2017 Khalifa ..... D7/392.1  
 D799,266 S \* 10/2017 Schroedter ..... D7/507  
 D804,254 S \* 12/2017 Seiders ..... D7/608  
 D804,311 S \* 12/2017 Ruprecht ..... D9/516  
 D806,568 S \* 1/2018 Chen ..... D9/719  
 D808,220 S \* 1/2018 Burns ..... D7/510  
 D808,226 S \* 1/2018 Bradley ..... D7/608  
 D809,921 S \* 2/2018 Nakkouri ..... D9/502  
 D813,041 S \* 3/2018 Staab ..... D9/522  
 2017/0073110 A1 \* 3/2017 Campbell ..... B65D 41/04  
 2018/0078093 A1 \* 3/2018 Petrillo ..... B65D 25/28

## OTHER PUBLICATIONS

Kickstarter, “Iconiq Qore—The Stackable Insulated Food Container”, Project launch Mar. 10, 2017. (<https://www.kickstarter.com/projects/iconiq/iconiq-qore-the-stackable-insulated-food-container/description>).\*

Amazon, “BlenderBottle GoStak Twist n’ Lock Storage Jars”, First on sale Jun. 26, 2013. (<https://www.amazon.com/dp/B00E574T7E>).\*

KnGLuv, Food Storage Container, Website, taken from the Internet at least as early as Mar. 8, 2017, <URL:<http://kngluv.com/foodstoragecontainer/>>.

Bentgo, Bentgo All-in-one Stackable Bento Lunch Box, Website, taken from the Internet at least as early as Mar. 8, 2017, <URL:<https://bentgo.com/products/bentgo?variant=727065243>>.

Thermos, Dual Compartment Food Jar, Website, taken from the Internet at least as early as Mar. 8, 2017, <URL: <http://www.thermos.com/products/dual-compartment-food-jar.aspx>>.

\* cited by examiner

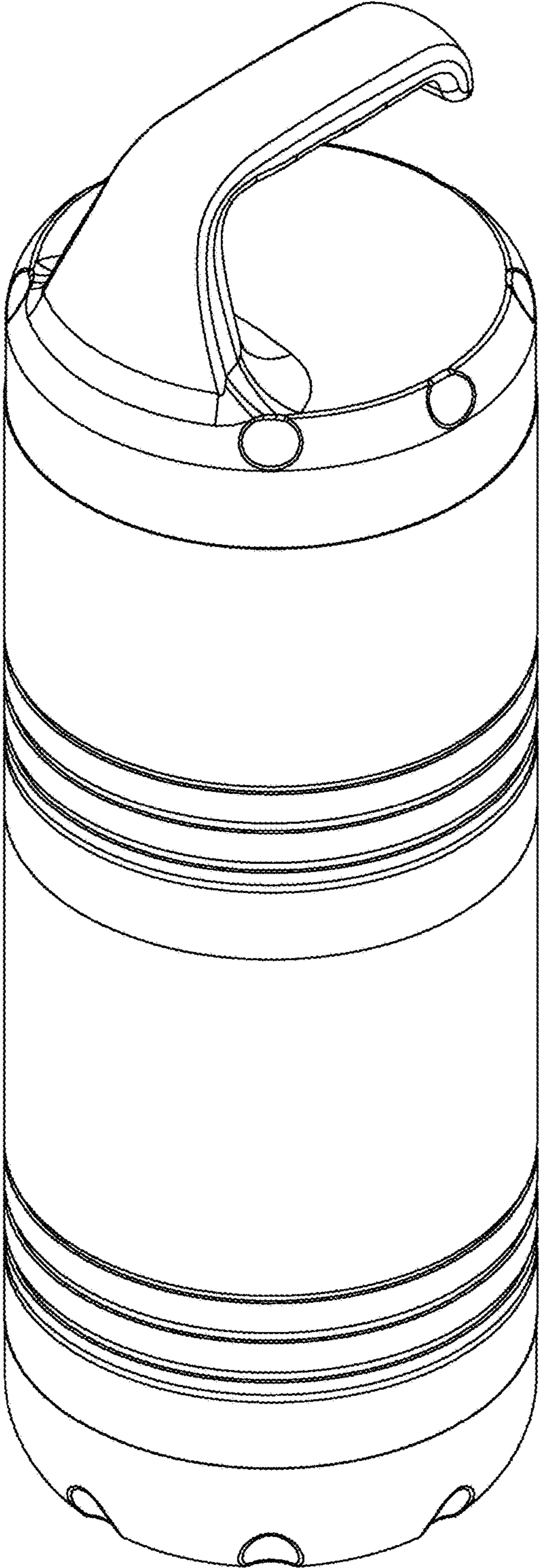


FIG 1

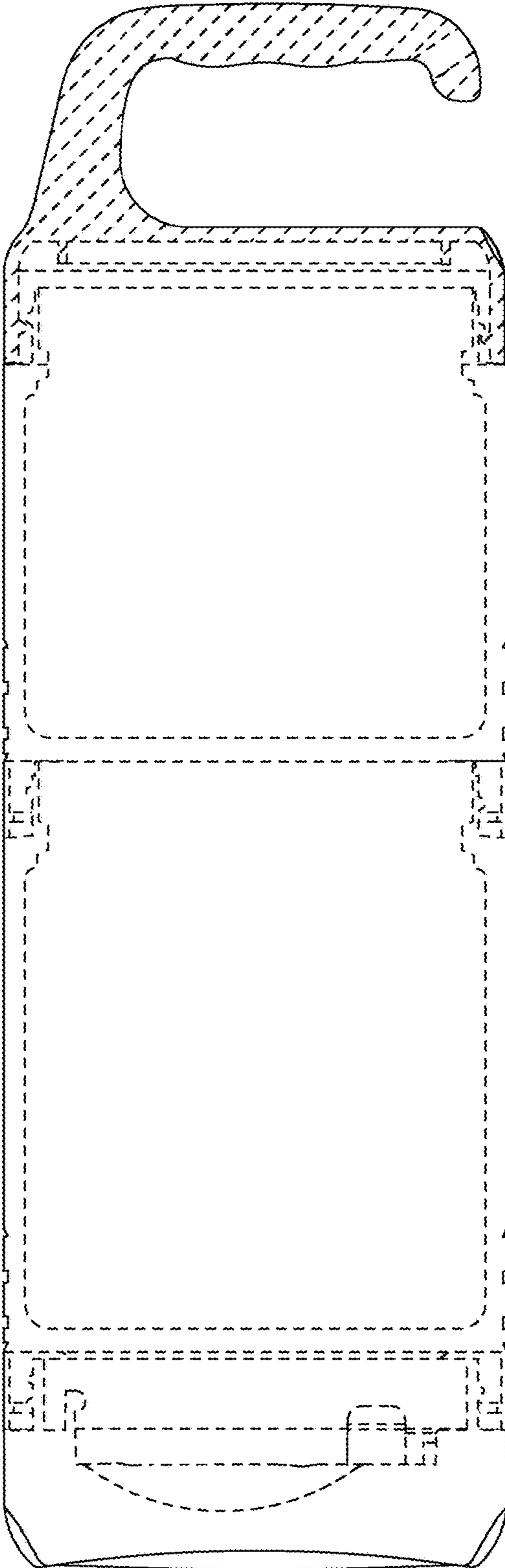


FIG 2

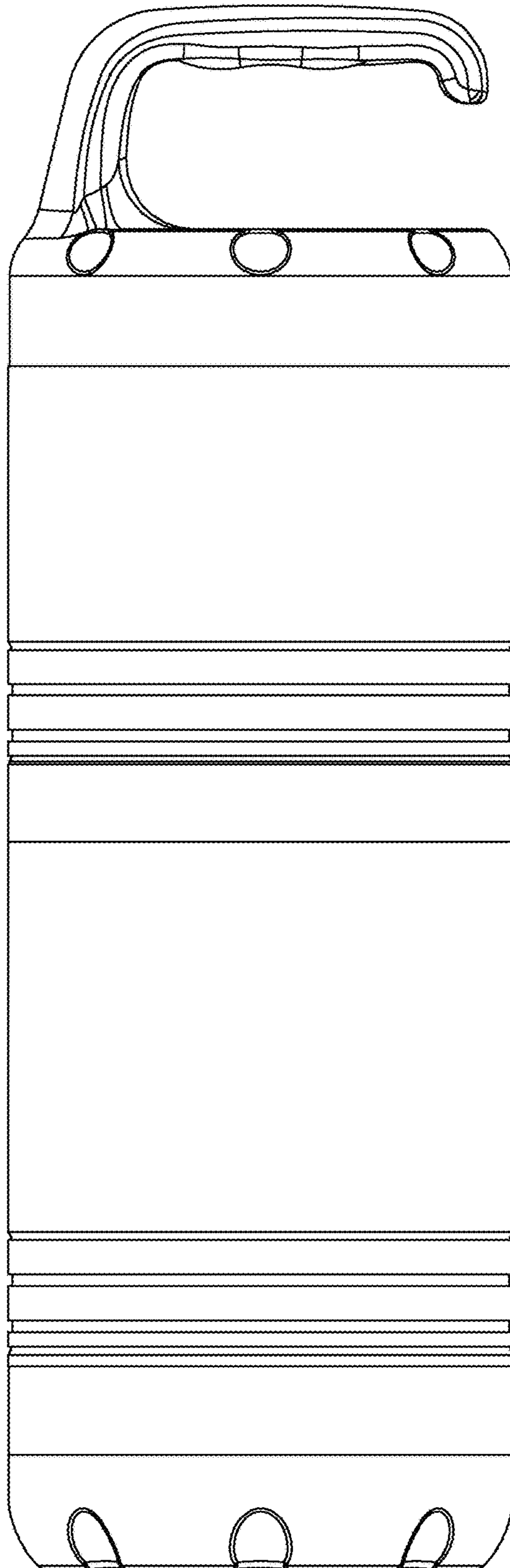


FIG 3

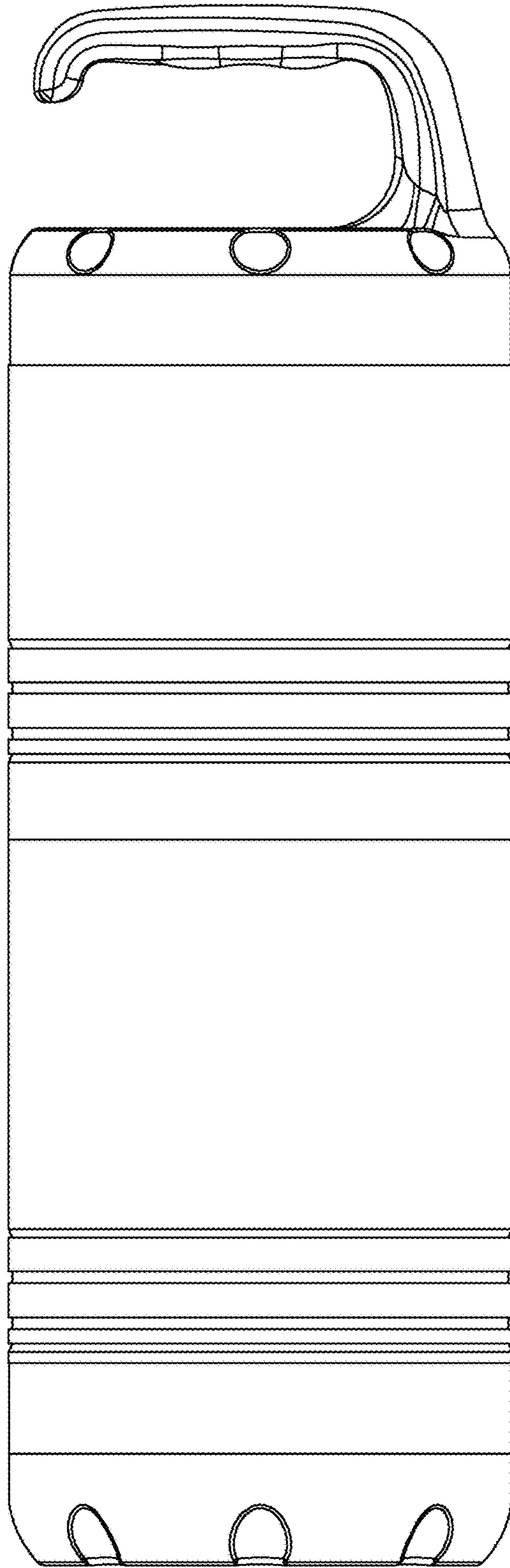


FIG 4

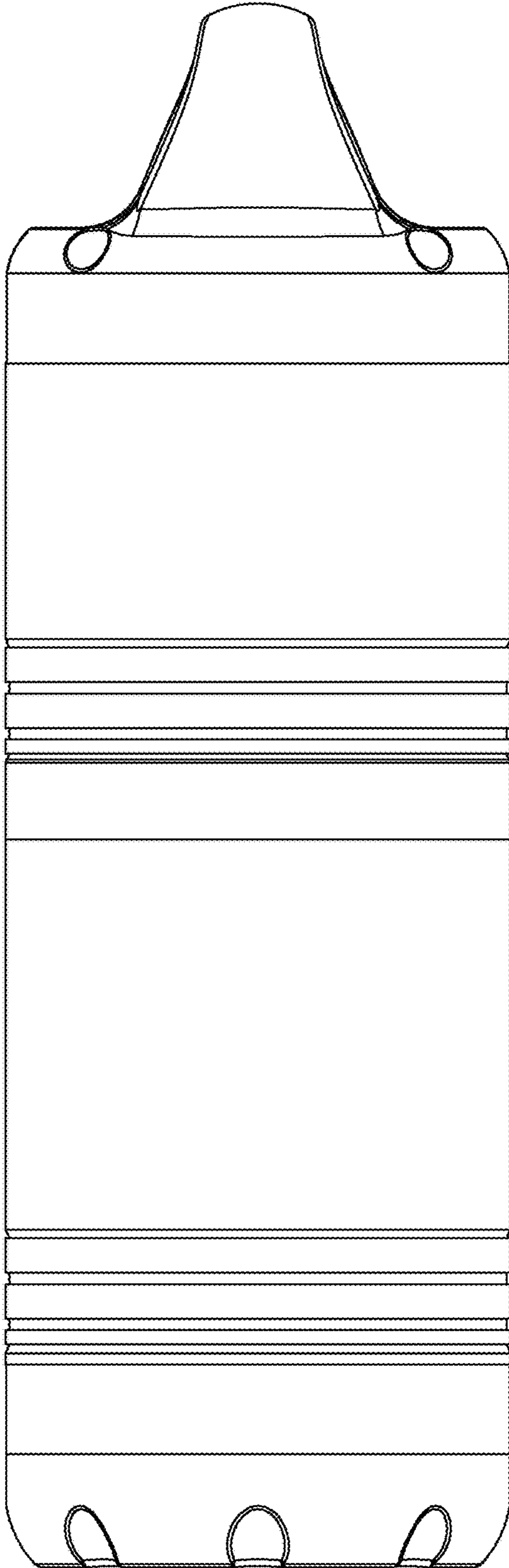


FIG 5

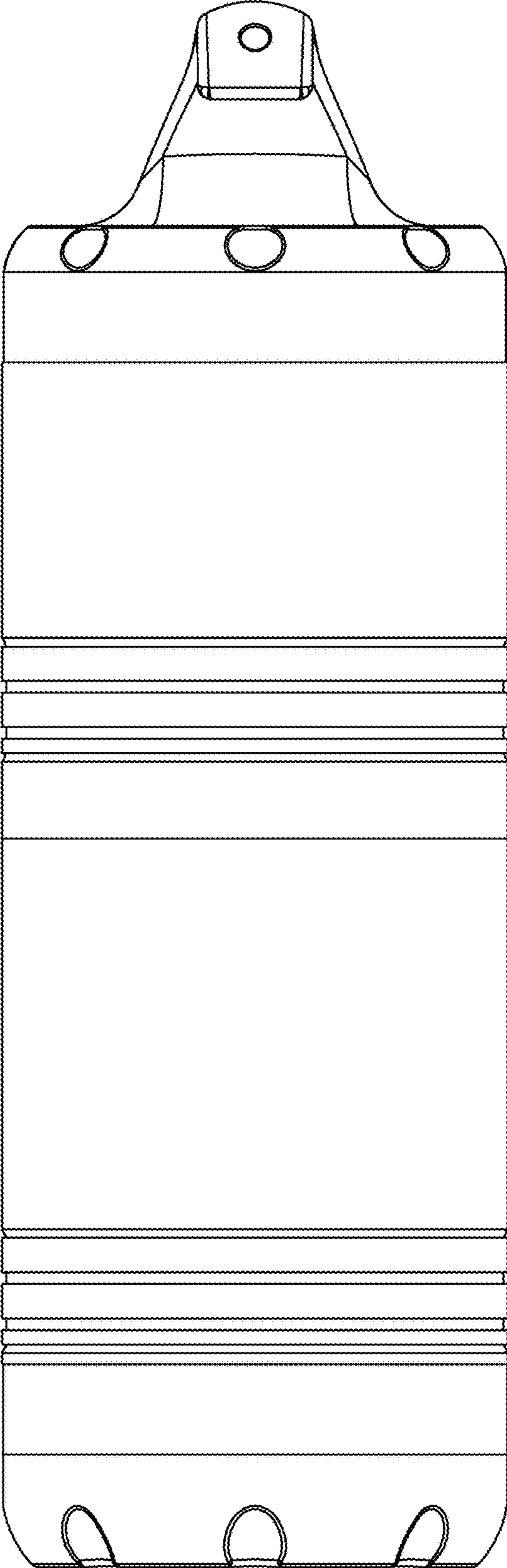


FIG 6