



US00D851999S

(12) **United States Design Patent** (10) **Patent No.:** **US D851,999 S**
Goodman et al. (45) **Date of Patent:** **** Jun. 25, 2019**

(54) **HOLDER**

(71) Applicant: **Spectrum Diversified Designs, LLC**,
Streetsboro, OH (US)

(72) Inventors: **Aaron Goodman**, Beachwood, OH
(US); **Courtney Wilson**, Chardon, OH
(US)

(73) Assignee: **SPECTRUM DIVERSIFIED
DESIGNS, LLC**, Streetsboro, OH (US)

(**) Term: **15 Years**

(21) Appl. No.: **29/630,738**

(22) Filed: **Dec. 22, 2017**

(51) **LOC (11) Cl.** **06-04**

(52) **U.S. Cl.**
USPC **D7/601**; D6/566

(58) **Field of Classification Search**
USPC D7/601, 704; D3/304–308, 309, 315,
D3/201; D6/525, 513, 566
CPC A47J 47/16; A47B 73/00; A47B 73/002;
A47B 55/02; A47B 23/00; A47B 41/06;
A47F 5/0006; A47F 5/00; A47F 5/08;
A47F 5/14; A47F 7/00; A47D 15/00;
A45D 19/04; A47G 19/08; A47G 23/02
See application file for complete search history.

(56) **References Cited**

U.S. PATENT DOCUMENTS

5,379,536 A * 1/1995 Lorenzana D06F 81/006
108/31
D364,297 S * 11/1995 Daniel D3/306

D438,042 S * 2/2001 Hofman D3/306
D497,070 S * 10/2004 Tipping D6/566
D577,237 S * 9/2008 Goodman D6/566
D584,056 S * 1/2009 Ghiorghie D3/304
D718,054 S * 11/2014 Goodman D3/306
D762,421 S 8/2016 Goodman et al.
D784,771 S 4/2017 Goodman et al.

* cited by examiner

Primary Examiner — Terry A Wallace

(74) *Attorney, Agent, or Firm* — Tucker Ellis LLP

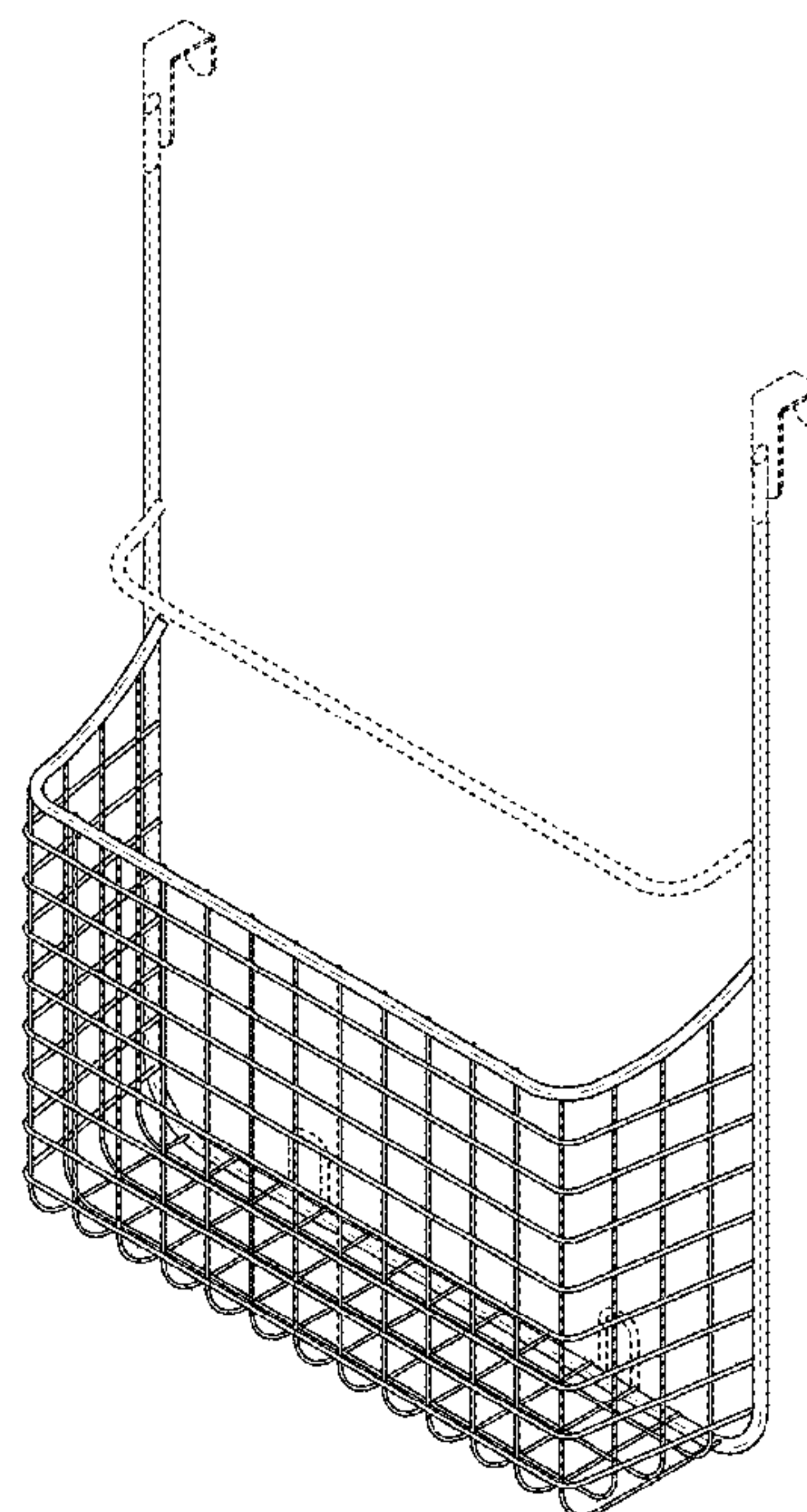
(57) **CLAIM**

The ornamental design for a holder, as shown and described.

DESCRIPTION

FIG. 1 is a perspective view of a holder showing our new design.
FIG. 2 is a front view thereof.
FIG. 3 is a rear view thereof.
FIG. 4 is a right side view thereof.
FIG. 5 is a left side view thereof.
FIG. 6 is a top view thereof; and,
FIG. 7 is a bottom view thereof.
The broken lines show portions of the design that form no part of the claimed design.

1 Claim, 5 Drawing Sheets



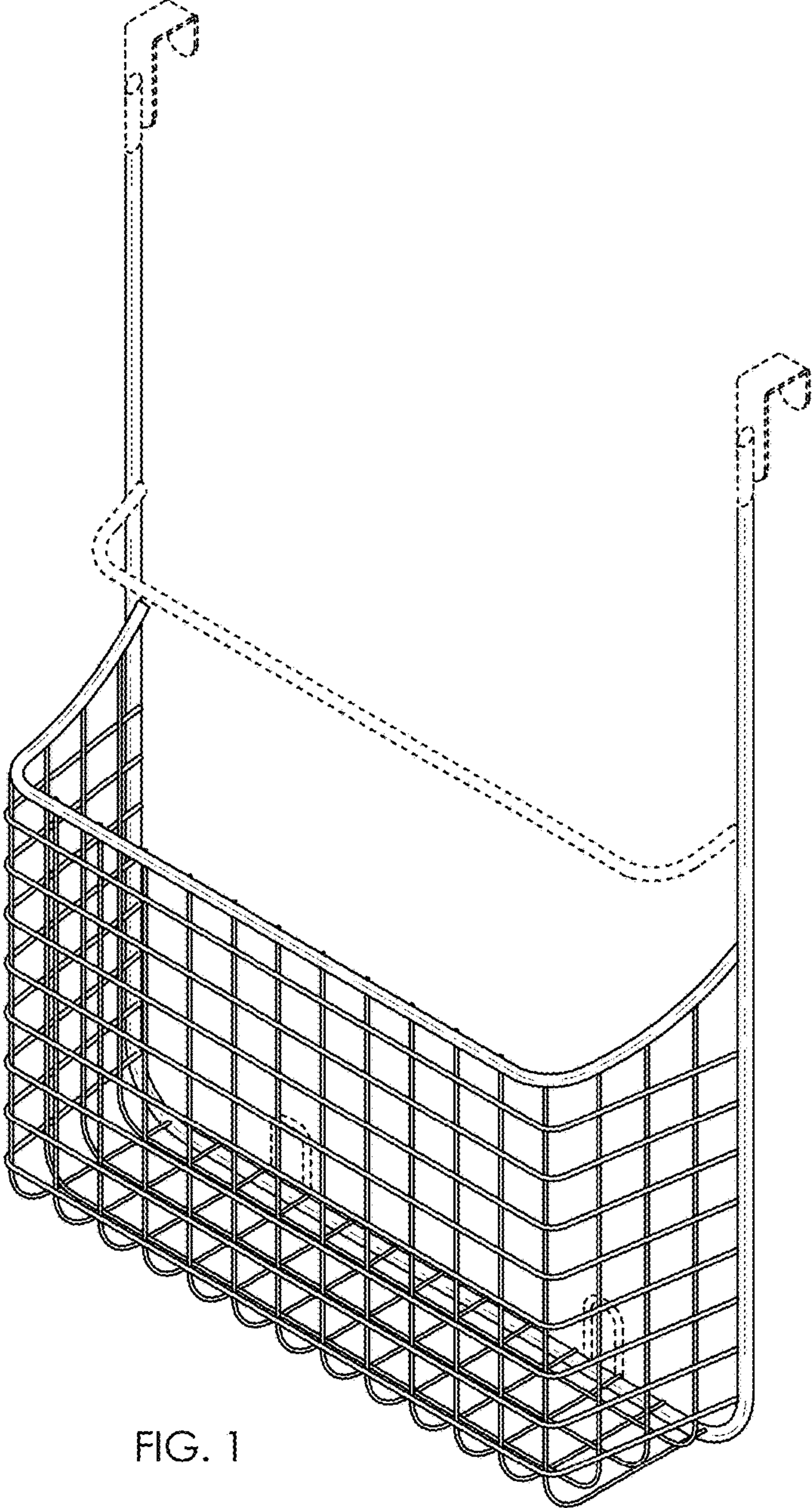


FIG. 1

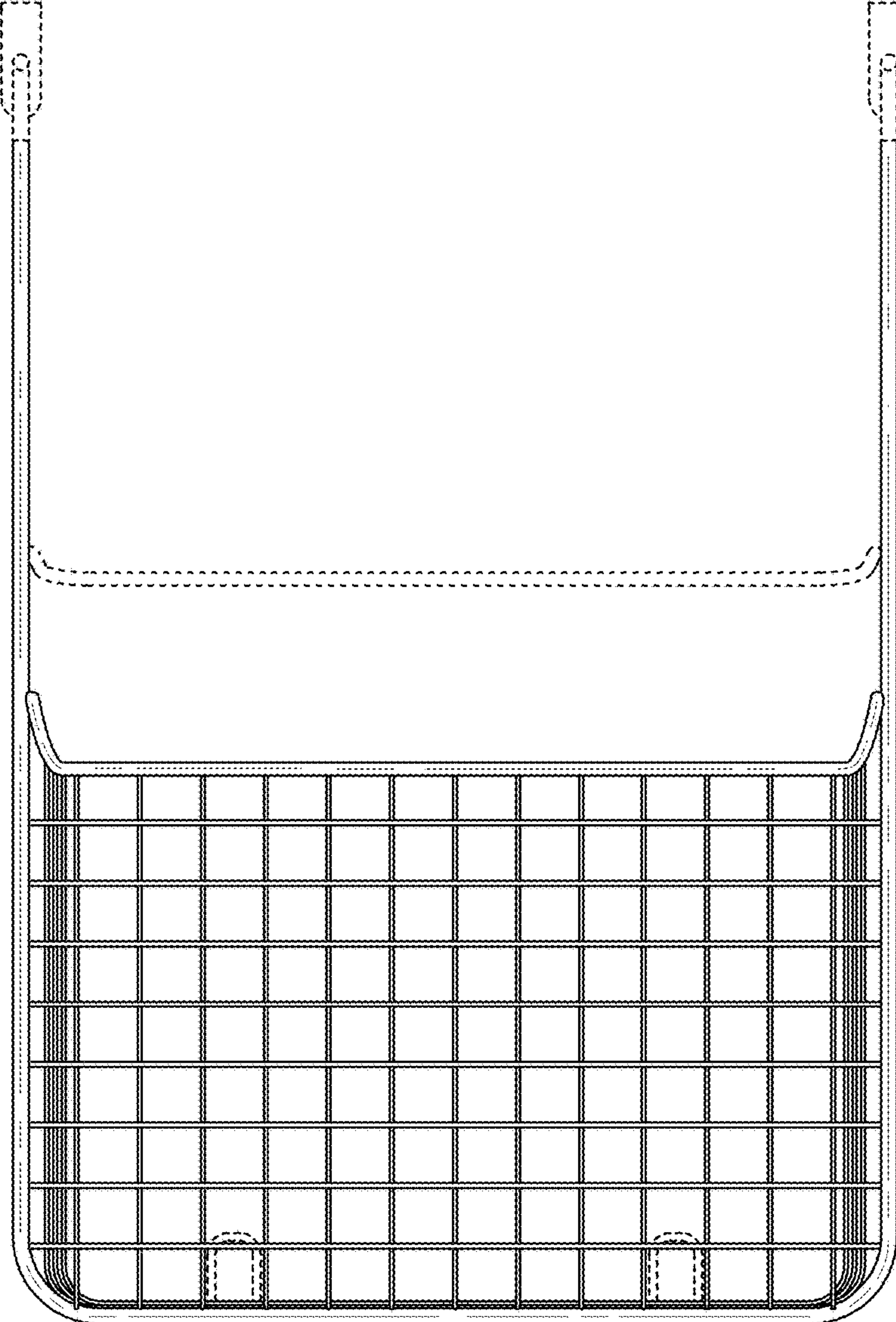


FIG. 2

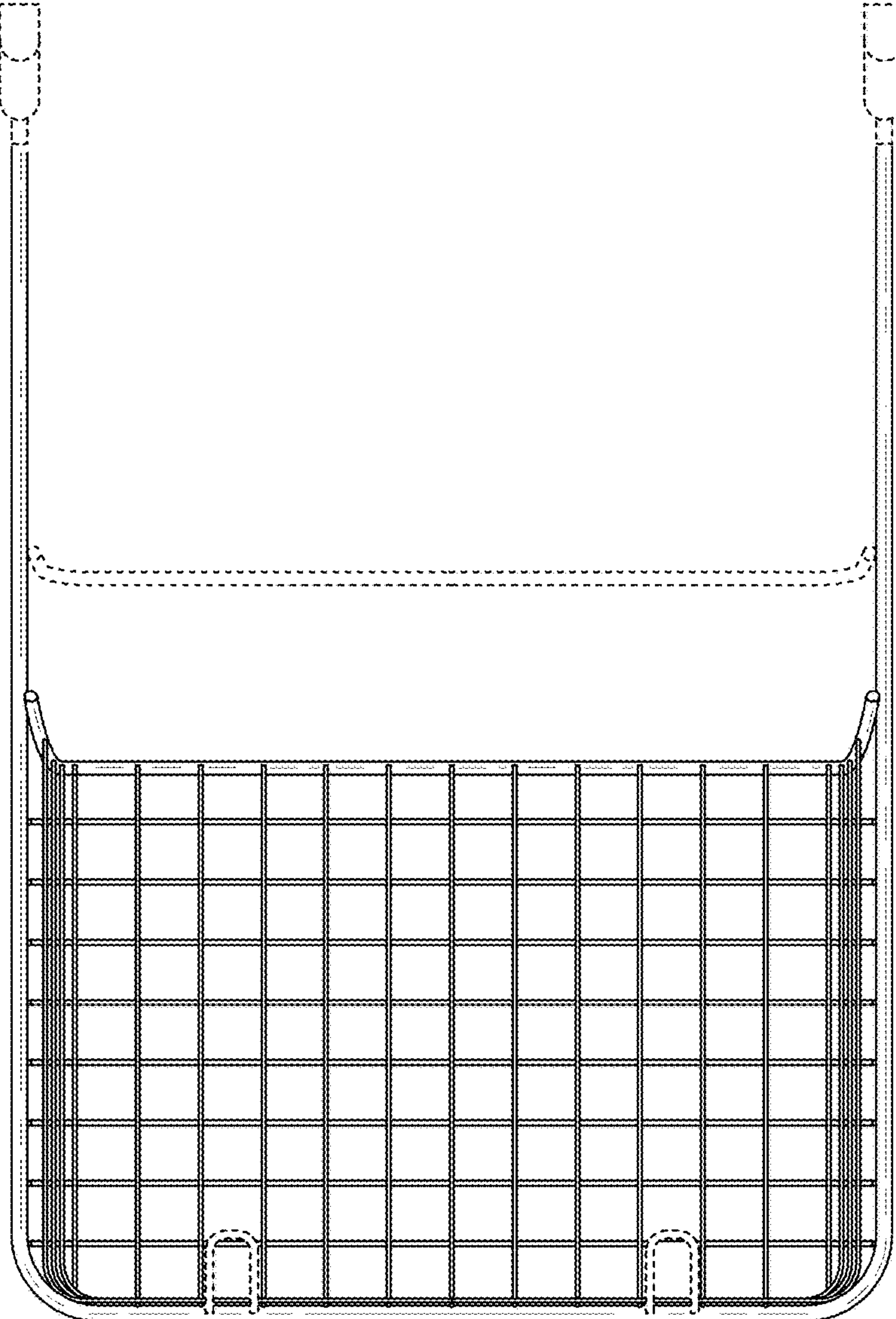


FIG. 3

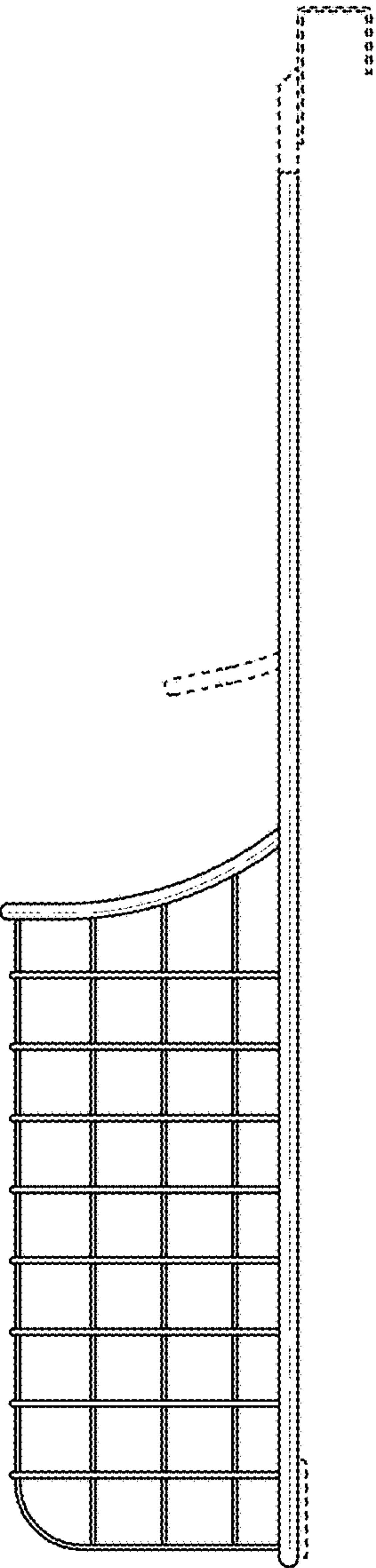


FIG. 4

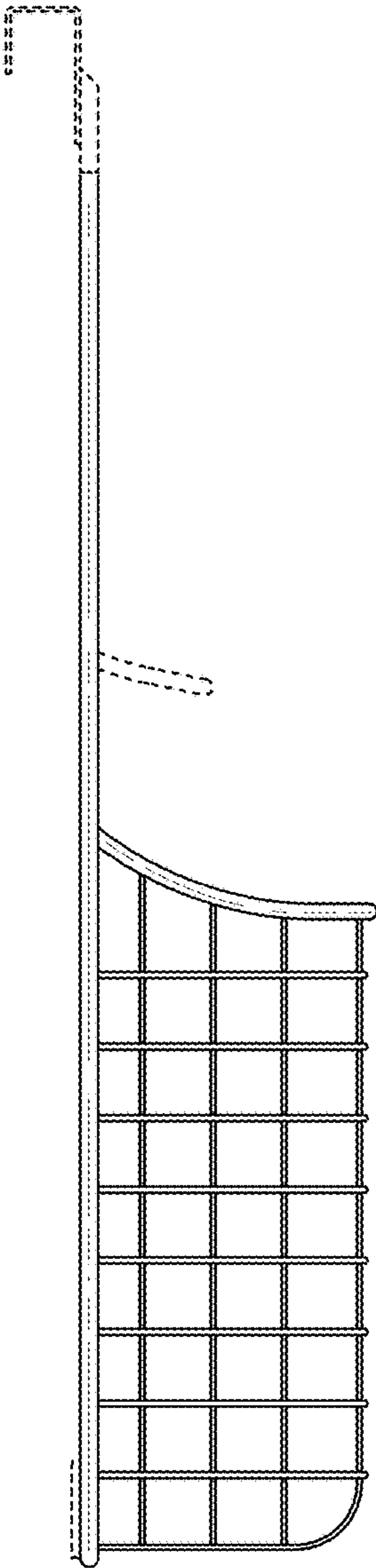


FIG. 5

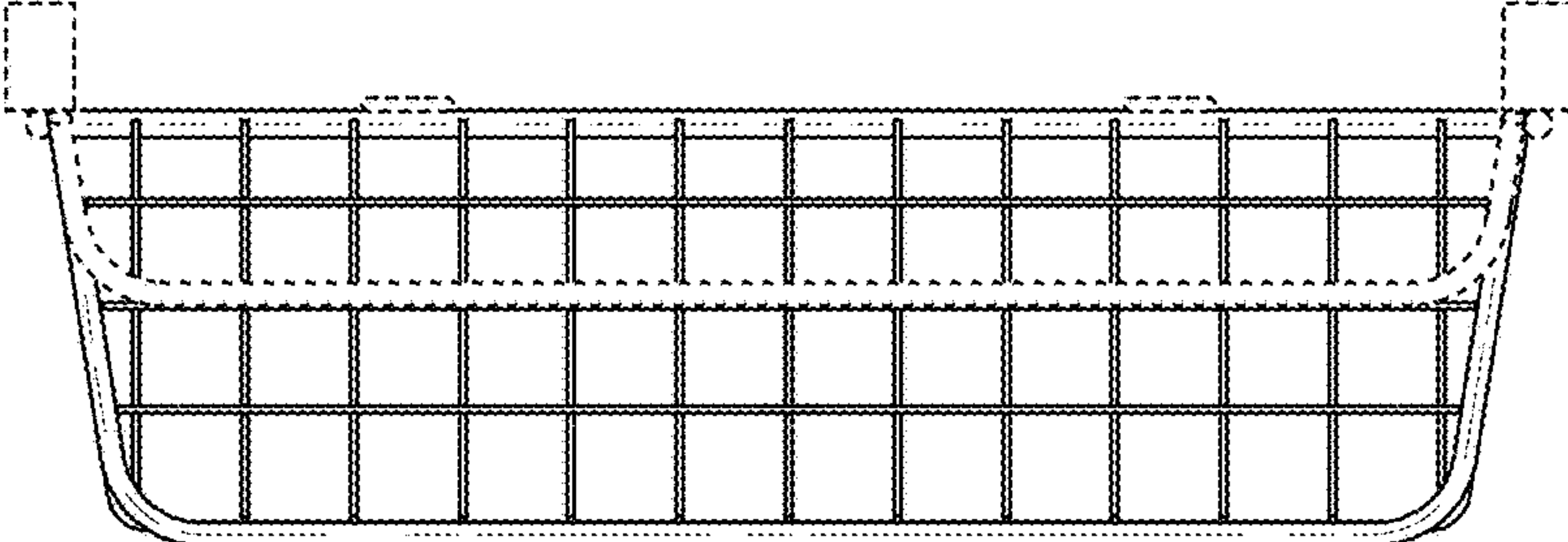


FIG. 6

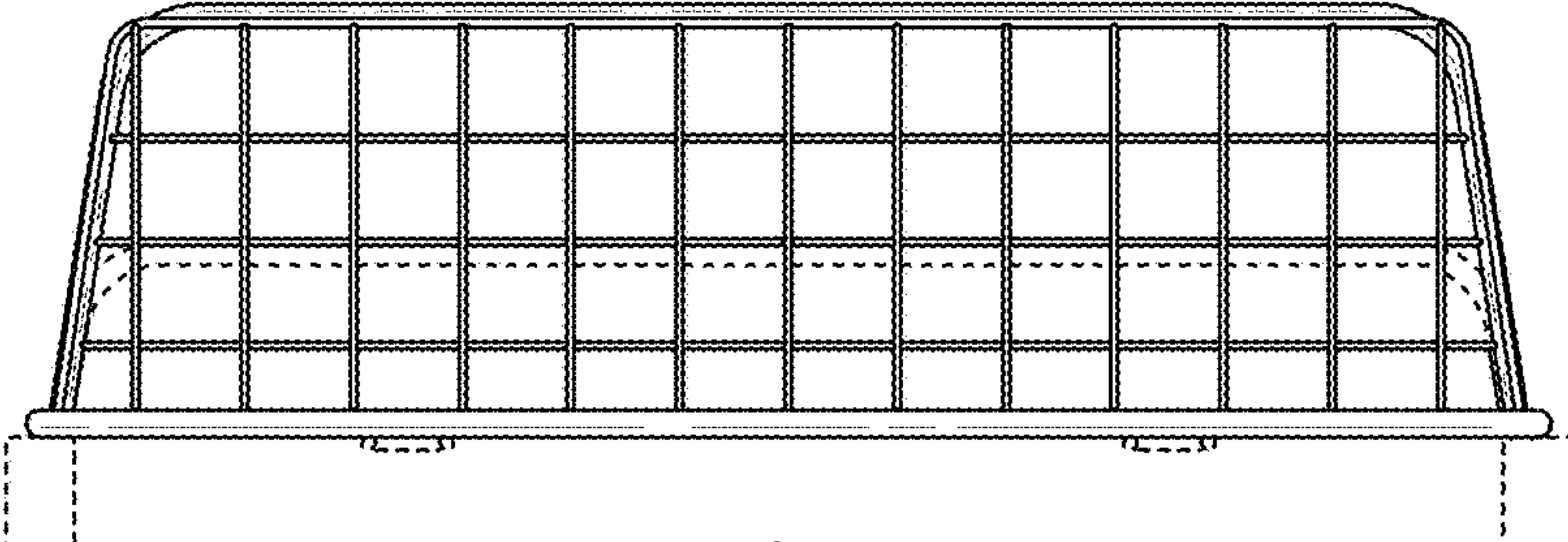


FIG. 7