



US00D851998S

(12) **United States Design Patent** (10) **Patent No.:** **US D851,998 S**  
**O’Nan et al.** (45) **Date of Patent:** **\*\* Jun. 25, 2019**

- (54) **PORTION OF A DRINK CUP**
- (71) Applicant: **Berry Plastics Corporation**,  
Evansville, IN (US)
- (72) Inventors: **David Y. O’Nan**, Henderson, KY (US);  
**Brad A. Ruminer**, Evansville, IN (US);  
**Jeffrey A. Mann**, Evansville, IN (US)
- (73) Assignee: **Berry Plastics Corporation**,  
Evansville, IN (US)
- (\*\*) Term: **15 Years**
- (21) Appl. No.: **29/595,453**
- (22) Filed: **Feb. 28, 2017**
- (51) **LOC (11) Cl.** ..... **07-01**
- (52) **U.S. Cl.**  
USPC ..... **D7/532; D7/523; D7/396.2**
- (58) **Field of Classification Search**  
USPC ..... **D7/509, 510, 511, 523, 532, 534, 536,**  
**D7/300.1, 533, 394, 395, 531, 608, 529,**  
**D7/513, 507, 213, 396.2; D24/197;**  
**220/592.16, 592.17, 704, 705, 706, 707;**  
**D9/435, 447, 429**  
CPC ..... **A47G 19/22; A47G 19/2205; A47G**  
**19/2211; A47G 19/2266; A47G 19/2288;**  
**B65D 47/066; B65D 43/02; B65D 43/04;**  
**A47J 43/27; A47J 41/02**  
See application file for complete search history.

- 4,420,081 A 12/1983 Dart
- D272,794 S 2/1984 Dart
- D397,912 S \* 9/1998 Goessling, Jr. .... D7/532
- 6,047,849 A 4/2000 Schwegman
- 6,193,098 B1 2/2001 Mochizuki
- (Continued)

**OTHER PUBLICATIONS**

The Society of Plastics Industry, Inc., Glossary of Rigid Plastic Container and Lid Terminology, Technical Bulletin, May 1990, 7 pages.

(Continued)

*Primary Examiner* — Marianne N Pandozzi  
*Assistant Examiner* — Jae Liang  
(74) *Attorney, Agent, or Firm* — Barnes & Thornburg LLP

(57) **CLAIM**

The ornamental design for a portion of a drink cup, as shown and described.

**DESCRIPTION**

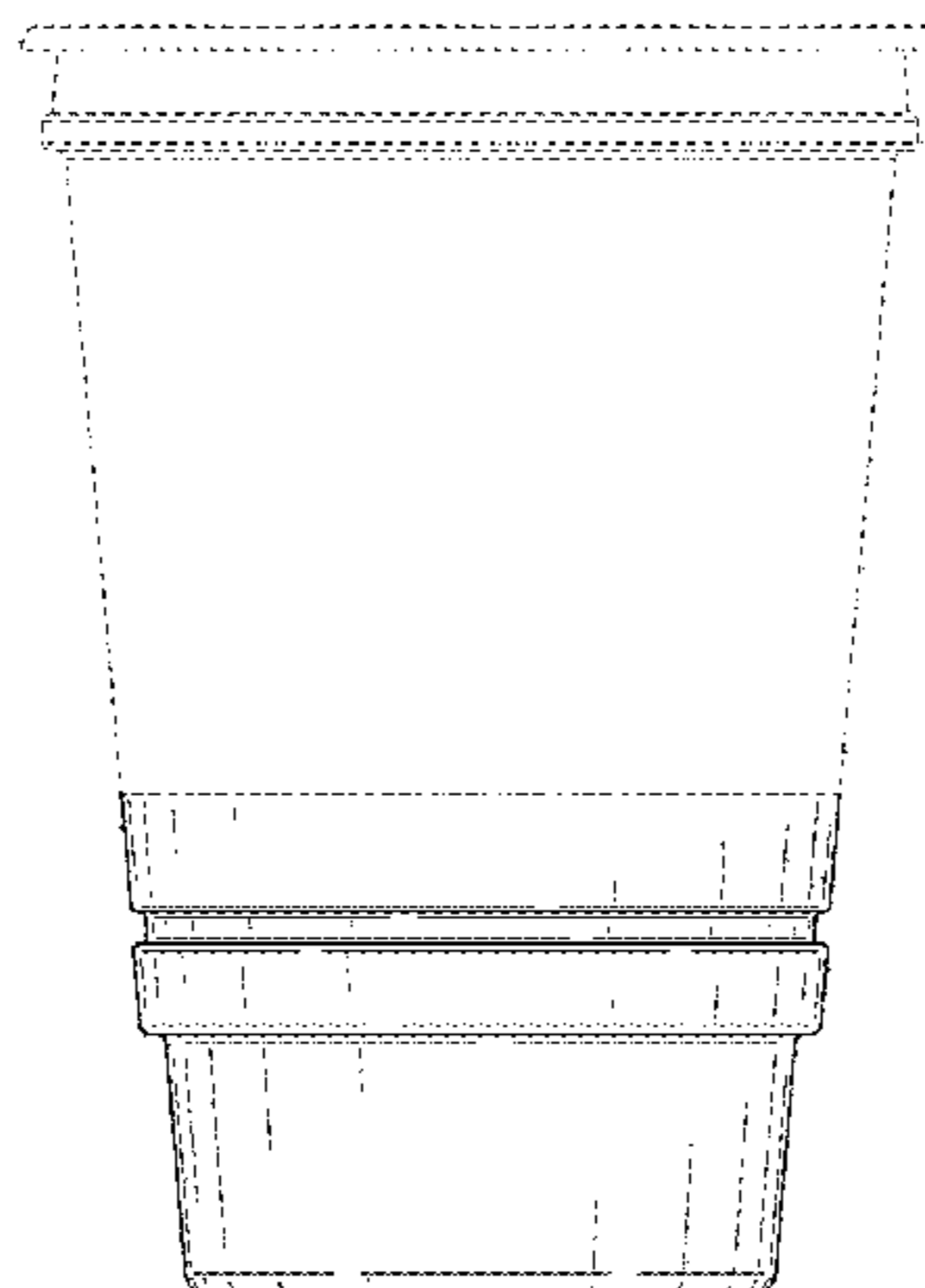
FIG. 1 is a perspective view of a portion of a drink cup showing our new design;  
FIG. 2 is a front view of the portion of the drink cup of FIG. 1;  
FIG. 3 is a rear view of the portion of the drink cup of FIG. 1;  
FIG. 4 is a right side view of the portion of the drink cup of FIG. 1;  
FIG. 5 is a left side view of the portion of the drink cup of FIG. 1;  
FIG. 6 is a top plan view of the portion of the drink cup of FIG. 1; and,  
FIG. 7 is a bottom view of the portion of the drink cup of FIG. 1.  
The broken lines in the drawings depict environmental subject matter only and form no part of the claimed design.

**1 Claim, 4 Drawing Sheets**

(56) **References Cited**

**U.S. PATENT DOCUMENTS**

- 924,969 A 6/1909 Wolf
- D53,069 S \* 3/1919 Fox ..... D7/532
- D112,560 S \* 12/1938 Cunningham ..... D7/532
- D199,749 S \* 12/1964 Schnur ..... D7/533
- 3,298,893 A 1/1967 Allen
- 4,052,037 A \* 10/1977 Mair ..... B65D 1/265  
366/341
- D246,882 S \* 1/1978 Thrush ..... D7/536



(56)

References Cited

U.S. PATENT DOCUMENTS

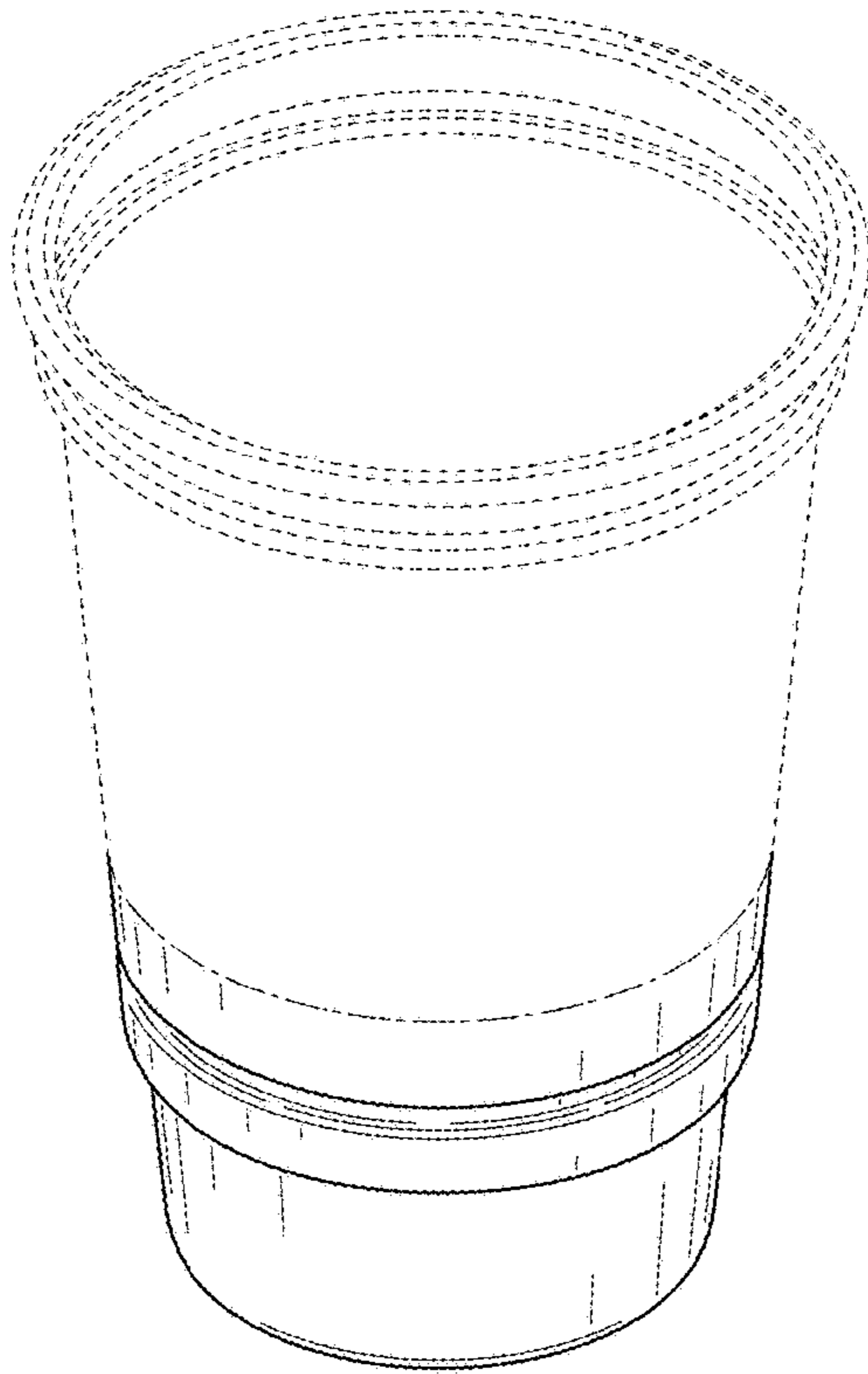
6,260,756 B1 7/2001 Mochizuki et al.  
 6,497,338 B1 12/2002 Stolzman  
 D472,425 S \* 4/2003 Hurlbut ..... D7/510  
 6,554,154 B1 4/2003 Chauhan  
 D476,528 S \* 7/2003 Janky ..... D7/510  
 D530,375 S 10/2006 McKnight  
 D558,524 S \* 1/2008 Schreitmueller ..... D7/500  
 D565,352 S \* 4/2008 Williams ..... D7/510  
 D572,083 S \* 7/2008 Tien ..... D7/509  
 7,546,932 B2 6/2009 Smith  
 D601,852 S 10/2009 Newman  
 D606,808 S \* 12/2009 Germann ..... D7/510  
 7,665,627 B2 2/2010 Shibata  
 7,882,975 B2 2/2011 Kelly  
 D644,066 S 8/2011 Hotell  
 D658,443 S 5/2012 Chiu  
 8,245,847 B2 8/2012 Davis  
 8,281,953 B2 10/2012 Yourist  
 8,328,043 B2 12/2012 Kessell  
 8,336,732 B1 12/2012 Tobias  
 8,365,945 B2 2/2013 Yourist  
 D680,377 S \* 4/2013 Romley ..... D7/523  
 D680,378 S \* 4/2013 Romley ..... D7/532  
 D687,262 S \* 8/2013 Bucceri ..... A47G 19/2288  
 D7/509  
 8,646,646 B2 2/2014 Yourist  
 8,667,662 B2 3/2014 Kelly  
 8,777,046 B2 7/2014 Mann  
 8,783,505 B2 7/2014 Yourist  
 D717,606 S 11/2014 Kristinik  
 8,887,942 B2 11/2014 Miksovsky  
 D721,887 S 2/2015 Romley  
 D732,343 S 6/2015 Romley  
 9,161,661 B2 10/2015 Kelly  
 D742,695 S \* 11/2015 Pendleton ..... D7/509  
 D746,635 S \* 1/2016 Lapsker ..... D7/510

9,248,932 B2 2/2016 Gamber  
 9,266,660 B2 2/2016 Cai  
 9,314,089 B2 4/2016 Hodge  
 9,351,596 B2 5/2016 Karam  
 9,440,410 B2 9/2016 Marshall  
 D772,013 S 11/2016 O'Connor  
 D790,277 S \* 6/2017 Mackesy, II ..... D7/507  
 D795,643 S 8/2017 Barlow  
 D796,265 S \* 9/2017 Lapsker ..... D7/510  
 D797,510 S 9/2017 Ke  
 D813,606 S \* 3/2018 O'Nan ..... D7/532  
 2005/0173287 A1 8/2005 Smith  
 2005/0189361 A1 9/2005 Bresler  
 2009/0223969 A1 9/2009 Bouie  
 2012/0205371 A1 8/2012 Lee  
 2012/0247998 A1 10/2012 Wahl  
 2012/0318805 A1 12/2012 Leser  
 2013/0334233 A1 12/2013 Vandenlangenberg  
 2014/0069942 A1 3/2014 Duquenois  
 2014/0091086 A1 \* 4/2014 Sorensen ..... A47G 19/2205  
 220/4.27  
 2015/0041478 A1 2/2015 Abrams  
 2015/0251808 A1 9/2015 Tsui  
 2015/0253055 A1 9/2015 Tsui  
 2015/0291309 A1 10/2015 McGregor  
 2015/0374152 A1 12/2015 Anshu  
 2016/0075464 A1 3/2016 Turner  
 2016/0122080 A1 5/2016 Blatstein  
 2016/0159528 A1 6/2016 Kessell  
 2016/0214756 A1 7/2016 Hodge  
 2016/0332805 A1 11/2016 Krupa  
 2017/0251852 A1 9/2017 O'Nan

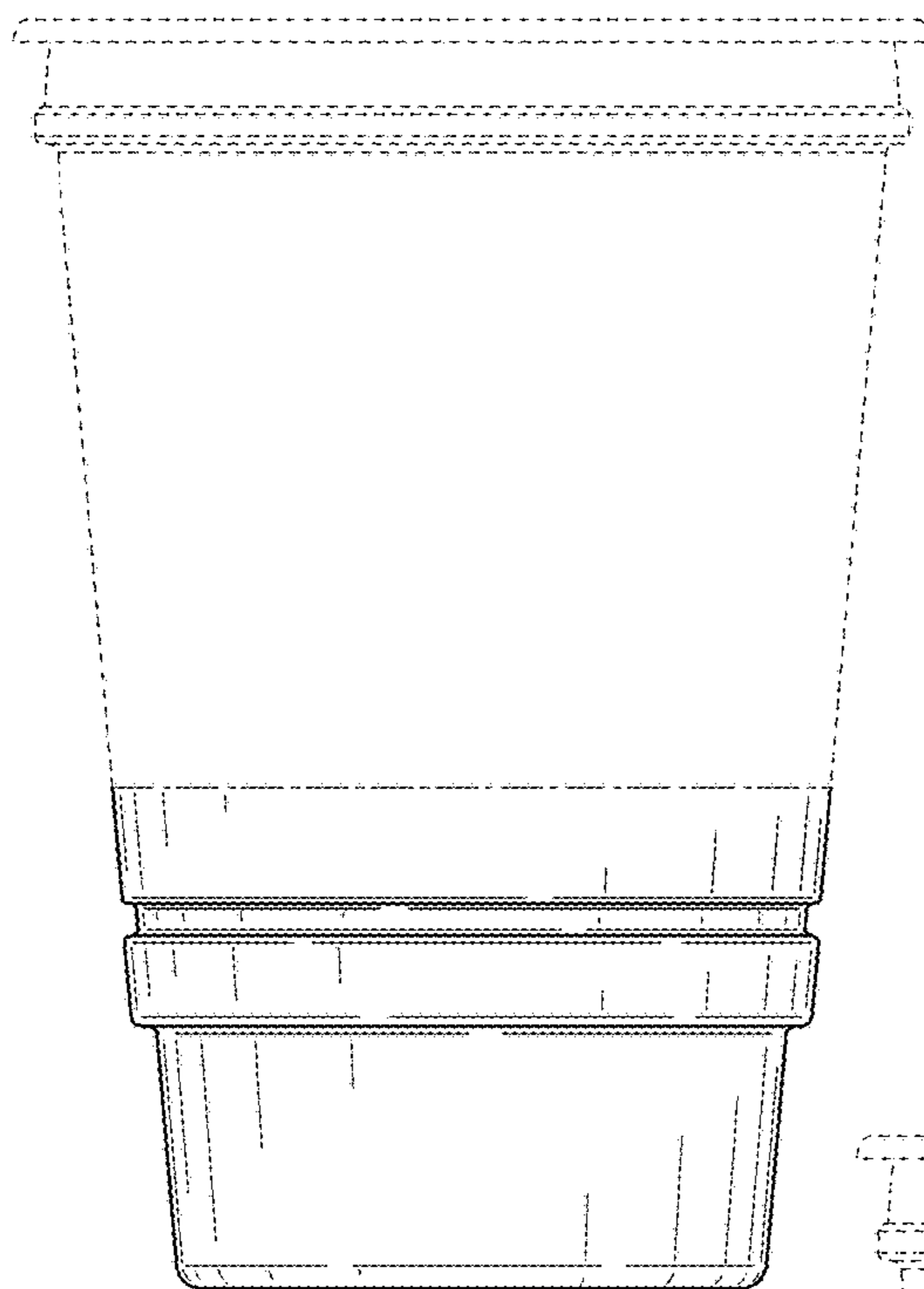
OTHER PUBLICATIONS

Office Action dated Oct. 24, 2018 for U.S. Appl. No. 15/444,944, BP-497 US-U II (pp. 1-10).

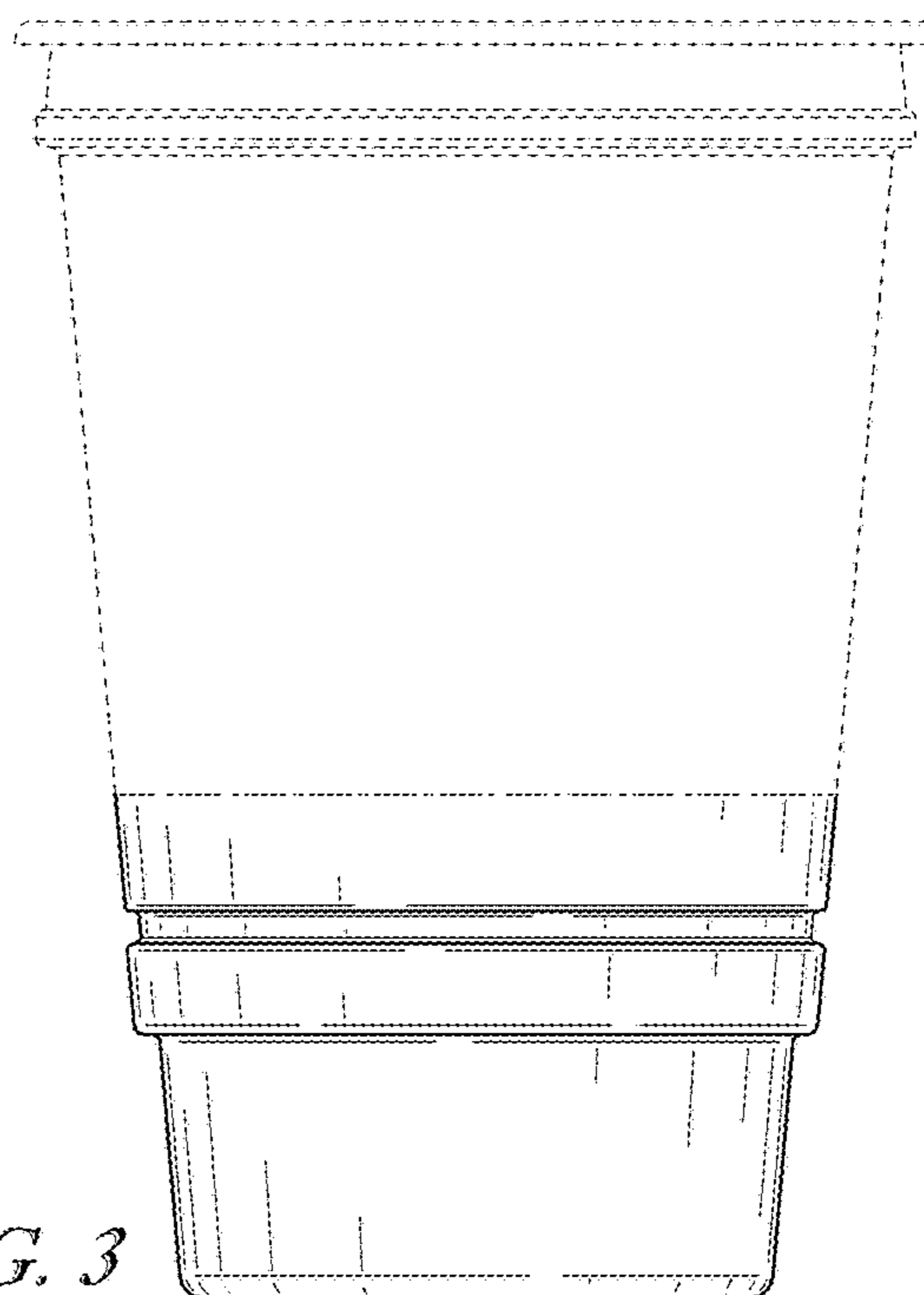
\* cited by examiner



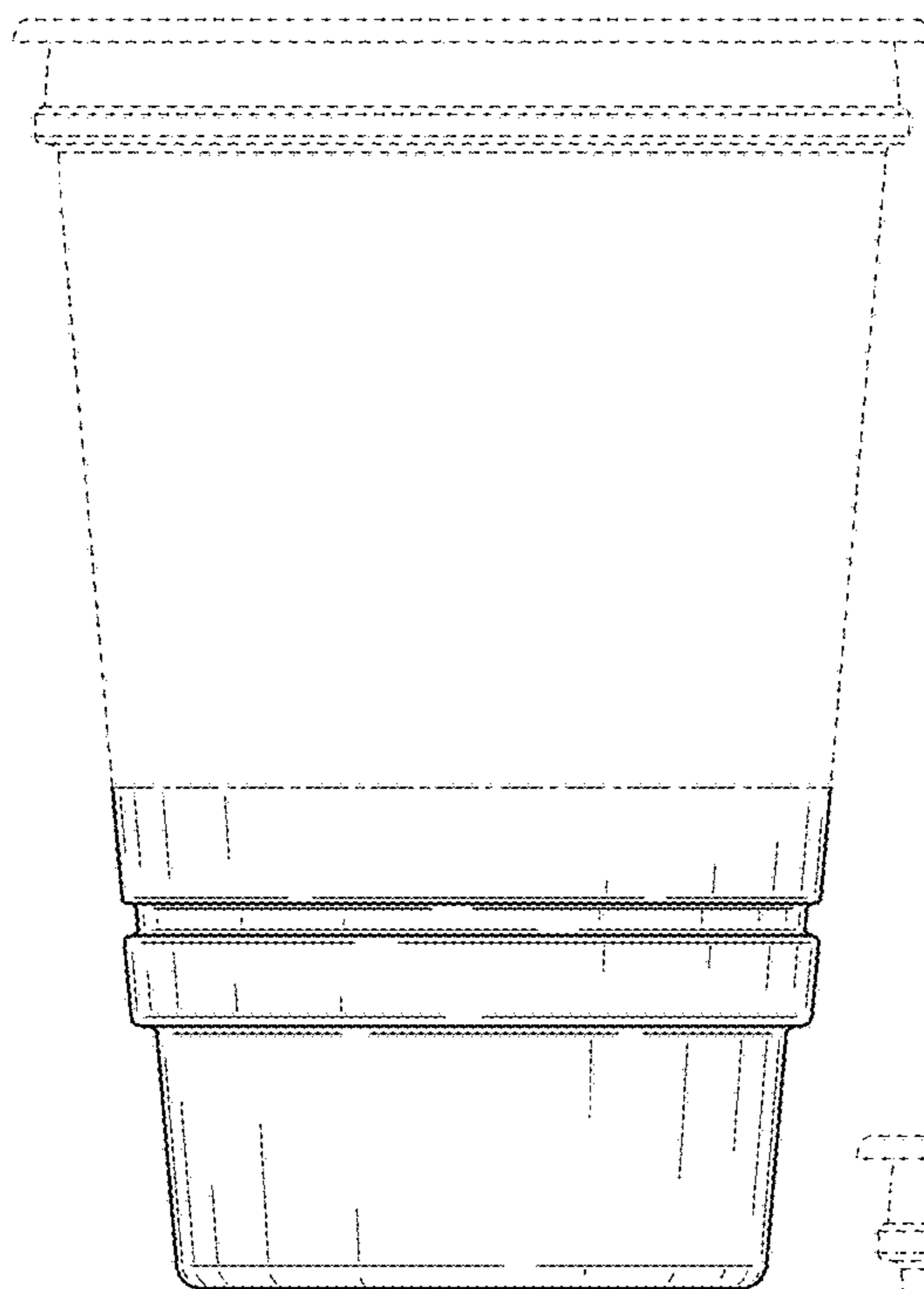
*FIG. 1*



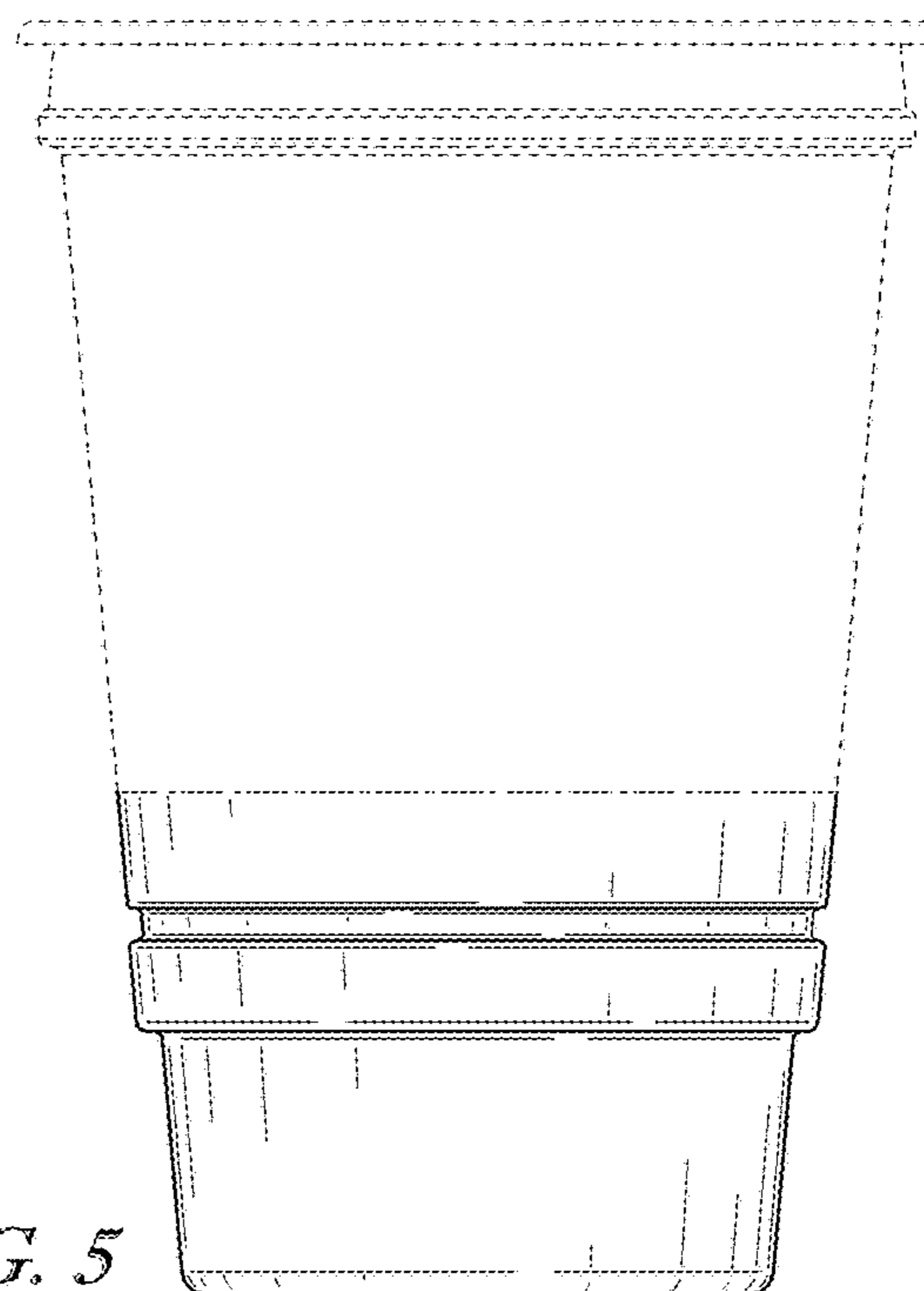
*FIG. 2*



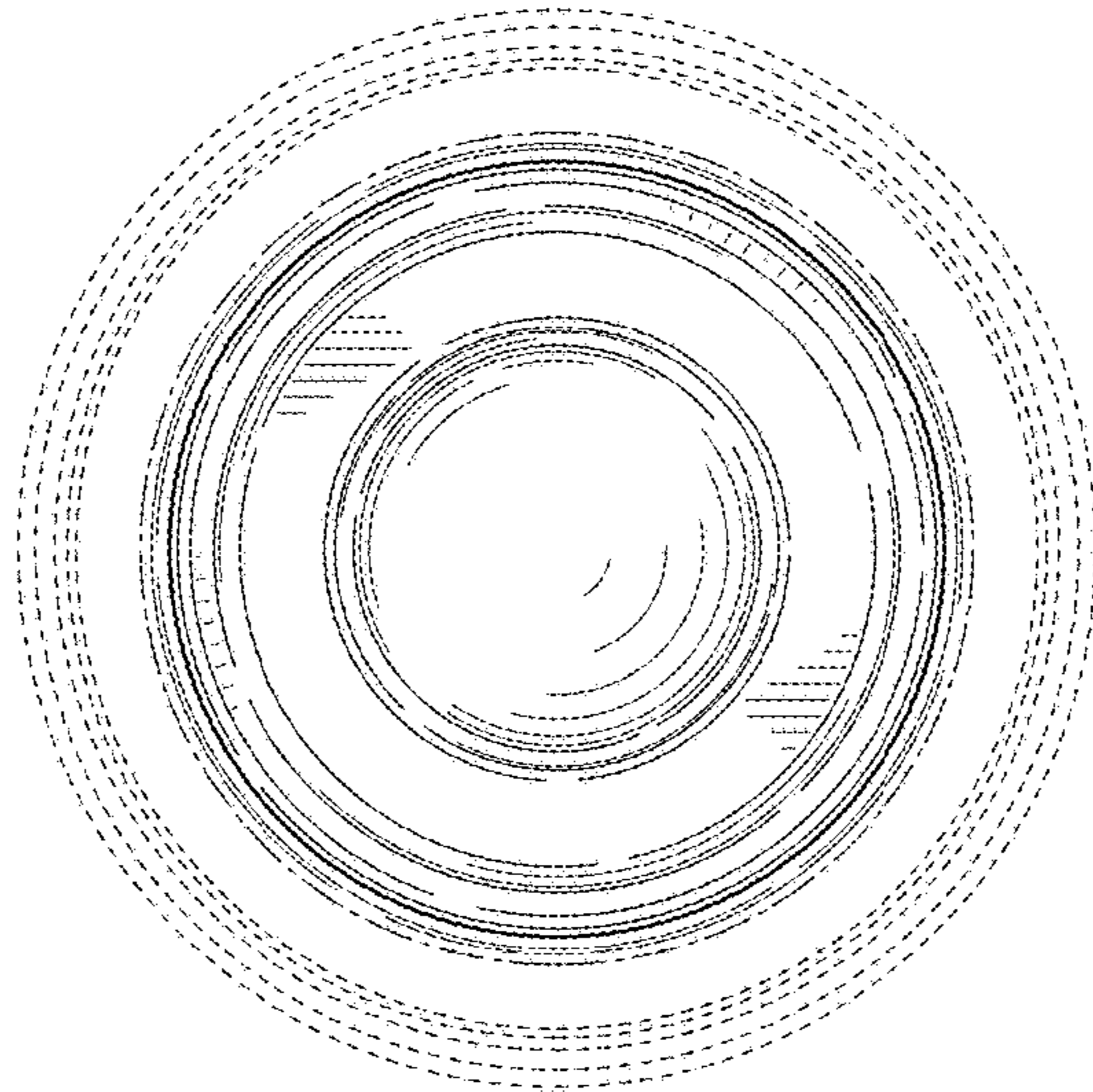
*FIG. 3*



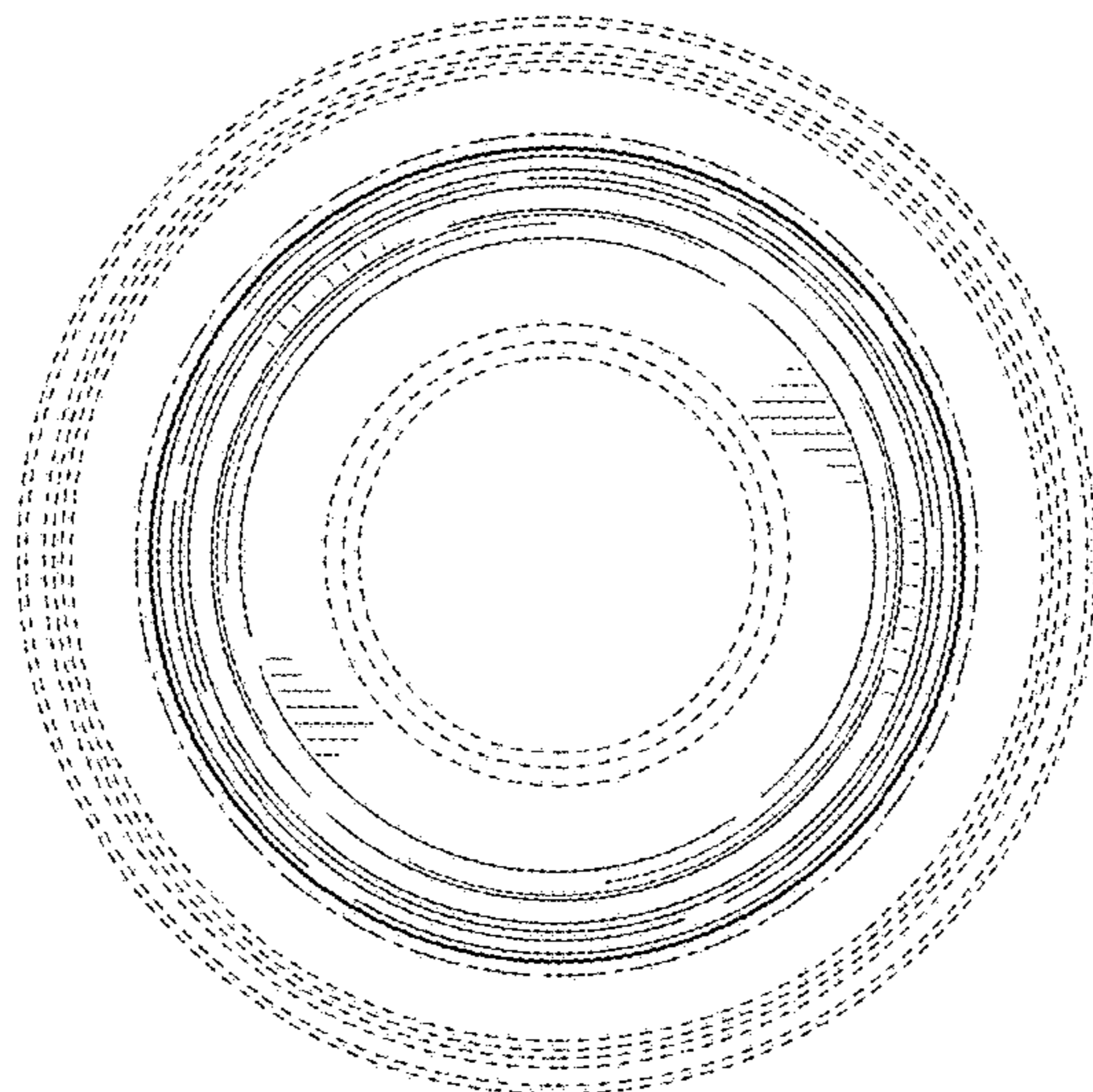
*FIG. 4*



*FIG. 5*



*FIG. 6*



*FIG. 7*