



US00D851994S

(12) **United States Design Patent**
Brady et al.

(10) **Patent No.:** **US D851,994 S**
(45) **Date of Patent:** **** *Jun. 25, 2019**

(54) **BEVERAGE CONTAINER WITH A
COSMETIC MIRROR**

(71) Applicants: **Claudia Brady**, Colleyville, TX (US);
Fernando Ortega, South Fort Worth,
TX (US)

(72) Inventors: **Claudia Brady**, Colleyville, TX (US);
Fernando Ortega, South Fort Worth,
TX (US)

(*) Notice: This patent is subject to a terminal dis-
claimer.

(**) Term: **15 Years**

(21) Appl. No.: **29/620,454**

(22) Filed: **Dec. 27, 2016**

(51) **LOC (11) Cl.** **07-01**

(52) **U.S. Cl.**

USPC **D7/507**; D7/523; D7/532

(58) **Field of Classification Search**

USPC D7/507, 509, 510, 511, 523, 529, 530,
D7/531, 532, 392.1, 396.2, 300.1, 667,
D7/387, 401; D9/439, 436; D8/34;
220/200, 592.16, 592.17; D28/82, 76

CPC A47G 19/22; A47G 19/2205; A47G
19/2272; A45F 3/16; B65D 47/066

See application file for complete search history.

(56) **References Cited**

U.S. PATENT DOCUMENTS

- 3,552,402 A * 1/1971 Levy A45D 40/221
132/293
- 3,591,792 A * 7/1971 Soltan A45D 33/22
362/144
- D248,204 S * 6/1978 Daenen D7/591
- 5,611,362 A * 3/1997 Duncan A45C 15/04
132/301
- D427,069 S * 6/2000 Carter D9/436

- D583,625 S * 12/2008 Martinez D7/505
- D599,655 S * 9/2009 Friebe D9/420
- D608,147 S * 1/2010 Sykes D7/507
- D614,357 S * 4/2010 Lin D28/64.3
- D631,635 S * 1/2011 Tuli D99/37
- D634,477 S * 3/2011 Morabito D28/64.1
- D640,094 S * 6/2011 Carlson D7/510
- D658,443 S * 5/2012 Chiu D7/507
- 8,336,732 B1 * 12/2012 Tobias B65D 1/265
220/671
- D688,746 S * 8/2013 Hung D19/86
- D698,496 S * 1/2014 Smith D28/76

(Continued)

Primary Examiner — Marianne N Pandozzi

Assistant Examiner — Jae Liang

(74) *Attorney, Agent, or Firm* — Karl L. Larson

(57) **CLAIM**

The ornamental design for a beverage container with a
cosmetic mirror, as shown and described.

DESCRIPTION

FIG. 1 is a perspective view of a beverage container with a
cosmetic mirror in an open configuration;

FIG. 2 is a perspective view of a beverage container with a
cosmetic mirror in a closed configuration;

FIG. 3 is a front view of the beverage container with a
cosmetic mirror shown in FIG. 1;

FIG. 4 is a back view of the beverage container with a
cosmetic mirror shown in FIG. 1;

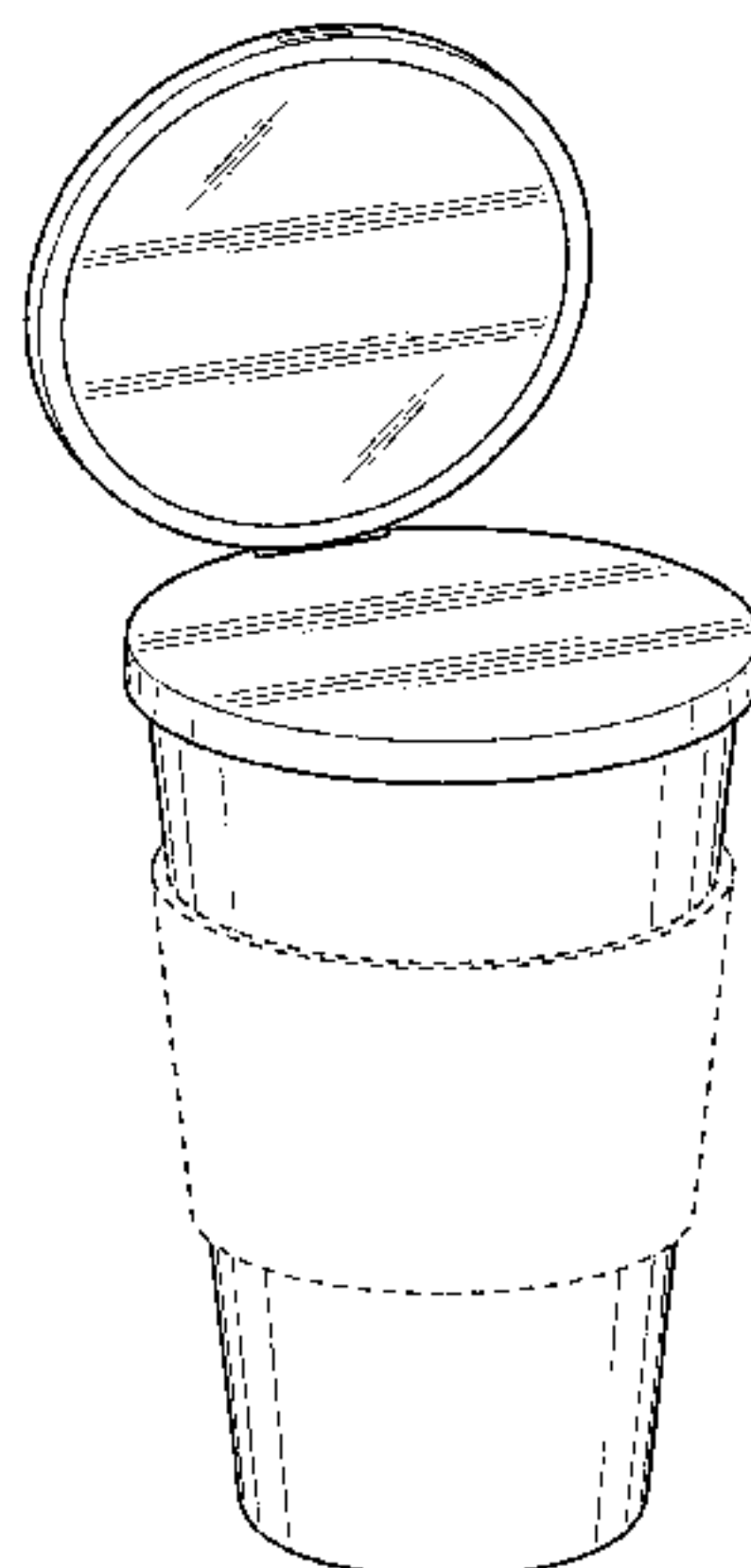
FIG. 5 is a left view of the beverage container with a
cosmetic mirror shown in FIG. 1;

FIG. 6 is a top view of the beverage container with a
cosmetic mirror shown in FIG. 1; and,

FIG. 7 is a bottom view of the beverage container with a
cosmetic mirror shown in FIG. 1.

The broken lines in the drawings depict portions of the
beverage container with a cosmetic mirror that form no part
of the claimed design. All surfaces shaded at 45 degree
shading are mirrored surfaces.

1 Claim, 3 Drawing Sheets



(56)

References Cited

U.S. PATENT DOCUMENTS

D746,514 S * 12/2015 Lambridis A45D 33/003
D28/4
D753,437 S * 4/2016 Steel D7/396.2
D817,551 S * 5/2018 Montoli A45D 33/00
D28/82
D830,125 S * 10/2018 Wu D7/507
2005/0224505 A1* 10/2005 Brown B65D 43/0208
220/792
2007/0186779 A1* 8/2007 Fung A47G 19/16
99/275
2008/0295857 A1* 12/2008 Gatesoupe A45D 33/008
132/295
2009/0108006 A1* 4/2009 Milan B65D 25/52
220/592.17
2009/0266828 A1* 10/2009 Cai B65D 43/0212
220/712
2010/0224646 A1* 9/2010 Incorvia B29C 45/0081
220/839
2014/0014131 A1* 1/2014 Zhang A45D 33/008
132/316
2017/0245622 A1* 8/2017 Cicchetti A45D 40/222

* cited by examiner

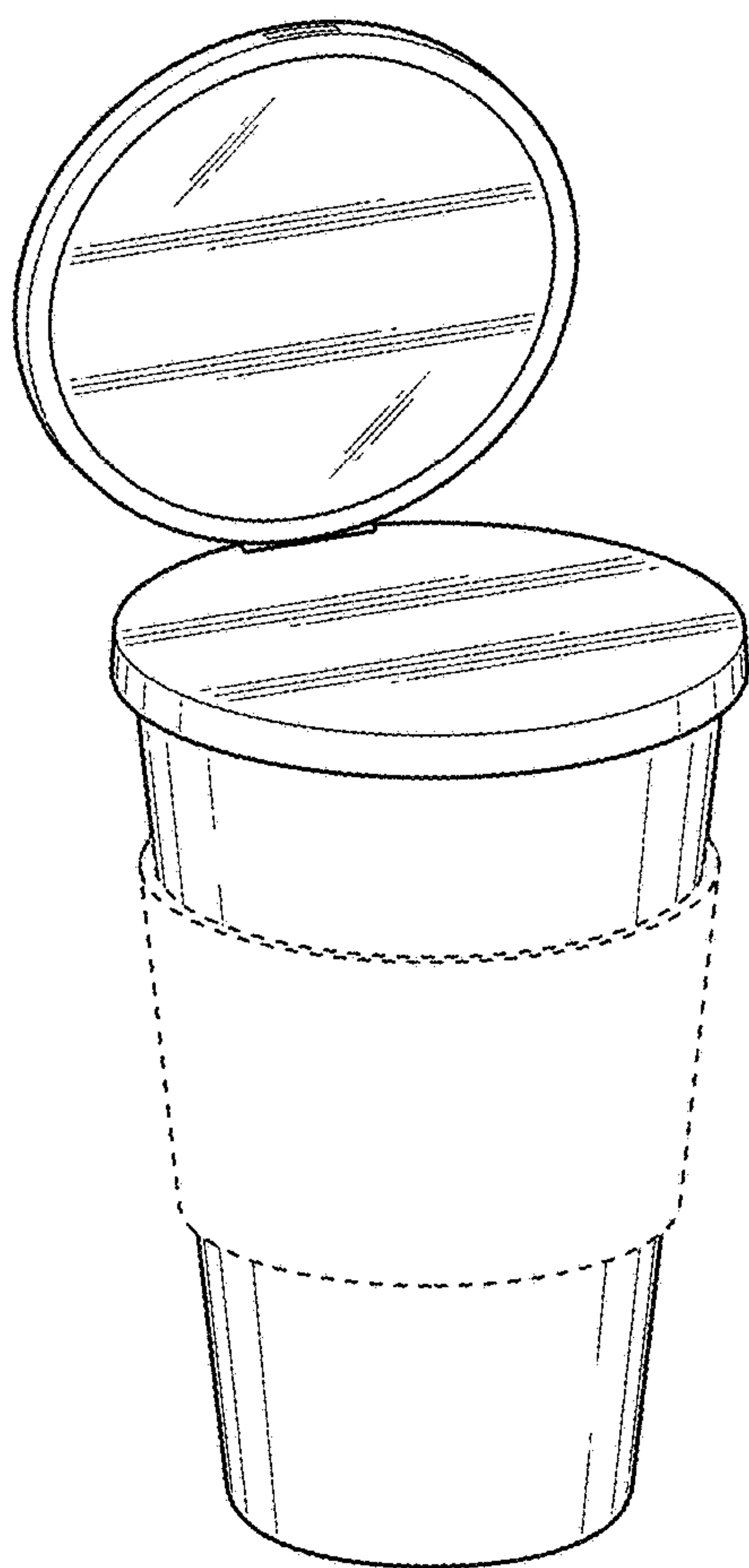


FIG. 1

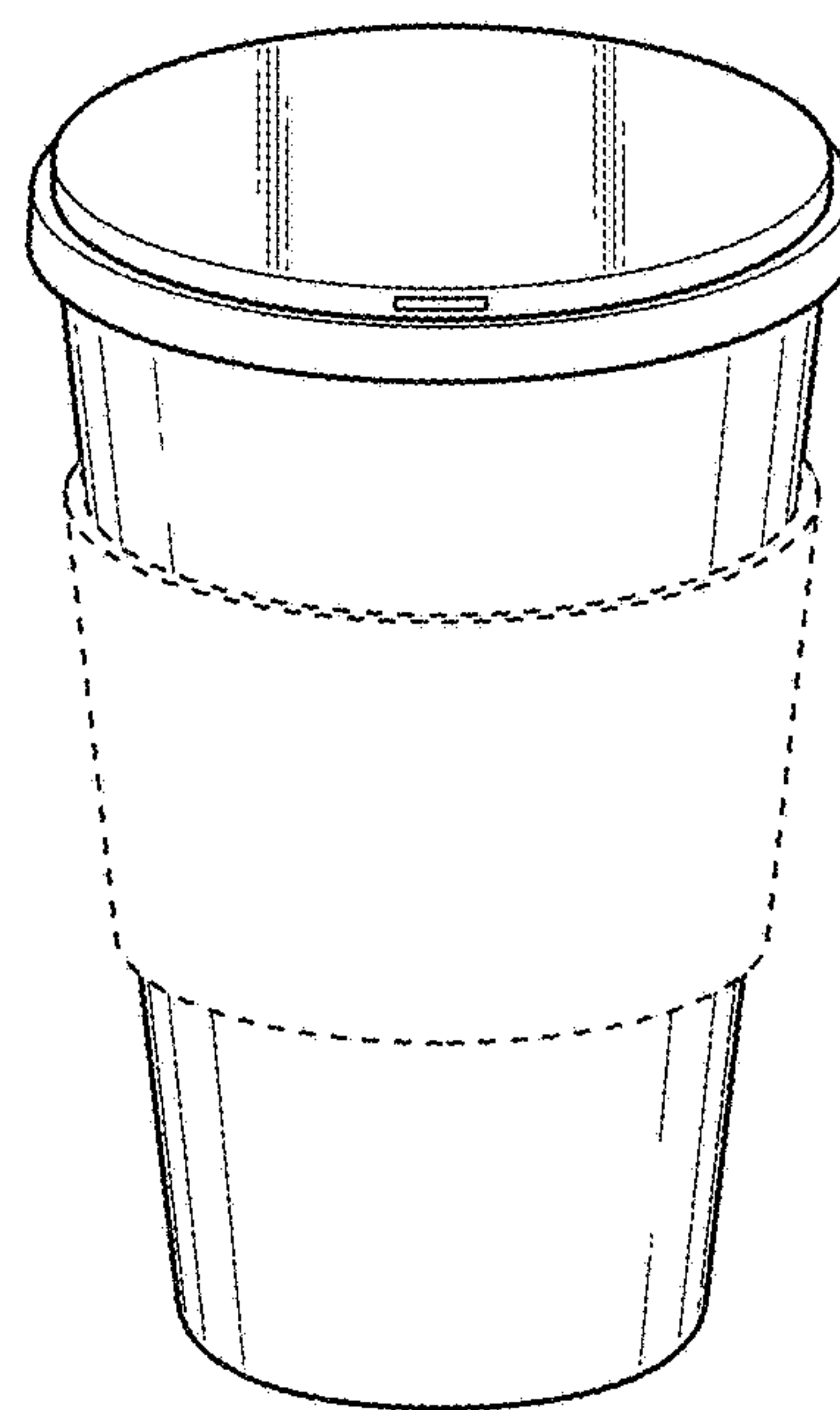


FIG. 2

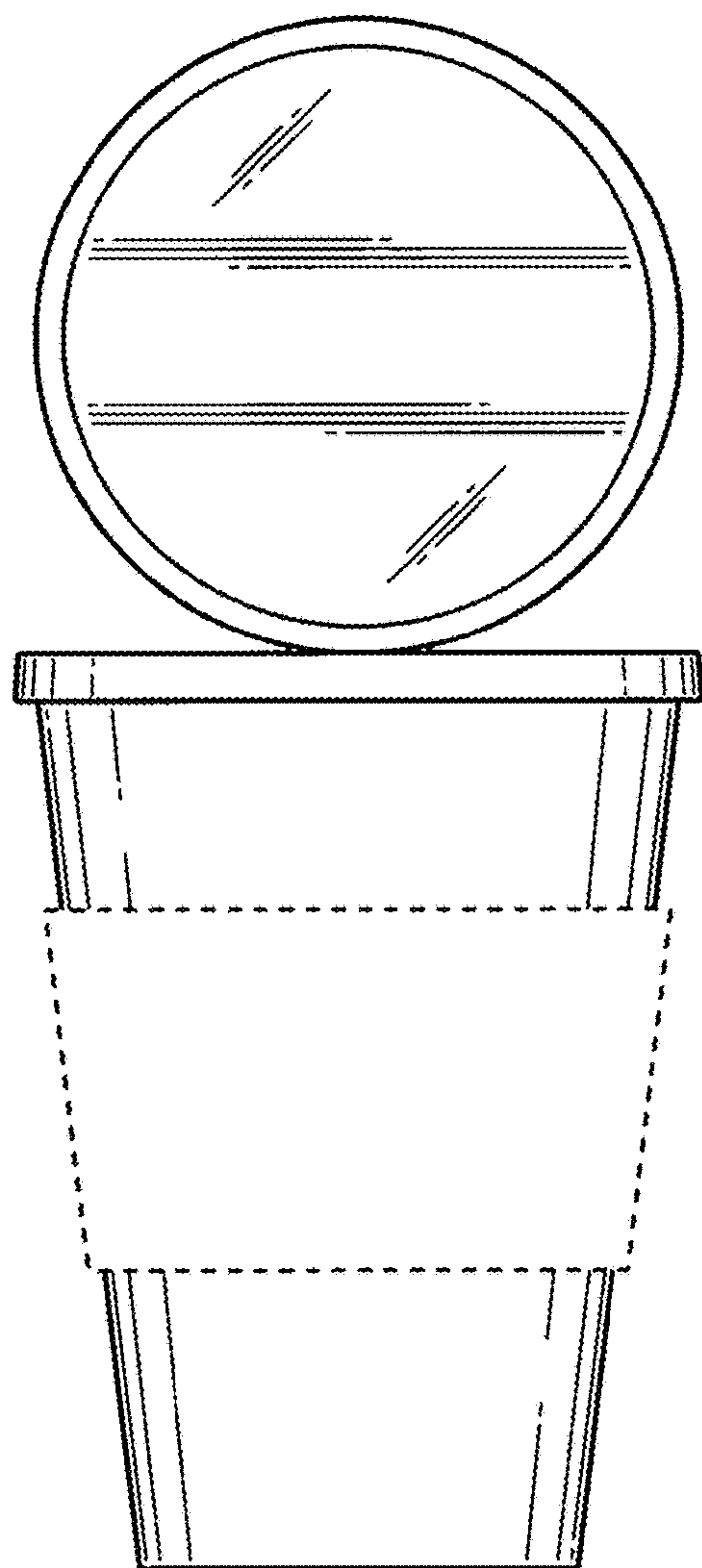


FIG. 3

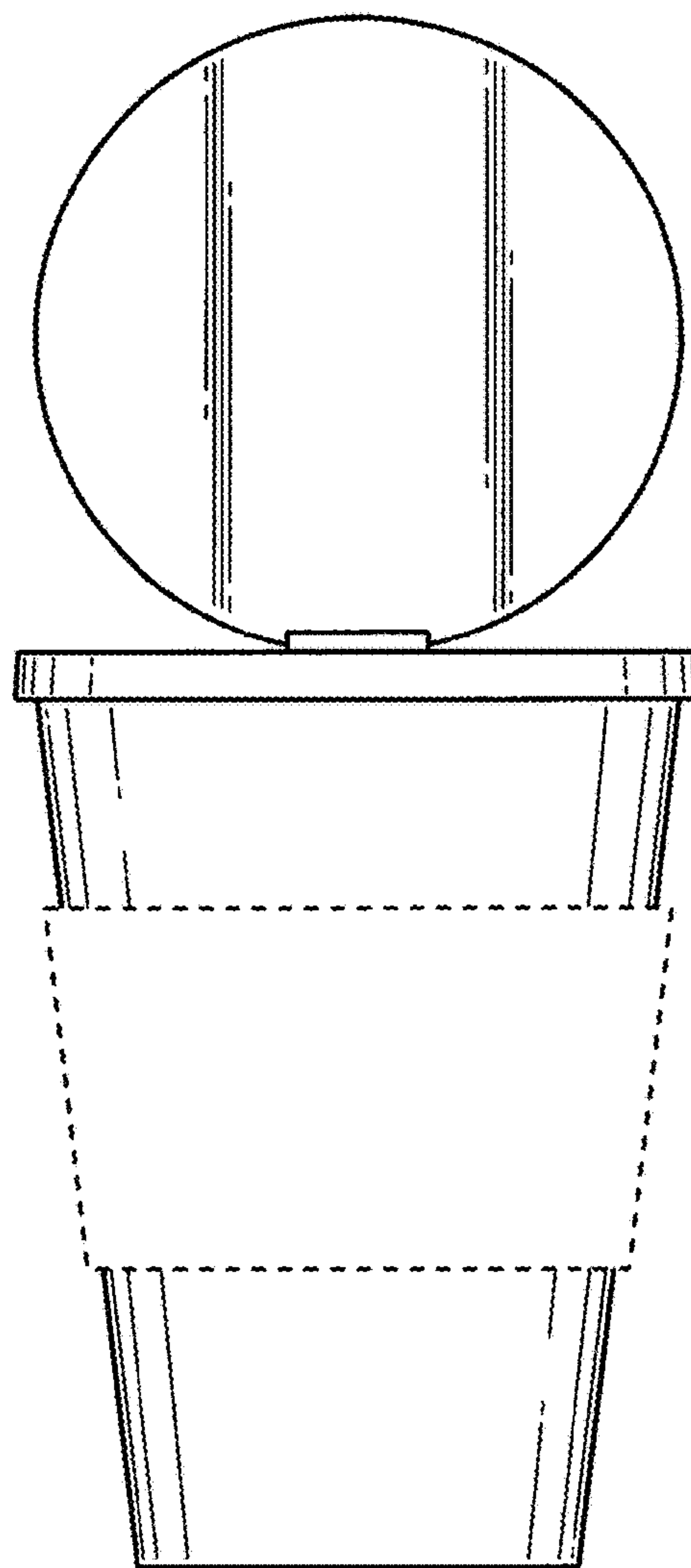


FIG. 4

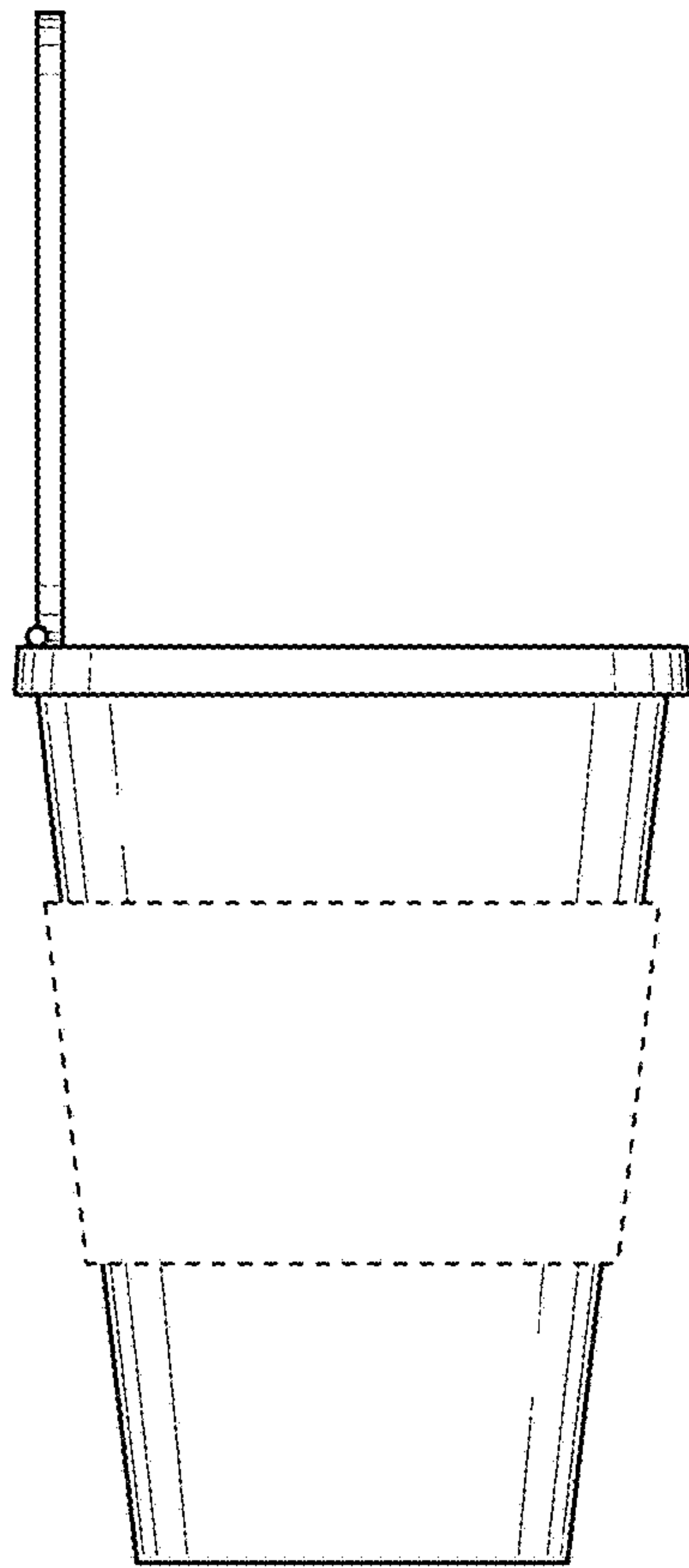


FIG. 5

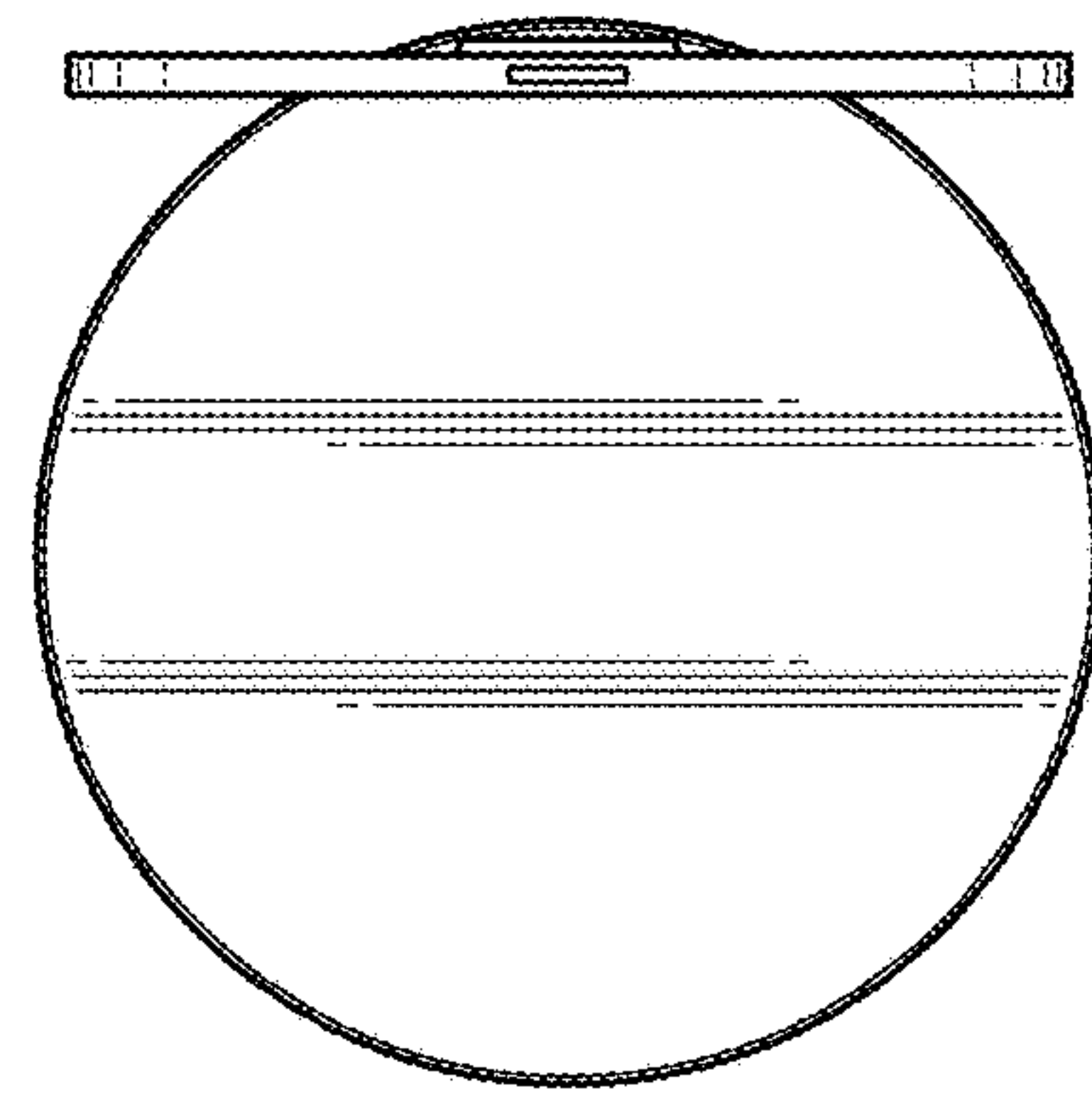


FIG. 6

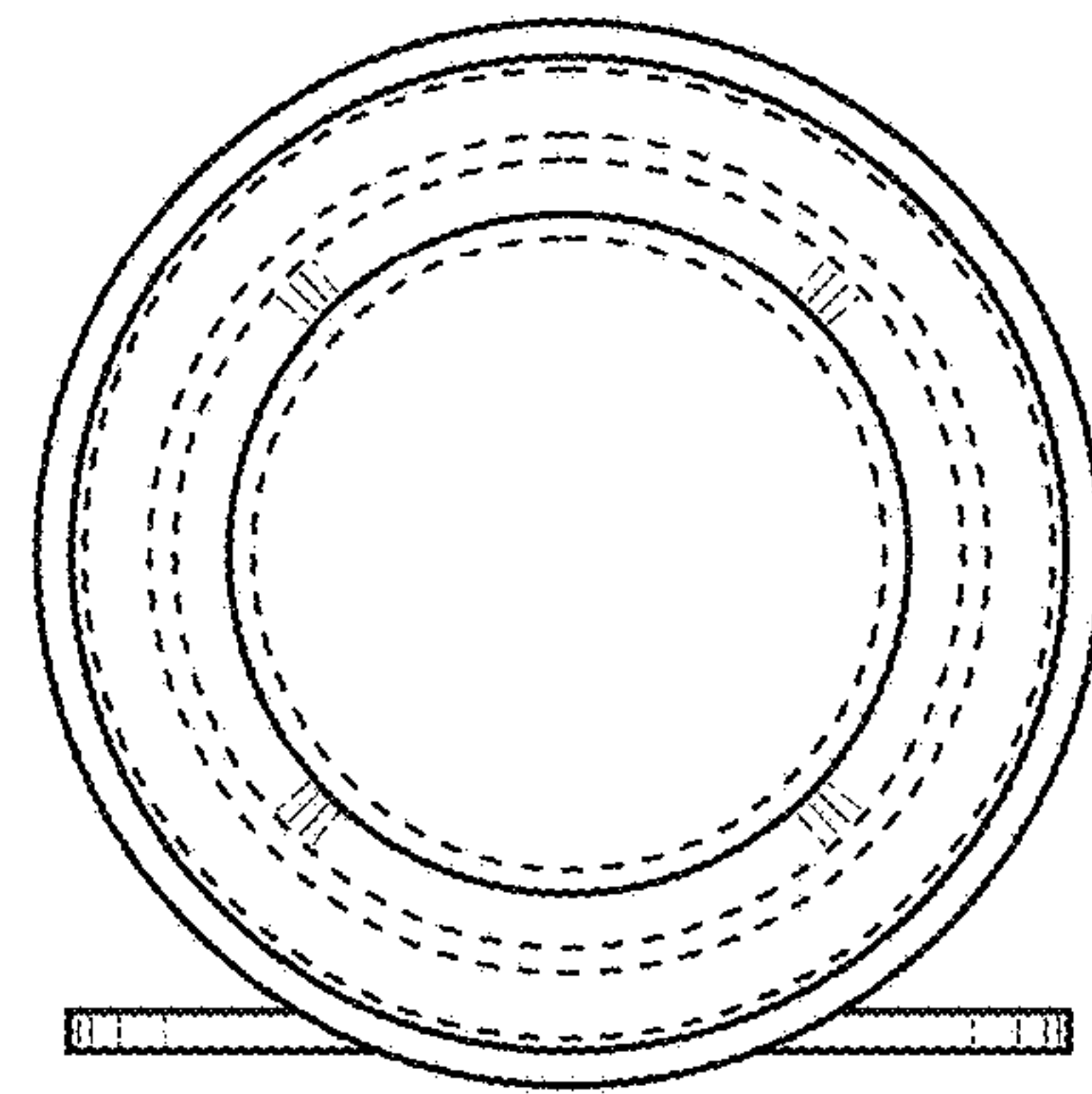


FIG. 7