



US00D851993S

(12) **United States Design Patent** (10) **Patent No.:** **US D851,993 S**  
**Montague** (45) **Date of Patent:** **\*\* Jun. 25, 2019**

(54) **PITCHER AND MUG SET**

OTHER PUBLICATIONS

(71) Applicant: **Zachary R. Montague**, Ardsley, NY  
(US)

Webpage: Esty offer for sale items.

(72) Inventor: **Zachary R. Montague**, Ardsley, NY  
(US)

*Primary Examiner* — Marianne N Pandozzi

*Assistant Examiner* — Jae Liang

(\*\*) Term: **15 Years**

(74) *Attorney, Agent, or Firm* — Cowan, Liebowitz & Latman, P.C.; Mark Montague

(21) Appl. No.: **29/675,541**

(57) **CLAIM**

The ornamental design for a pitcher and mug set, as shown.

(22) Filed: **Jan. 3, 2019**

**DESCRIPTION**

(51) **LOC (11) Cl.** ..... **07-01**

(52) **U.S. Cl.**

USPC ..... **D7/505**; D7/536; D7/319; D7/533

(58) **Field of Classification Search**

USPC ..... D7/505, 507, 509, 510, 511, 523, 528,  
D7/529, 530, 531, 532, 535, 533, 536,  
D7/305, 321, 319, 316, 317, 318, 590,  
D7/608, 310; 220/592.16, 592.17, 705

CPC ..... A47G 19/22; A47G 19/2205; A47G  
19/2211; A47G 19/2216; A47G 19/2227;  
A47G 19/02; A47G 19/2288; A47J 31/06

See application file for complete search history.

FIG. 1 is a perspective view of a pitcher and mug set showing my new design;

FIG. 2 is a front elevational view thereof;

FIG. 3 is a left side elevational view thereof;

FIG. 4 is a rear elevational view thereof;

FIG. 5 is a right side elevational view thereof;

FIG. 6 is a top plan view thereof;

FIG. 7 is a bottom plan view thereof;

FIG. 8 is a perspective view of the pitcher portion, with the mug portion of the pitcher and mug set removed to show details not disclosed in other views;

FIG. 9 is a front elevational view thereof;

FIG. 10 is a left side elevational view thereof;

FIG. 11 is a rear elevational view thereof;

FIG. 12 is a right side elevational view thereof;

FIG. 13 is a top plan view thereof;

FIG. 14 is a bottom plan view thereof;

FIG. 15 is a perspective view of the mug portion, with the pitcher portion of the pitcher and mug set removed to show details not disclosed in other views;

FIG. 16 is a front elevational view thereof;

FIG. 17 is a left side elevational view thereof;

FIG. 18 is a rear elevational view thereof;

FIG. 19 is a right side elevational view thereof;

FIG. 20 is a top plan view thereof; and,

FIG. 21 is a bottom plan view thereof.

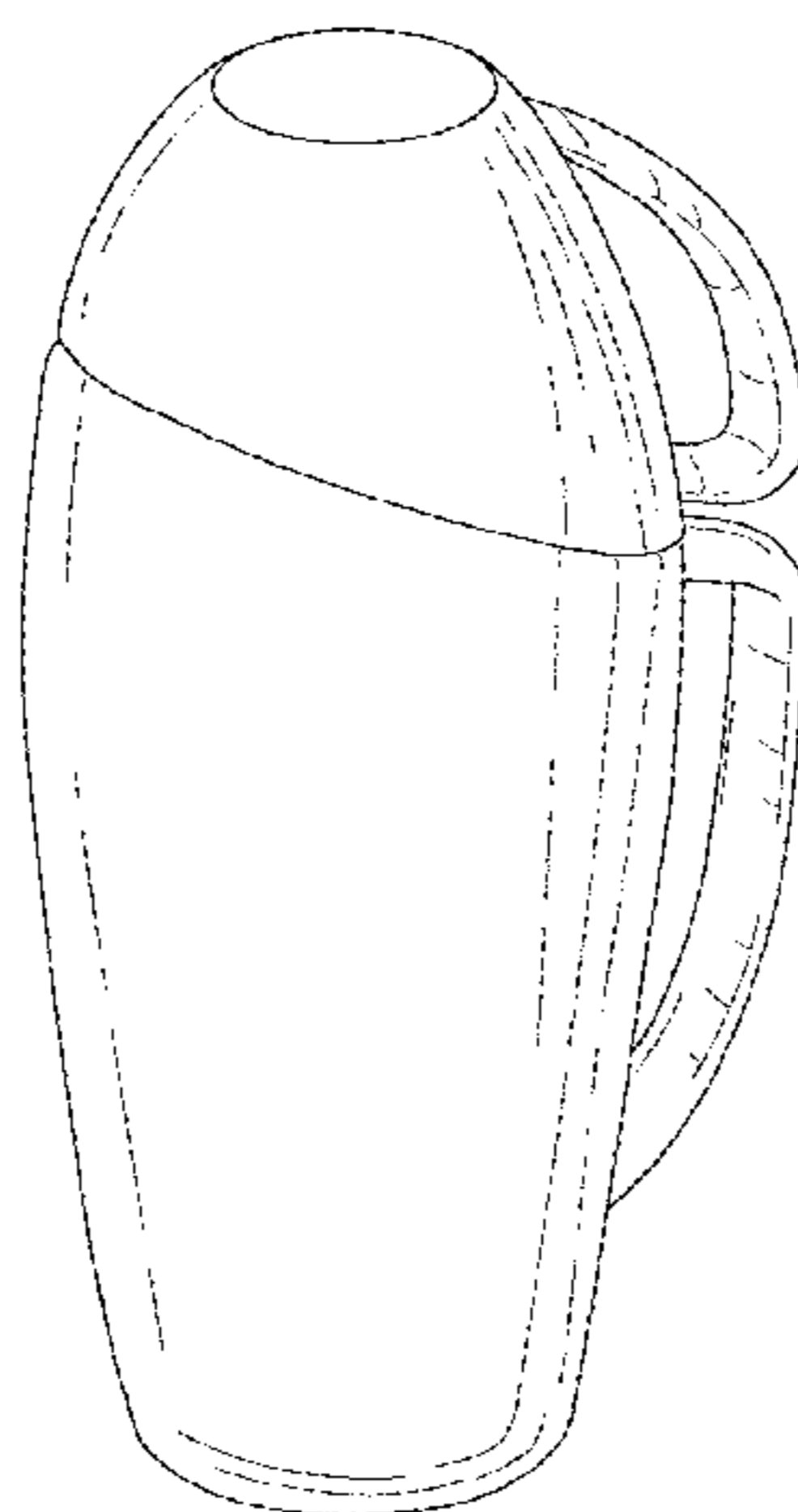
(56) **References Cited**

U.S. PATENT DOCUMENTS

D113,235 S	2/1939	Morgan	
2,619,245 A	11/1952	Levi	
D172,474 S	6/1954	Levi	
D199,461 S	10/1964	Dailey	
D222,521 S *	10/1971	Johnson	D7/536
3,890,484 A *	6/1975	Kamins	A47J 36/2466 219/202
4,027,779 A	6/1977	De Long	
D258,563 S	3/1981	Romagnoli	
D267,765 S *	2/1983	Hankin	D7/535
D299,688 S *	2/1989	Chung	D7/536
D321,623 S *	11/1991	Sun	D7/317
D323,758 S *	2/1992	Hoelterscheidt	D7/317

(Continued)

**1 Claim, 9 Drawing Sheets**



(56)

References Cited

U.S. PATENT DOCUMENTS

D337,689 S *	7/1993	Tardif	.....	D7/316			
D354,418 S	1/1995	Martin					
D379,742 S *	6/1997	Enomoto	.....	D7/608			
D386,950 S	12/1997	Dettmar					
D395,793 S	7/1998	Moran					
D410,175 S *	5/1999	Moran	.....	D7/608			
5,975,333 A *	11/1999	Lee	.....	A47G 19/145			
				215/392			
D430,449 S *	9/2000	Yeh	.....	D7/317			
D430,769 S	9/2000	Hurlbut					
6,135,312 A *	10/2000	Chen	.....	A47G 19/2205			
				220/737			
D445,646 S *	7/2001	Indekeu	.....	D7/533			
D455,609 S *	4/2002	Mandel	.....	D7/510			
D462,876 S *	9/2002	Janky	.....	D7/510			
D467,130 S *	12/2002	Janky	.....	D7/608			
D470,015 S *	2/2003	Kortleven	.....	D7/519			
D482,570 S	11/2003	Henderson					
D503,589 S *	4/2005	Schuler	.....	D7/608			
D505,591 S *	5/2005	Bodum	.....	D7/300.1			
D516,381 S *	3/2006	Davies	.....	D7/535			
D517,869 S	3/2006	Graves et al.					
D518,999 S *	4/2006	Laib	.....	D7/533			
D531,456 S *	11/2006	Davies	.....	D7/536			
D538,598 S *	3/2007	Haataja	.....	D7/523			
D545,132 S *	6/2007	Bhavnani	.....	D7/536			
D571,150 S *	6/2008	Franco	.....	D7/507			
D586,620 S *	2/2009	Sands	.....	D7/507			
7,530,468 B1 *	5/2009	Garvey	.....	A47G 19/145			
				220/345.1			
D636,227 S *	4/2011	Seegatz	.....	D7/500			
D682,041 S *	5/2013	Moran, Sr.	.....	D7/608			
D699,075 S *	2/2014	Mariotti	.....	D7/521			
D727,683 S *	4/2015	Schmidt	.....	D7/507			
D729,578 S	5/2015	He					
D738,670 S *	9/2015	Sands	.....	D7/317			
D742,696 S *	11/2015	Saari	.....	D7/536			
D769,674 S *	10/2016	Goode	.....	D7/507			
D828,721 S	9/2018	Xiao					
D835,447 S *	12/2018	Wall	.....	D7/318			
2011/0297688 A1 *	12/2011	Bangert	.....	A47G 19/2205			
				220/710.5			
2012/0127699 A1 *	5/2012	Chang	.....	A47G 19/2227			
				362/101			

\* cited by examiner

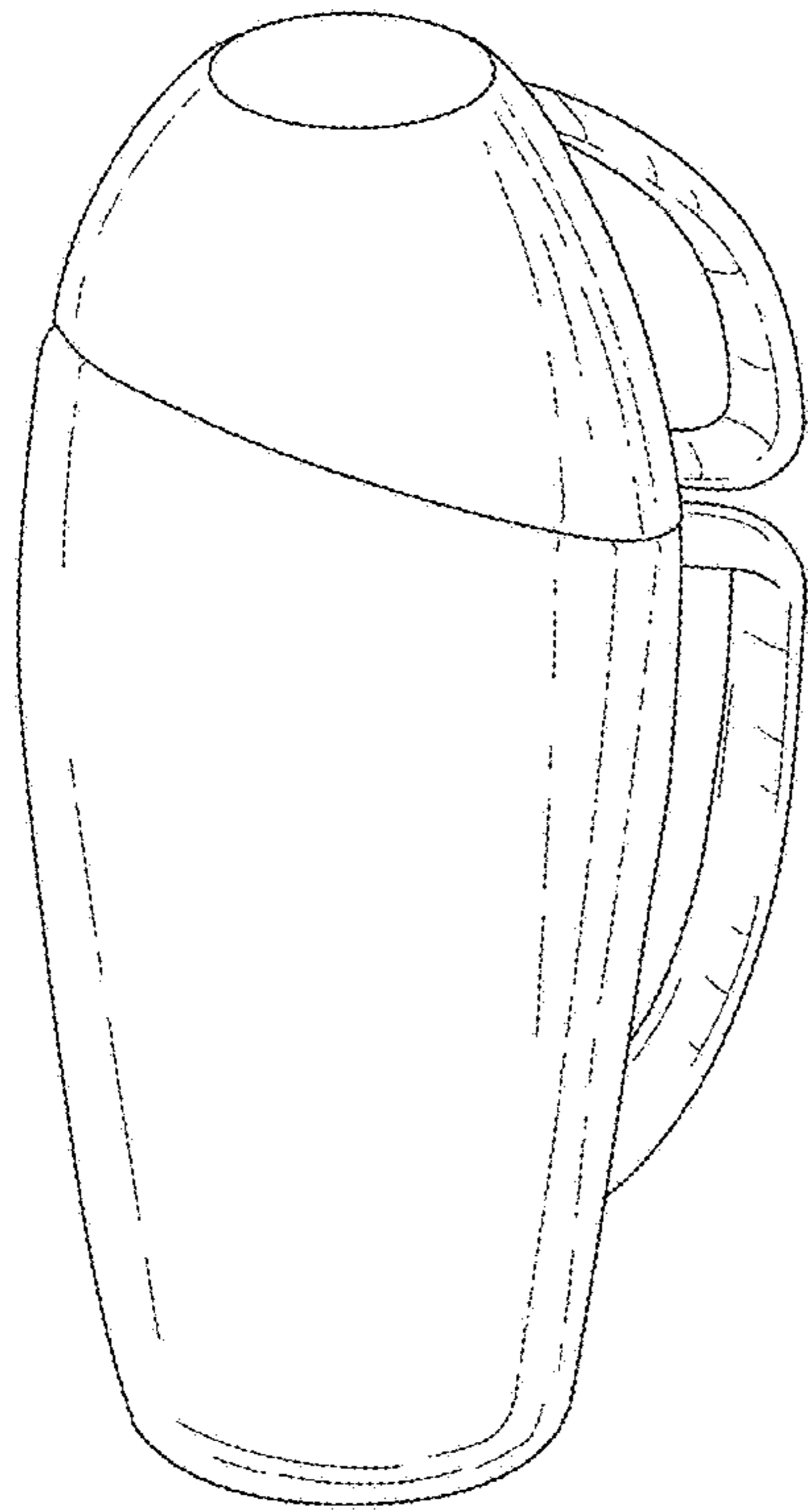


FIG. 1

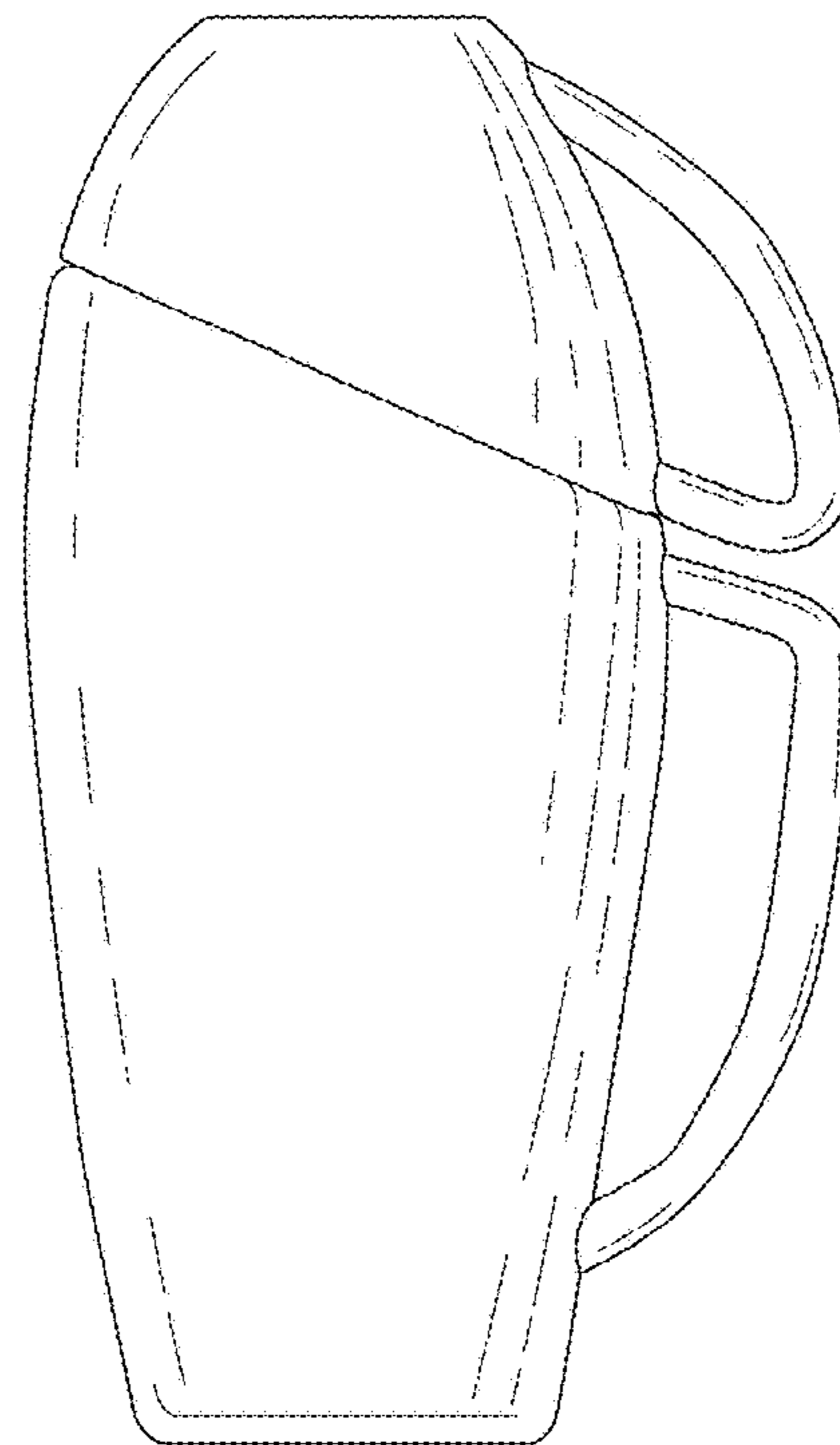


FIG. 2

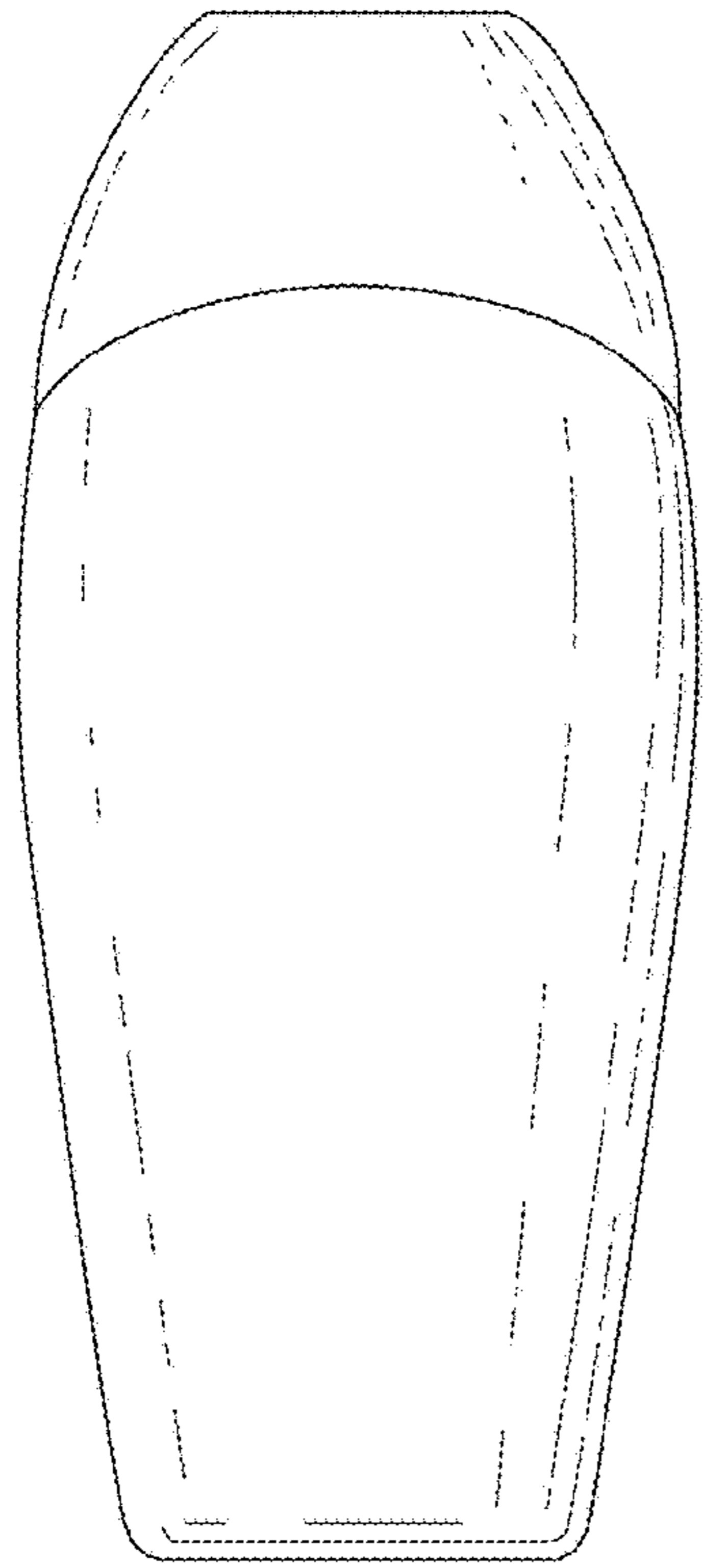


FIG. 3

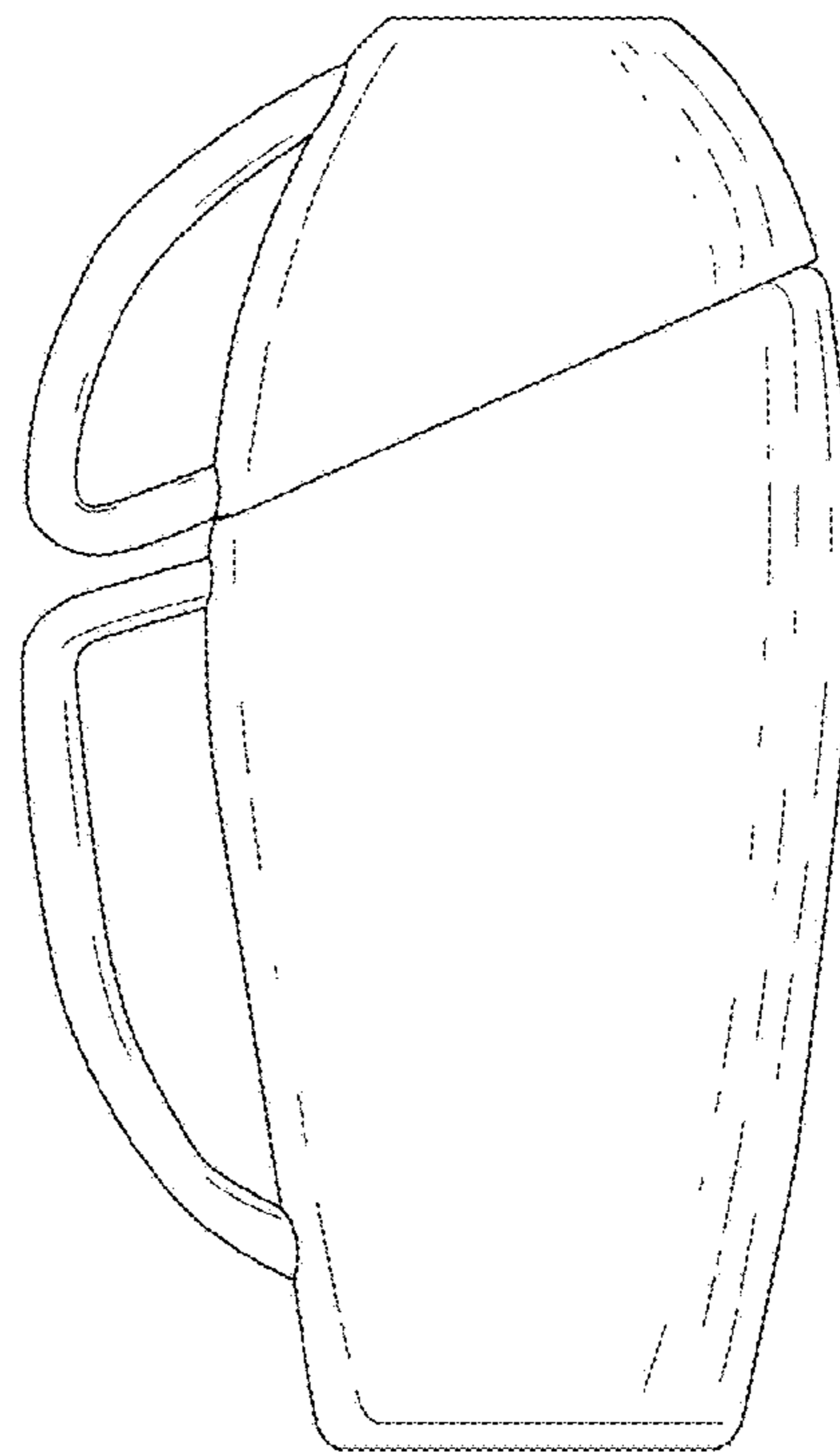


FIG. 4

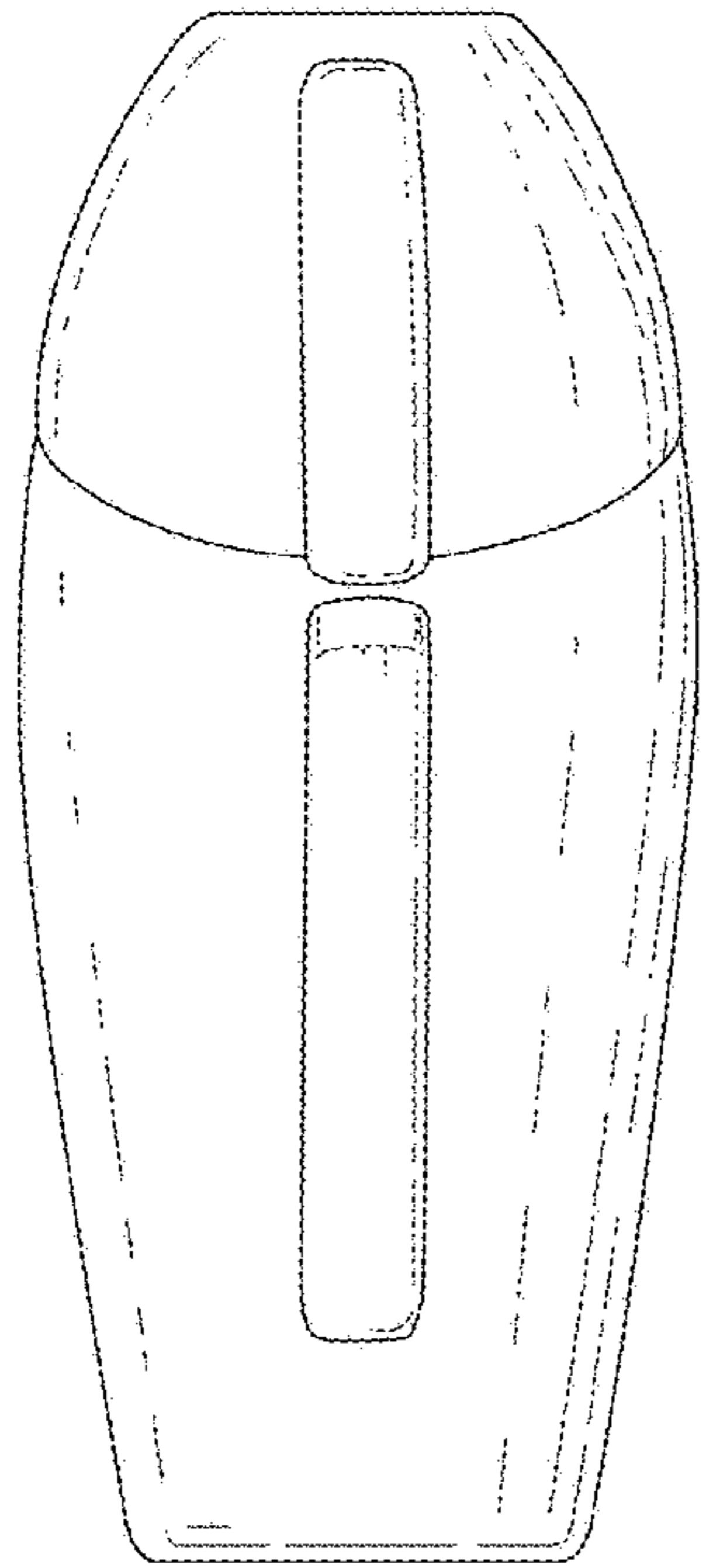


FIG. 5

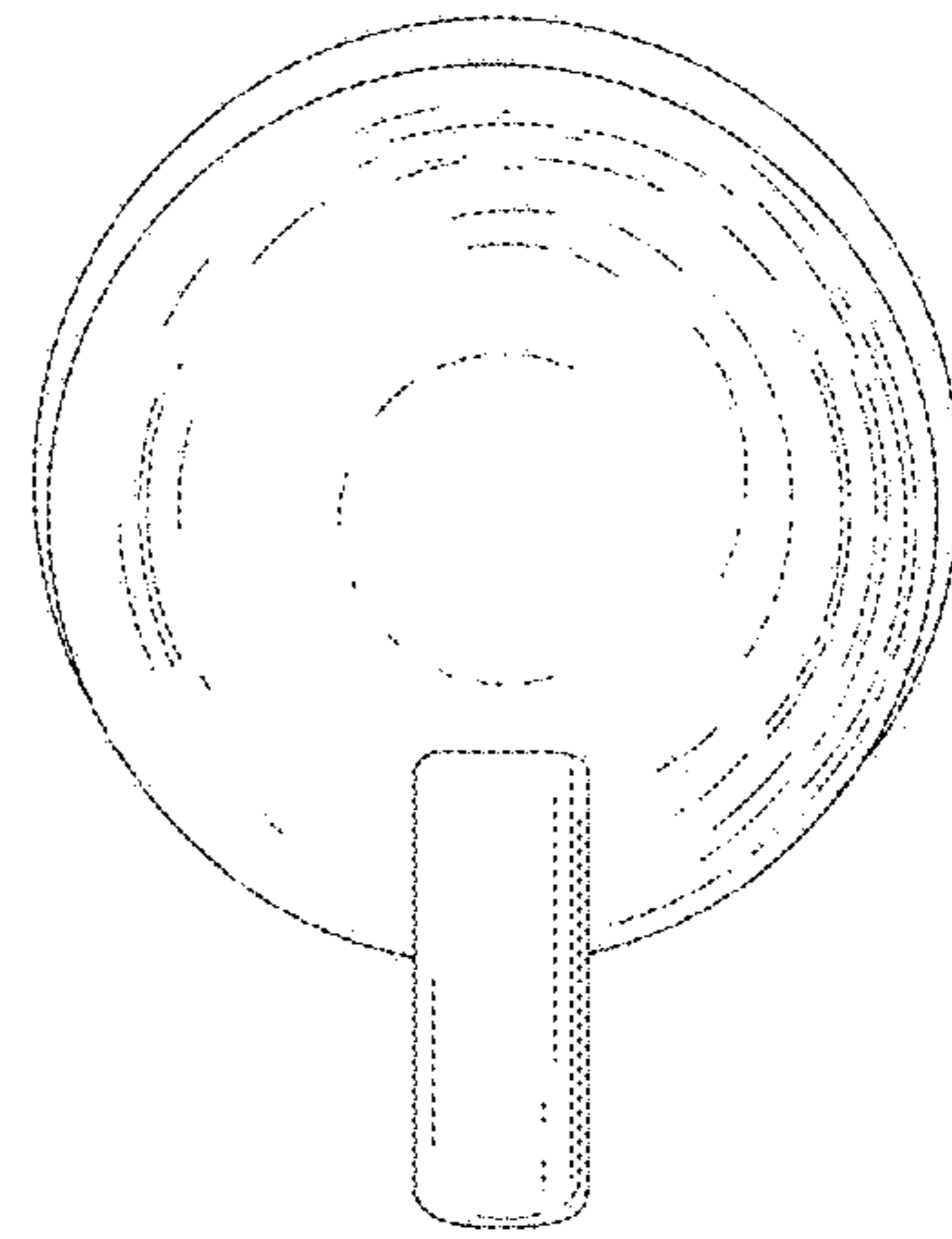


FIG. 6

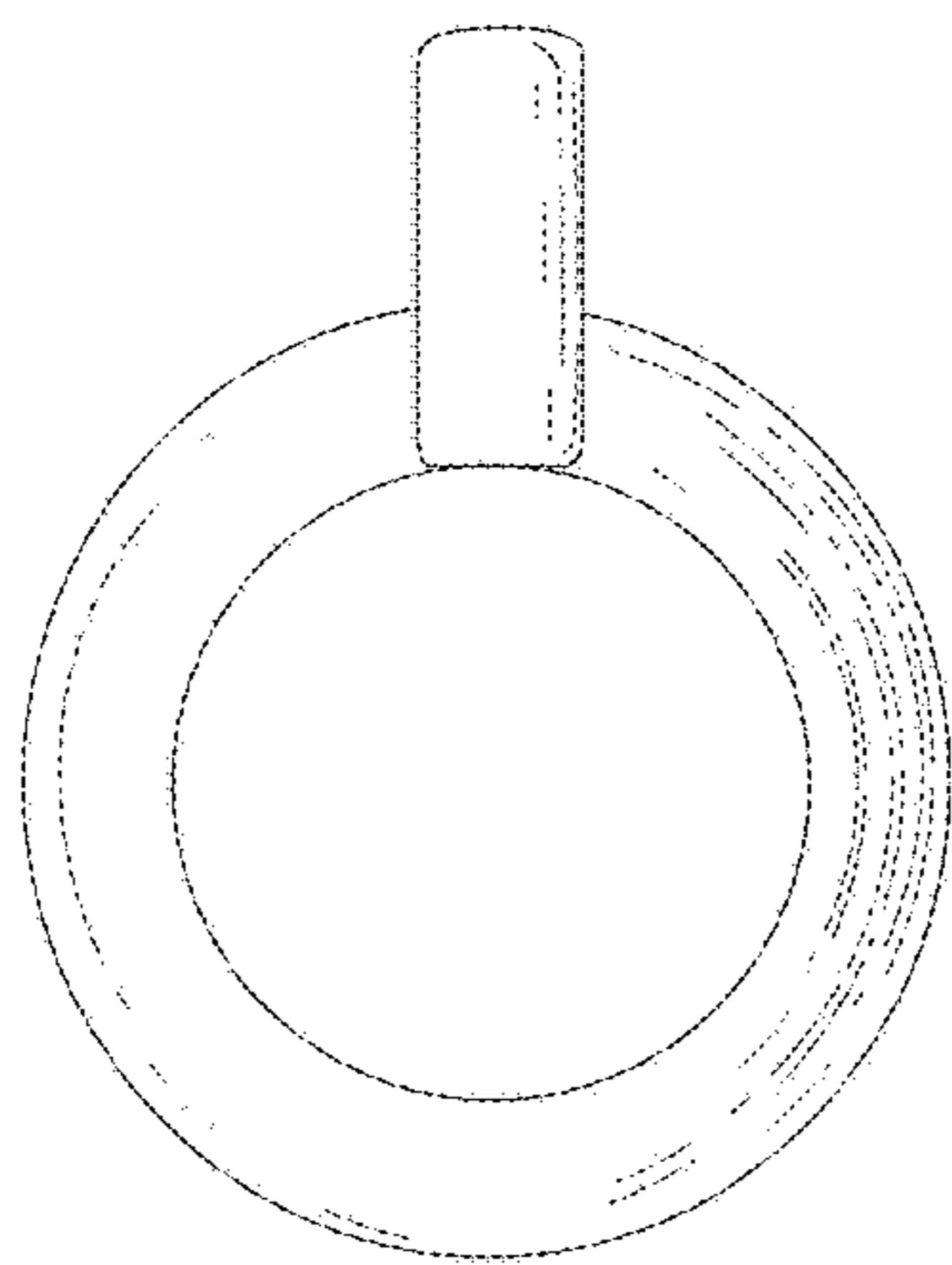


FIG. 7

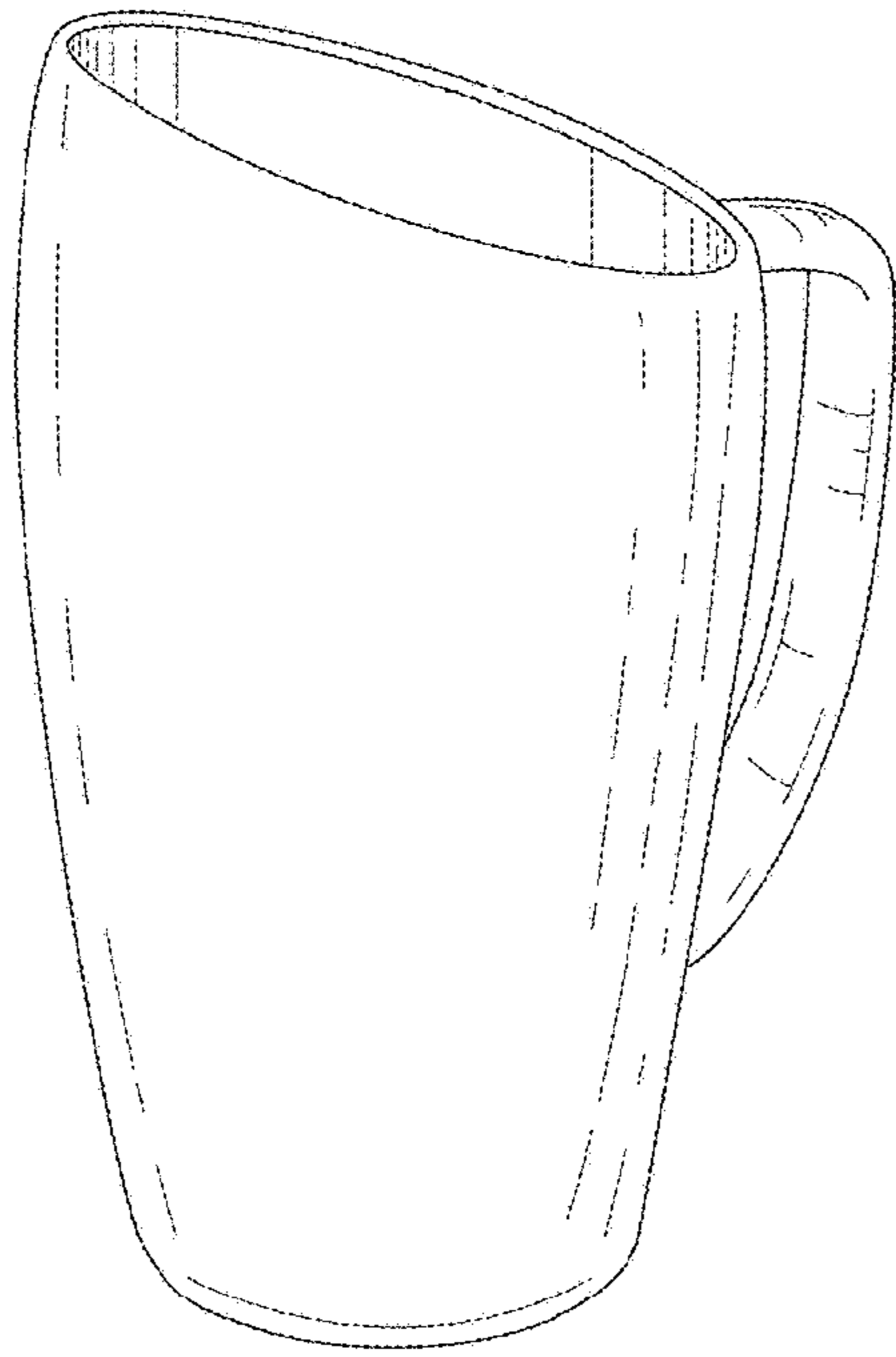


FIG. 8

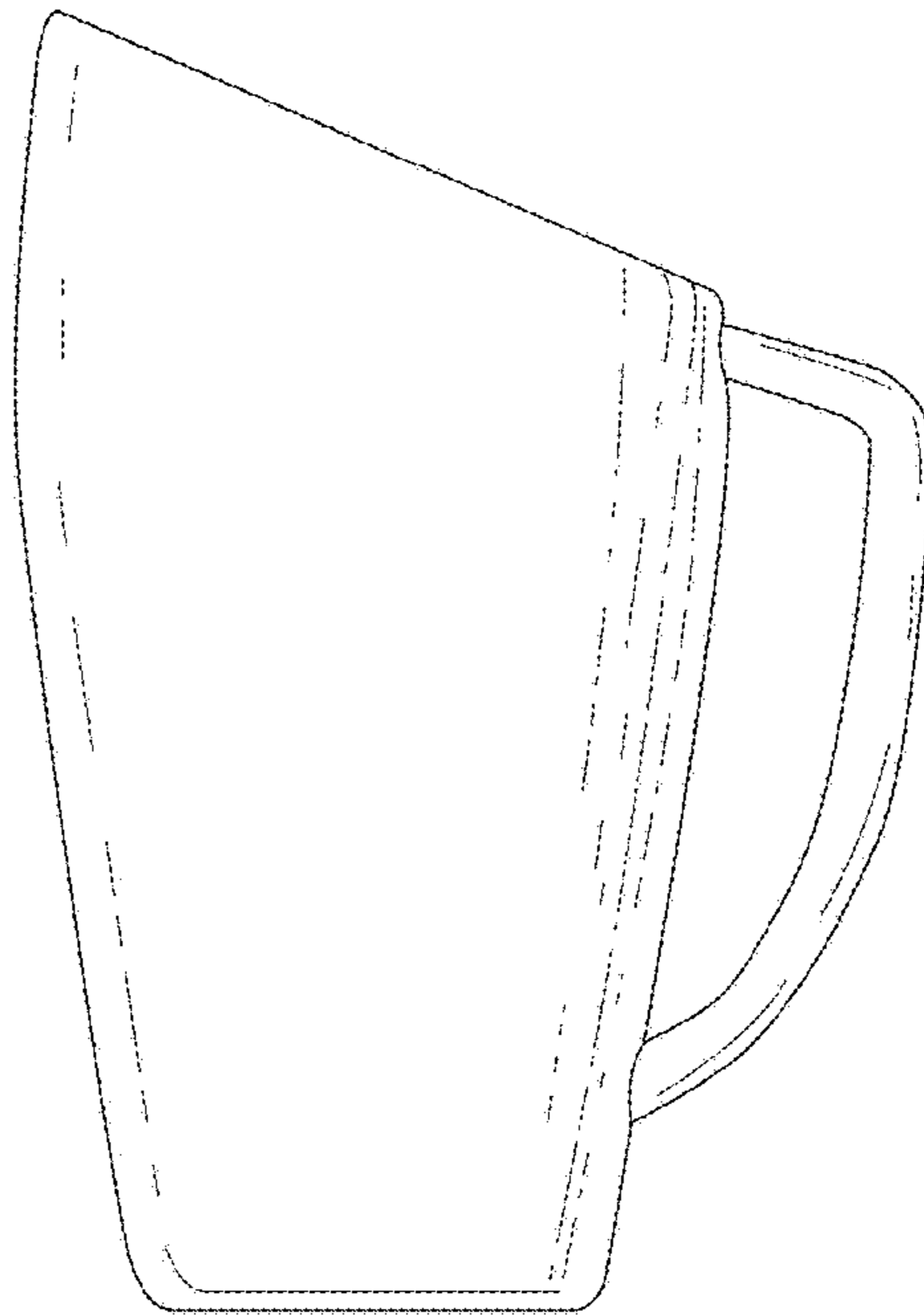


FIG. 9

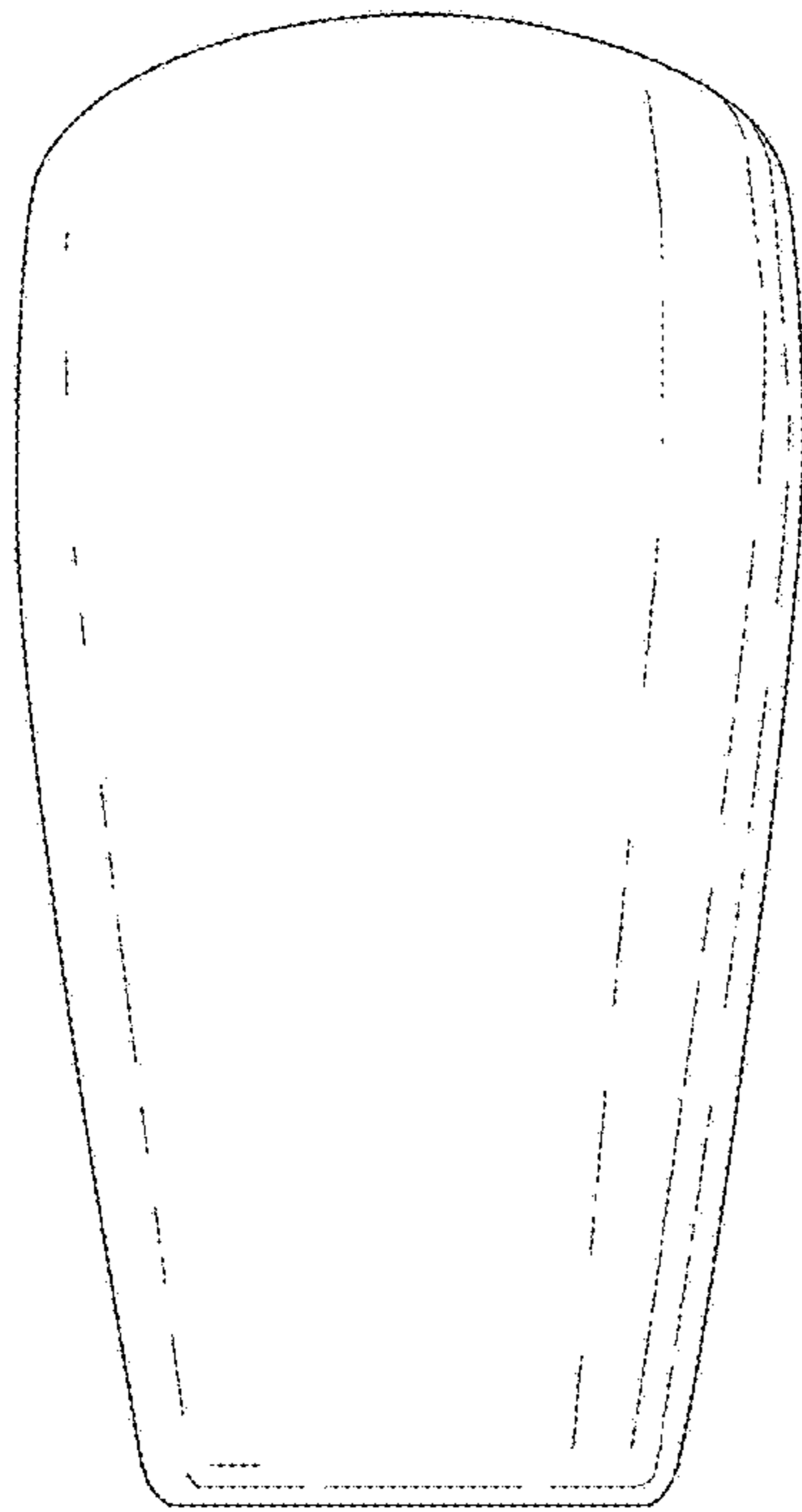


FIG. 10

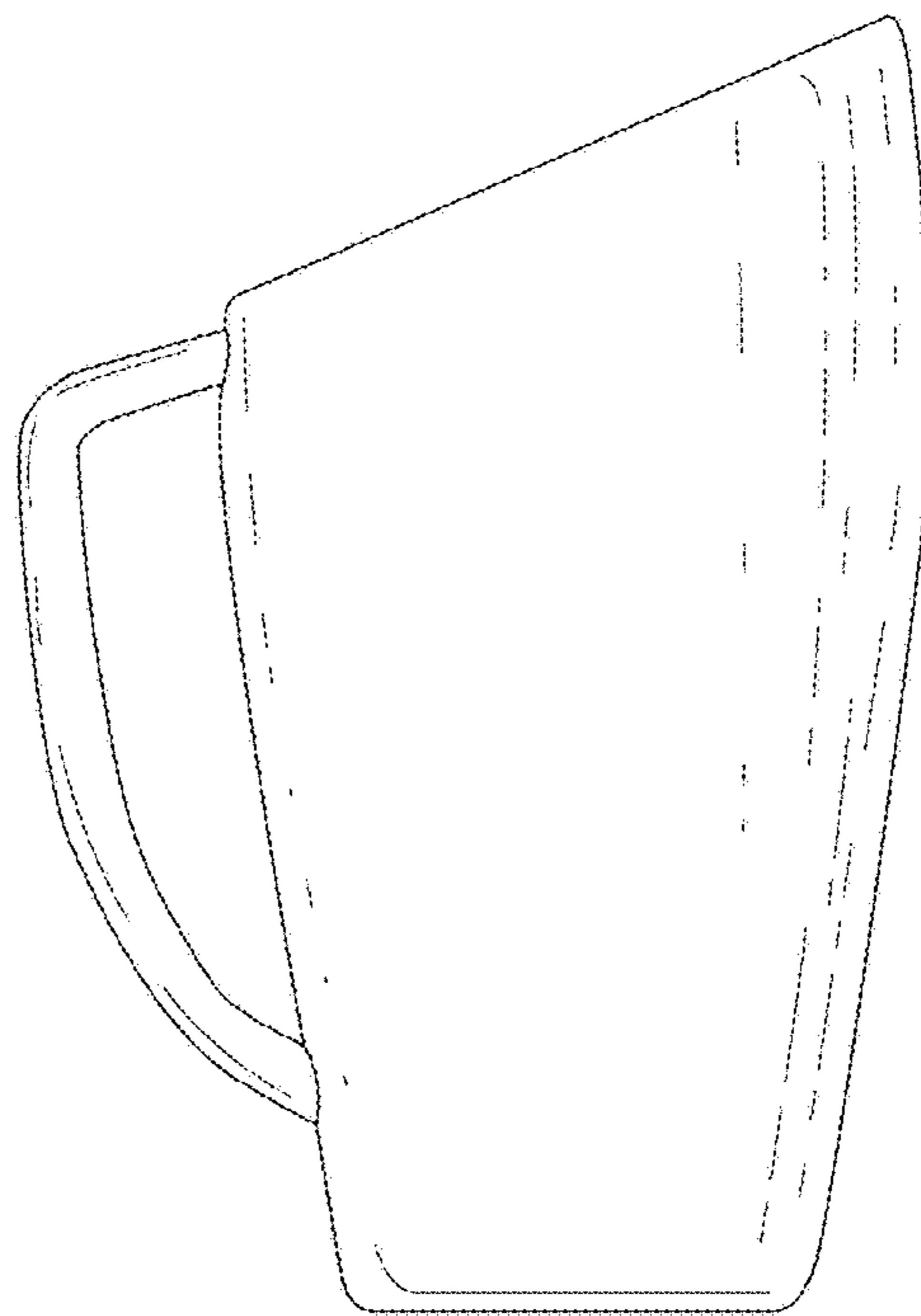


FIG. 11

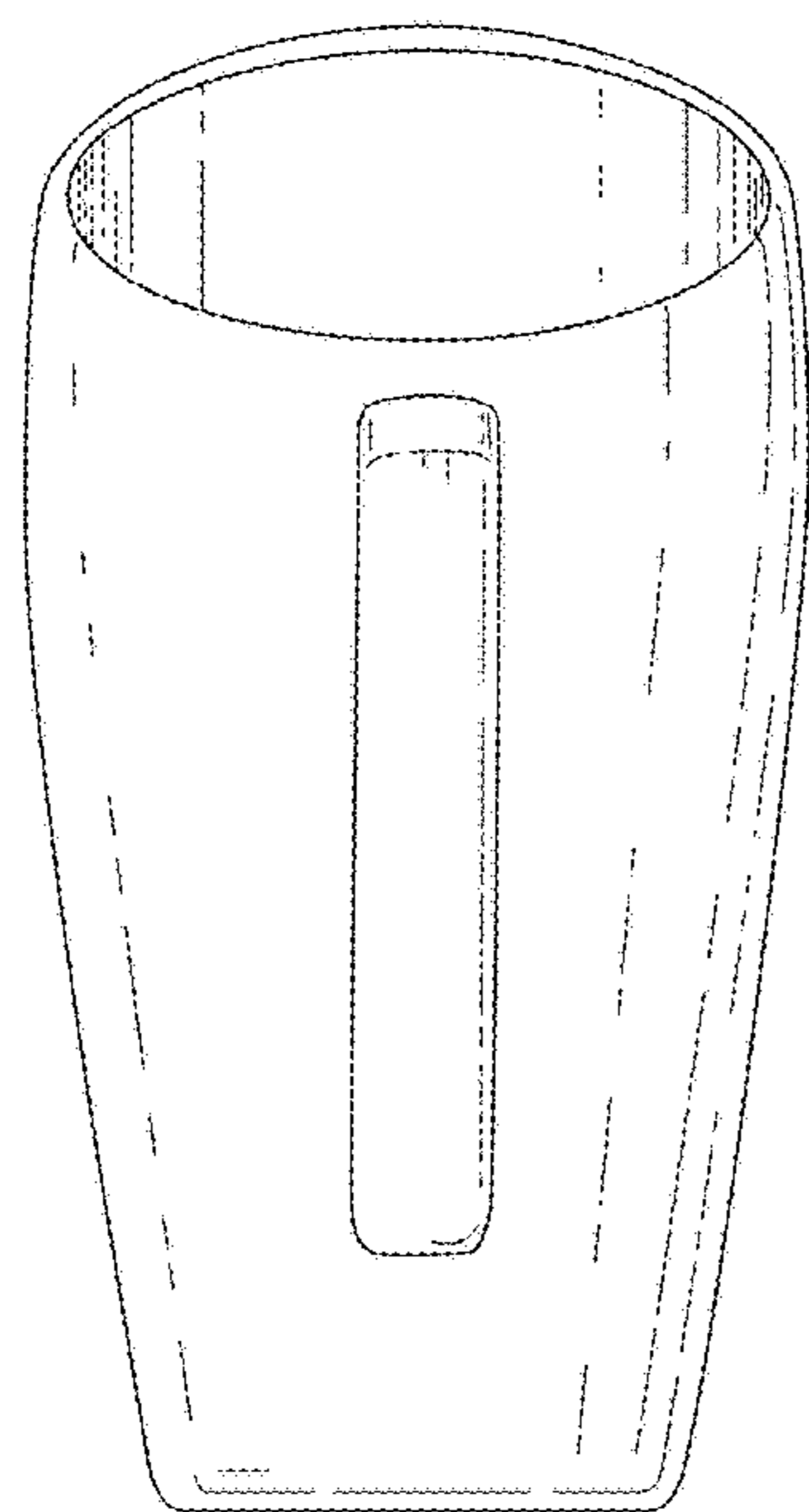


FIG. 12

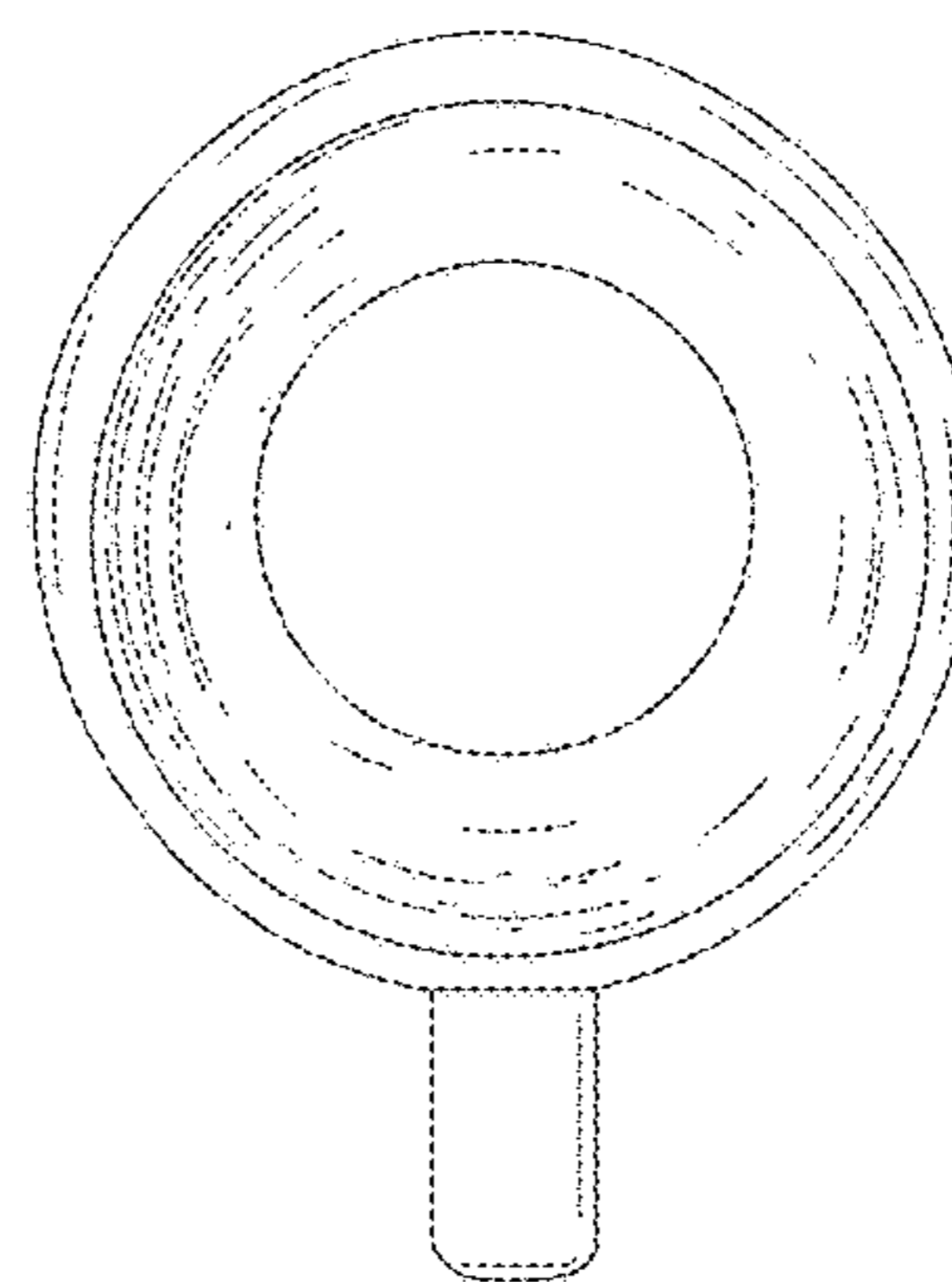


FIG. 13

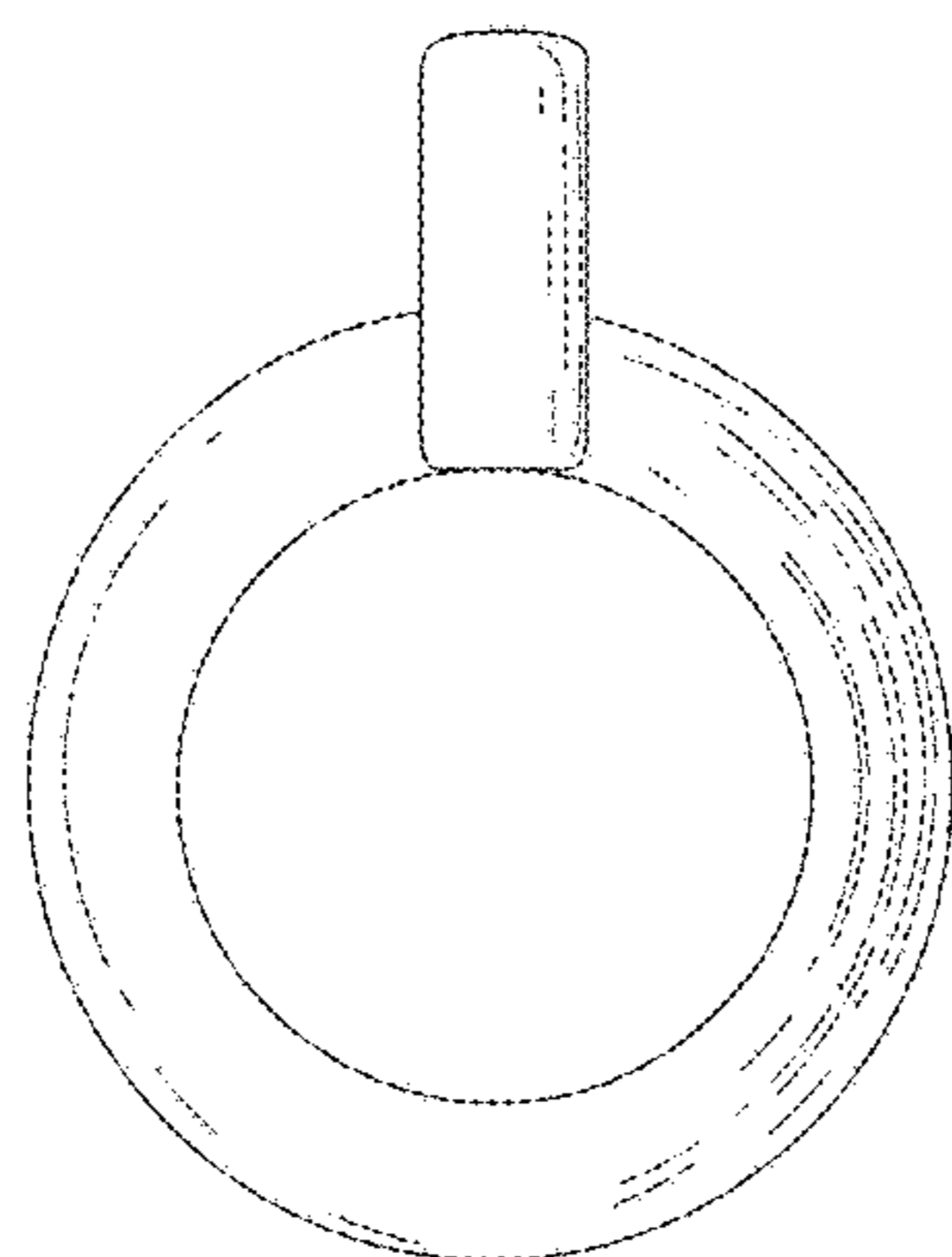


FIG. 14



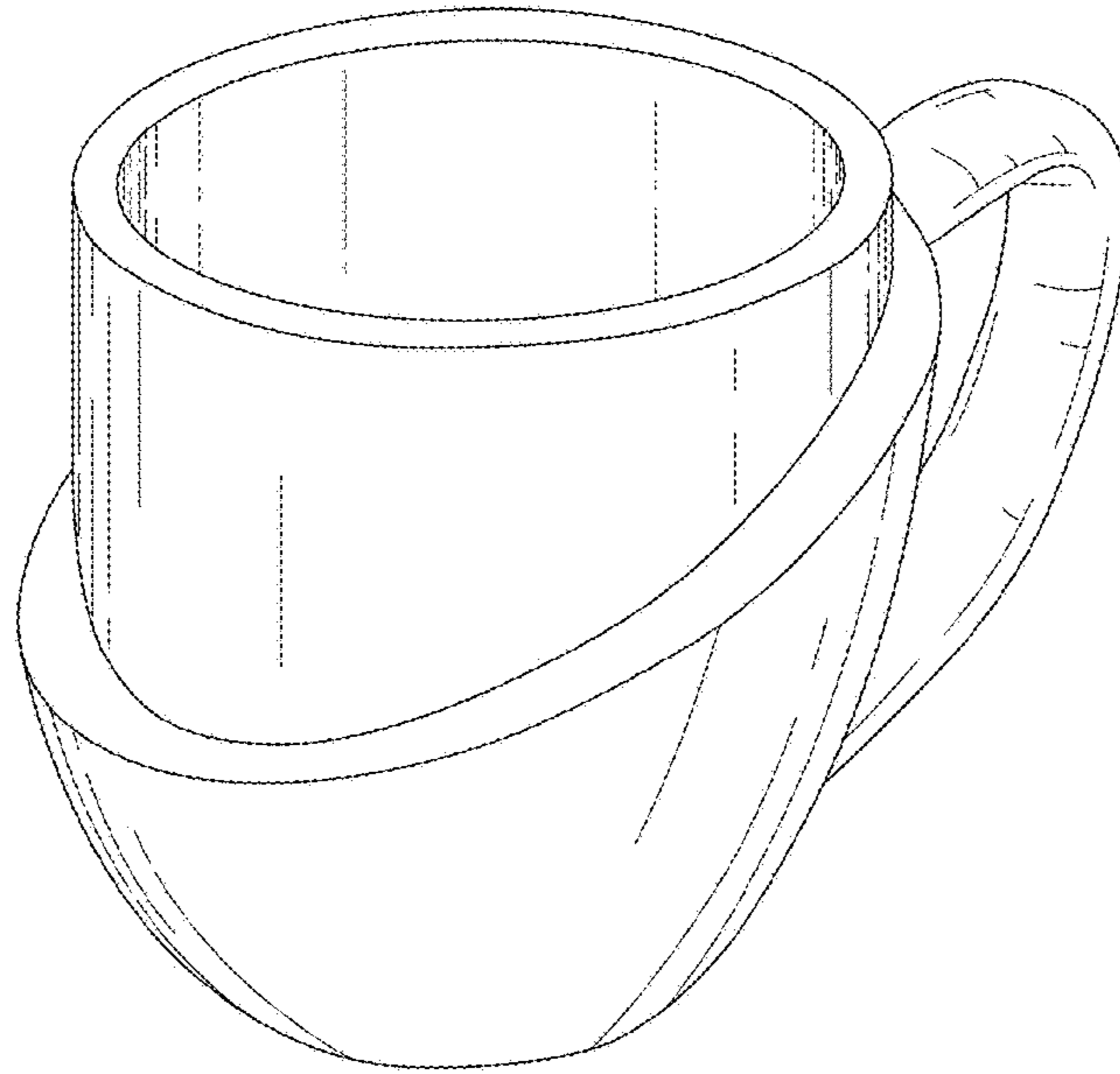


FIG. 15

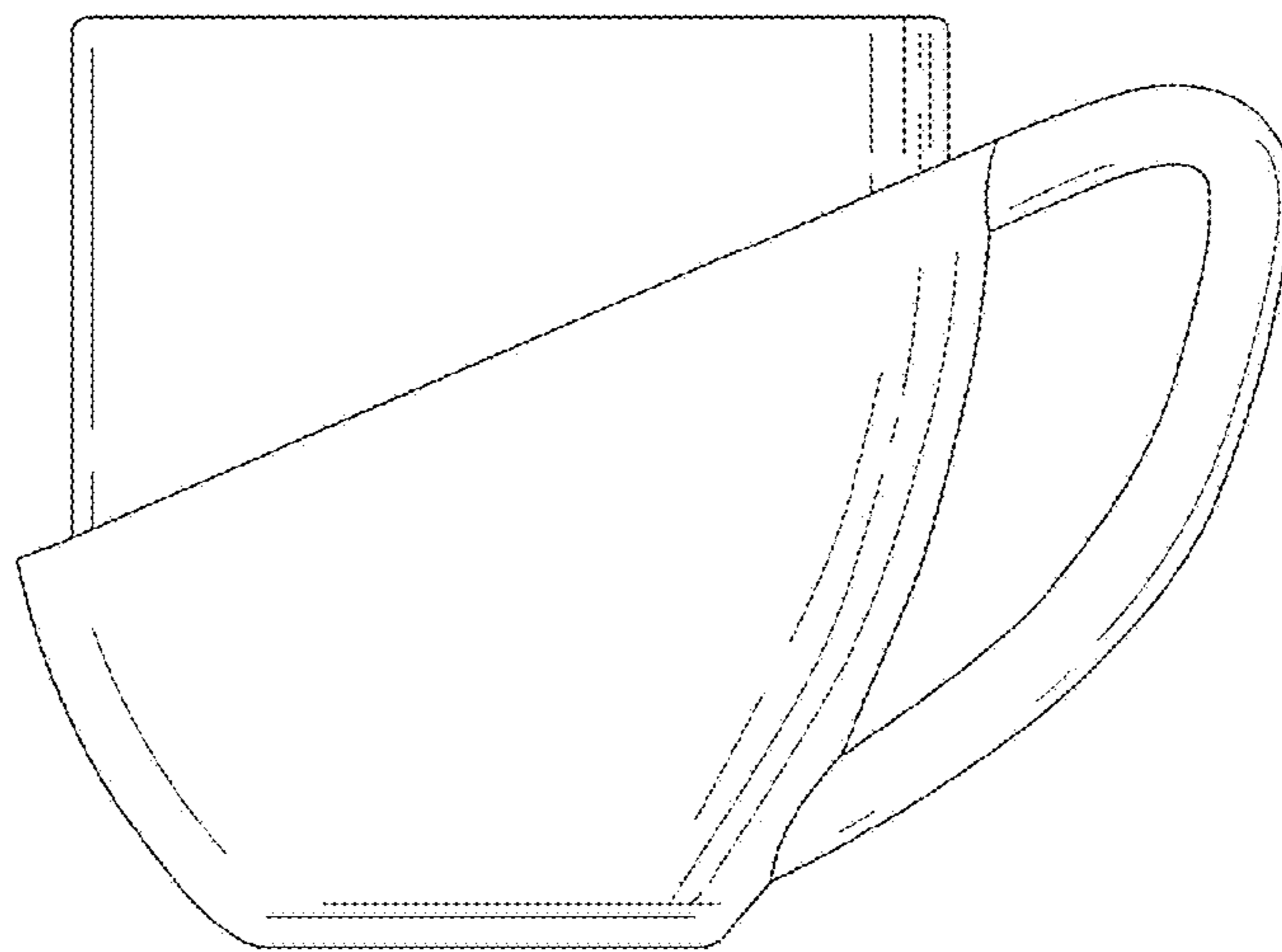


FIG. 16

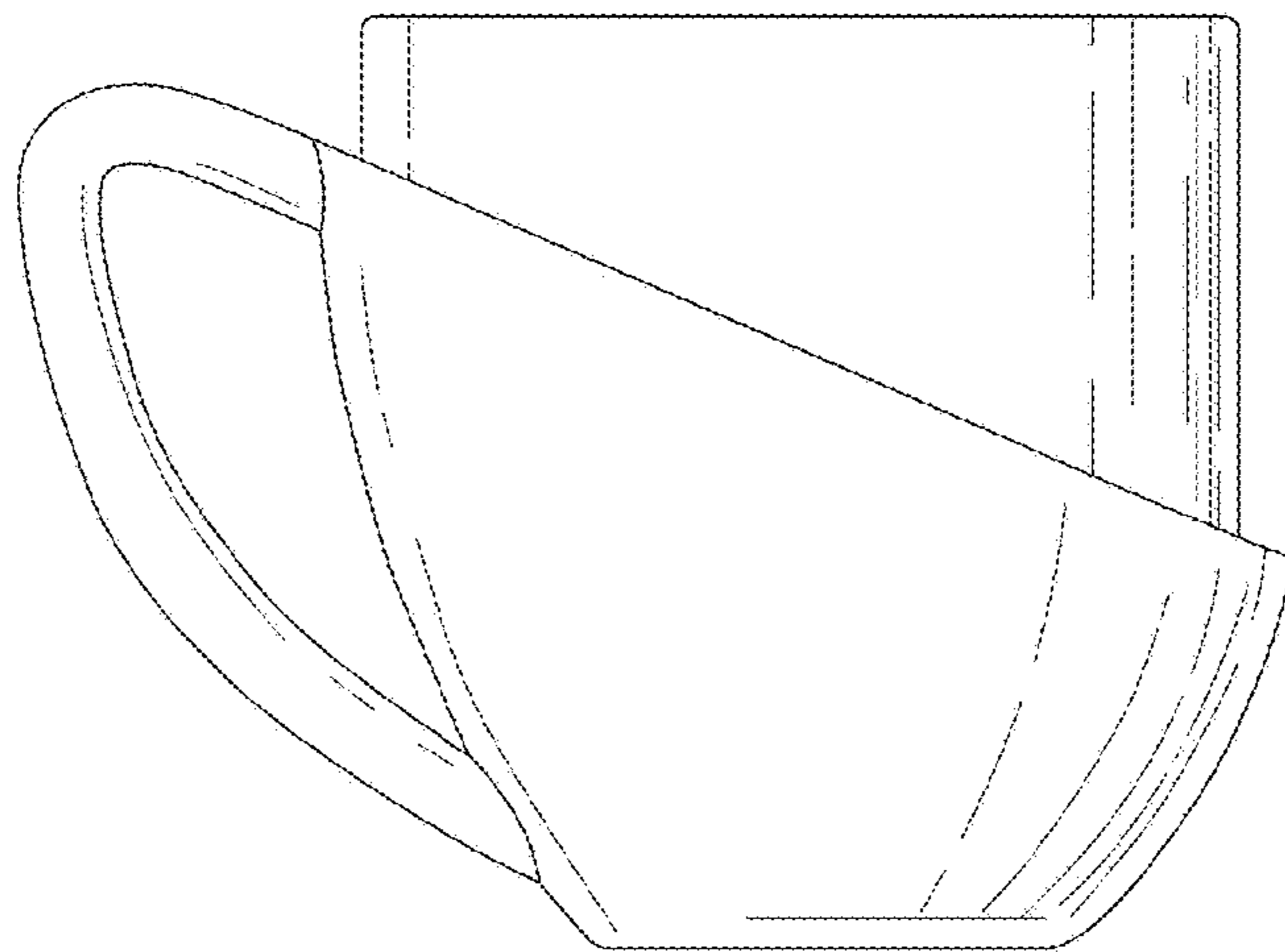


FIG. 17

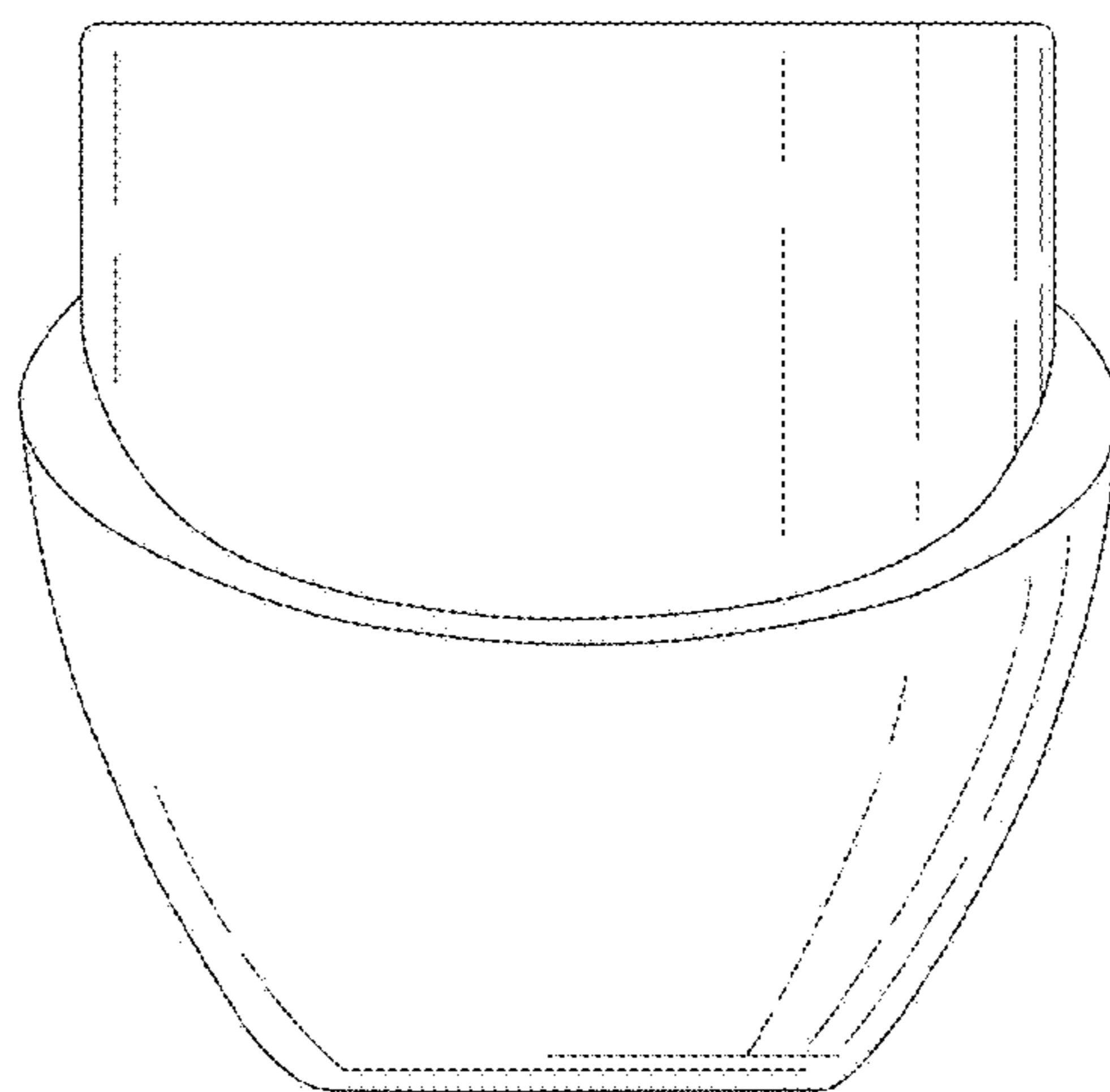


FIG. 18

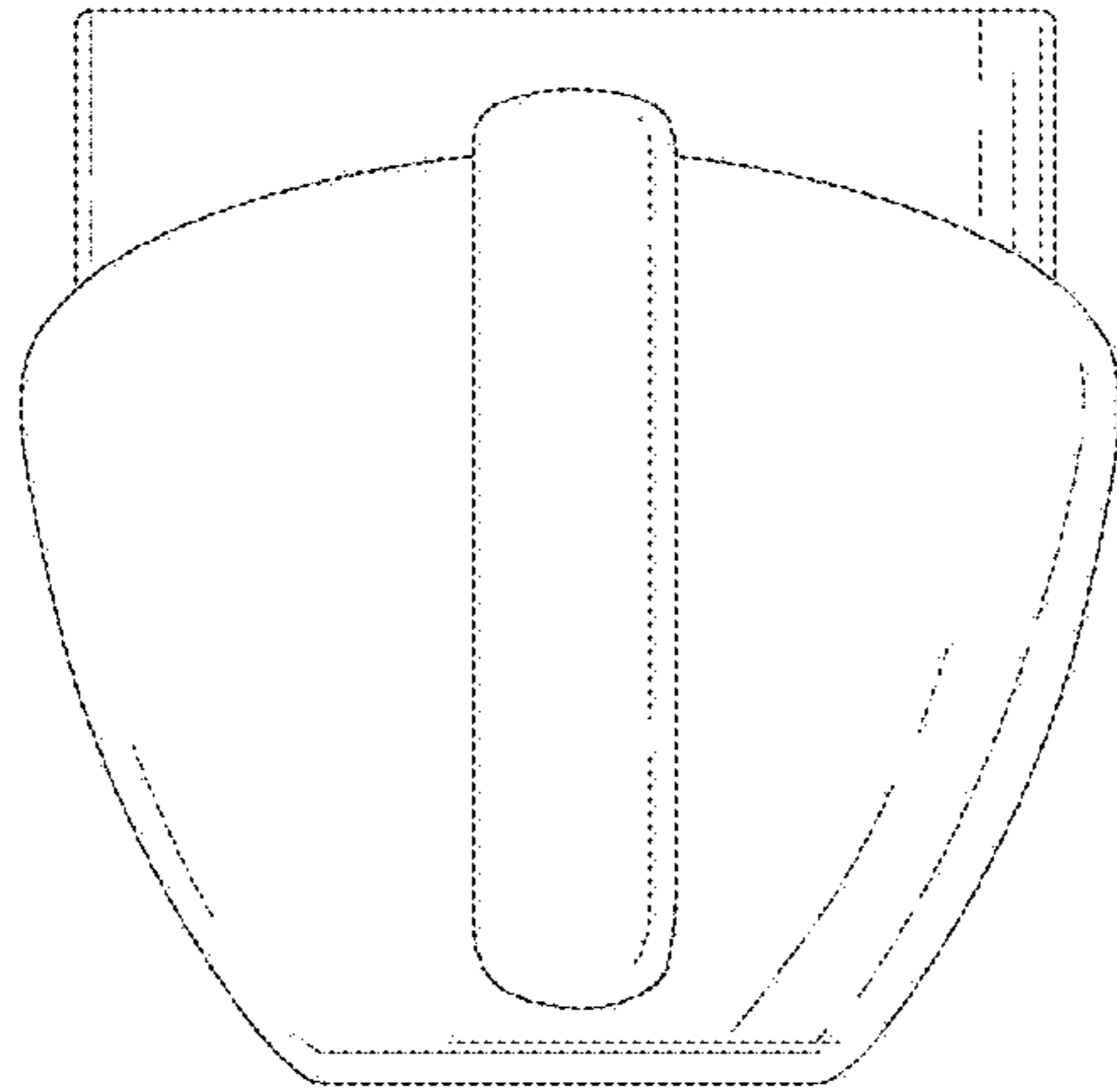


FIG. 19

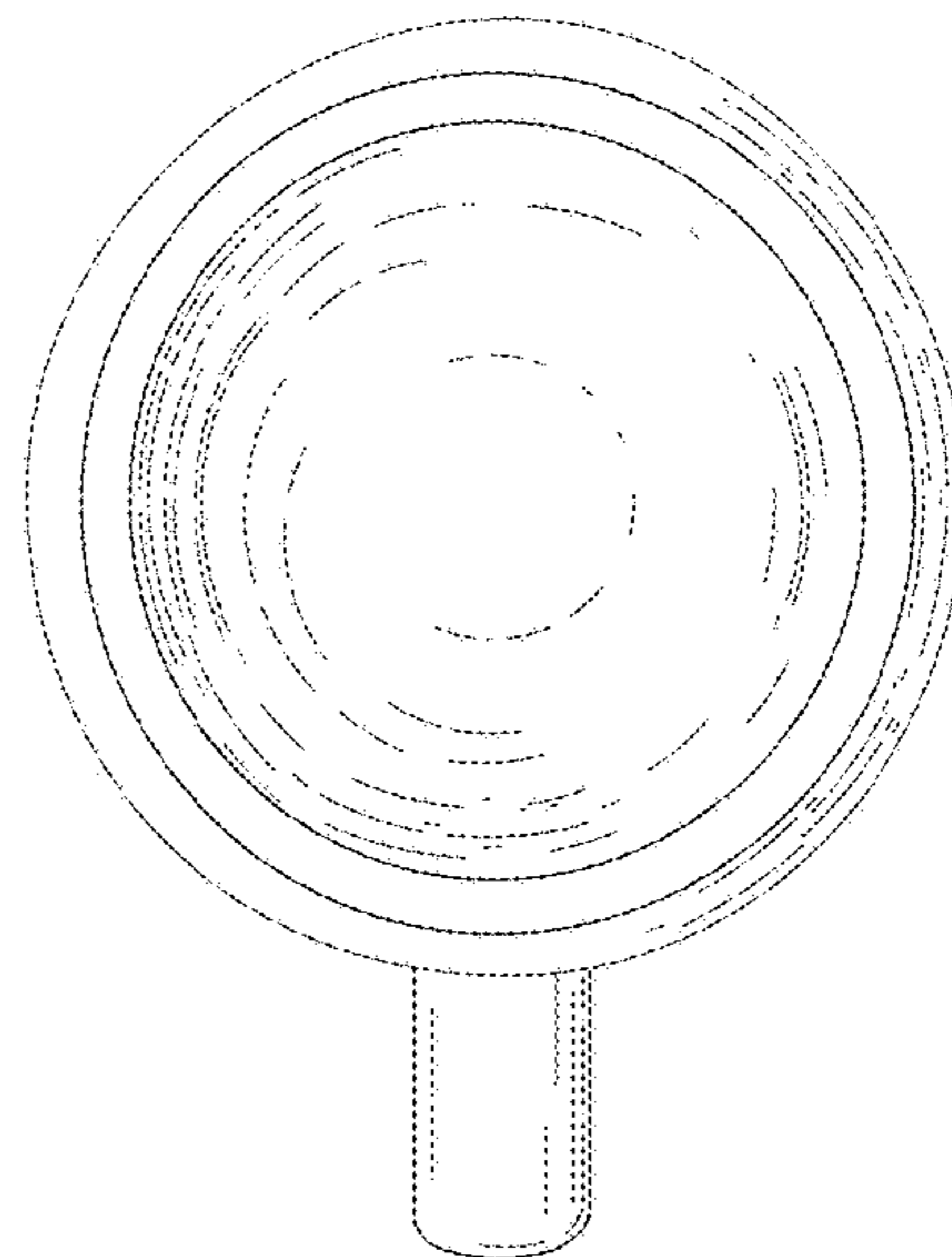


FIG. 20

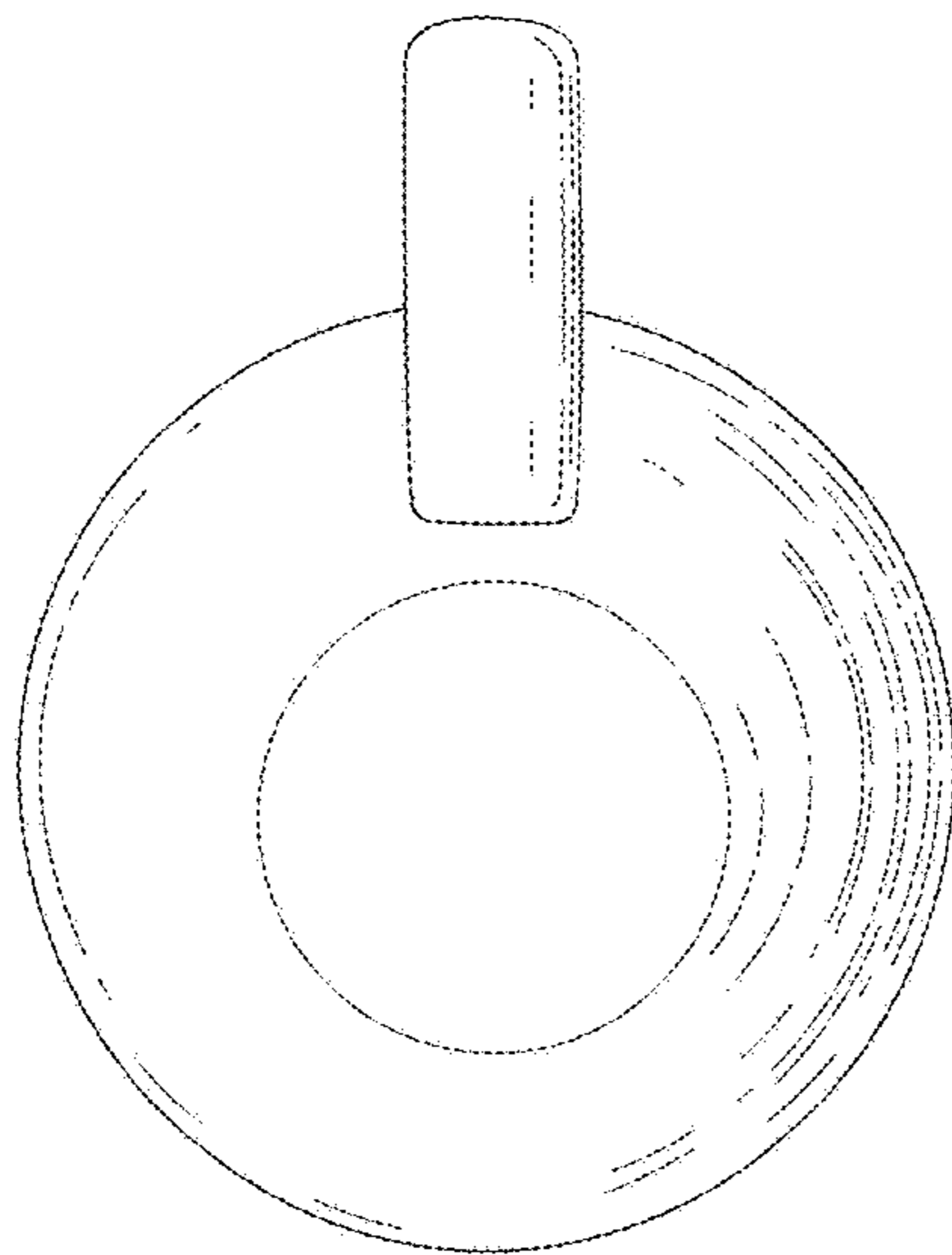


FIG. 21