



US00D851992S

(12) **United States Design Patent** (10) **Patent No.:** **US D851,992 S**  
**Cottam et al.** (45) **Date of Patent:** **\*\* Jun. 25, 2019**

(54) **MIXER**  
(71) Applicants: **Steven Cottam**, Ivins, UT (US); **Phillip Dietz**, Saint George, UT (US)  
(72) Inventors: **Steven Cottam**, Ivins, UT (US); **Phillip Dietz**, Saint George, UT (US)

D694,573 S \* 12/2013 Norland ..... D7/376  
D766,649 S \* 9/2016 Suzuki ..... D7/376  
D786,615 S \* 5/2017 Tsai ..... D7/376  
D796,896 S \* 9/2017 Blaise ..... D7/376  
2014/0247686 A1 \* 9/2014 Arnett ..... A47J 43/046  
366/205

(\*\*) Term: **15 Years**

(21) Appl. No.: **29/597,176**

(22) Filed: **Mar. 15, 2017**

(51) **LOC (11) Cl.** ..... **07-99**

(52) **U.S. Cl.**  
USPC ..... **D7/412**

(58) **Field of Classification Search**  
USPC ..... D7/323-332, 334, 336-339, 346-348,  
D7/354-359, 368, 372, 376-388, 397,  
D7/402-415, 665-669, 672-677,  
D7/683-689, 693, 694; 241/98, 167,  
241/199.12, 282.1, 282.2, 37.5, 101.1, 92,  
241/93, 726, 751; 366/197, 123, 130,  
366/142, 199, 204, 205, 279, 314  
CPC .. A47J 43/046; A47J 43/0787; A47J 43/0716;  
A47J 43/0766; B01F 7/162; B01F 3/00;  
B01F 3/0807; B01F 3/0853; B01F  
13/0059; B01F 13/0064  
See application file for complete search history.

(56) **References Cited**

**U.S. PATENT DOCUMENTS**

D389,696 S \* 1/1998 Feil ..... D7/386  
D404,607 S \* 1/1999 Huang ..... D7/378  
D631,282 S \* 1/2011 Ferraby ..... D7/384  
D641,197 S \* 7/2011 Borin ..... D7/326  
D668,501 S \* 10/2012 Hensel ..... D7/376

**OTHER PUBLICATIONS**

Available Mar. 13, 2017, [online], [site visited May 7, 2018]. Available from Internet, URL: [https://www.amazon.com/Ankarsrum-AKM-6230-Electric-Diamond/dp/B076H8H2QX/ref=sr\\_1\\_37](https://www.amazon.com/Ankarsrum-AKM-6230-Electric-Diamond/dp/B076H8H2QX/ref=sr_1_37) (Year: 2018).  
Available 5/7/2018, [online], [site visited May 7, 2018]. Available from Internet, URL: <https://www.dhgate.com/store/product/toption-laboratory-economical-magnetic-stirrer/404801381.html> (Year: 2018).\*

\* cited by examiner

*Primary Examiner* — Cathron C Brooks  
*Assistant Examiner* — Katrina N Gonzalez  
(74) *Attorney, Agent, or Firm* — Zachary D. Renstrom

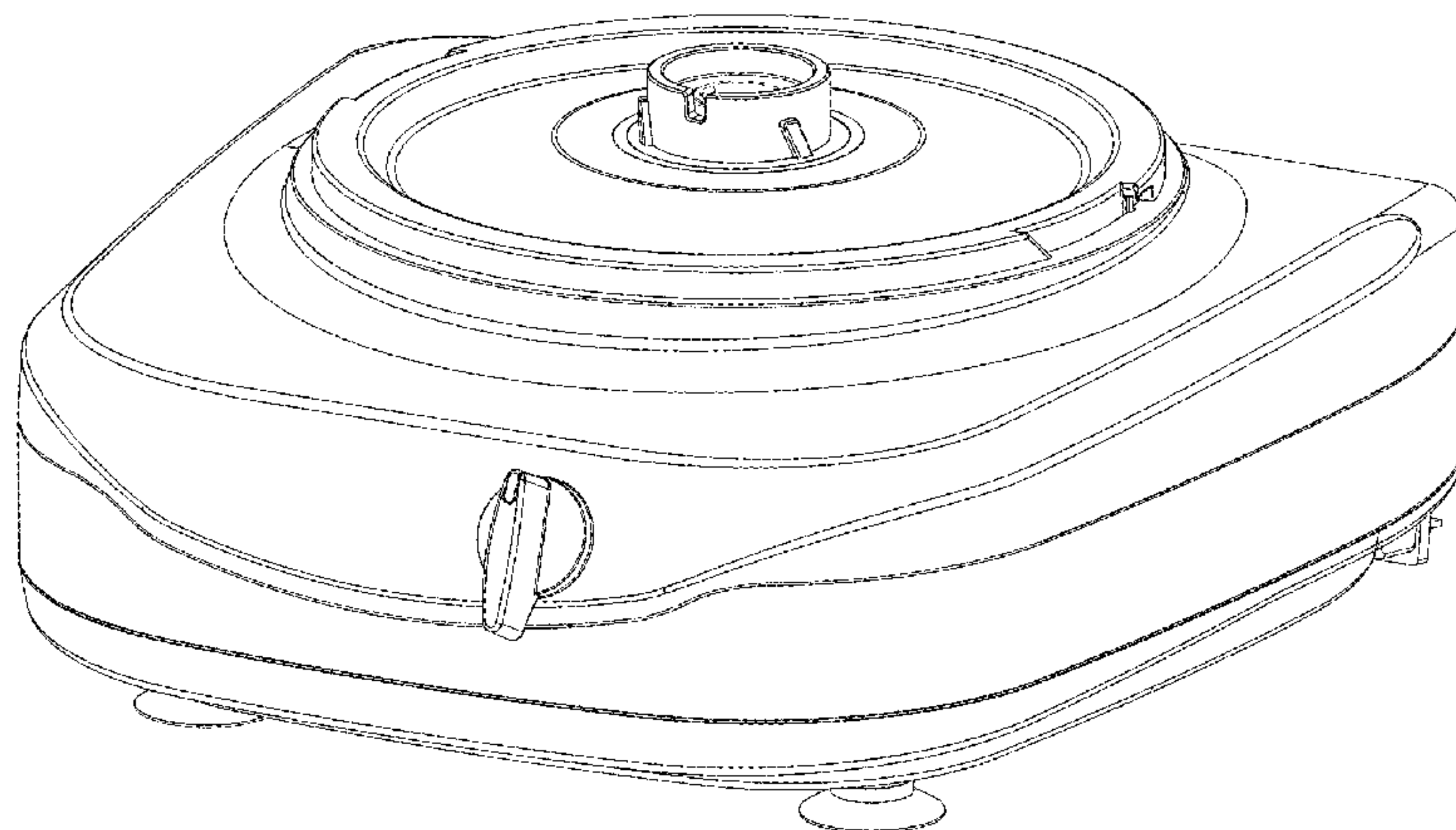
(57) **CLAIM**

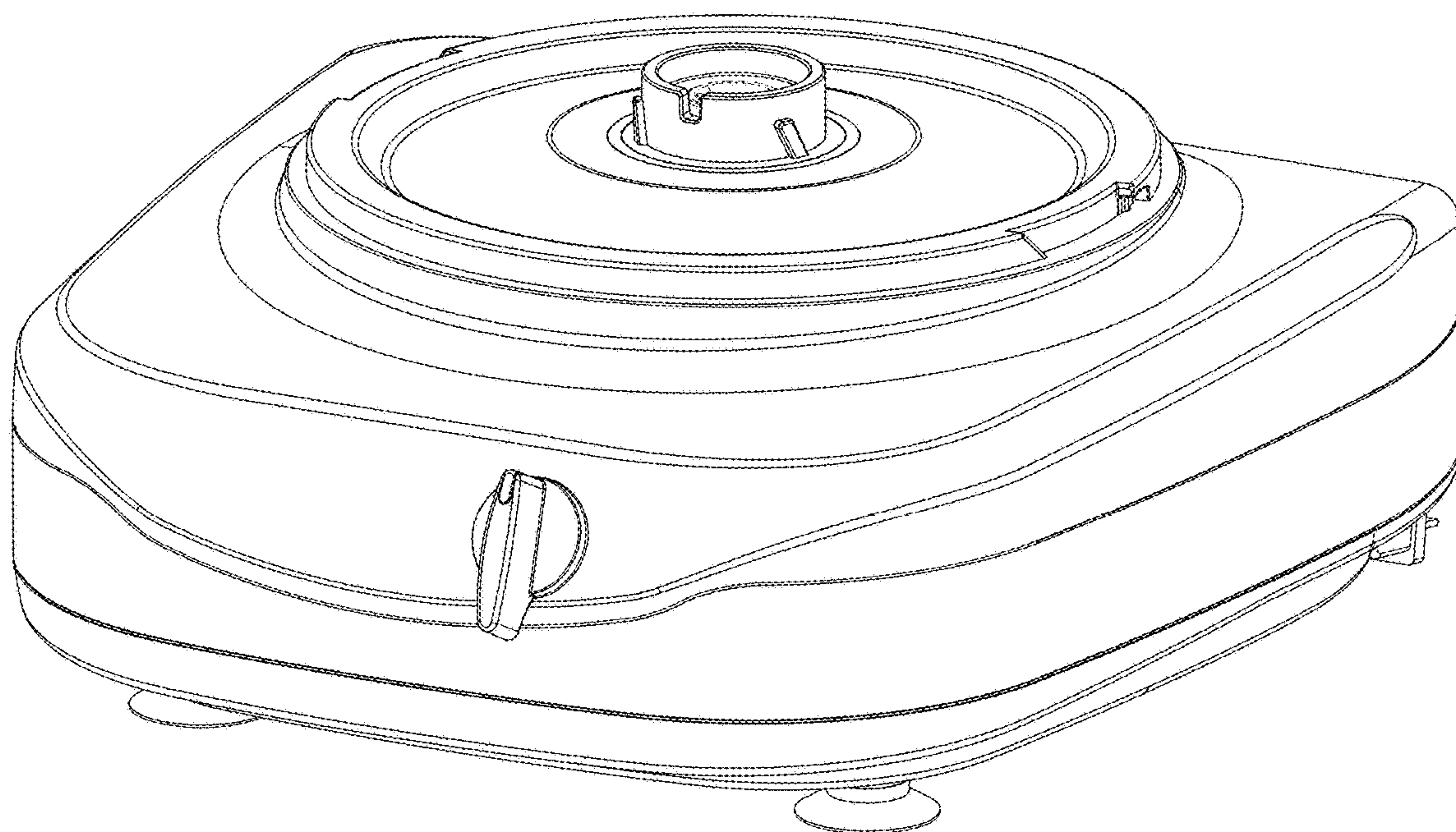
The ornamental design for a mixer, as shown and described.

**DESCRIPTION**

FIG. 1 is a top, front perspective view of a mixer, showing our new design;  
FIG. 2 is a top, back perspective view thereof;  
FIG. 3 is a front elevational view thereof; shown with a mixing bowl attached;  
FIG. 4 is a top plan view of the design in FIG. 1; and,  
FIG. 5 is a side elevational view thereof.  
The mixing bowl shown in FIG. 3 illustrates environmental structure that forms no part of the claimed design. The remaining broken lines illustrate portions of the mixer that form no part of the claimed design.

**1 Claim, 5 Drawing Sheets**





*FIG. 1*

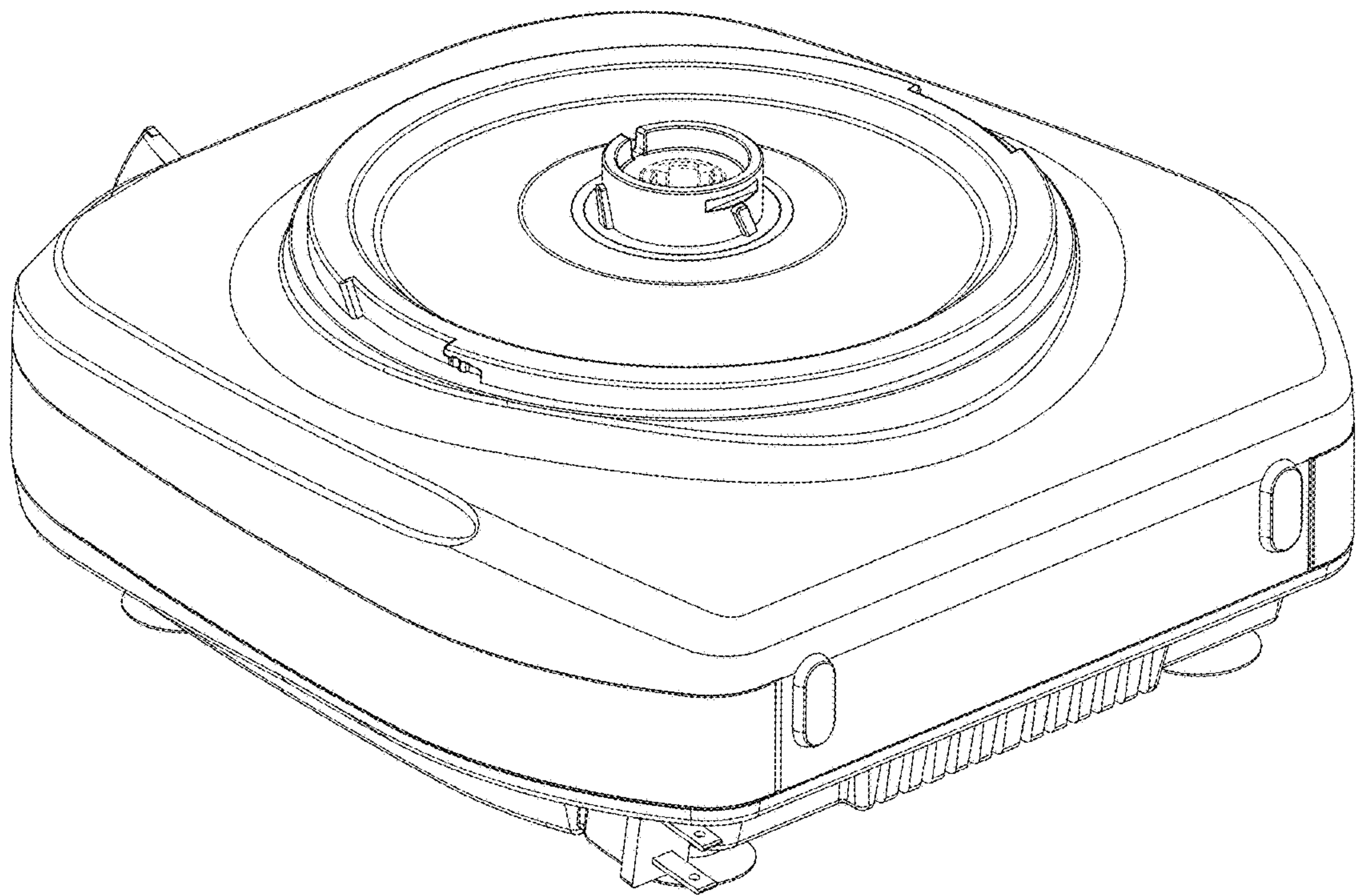


FIG. 2



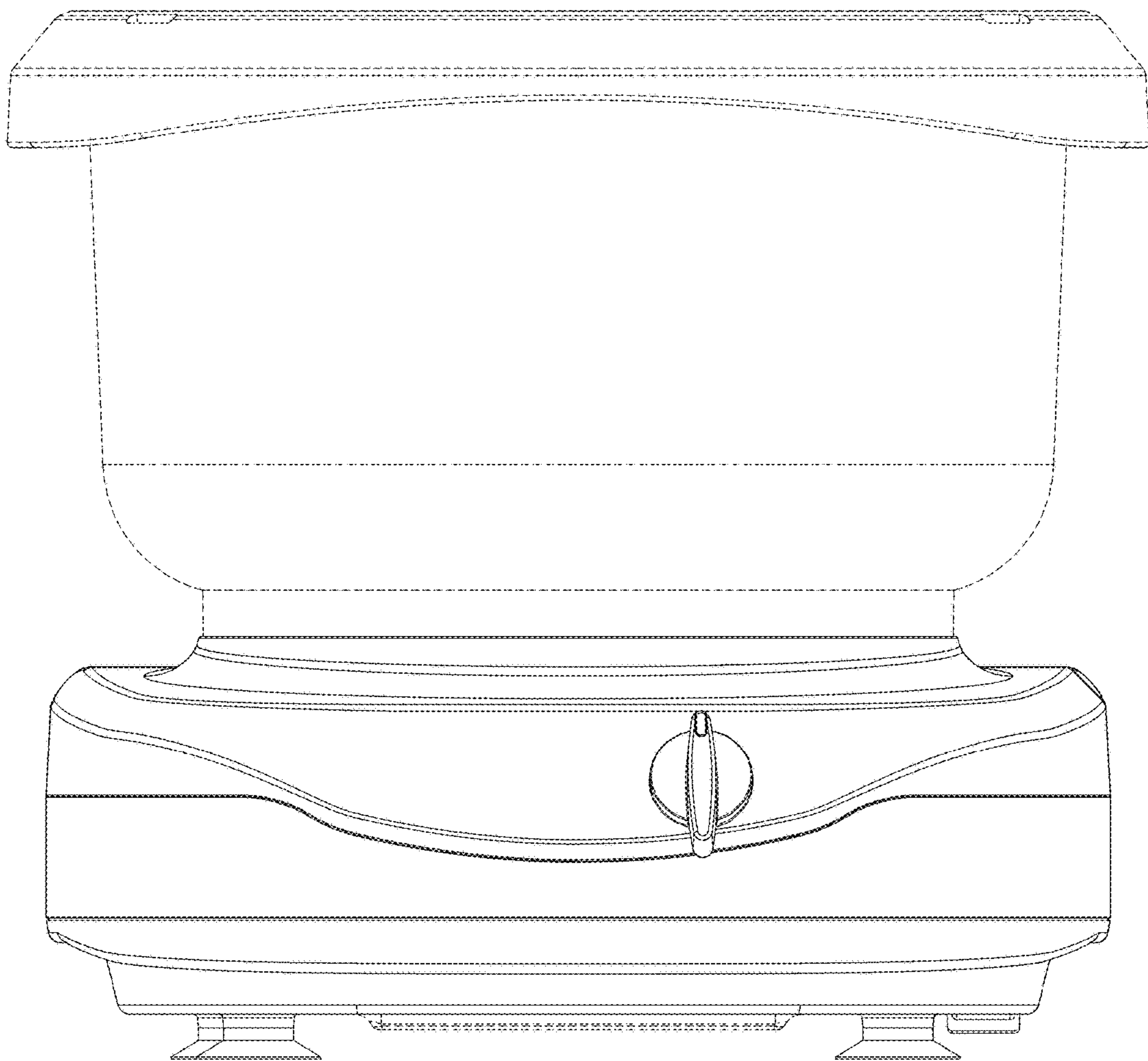


FIG. 3

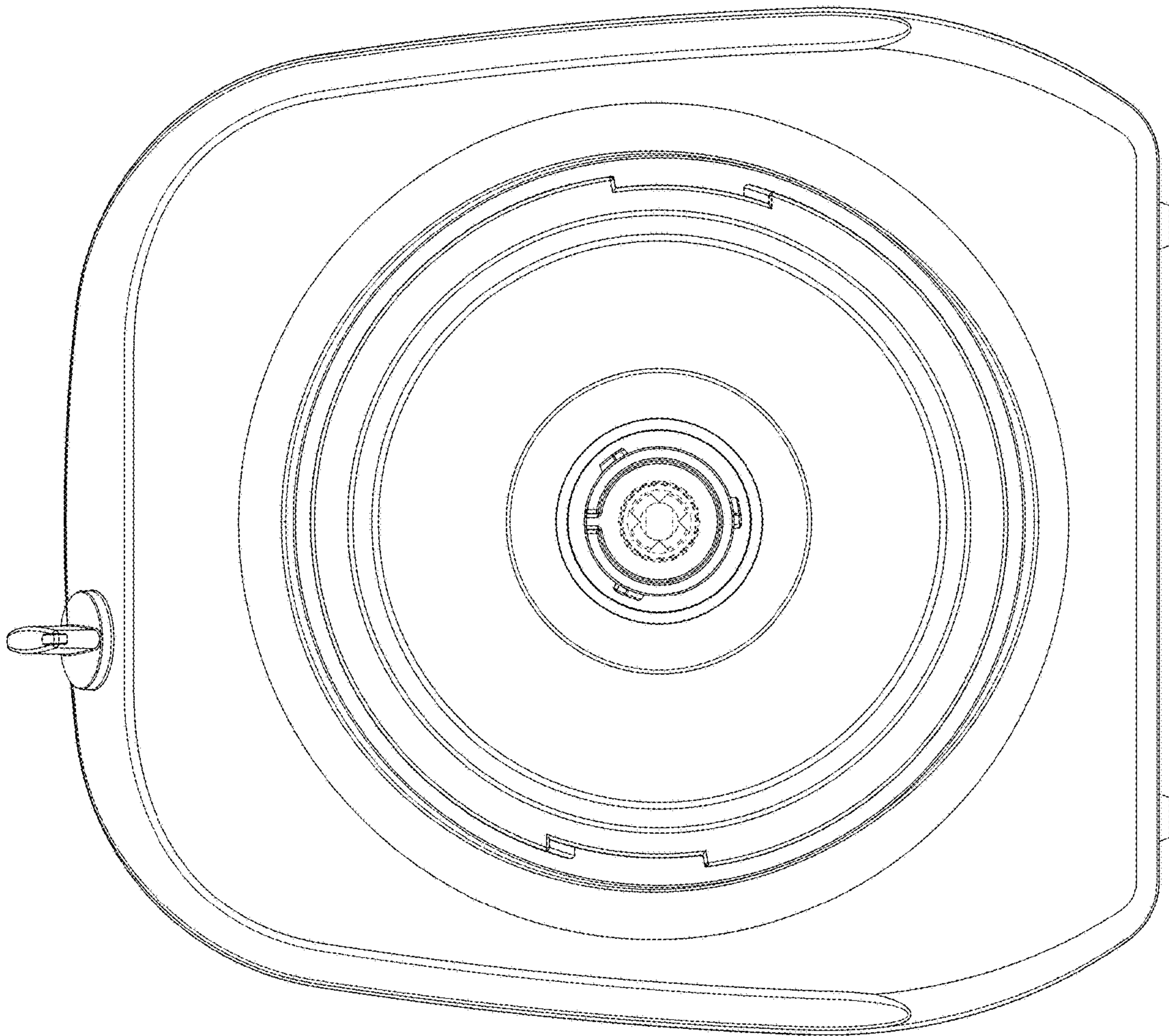
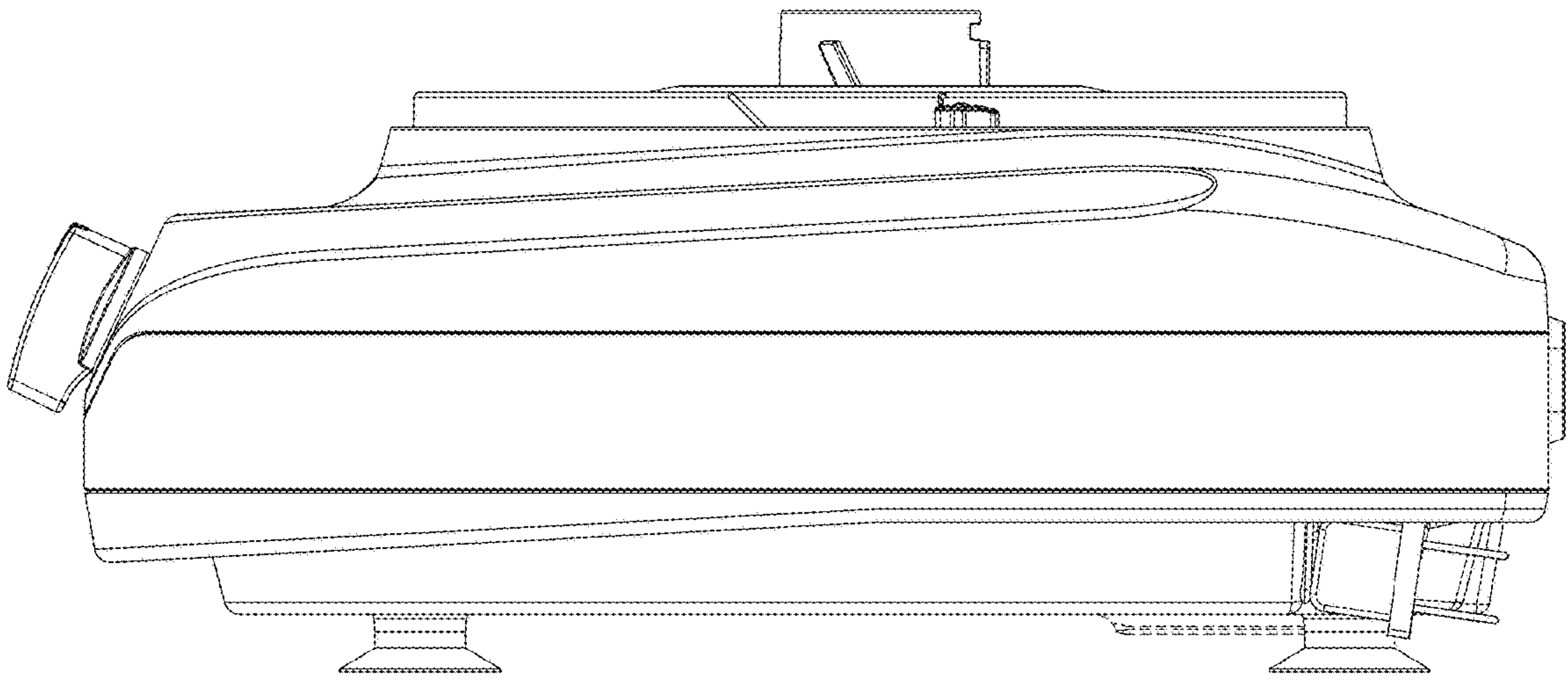


FIG. 4



*FIG. 5*