



US00D851990S

(12) **United States Design Patent** (10) **Patent No.:** **US D851,990 S**
Bell (45) **Date of Patent:** **** Jun. 25, 2019**

(54) **OVEN ALIGNMENT PART**

(56) **References Cited**

(71) Applicant: **Furrion Property Holding Limited,**
Hong Kong (HK)

U.S. PATENT DOCUMENTS

(72) Inventor: **Steven Neill Bell,** Hong Kong (HK)

| | | | | |
|-----------|-----|---------|--------------|-------------------------|
| 2,556,444 | A | 6/1951 | Reeves | |
| 2,696,812 | A | 12/1954 | Merritt, Jr. | |
| 2,704,063 | A | 3/1955 | Young | |
| 2,772,414 | A | 11/1956 | Baker, Jr. | |
| 3,004,132 | A * | 10/1961 | Harris, Jr. | F24C 15/12 126/214 R |
| 3,040,733 | A * | 6/1962 | Sherman | F24C 15/12 126/214 B |
| 3,180,331 | A | 4/1965 | Jenn et al. | |
| 3,320,944 | A * | 5/1967 | Hoppe | F24C 3/12 126/214 B |
| 3,338,232 | A * | 8/1967 | Heldenbrand | F24C 15/08 126/214 B |

(73) Assignee: **Furrion Property Holding Limited,**
Hong Kong (HK)

(**) Term: **15 Years**

(21) Appl. No.: **29/685,750**

(Continued)

(22) Filed: **Mar. 29, 2019**

OTHER PUBLICATIONS

Related U.S. Application Data

“2015 Pinnacle” [online], [retrieved Sep. 8, 2017]. Retrieved from the Internet <URL:https://www.google.com/search?safe=active&rls=com.microsoft%3Aen-US%3AIE-Address&biw=913&bih=653&tbm=isch&sa=1&q=rv+stove+glass&oq=rv+stove+glass&gs_l=psy-ab.3...491717.766060.0.766951.6.6.0.0.0.255.805.0j3j1.4.0...0...1.1.64.psy-ab..2.2.349...0j0i67k1j0i8i30k1j0i24k1.n0kolOw_41Y#imgcr=BKnmDP5PQ0te2Me&spf=1523295249889>, 1 page.

(63) Continuation of application No. 29/669,630, filed on Sep. 11, 2018, which is a continuation of application No. 29/625,563, filed on Nov. 10, 2017, now Pat. No. Des. 839,038.

(51) **LOC (11) Cl.** **07-02**

(Continued)

(52) **U.S. Cl.**
USPC **D7/407**; D7/340; D7/348

Primary Examiner — Ricky Pham

(58) **Field of Classification Search**
USPC D7/323, 328–330, 339–349, 390,
D7/402–406; D8/300–306

(57) **CLAIM**

CPC ... A21B 2/00; A47J 37/00; A47J 37/06; A47J 37/0611; A47J 37/08; A47J 37/0807; A47J 37/0814; A47J 37/0835; A47J 37/0842; A47J 37/085; A47J 37/0864; A47J 37/0878; A47J 37/0885; A47J 37/0892; A47L 15/4293; F24C 3/12; F24C 3/124; F24C 7/00; F24C 7/002; F24C 7/046; F24C 7/067; F24C 7/082; F24C 15/02; F24C 15/04; F24C 15/007; F24C 15/08; F24C 15/10; F24C 15/102; F24C 15/12; F24C 15/36

The ornamental design for oven alignment part, as shown and described.

DESCRIPTION

See application file for complete search history.

FIG. 1 is a perspective view of an oven alignment part; FIG. 2 is a first side view thereof; FIG. 3 is a second side view thereof; FIG. 4 is a third side view thereof;

(Continued)

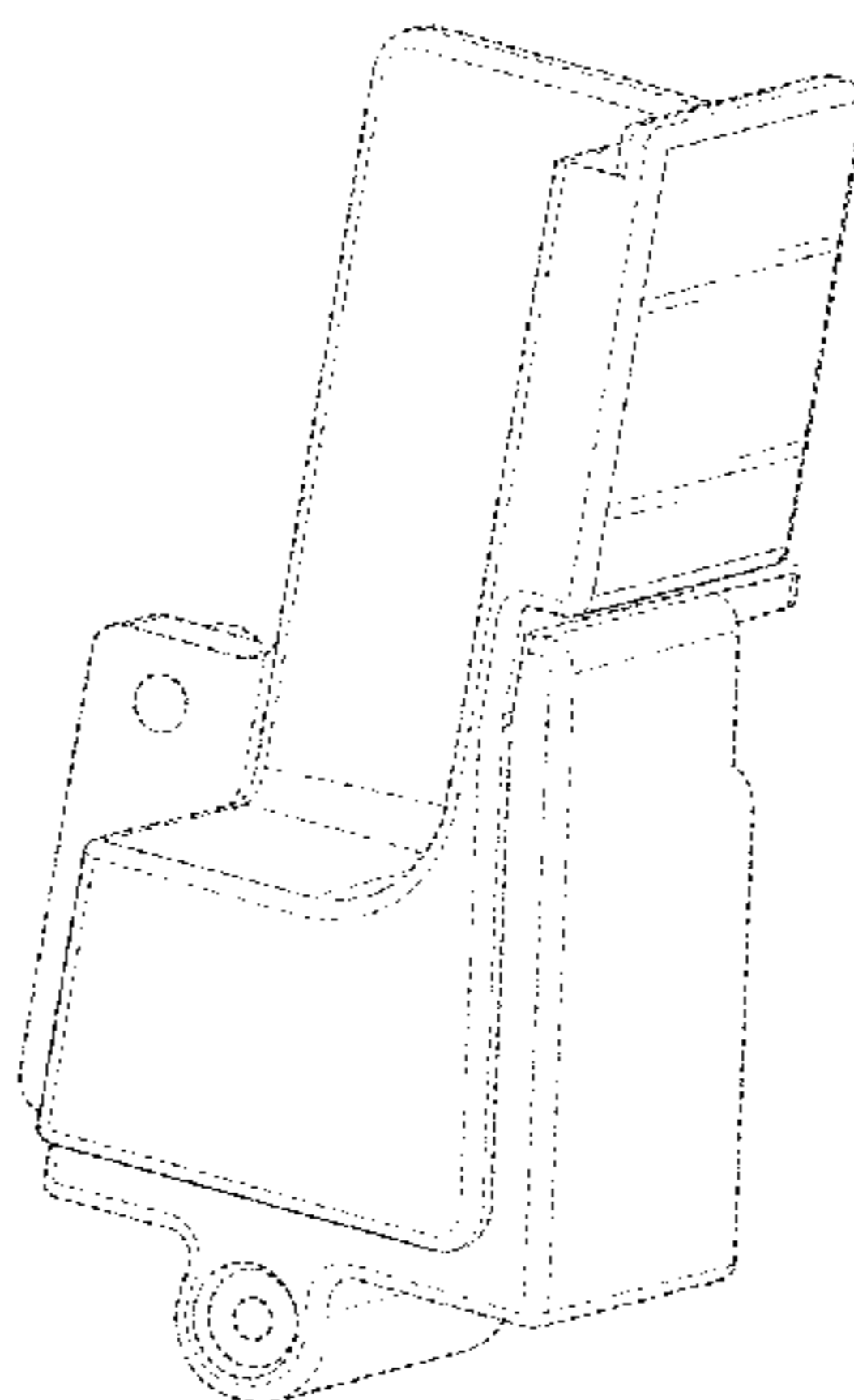


FIG. 5 is a fourth side view thereof;
 FIG. 6 is a top side view thereof; and,
 FIG. 7 is a bottom side view thereof.
 Broken lines illustrate features that form no part of the
 claimed design.

1 Claim, 7 Drawing Sheets

(56)

References Cited

U.S. PATENT DOCUMENTS

| | | | | |
|-----------|------|---------|-----------------------|-------------------------|
| 4,501,260 | A | 2/1985 | Grace | |
| 4,562,827 | A | 1/1986 | Cerola | |
| 4,869,231 | A * | 9/1989 | Rice | F24C 15/10 126/214 R |
| 4,890,813 | A | 1/1990 | Johnson et al. | |
| 5,062,410 | A | 11/1991 | Sarnosky et al. | |
| 5,115,797 | A | 5/1992 | Hurner | |
| 5,231,734 | A | 8/1993 | Rude | |
| D348,375 | S * | 7/1994 | Ivanovich | F24C 7/082 D7/402 |
| D378,262 | S | 3/1997 | Sparks | |
| D393,774 | S | 4/1998 | Ashcraft et al. | |
| 5,771,539 | A | 6/1998 | Wahlstedt et al. | |
| 5,894,633 | A | 4/1999 | Kaneko | |
| D409,896 | S | 5/1999 | Kaplan | |
| 5,931,151 | A | 8/1999 | Van Dore et al. | |
| D479,781 | S | 9/2003 | Pottenger et al. | |
| 6,712,066 | B1 * | 3/2004 | Atkinson | F24C 7/082 126/211 |
| D495,557 | S | 9/2004 | Shin | |
| 6,867,962 | B2 | 3/2005 | Cho et al. | |
| D506,637 | S | 6/2005 | Tanaka | |
| D510,226 | S | 10/2005 | Vetter | |
| D530,972 | S | 10/2006 | Park | |
| 7,401,610 | B1 * | 7/2008 | Cherry | F24C 3/124 126/42 |
| D580,225 | S | 11/2008 | Geiger et al. | |
| D599,608 | S | 9/2009 | Grumm et al. | |
| D605,456 | S | 12/2009 | Bengtson et al. | |
| D610,863 | S | 3/2010 | Kim et al. | |
| D622,537 | S | 8/2010 | Kim et al. | |
| 7,836,877 | B2 | 11/2010 | Gagas et al. | |
| D642,418 | S | 8/2011 | Kim et al. | |
| 8,118,020 | B2 | 2/2012 | Rummel et al. | |
| D655,128 | S | 3/2012 | Kim et al. | |
| D665,656 | S | 8/2012 | Anzelmo | |
| 8,272,377 | B2 | 9/2012 | Tsakiris | |
| D670,969 | S | 11/2012 | Bengtson et al. | |
| D682,602 | S | 5/2013 | Funnell, II et al. | |
| D685,602 | S | 7/2013 | Lee | |
| 8,578,924 | B2 | 11/2013 | Elkasevic et al. | |
| D700,469 | S | 3/2014 | Reay et al. | |
| D702,988 | S | 4/2014 | Boo et al. | |
| D731,845 | S | 6/2015 | Kim et al. | |
| D734,273 | S | 7/2015 | Chomppf | |
| D736,553 | S | 8/2015 | Funnell, II et al. | |
| 9,103,553 | B2 * | 8/2015 | Daughtridge, Jr. | F24C 3/124 |
| 9,395,093 | B2 * | 7/2016 | Yu | F24C 15/36 |
| D763,616 | S | 8/2016 | Kim et al. | |
| D765,459 | S | 9/2016 | Shoemaker et al. | |
| D773,232 | S | 12/2016 | Shoemaker et al. | |
| D781,096 | S | 3/2017 | Kim et al. | |
| D781,648 | S | 3/2017 | Shoemaker et al. | |
| D786,005 | S | 5/2017 | Kim et al. | |
| D786,006 | S | 5/2017 | Chung et al. | |
| D787,254 | S | 5/2017 | Cho et al. | |
| D787,256 | S | 5/2017 | Cho et al. | |
| D789,729 | S | 6/2017 | Lee et al. | |
| D793,795 | S | 8/2017 | Suh | |

| | | | | |
|--------------|------|---------|------------------|--------------|
| D808,706 | S | 1/2018 | Kim et al. | |
| D808,707 | S | 1/2018 | Kim et al. | |
| 9,863,642 | B2 * | 1/2018 | Je | F24C 7/082 |
| D811,165 | S | 2/2018 | Sadtler | |
| D812,959 | S | 3/2018 | Kim et al. | |
| D816,386 | S | 5/2018 | Kim et al. | |
| D817,066 | S | 5/2018 | Shoemaker et al. | |
| D817,685 | S | 5/2018 | Incukur | |
| D839,038 | S | 1/2019 | Bell | |
| 2013/0019853 | A1 | 1/2013 | Kim et al. | |
| 2016/0320067 | A1 * | 11/2016 | Dachs | A47L 15/4293 |
| 2016/0334113 | A1 * | 11/2016 | Lee | F24C 15/007 |
| 2017/0328573 | A1 | 11/2017 | Wojick et al. | |
| 2018/0156468 | A1 | 6/2018 | Bell | |

OTHER PUBLICATIONS

“2017 Fleetwood Jamboree RV—Class C Motorhome” [online], [retrieved on Sep. 8, 2017]. Retrieved from the Internet <URL:<http://www.fleetwoodrv.com/2017-fleetwood-jamboree>>, 11 pages.

“Atwood RV-2135 BBP 52232 21 Inch,” RV Parts Country, rvpartscountry.com, UPC Code: 92931522326, Jan. 6, 2014. <https://web.archive.org/web/20140106195901/http://www.rvpartscountry.com/Atwood-3-Burner-21inch-Range-wo-Piezo.html>.

“Camco 43554 Universal Fit RV Stove Top Cover (Black)” [online], [retrieved on Sep. 8, 2017]. Retrieved from the Internet <URL:<http://www.ebay.com/itm/Camco-43554-Universal-Fit-RV-Stove-Top-Cover-Black-Black-/112357123356?epid=671816644&hash=item1a2901a51c:g:JAUAOSwDmBY4cQK&vxp=mtr>>, 3 pages.

“Conventional Burner Gas Range—Piezo Lite, 17” [online], [first retrieved on Sep. 8, 2017]. Retrieved from the Internet <URL:http://www.campingworld.com/shopping/item/conventional-burner-gas-range-piezo-lite-17484505&utm_source=google&utm_medium=cpc&scid=scplp84505&sc_intid=84505?utm_campaign=SC_Shopping_High&affiliateid=6313&gclid=EA1a1QobChMlu-WO-oKW1gIVC19pCh0kjQLZEAQYAyABEgL7mvD_BwE>, 3 pages.

“La Germania 3-Gas Burner Manual Oven,” La Germania, cebuappliancecenter.com, Nov. 29, 2014 <https://web.archive.org/web/20141129124153/http://www.ceuappliancecenter.com:80/product/la-germania-3-gas-burner-manualoven/lagermania.pdf>.

“Marine Gas Stove with Three Burner Cooktop,” Fisheries Supply, fisheriessupply.com, Sep. 6, 2016. <https://web.archive.org/web/20160906075007/https://www.fisheriessupply.com/force-10-marine-gas-stove-with-three-burner-cooktop-range-gimbalded>.

“Oven,” Design U.S. Appl. No. 29/625,563, filed Nov. 10, 2017 under the applicant Furrion Property Holding Limited, 23 pages.

“Stove Top Cover Wooden Counter Mat Travel RV Kitchen Gas Range Burner Serving” [online], [retrieved on Sep. 8, 2017]. Retrieved from the Internet <<http://www.ebay.com/itm/Stove-Top-Cover-Wooden-Counter-Mat-Travel-RV-Kitchen-Gas-Range-Burner-Serving-/332042293030?epid=1111828905&hash=item4d4f434f26:g:7pYAAOSwiONYNkbg&vxp=mtr>>, 3 pages.

“Suburban 3206A Gas Range with Conventional Burners—Black w/Piezo Ignition, 17,” Amazon, amazon.com, ASIN: B00PXJRYR0, Manufacturer Part No. 3206A, Nov. 21, 2014. <https://www.amazon.com/dp/B00PXJRYR0/>.

“Wedgewood RV/Camper Stove” [online], [retrieved Sep. 8, 2017]. Retrieved from the Internet <URL: <https://www.5miles.com/item/YEZ7JEpQ8KAgK8ze/wedgewood-rvcamper-stove-great-shape>>, 3 pages.

Lowe, Jessica. “How to Baby Proof Your RV” [online], [retrieved on Sep. 8, 2017]. Retrieved from the Internet <URL: <http://www.carefreecommunities.com/blog/how-to-baby-proof-your-rv/>>, 4 pages.

Miele (Feb. 20, 2018). 36 Inch Downdraft Hood Flush Mounting. pp. 1-10.

Nordby, Klaus. “My Latest Experiment In Living On Earth: Klaus “Easy Comfy Rider” Nordby hits the rrrrrrrrrrrroad!” [online], [retrieved on Sep. 8, 2017]. Retrieved from the Internet <URL:<http://klausnordby.com/ego/rv.html>>, 11 pages.

* cited by examiner

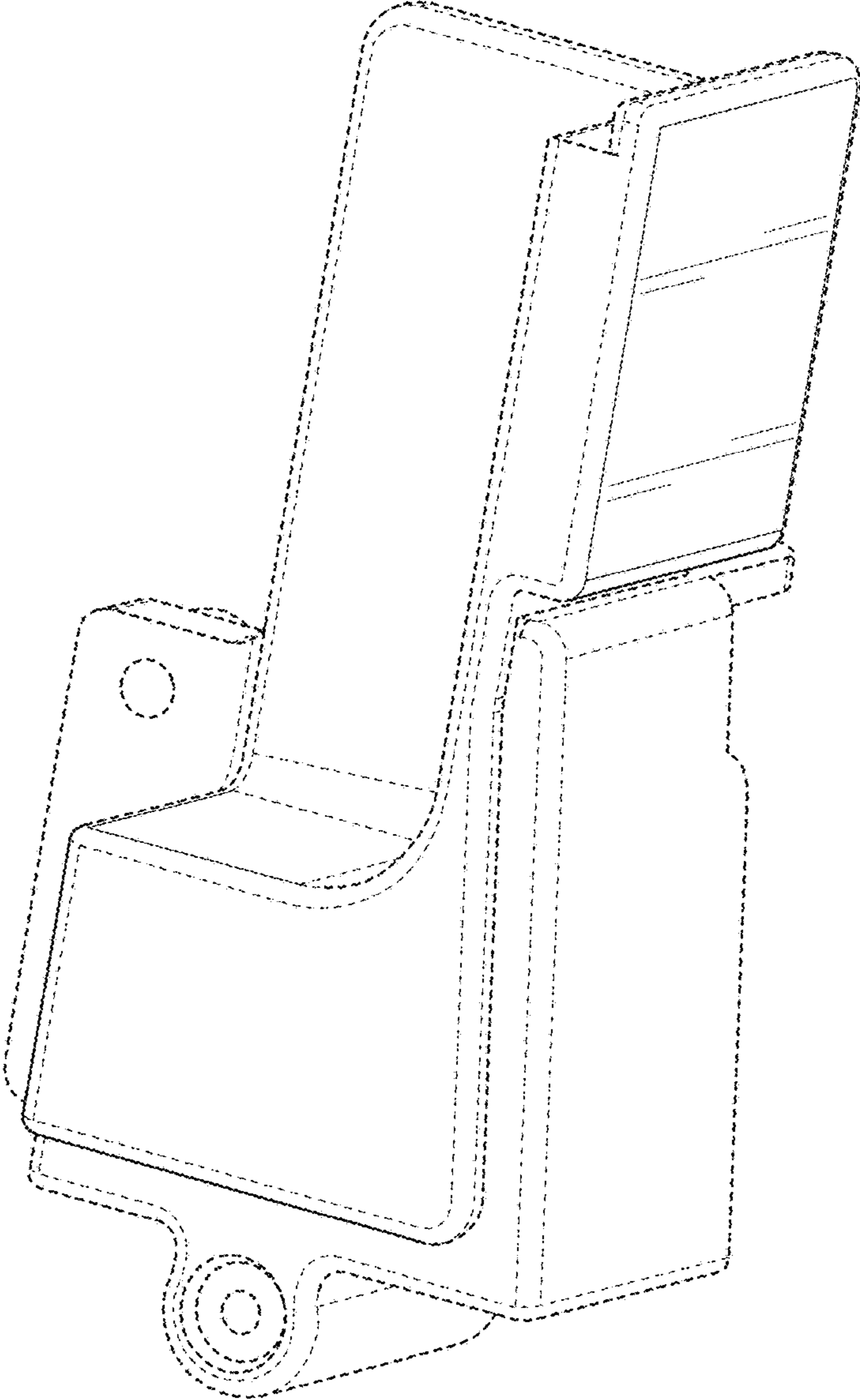


FIG. 1

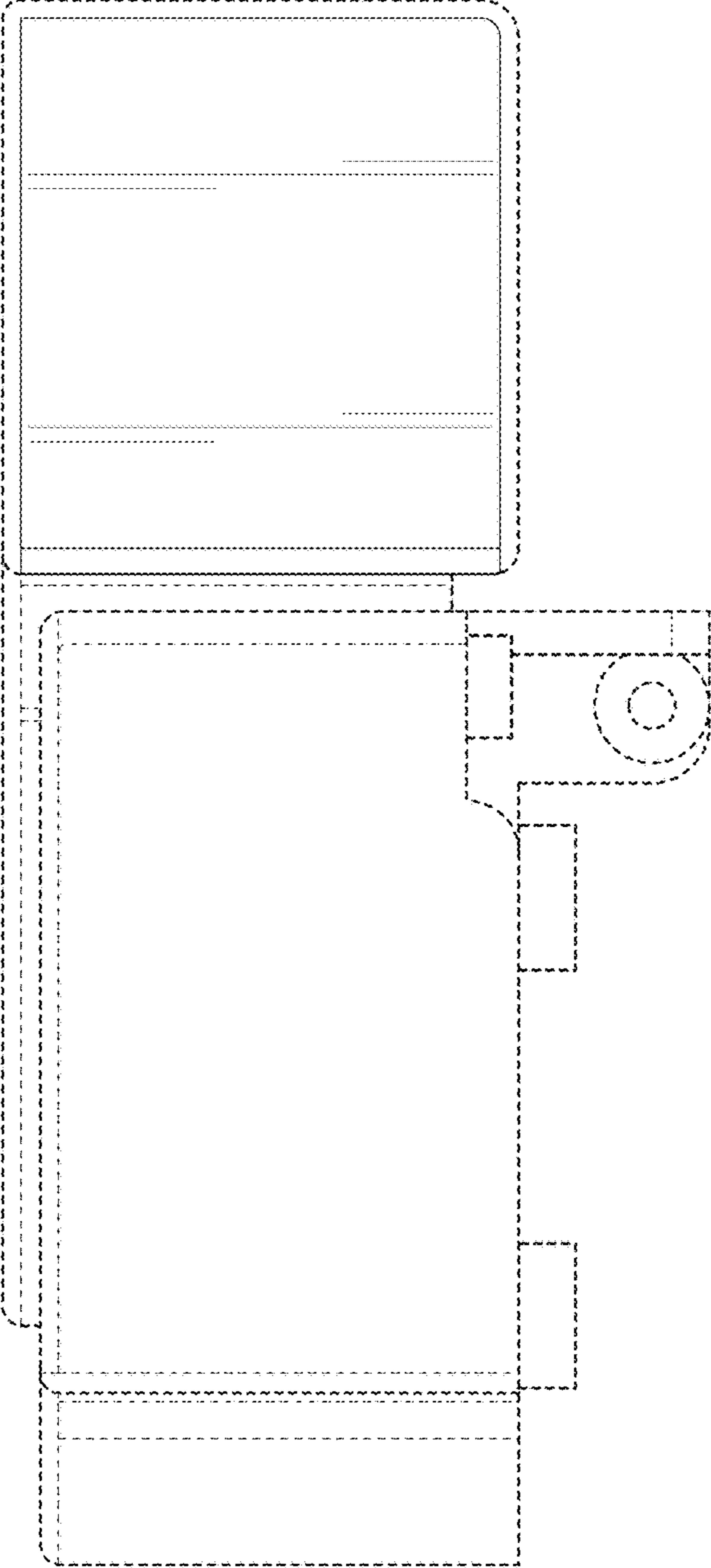


FIG. 2

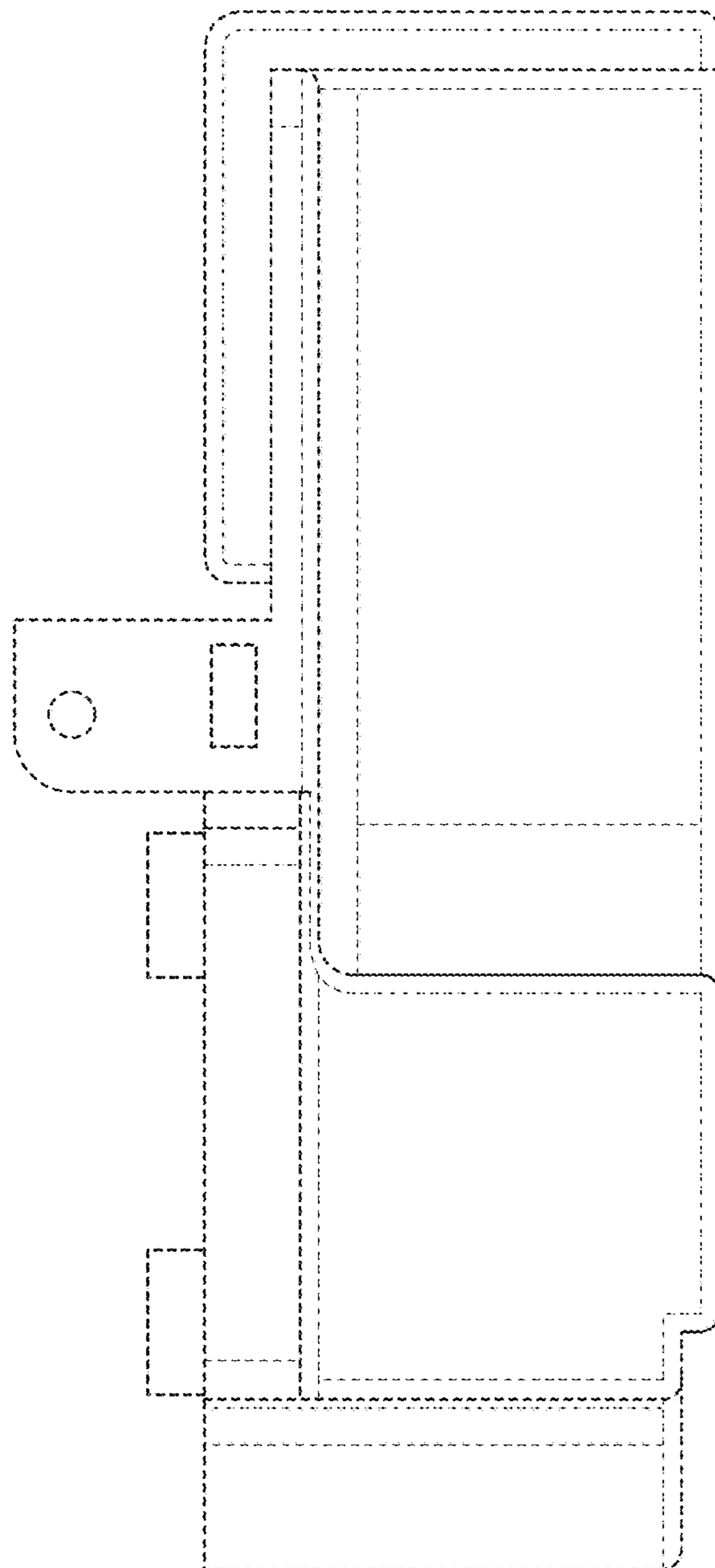


FIG. 3

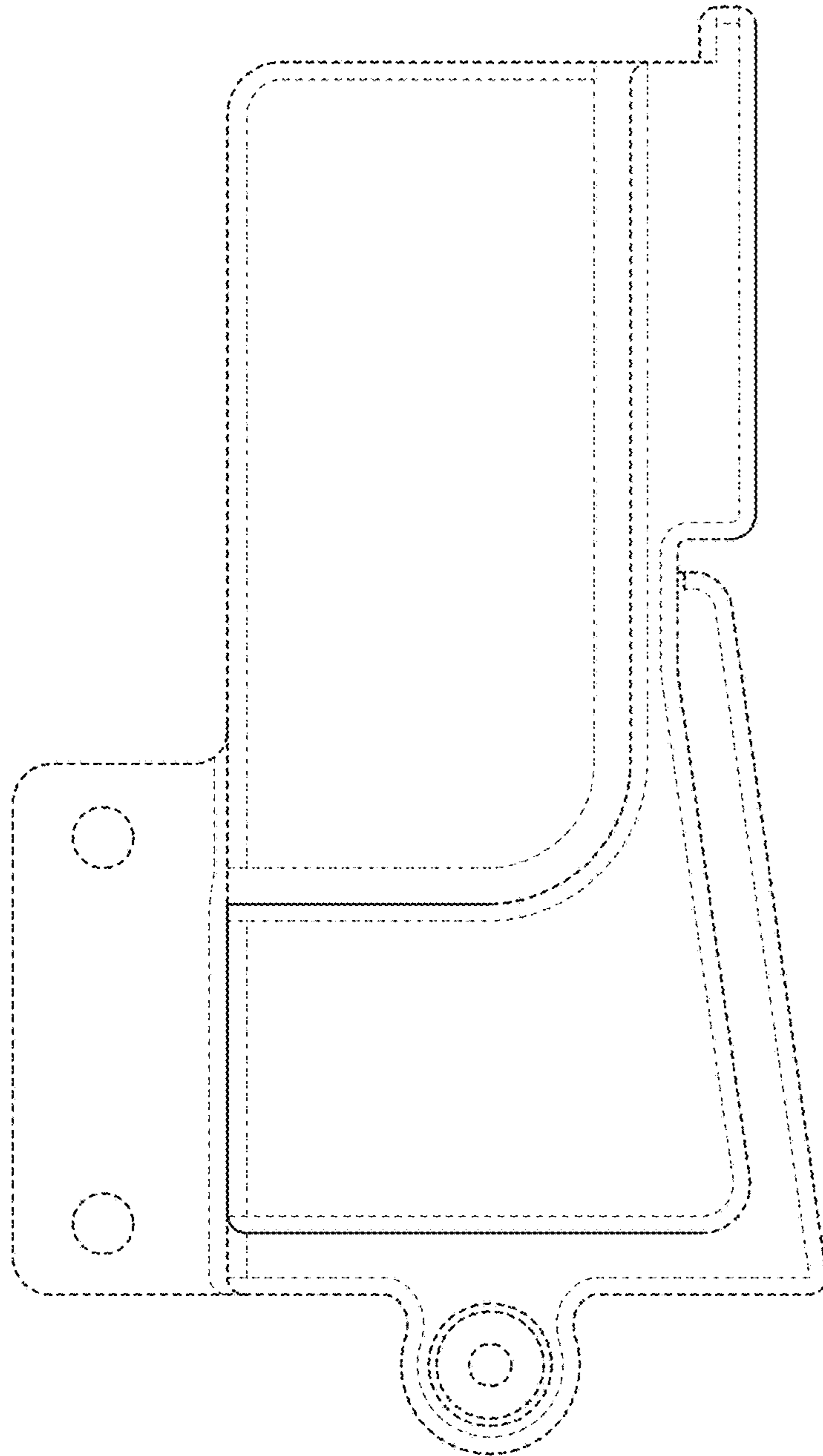


FIG. 4

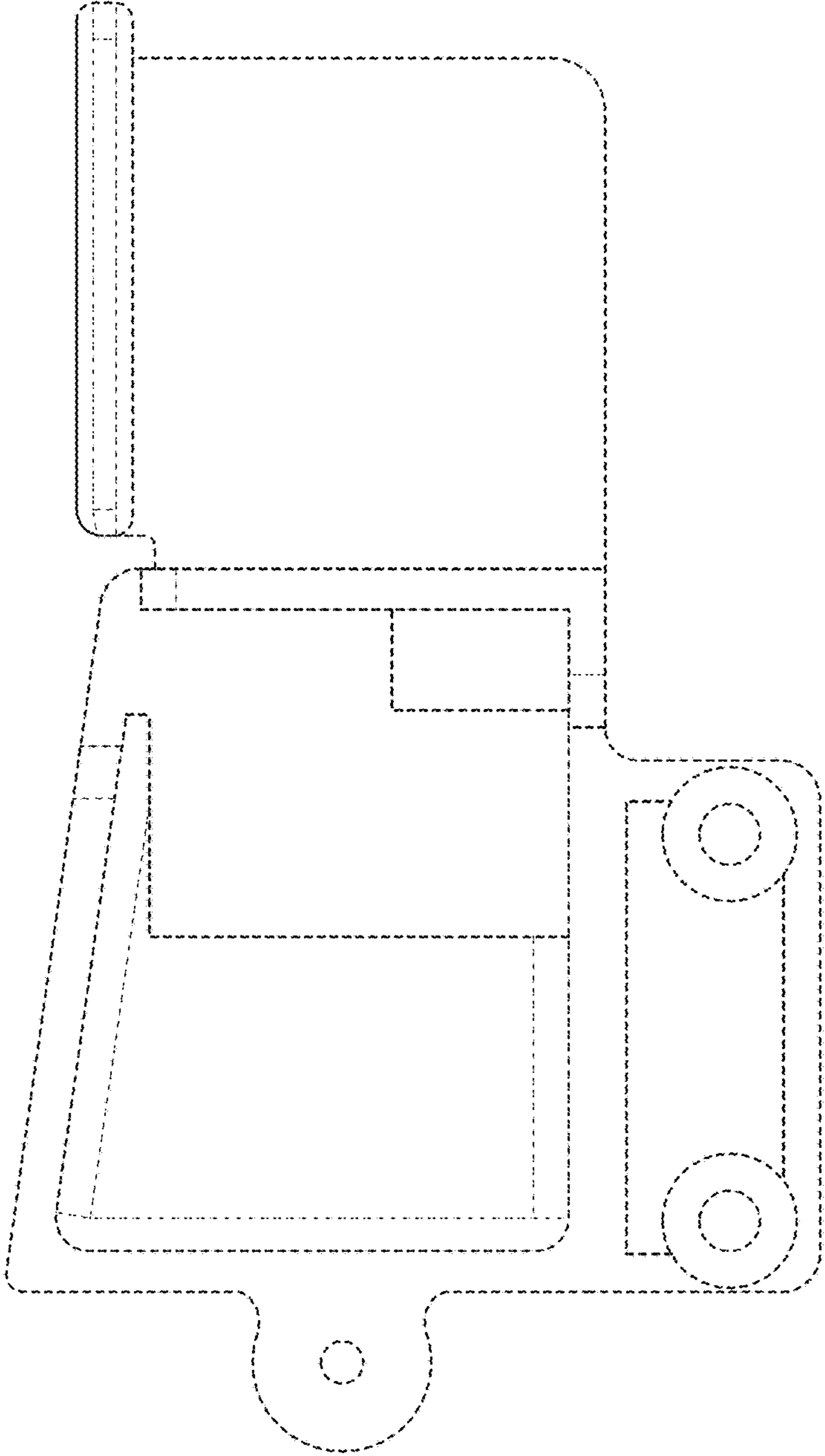


FIG. 5

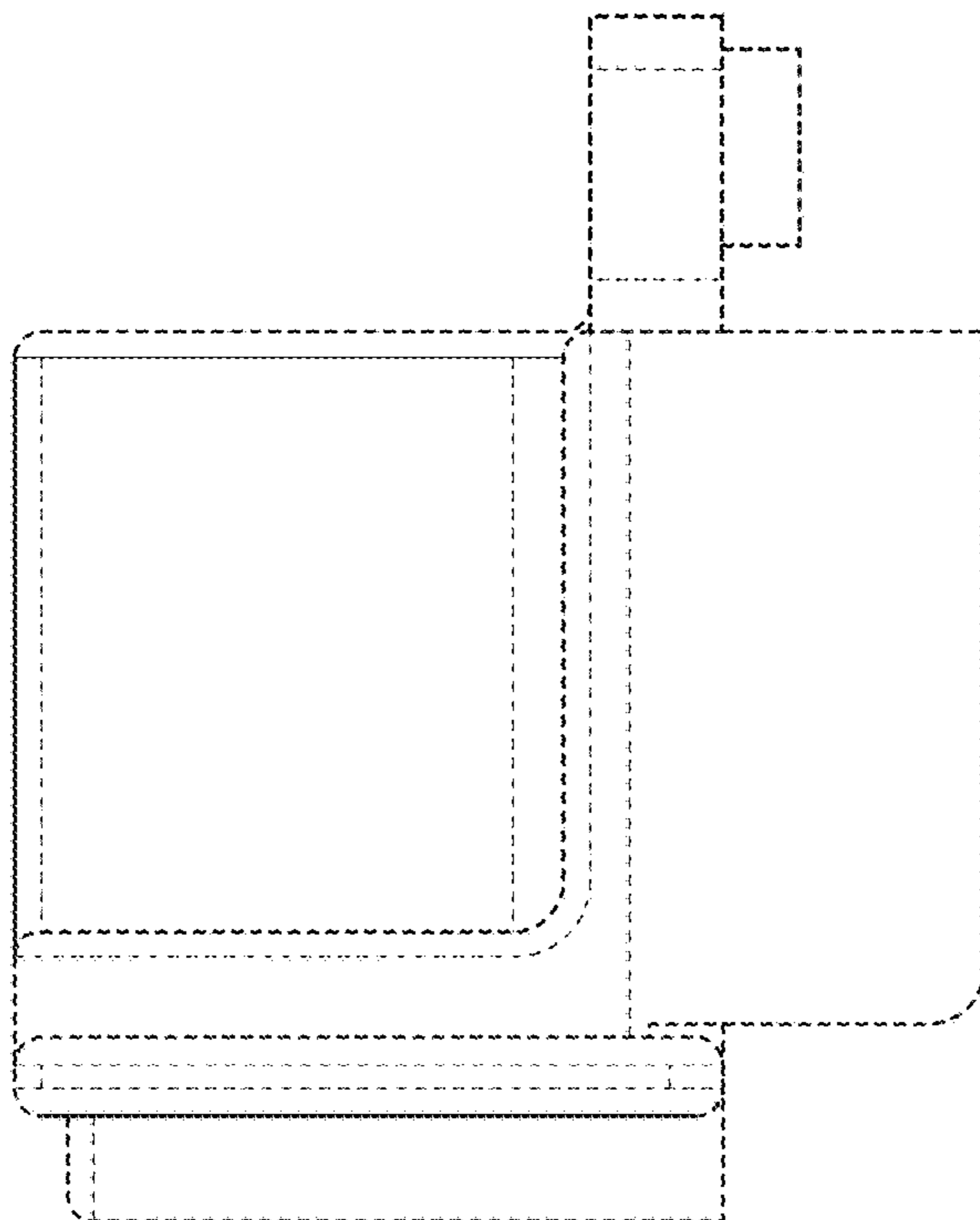


FIG. 6

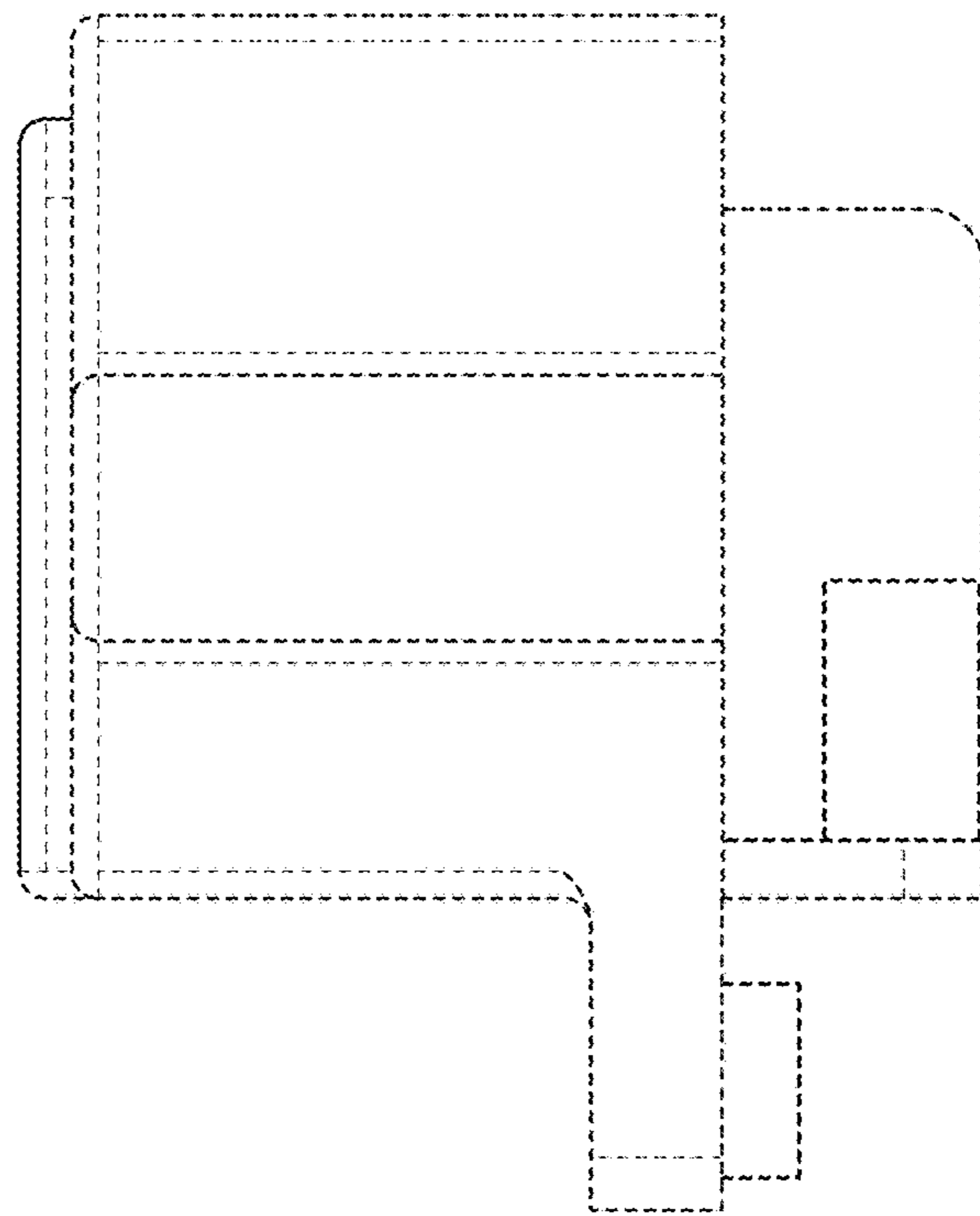


FIG. 7