



US00D851988S

(12) **United States Design Patent** (10) **Patent No.:** **US D851,988 S**
Nilssen (45) **Date of Patent:** **** Jun. 25, 2019**

(54) **MEDALLION FOR A GRILL HOOD**

(71) Applicant: **Hestan Commercial Corporation,**
Anaheim, CA (US)

(72) Inventor: **Ray Nilssen,** Fairhope, AL (US)

(73) Assignee: **Hestan Commercial Corporation,**
Anaheim, CA (US)

(**) Term: **15 Years**

(21) Appl. No.: **29/595,661**

(22) Filed: **Mar. 1, 2017**

Related U.S. Application Data

(63) Continuation of application No. 29/595,535, filed on
Feb. 28, 2017.

(51) **LOC (11) Cl.** **07-02**

(52) **U.S. Cl.**
USPC **D7/402**

(58) **Field of Classification Search**

USPC D7/332-337, 352-353, 362-367,
D7/402-409, 348; D8/350; D12/197,
D12/198; D10/52-54

CPC A47J 37/07-37/0786; A47J 37/06; A47J
37/0611; A47J 37/0623-37/0641; A47J
37/067-37/0676; A47J 2202/00; F24B
1/18-1/28

See application file for complete search history.

(56) **References Cited**

U.S. PATENT DOCUMENTS

D85,958 S * 1/1932 Punke D12/197
D89,620 S * 4/1933 Teague D10/53

D97,379 S * 11/1935 Brown D10/53
D180,266 S * 5/1957 Boldt D7/406
D219,793 S * 1/1971 Turnbull D10/53
D808,285 S * 1/2018 Bone D10/46
D824,787 S * 8/2018 Mammet D10/52
2011/0283990 A1* 11/2011 Walters A47J 37/0704
126/25 R

* cited by examiner

Primary Examiner — Brett Miller

(74) *Attorney, Agent, or Firm* — Akerman LLP

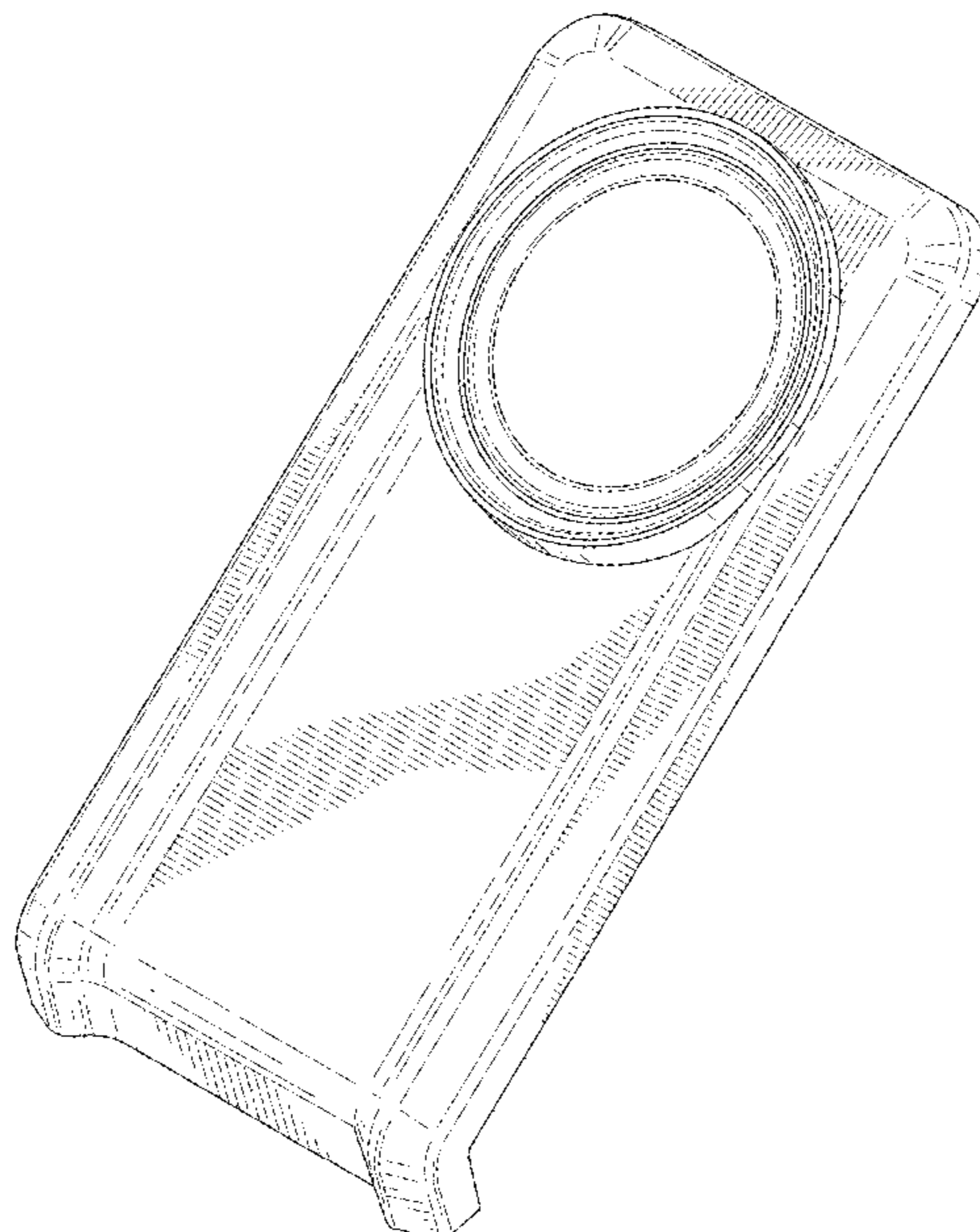
(57) **CLAIM**

The ornamental design for a medallion for a grill hood, as
shown and described.

DESCRIPTION

FIG. 1 is a perspective view of the “medallion for a grill
hood”, showing my new design;
FIG. 2 is a front view thereof;
FIG. 3 is a back view thereof;
FIG. 4 is a bottom view thereof;
FIG. 5 is a top view thereof;
FIG. 6 is a left side view thereof;
FIG. 7 is a right side view thereof; and,
FIG. 8 is a perspective view of the “medallion for a grill
hood” placed on an exemplary grill and grill hood.
The dash-dot broken line in FIGS. 1 and 2 depicts the
boundary of the claimed design and forms no part thereof.
The broken lines in FIGS. 3 and 5 depict portions of the
medallion that form no part of the claimed design. The
broken lines in FIG. 8 depict the environment of the claimed
design and form no part of the claimed design.

1 Claim, 6 Drawing Sheets



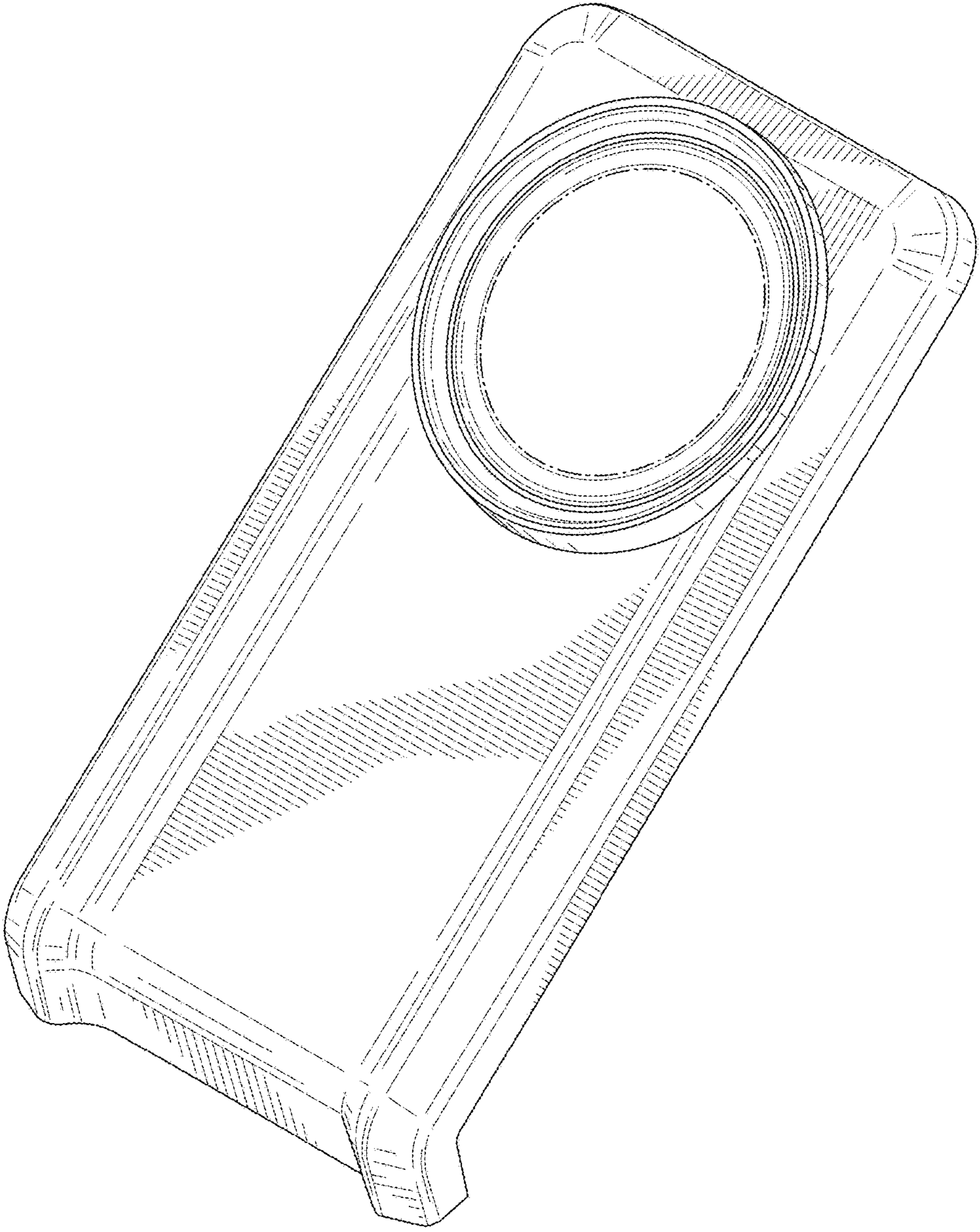


FIG. 1

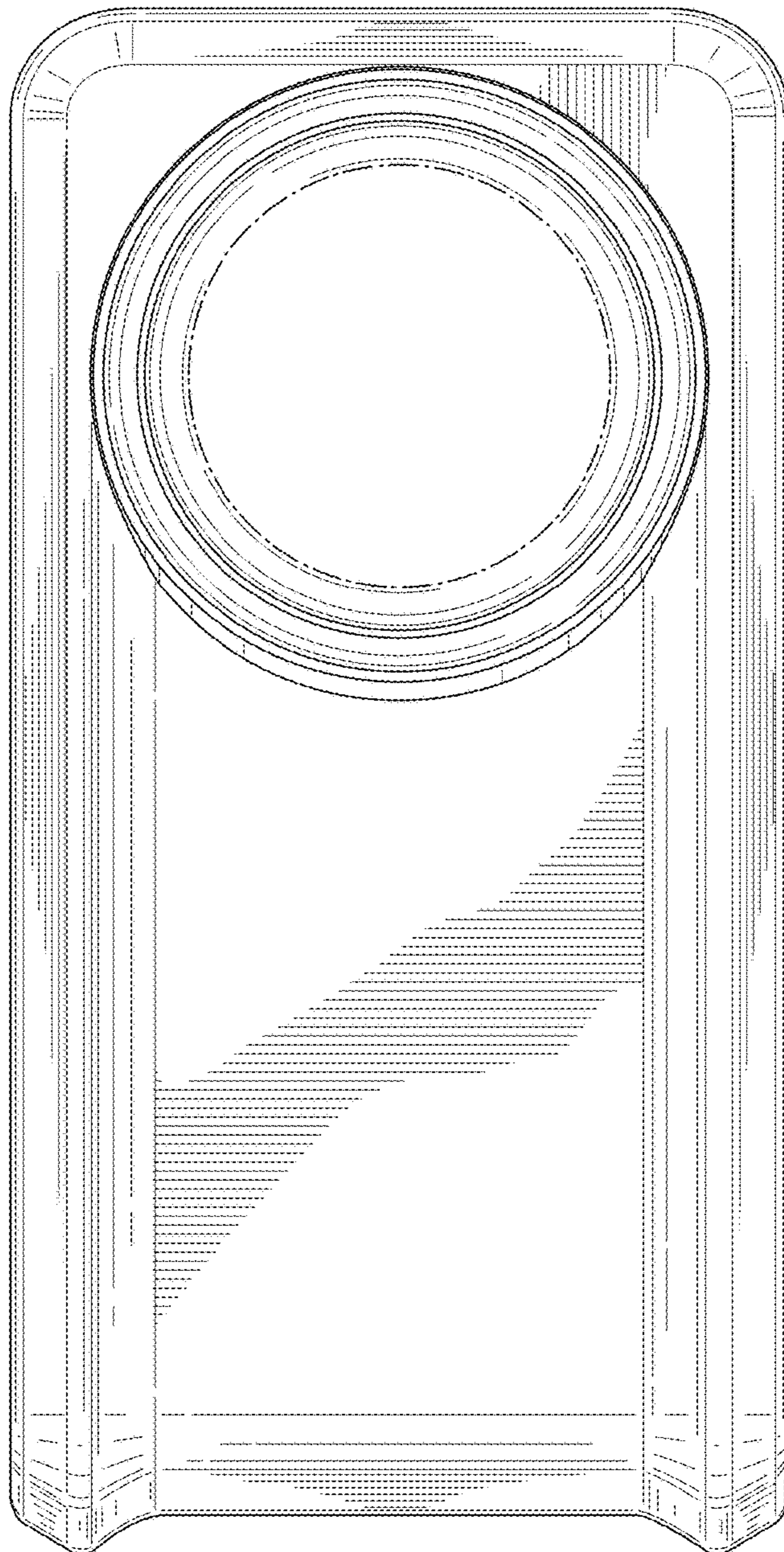


FIG. 2

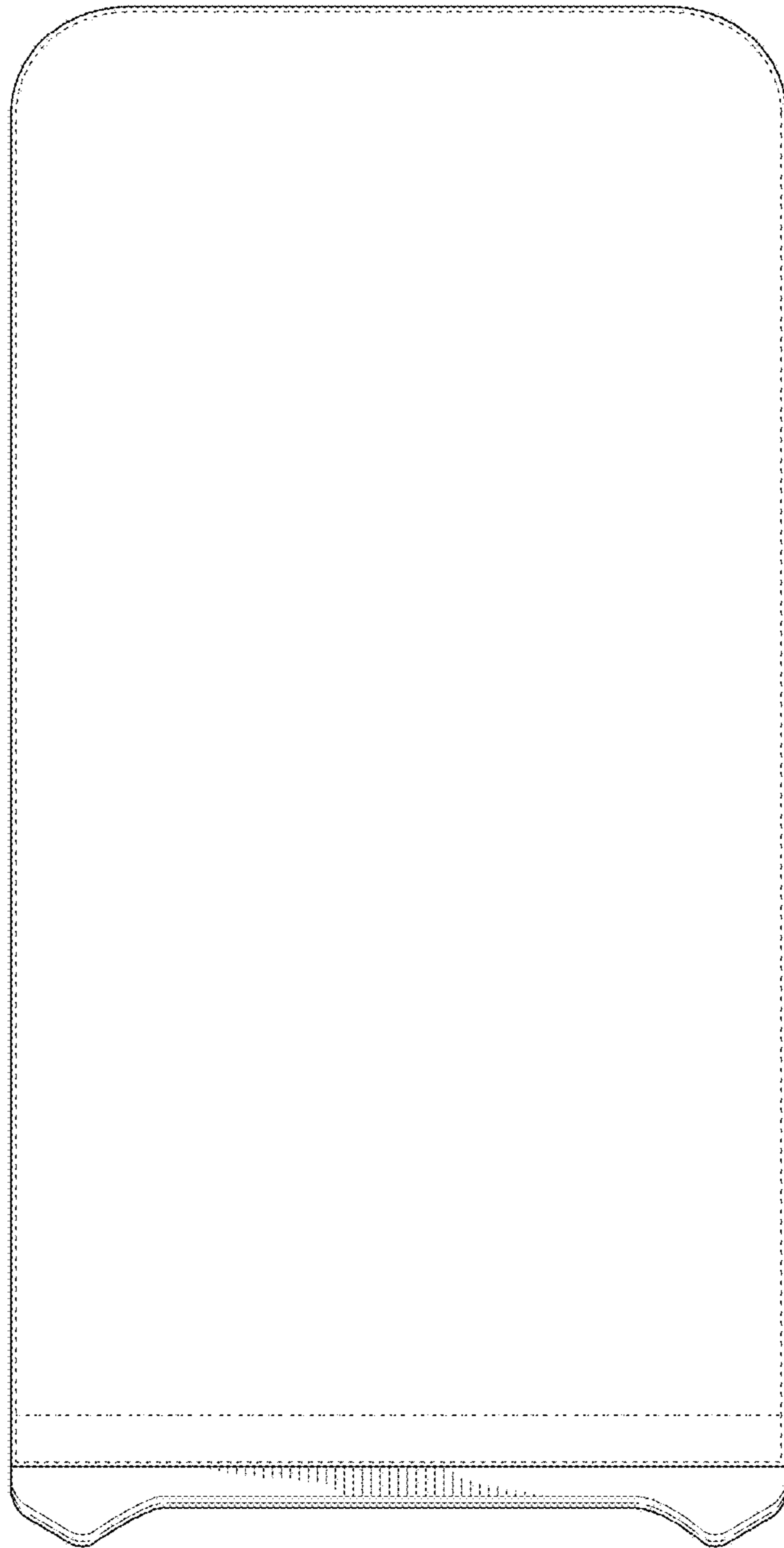


FIG. 3

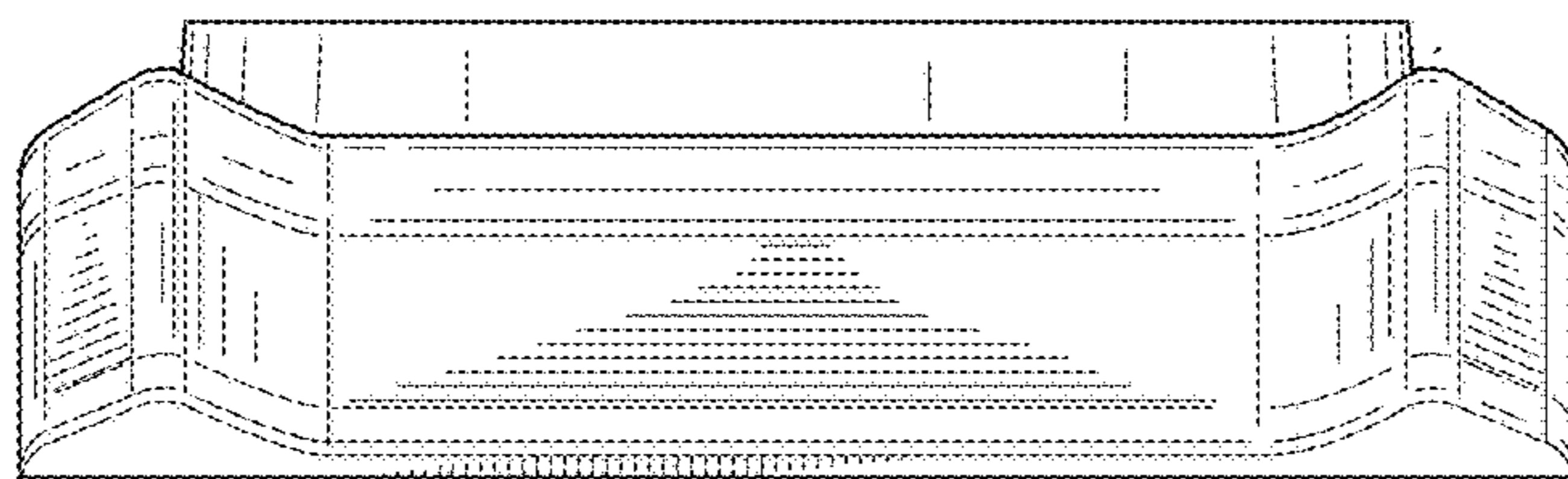


FIG. 4

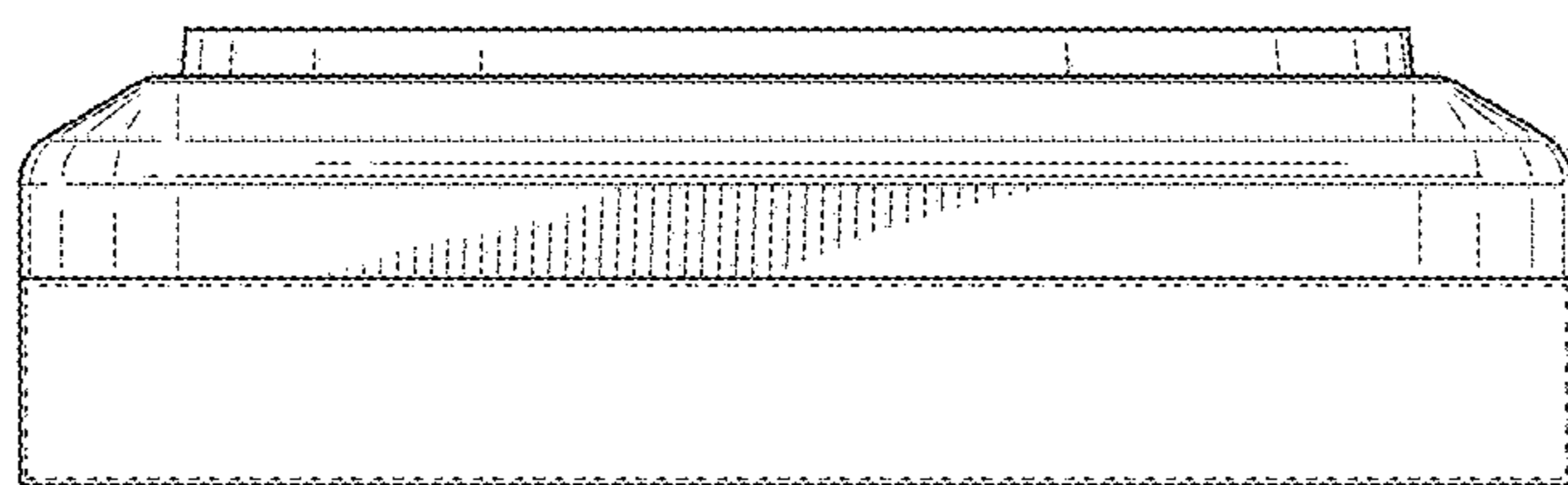


FIG. 5

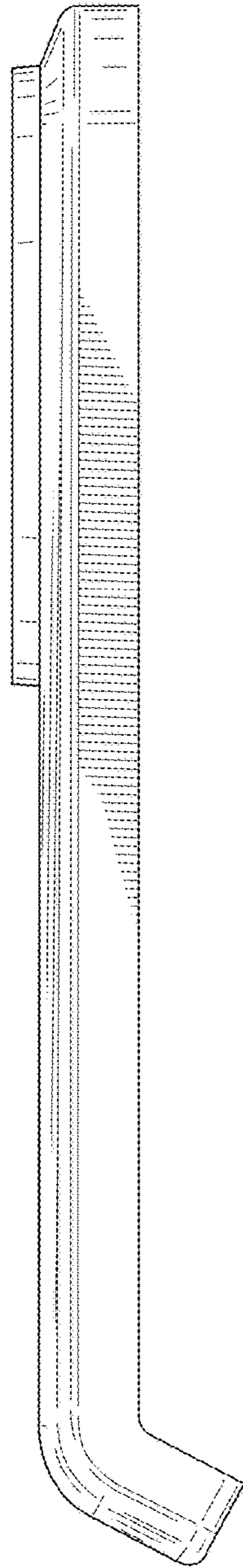


FIG. 6

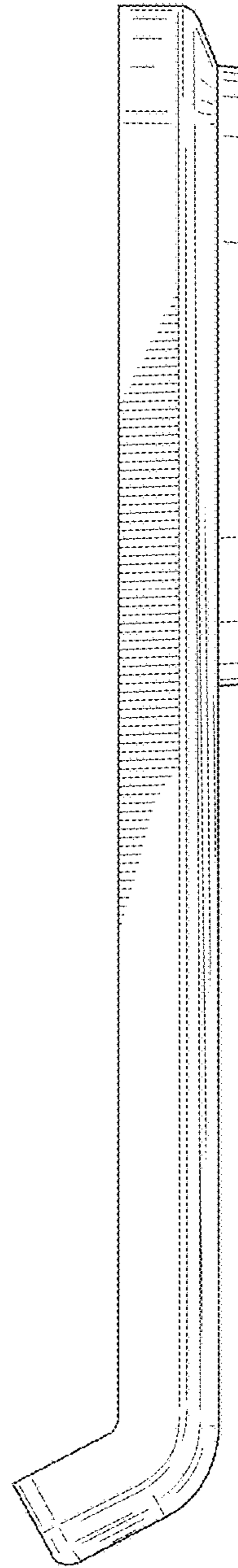


FIG. 7

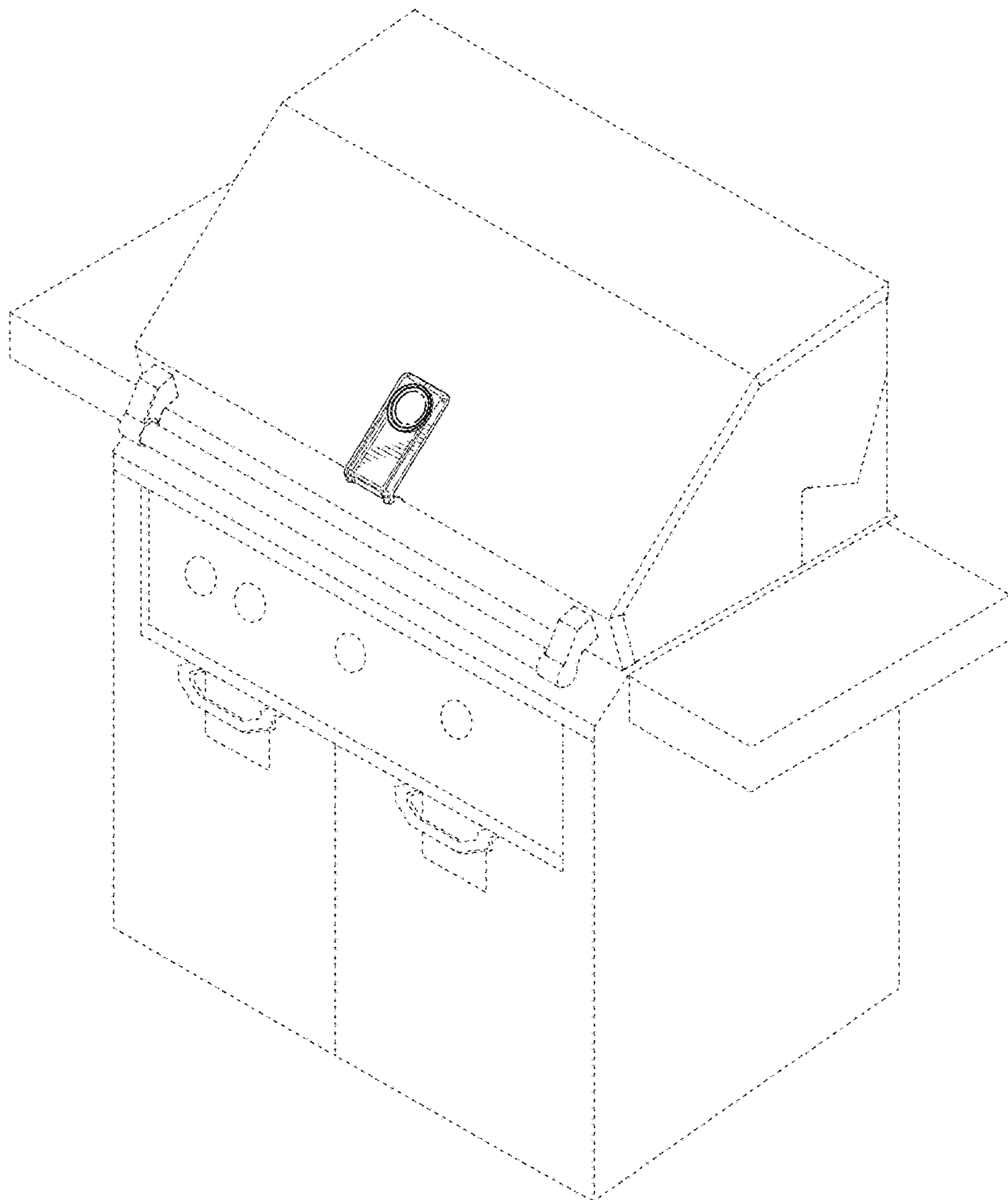


FIG. 8