



US00D851985S

(12) **United States Design Patent**
Mouler

(10) **Patent No.:** **US D851,985 S**
(45) **Date of Patent:** **** Jun. 25, 2019**

(54) **FLEXIBLE STORAGE LID COVER WITH INDICATOR**

(71) Applicant: **Vsevolod Mouler**, San Francisco, CA (US)

(72) Inventor: **Vsevolod Mouler**, San Francisco, CA (US)

(**) Term: **15 Years**

(21) Appl. No.: **29/648,289**

(22) Filed: **May 19, 2018**

(51) **LOC (11) Cl.** **07-99**

(52) **U.S. Cl.**
USPC **D7/392.1; D9/436**

(58) **Field of Classification Search**
USPC D9/414, 416, 425, 434, 435, 436, 438, D9/439, 440, 442, 443, 446-450, D9/452-457, 499, 503-505, 682, 685, D9/686; D7/387, 391, 392, 392.1, 393, D7/394, 396.1-396.4, 401.1, 503-505, D7/509-511, 538, 900, 354, 360, 543, D7/548, 550.1, 552.1, 554.3, 629; D3/201, 202, 203.2, 318, 323; D28/91, D28/91.1
CPC .. A61J 1/00; A61J 1/1412; B65D 1/00; B65D 1/02; B65D 1/10; B65D 1/46; B65D 2585/56; B65D 2585/545; B65D 41/00; B65D 41/38; B65D 41/56; B65D 41/62; B65D 47/00; B65D 47/06; B65D 47/08; B65D 2543/00046; B65D 2543/00092; B65D 2543/00296; B65D 5/46; B65D 2251/00

See application file for complete search history.

(56) **References Cited**

U.S. PATENT DOCUMENTS

D115,160 S * 6/1939 Stopa D15/89
D256,761 S * 9/1980 Martin D7/354
4,985,879 A * 1/1991 Owens A61J 7/04
116/308

(Continued)

OTHER PUBLICATIONS

Kickstarter “UniLid by Two Pillars” (online) campaign posted and began Nov. 27, 2017. Retrieved from Internet on Mar. 30, 2019, URL: <https://www.kickstarter.com/projects/twopillars/unilid> (24 pages).*

(Continued)

Primary Examiner — Michael A. Pratt

Assistant Examiner — Wendy L Arminio

(74) *Attorney, Agent, or Firm* — The Rapacke Law Group, P.A.

(57) **CLAIM**

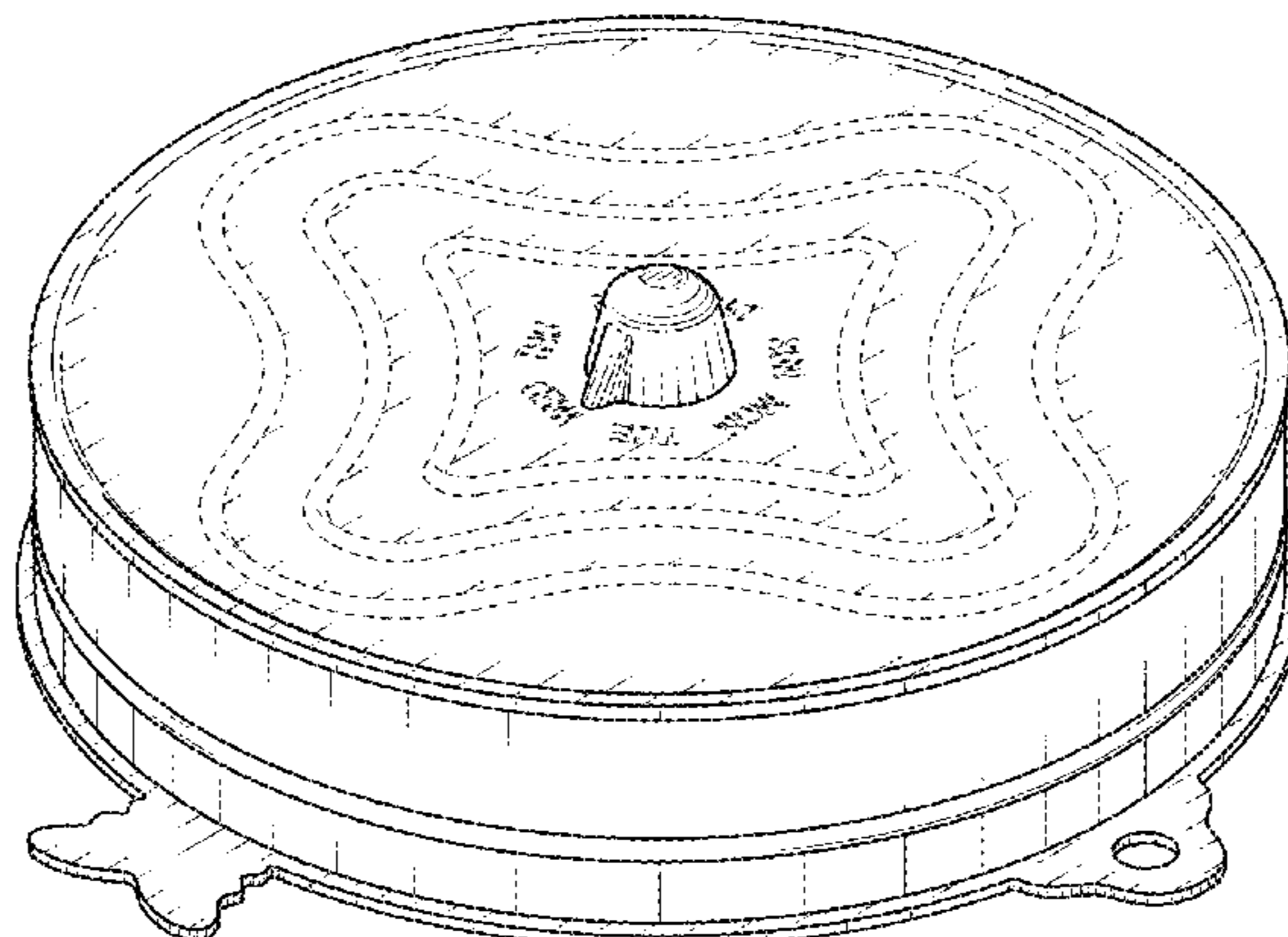
The ornamental design for a flexible storage lid cover with indicator, as shown and described.

DESCRIPTION

FIG. 1 is a perspective view of the flexible storage lid cover with indicator showing the new design;
FIG. 2 is a front elevational view of the flexible storage lid cover with indicator thereof;
FIG. 3 is a rear elevational view of the flexible storage lid cover with indicator thereof;
FIG. 4 is a left side elevational view of the flexible storage lid cover with indicator thereof;
FIG. 5 is a right side elevational view of the flexible storage lid cover with indicator thereof;
FIG. 6 is a top plan view of the flexible storage lid cover with indicator thereof;
FIG. 7 is a bottom plan view of the flexible storage lid cover with indicator thereof; and,
FIG. 8 is a cross-sectional view of the flexible storage lid cover with indicator thereof.

The broken lines in the drawings illustrate environmental subject matter and form no part of the claimed design.

1 Claim, 5 Drawing Sheets



(56)

References Cited

U.S. PATENT DOCUMENTS

5,358,117 A * 10/1994 Adams A61J 7/04
 D9/436
 D365,251 S * 12/1995 Lo D7/538
 6,000,159 A * 12/1999 Hornung G09F 11/23
 116/308
 D419,371 S * 1/2000 Haley D7/392.1
 D439,744 S * 4/2001 Ho D3/323
 D468,155 S * 1/2003 Klock D7/392.1
 D499,931 S * 12/2004 Kim D7/392.1
 6,938,768 B2 * 9/2005 Ferretti B65D 43/0212
 116/307
 D515,865 S * 2/2006 Kim D7/392.1
 D526,857 S * 8/2006 Littmann D7/629
 D537,293 S * 2/2007 Ho D7/392.1
 7,264,120 B2 * 9/2007 Turvey A47J 47/02
 116/309

D557,992 S * 12/2007 Stamper D7/629
 D596,455 S * 7/2009 Laib D7/392.1
 D612,196 S * 3/2010 Furlong D7/392.1
 D677,523 S * 3/2013 Blckert D7/392.1
 D700,473 S * 3/2014 Duvigneau D7/391
 D723,369 S * 3/2015 Dash D9/453
 D811,160 S * 2/2018 Evans D7/392.1
 D818,766 S * 5/2018 Xie D7/391
 9,957,089 B2 * 5/2018 Rogers B65D 43/06
 D839,739 S * 2/2019 Stammen D9/454
 D839,740 S * 2/2019 Stammen D9/454

OTHER PUBLICATIONS

Odditymall “UniLid Universal Lid Lets You Track How Old Your Leftovers Are” (online) published on Jan. 26, 2018. Retrieved from Internet on Mar. 30, 2019, URL: <https://odditymall.com/date-tracking-universal-leftover-lid> (9 pages).*

* cited by examiner

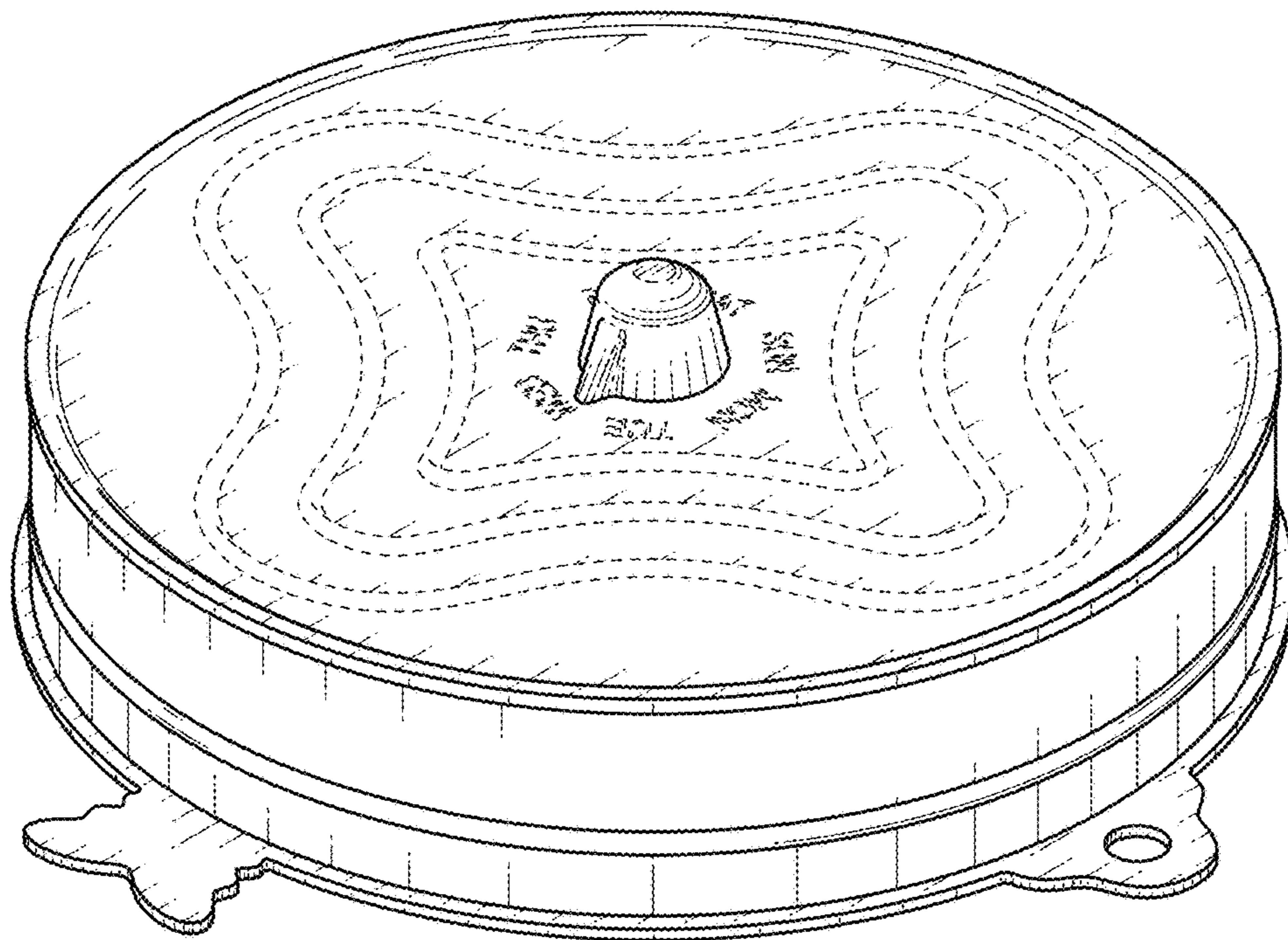


FIG. 1

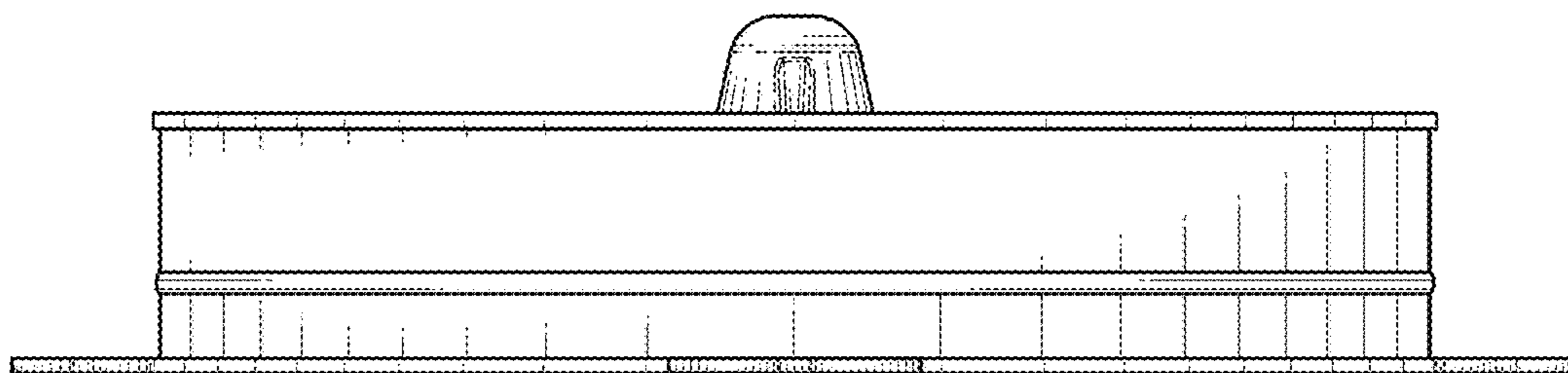


FIG. 2

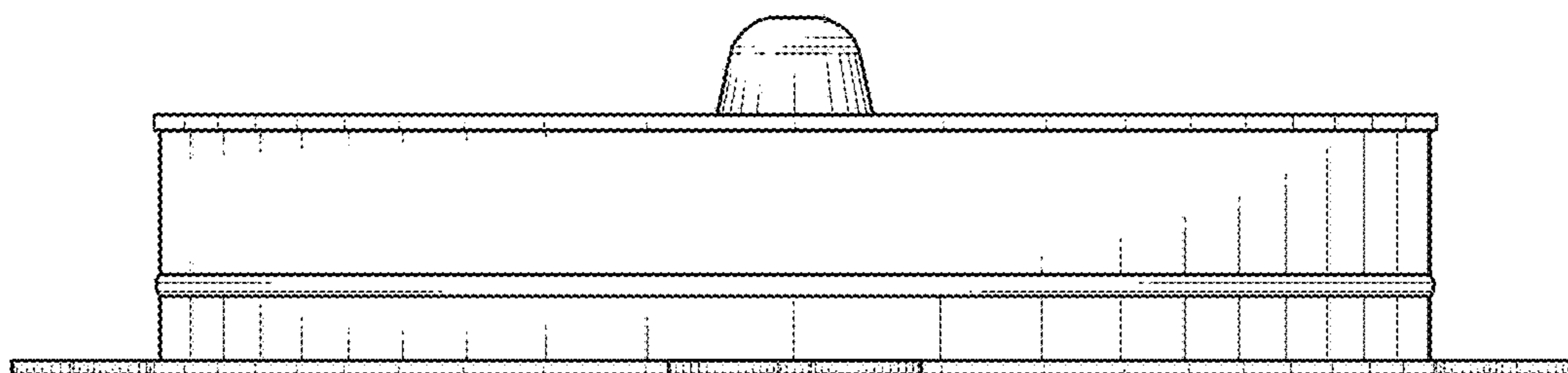


FIG. 3

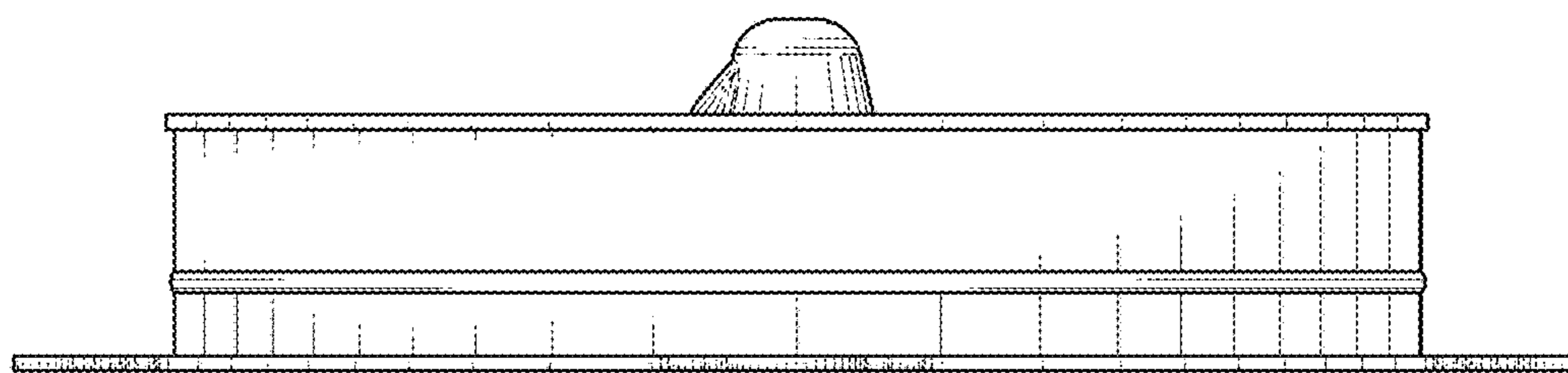


FIG. 4

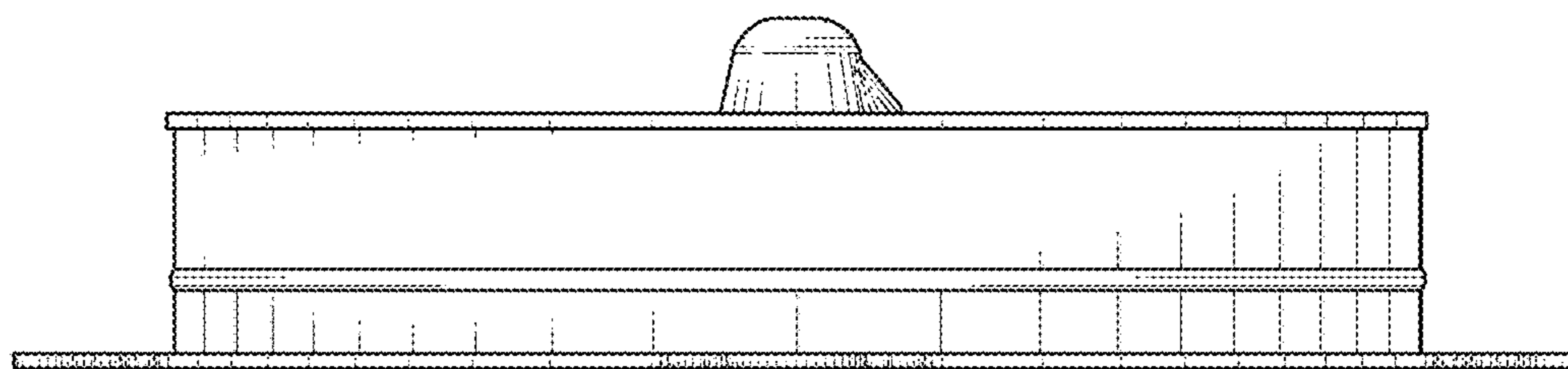


FIG. 5

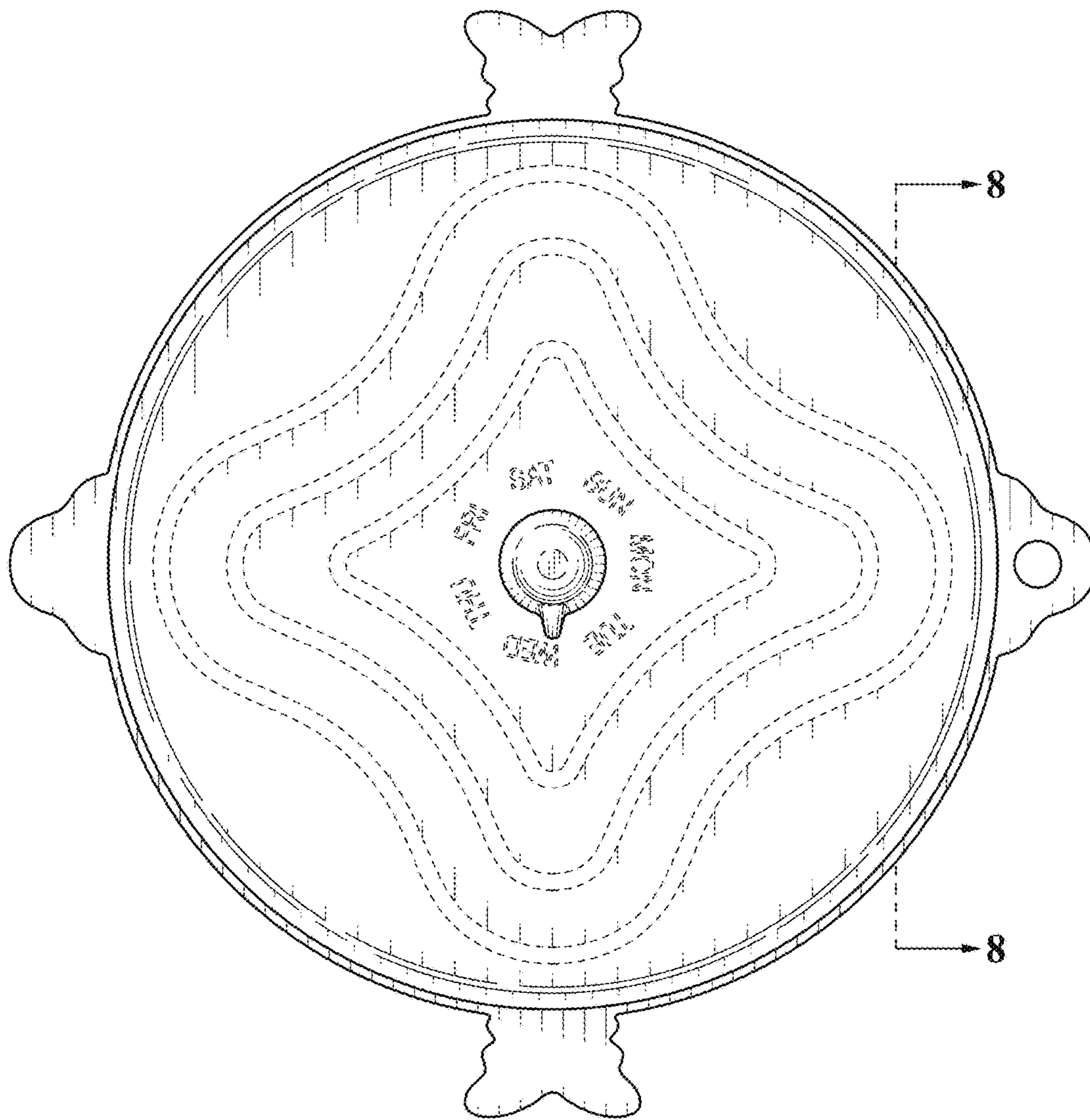


FIG. 6

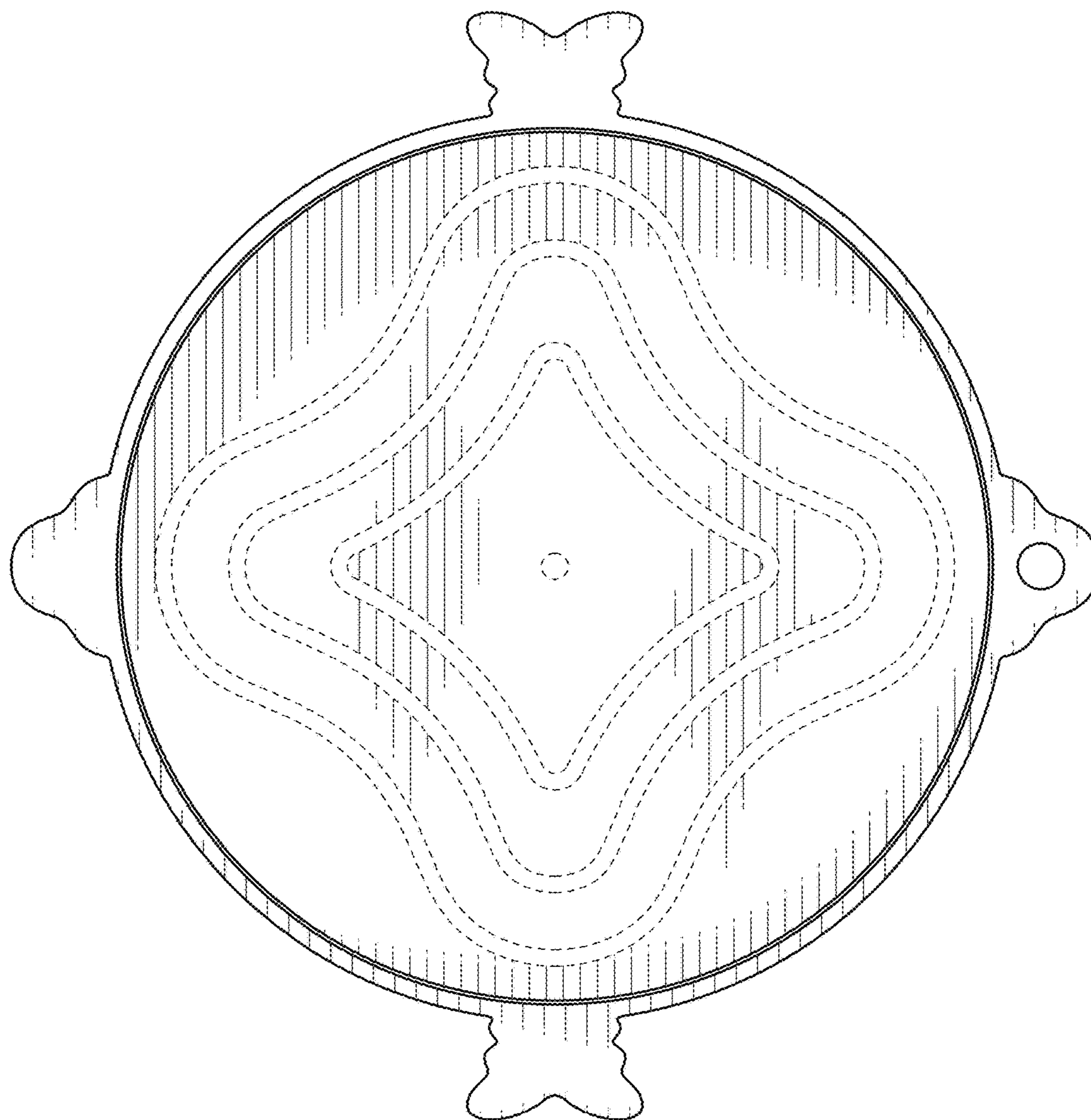


FIG. 7

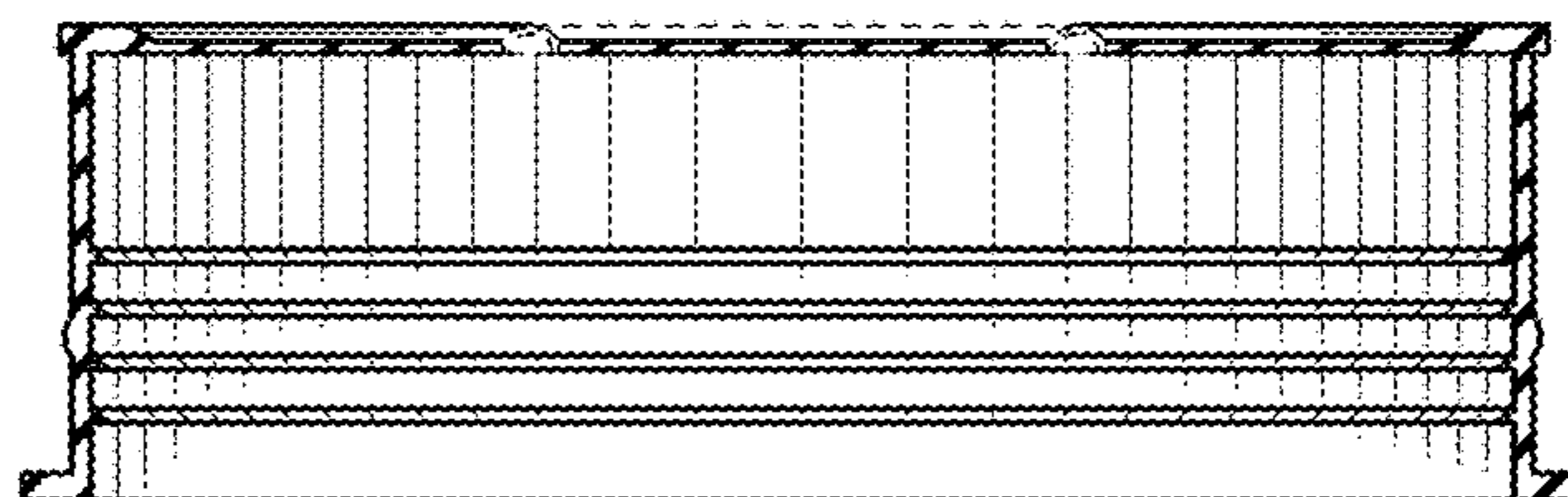


FIG. 8