



US00D851983S

(12) **United States Design Patent**
Vazin

(10) **Patent No.:** **US D851,983 S**

(45) **Date of Patent:** **** Jun. 25, 2019**

(54) **SPLASH RESISTANT CAP**

(71) Applicant: **AMERICAN MAID PLASTIC CO.**,
Riverside, CA (US)

(72) Inventor: **Moe Vazin**, Rancho Palos Verdes, CA
(US)

(73) Assignee: **American Maid Plastic Co.**, Riverside,
CA (US)

(**) Term: **15 Years**

(21) Appl. No.: **29/651,033**

(22) Filed: **Nov. 1, 2017**

(51) **LOC (11) Cl.** **07-02**

(52) **U.S. Cl.**
USPC **D7/391**

(58) **Field of Classification Search**

USPC D7/391, 392, 392.1, 393, 397, 510, 629;
D9/414, 424-432, 435, 446, 447, 449,
D9/451-453

CPC A47J 36/027; A47J 36/06; A47J 37/10;
A47J 37/101; B65D 21/0209; B65D
43/00; B65D 43/02; B65D 43/022; B65D
43/161; B65D 43/162; B65D 45/00;
B65D 45/16; B65D 45/18; B65D 51/16;
B65D 51/1683; B65D 51/1688; B65D
51/1694; B65F 1/1615; A61M 5/31511

See application file for complete search history.

(56) **References Cited**

U.S. PATENT DOCUMENTS

2,224,296	A	12/1940	Hoffman	
2,961,119	A	11/1960	Leach	
4,448,319	A	5/1984	Kern	
D315,507	S *	3/1991	Ochs A61M 5/31511 D9/453
D318,804	S *	8/1991	Ochs D9/453
D437,228	S *	2/2001	Collins D9/453

D518,719	S *	4/2006	von Spreckelsen D9/453
D543,107	S *	5/2007	Reed D9/453
D543,108	S *	5/2007	Reed D9/453
D574,708	S *	8/2008	Reed D9/453

(Continued)

Primary Examiner — Ricky Pham

(74) *Attorney, Agent, or Firm* — Jonathan E. Grant; Grant
Patent Services

(57) **CLAIM**

The ornamental design for a splash resistant cap, as shown
and described.

DESCRIPTION

FIG. 1—is a perspective view of the underside of the splash
resistant cap;

FIG. 2—is an overhead view of the underside of the splash
resistant cap;

FIG. 3—is an overhead view of the outside of the splash
resistant cap;

FIG. 4—is a front view of the splash resistant cap;

FIG. 5—is a back view of the splash resistant cap;

FIG. 6—is a first side view of the splash resistant cap;

FIG. 7 is a second side view of the splash resistant cap;

FIG. 8 is an exploded perspective view of the underside of
the splash resistant cap and its inner cap which fits inside
thereof;

FIG. 9 is an exploded top view of both the splash resistant
cap and its inner cap that fits inside thereof;

FIG. 10 is an exploded underside view of both the splash
resistant cap and its inner cap that fits inside thereof;

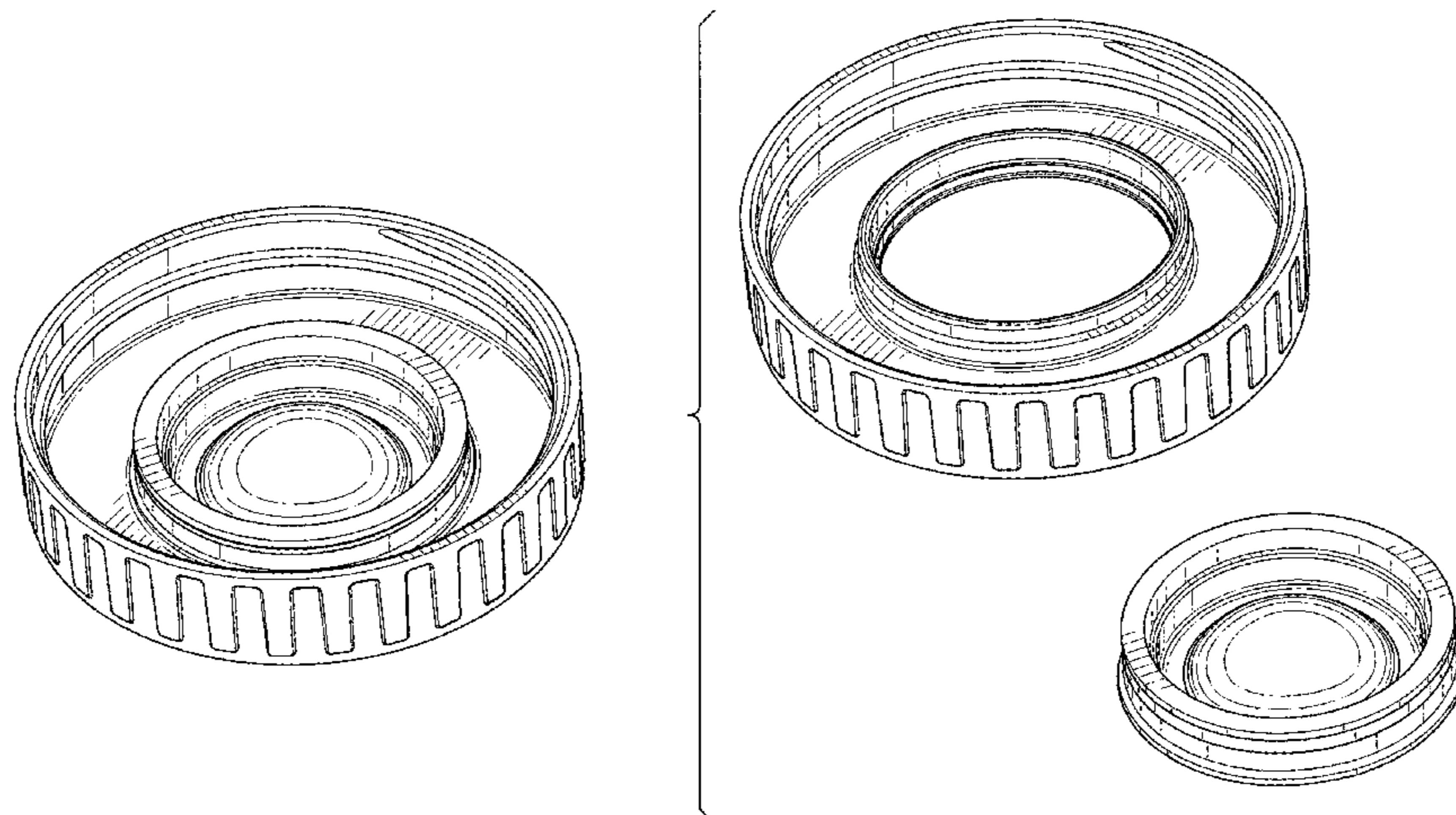
FIG. 11 is an exploded front side of both the splash resistant
cap and its inner cap that fits inside thereof;

FIG. 12 is an exploded back side view of both the splash
resistant cap and its inner cap that fits inside thereof;

FIG. 13 is an exploded first side view of both the splash
resistant cap and its inner cap that fits inside thereof; and,

FIG. 14 is an exploded second side view of both the splash
resistant cap and its inner cap that fits inside thereof.

1 Claim, 8 Drawing Sheets



(56)

References Cited

U.S. PATENT DOCUMENTS

D616,746 S *	6/2010	Stull	D9/452
D642,919 S *	8/2011	Taylor	D9/453
D674,277 S *	1/2013	Hanson	D9/446
D694,110 S *	11/2013	Tanner	D9/452
8,695,819 B1	4/2014	Anderson	
9,027,769 B2	5/2015	Willows	
9,707,349 B2	7/2017	Anderson	
D818,766 S *	5/2018	Xie	D7/391
2012/0109073 A1*	5/2012	Anderson	A61M 5/31511 604/192

* cited by examiner

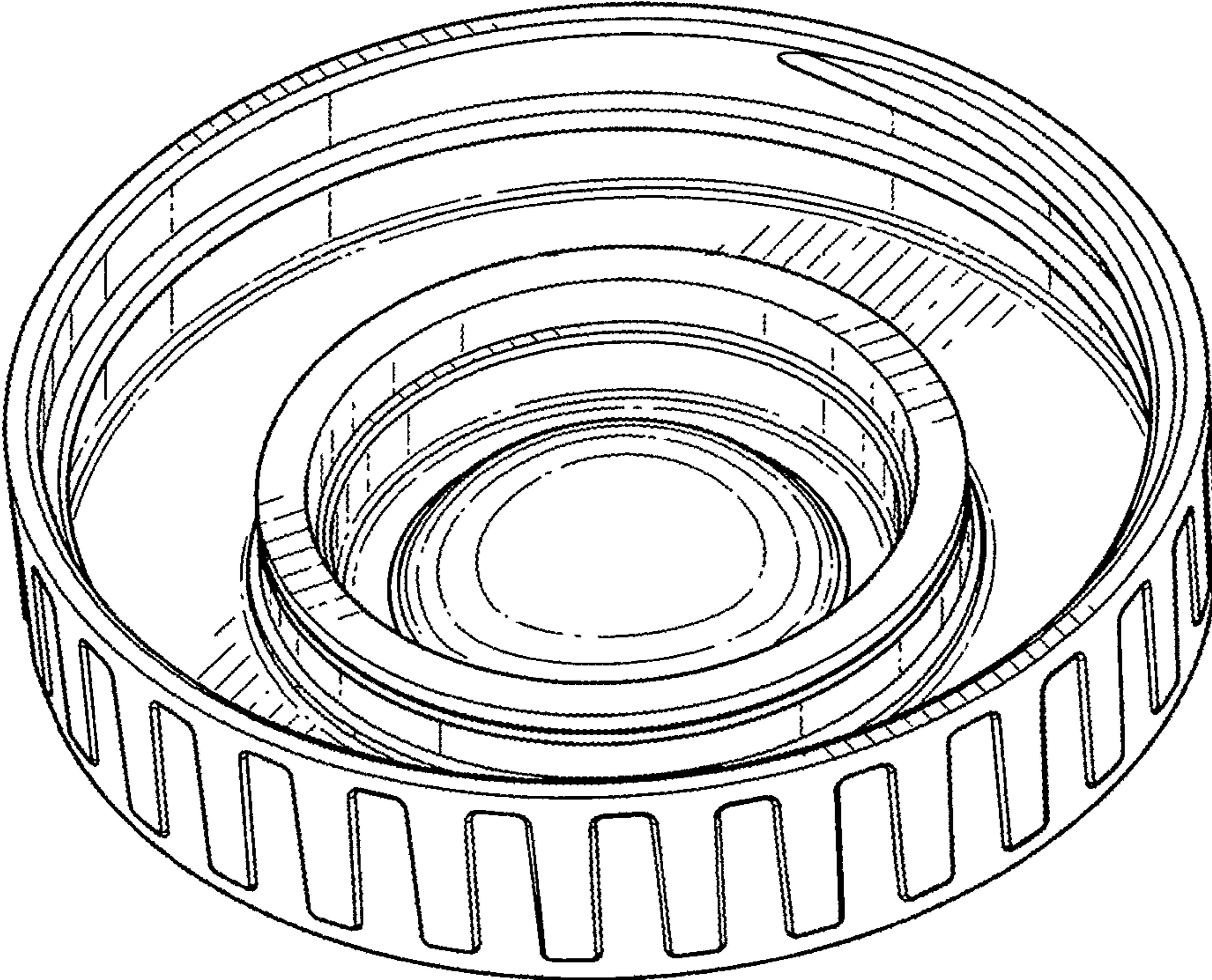


FIG. 1

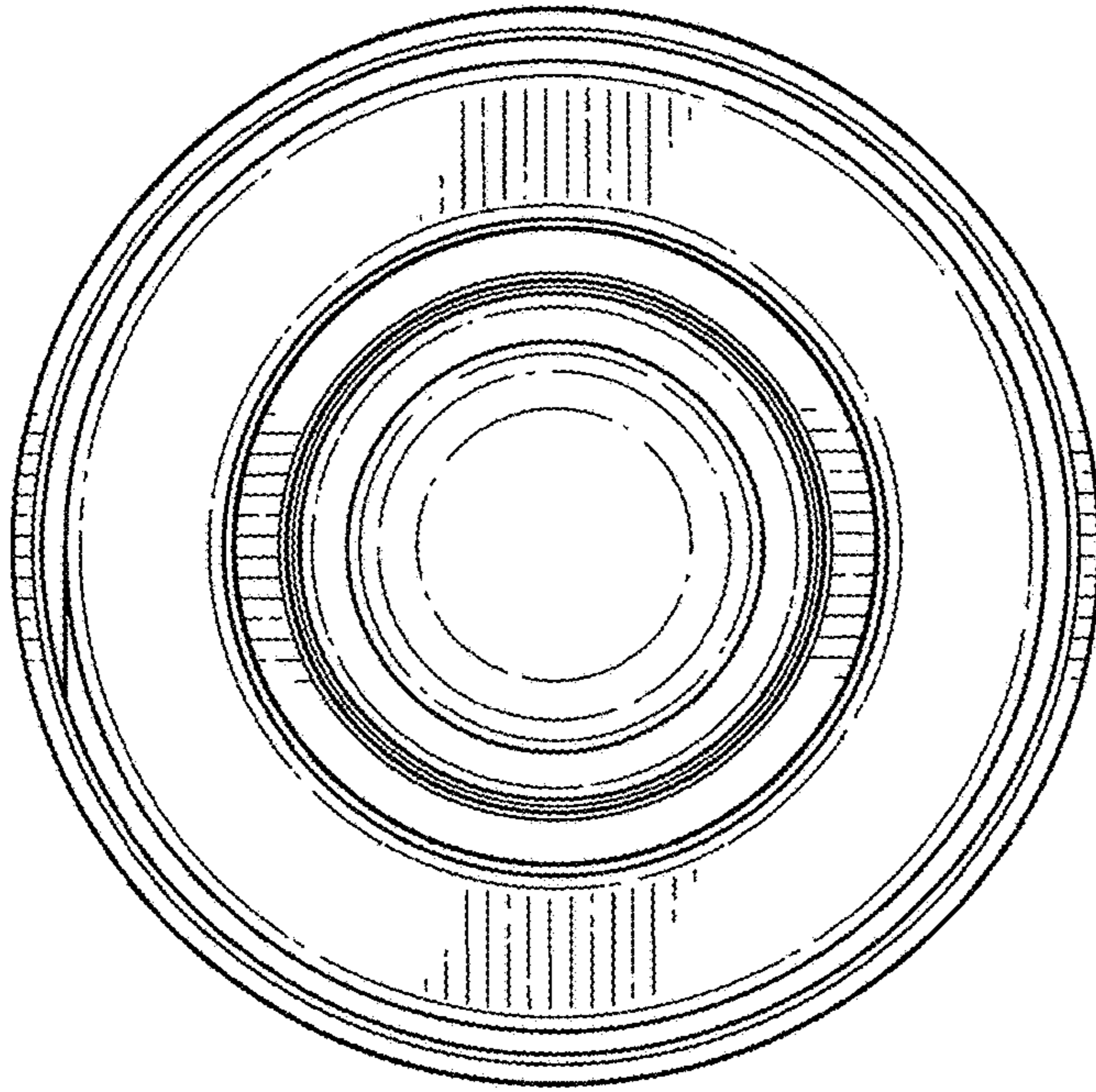


FIG. 2

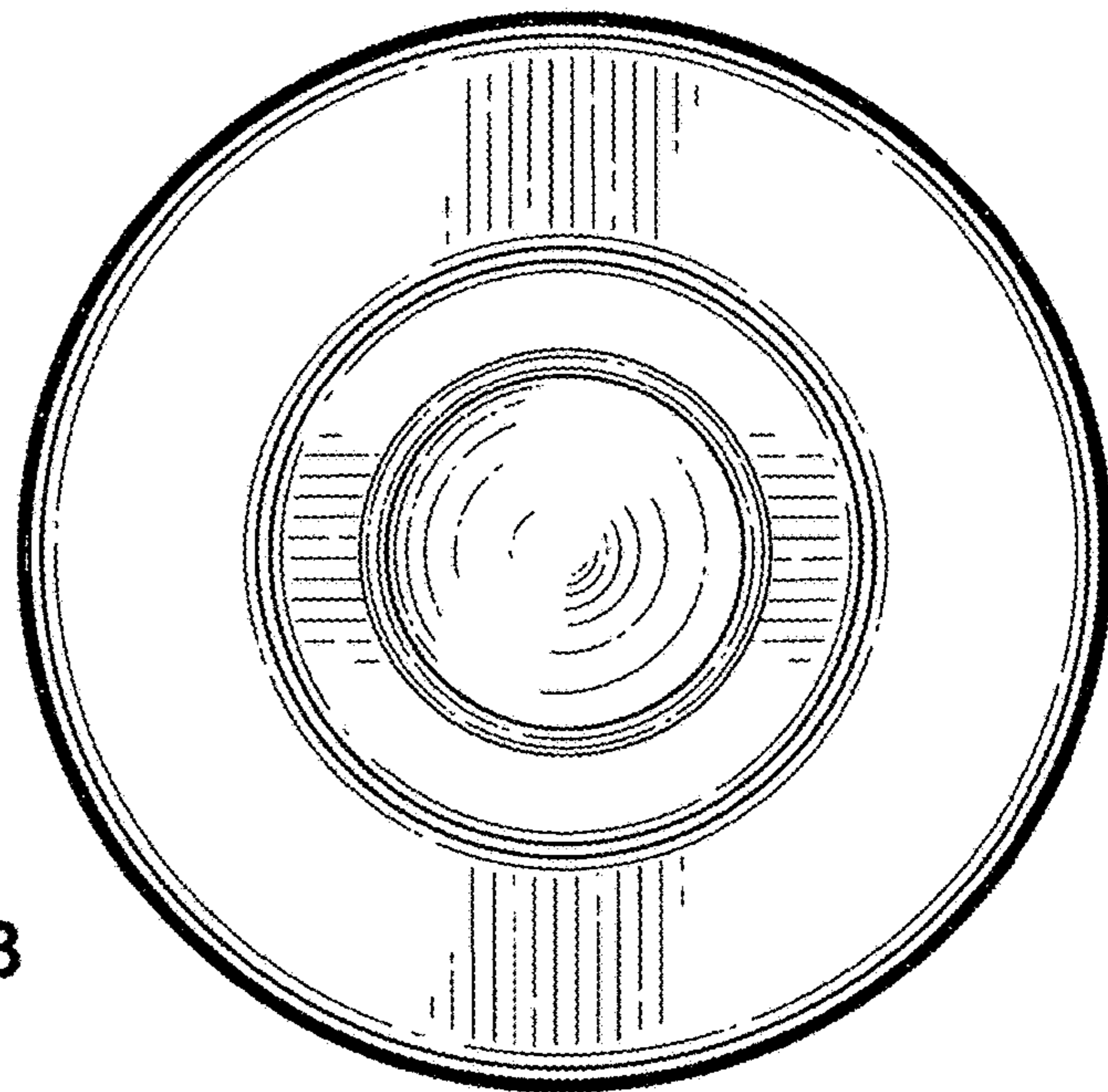


FIG. 3

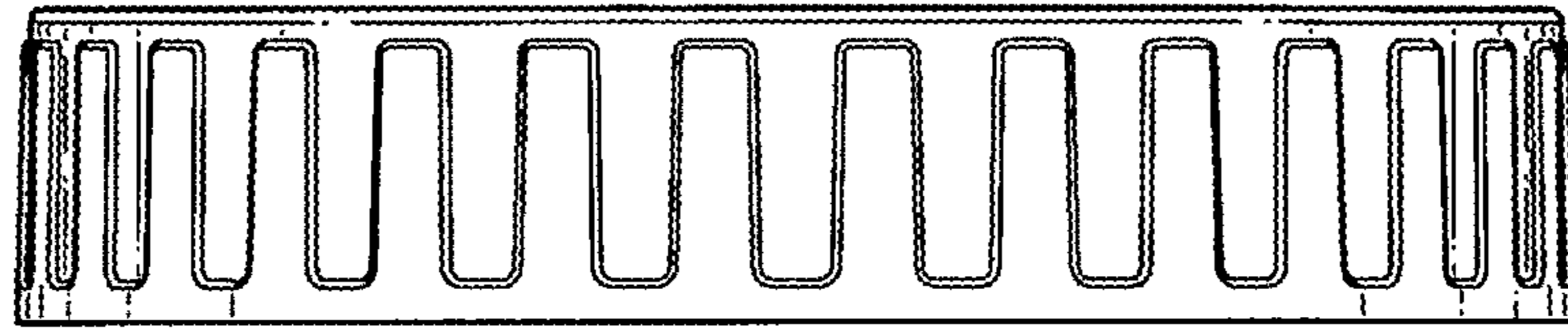


FIG. 4

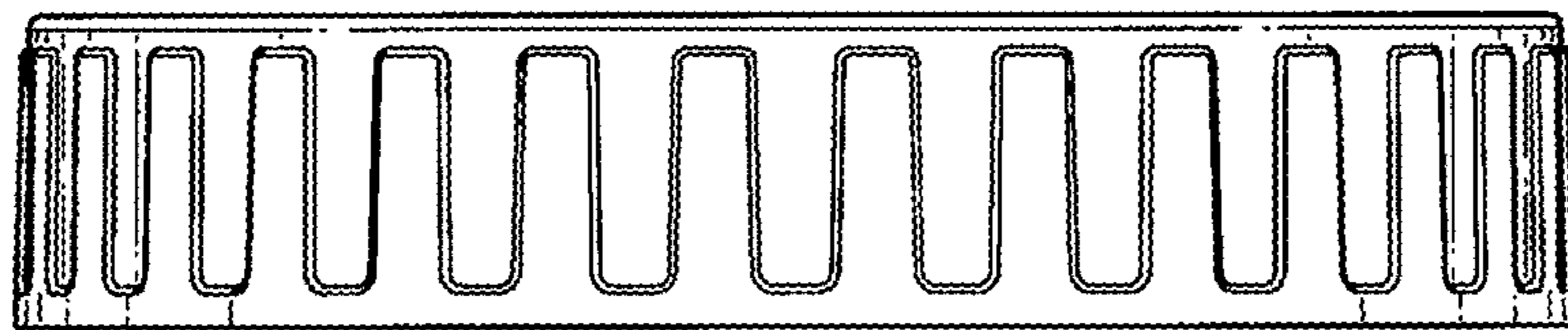


FIG. 5

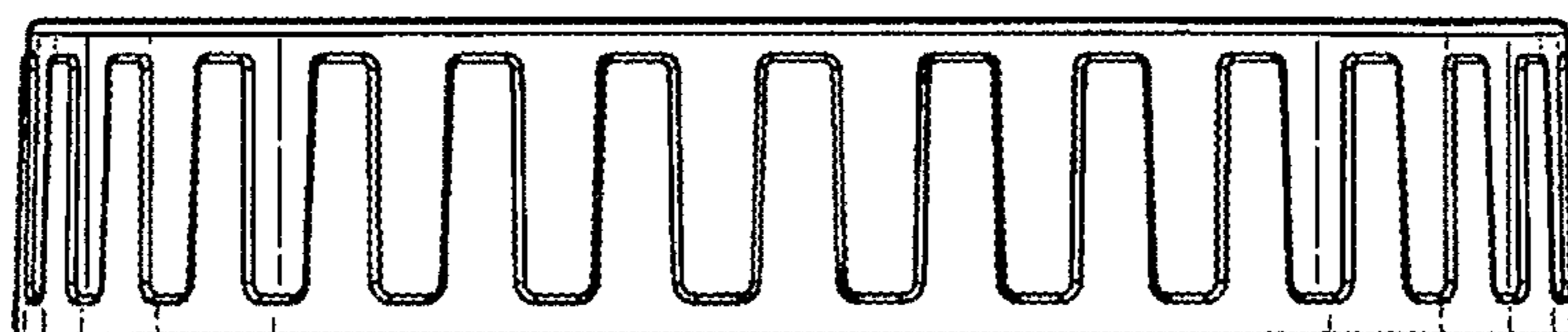


FIG. 6

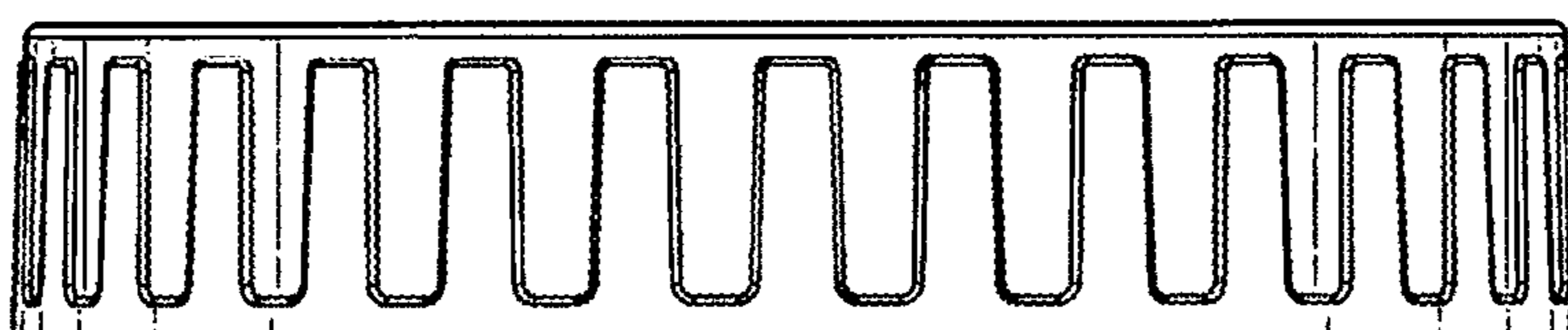


FIG. 7

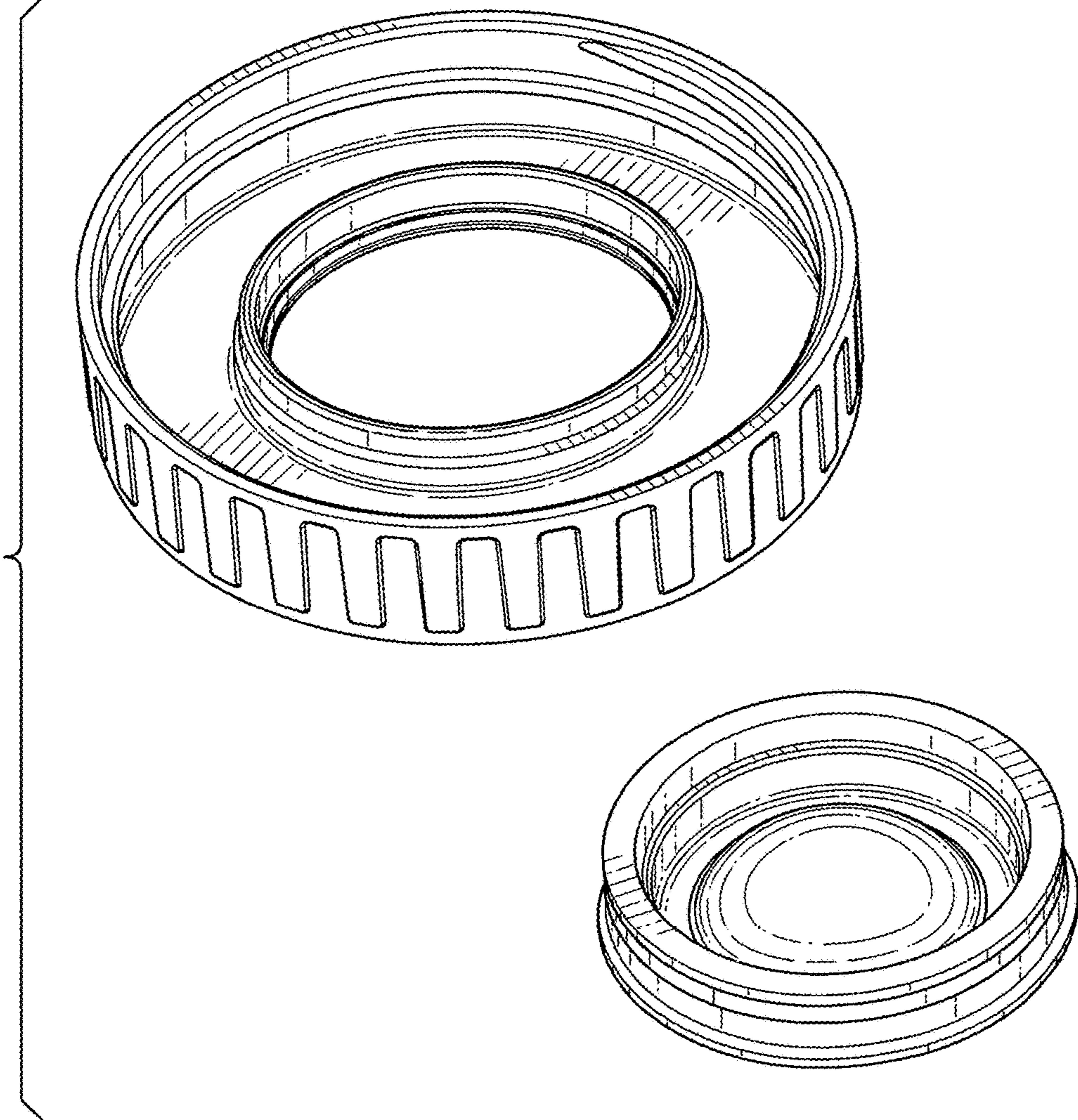


FIG. 8

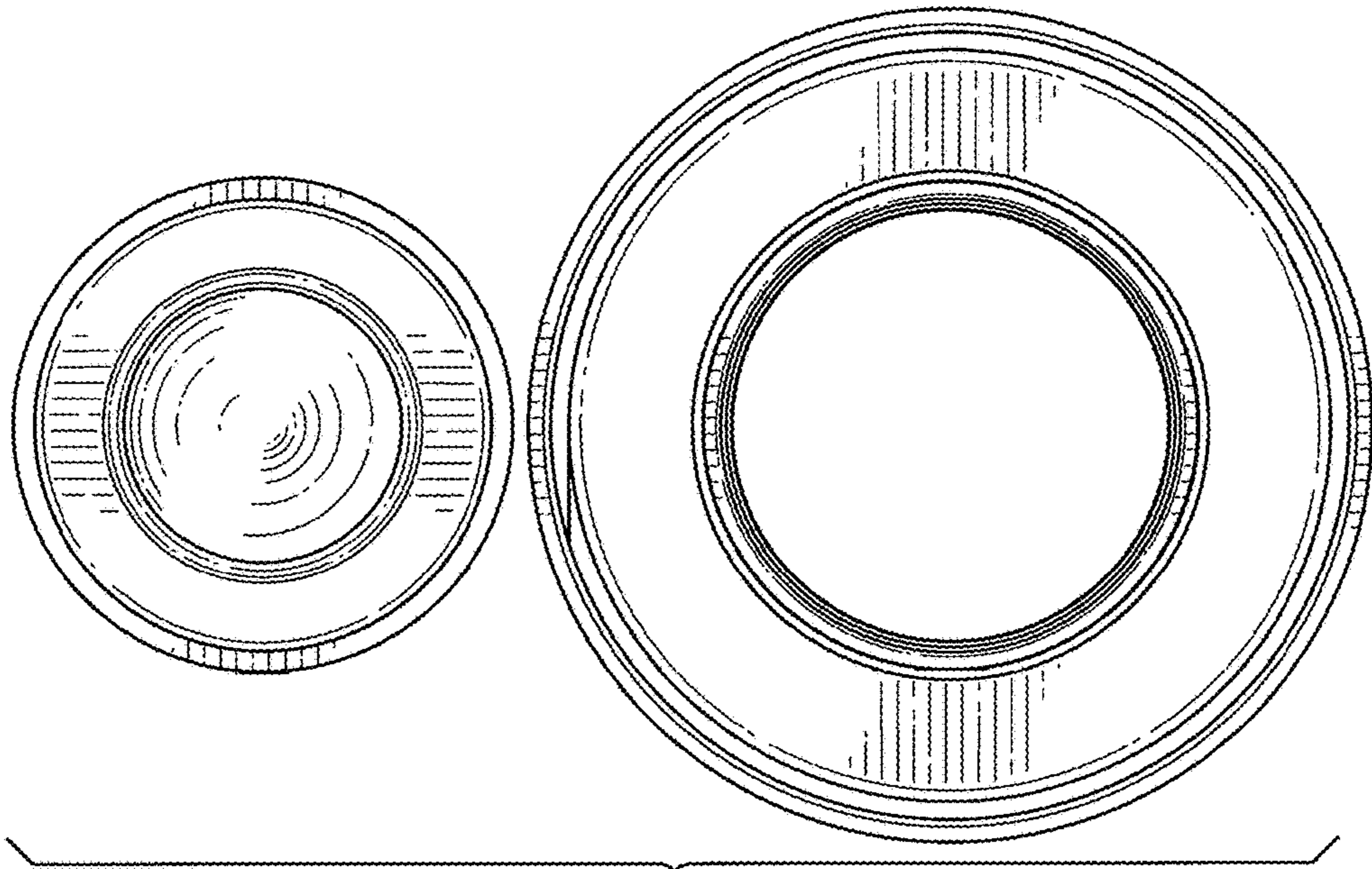


FIG. 9

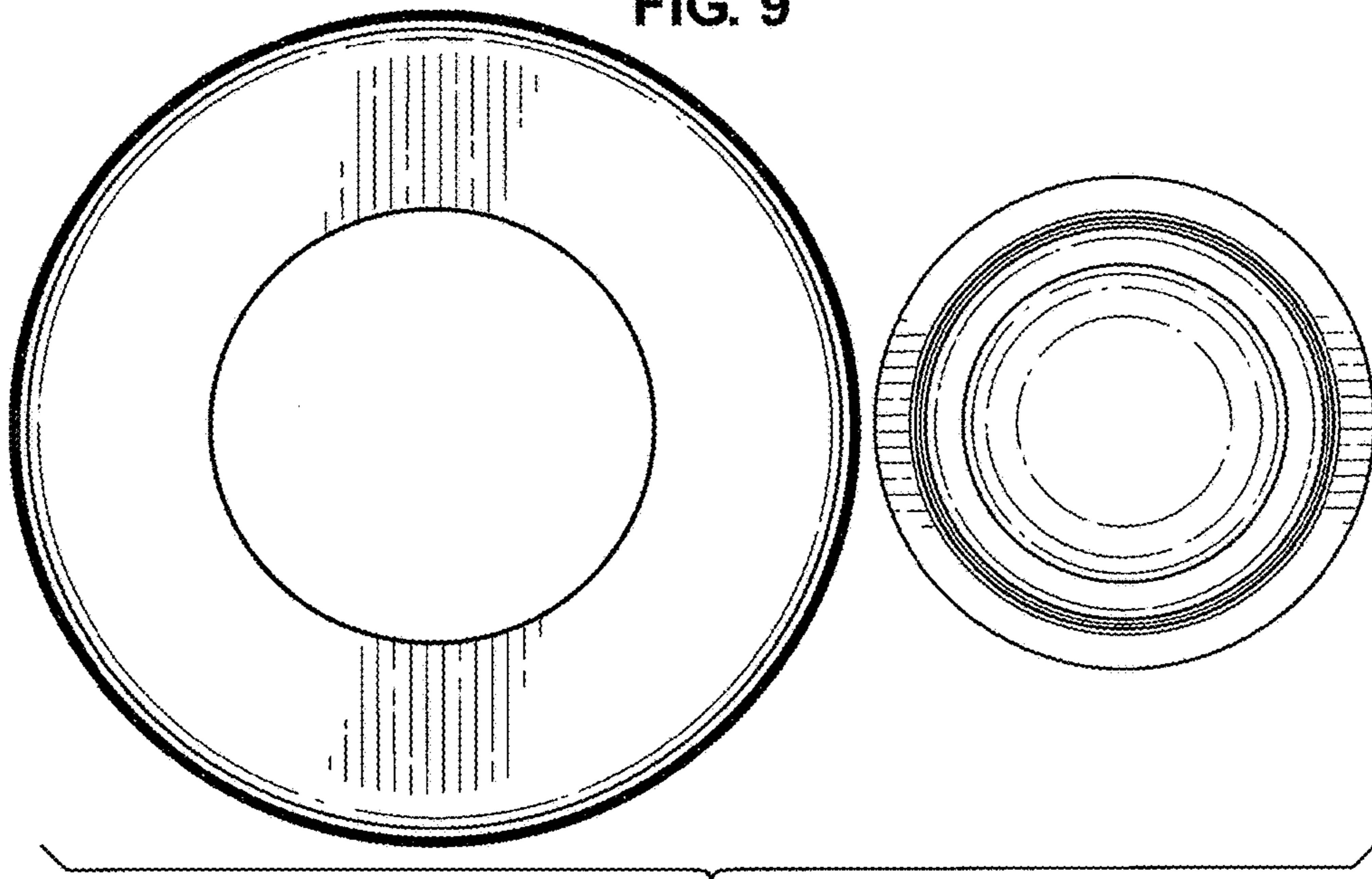


FIG. 10

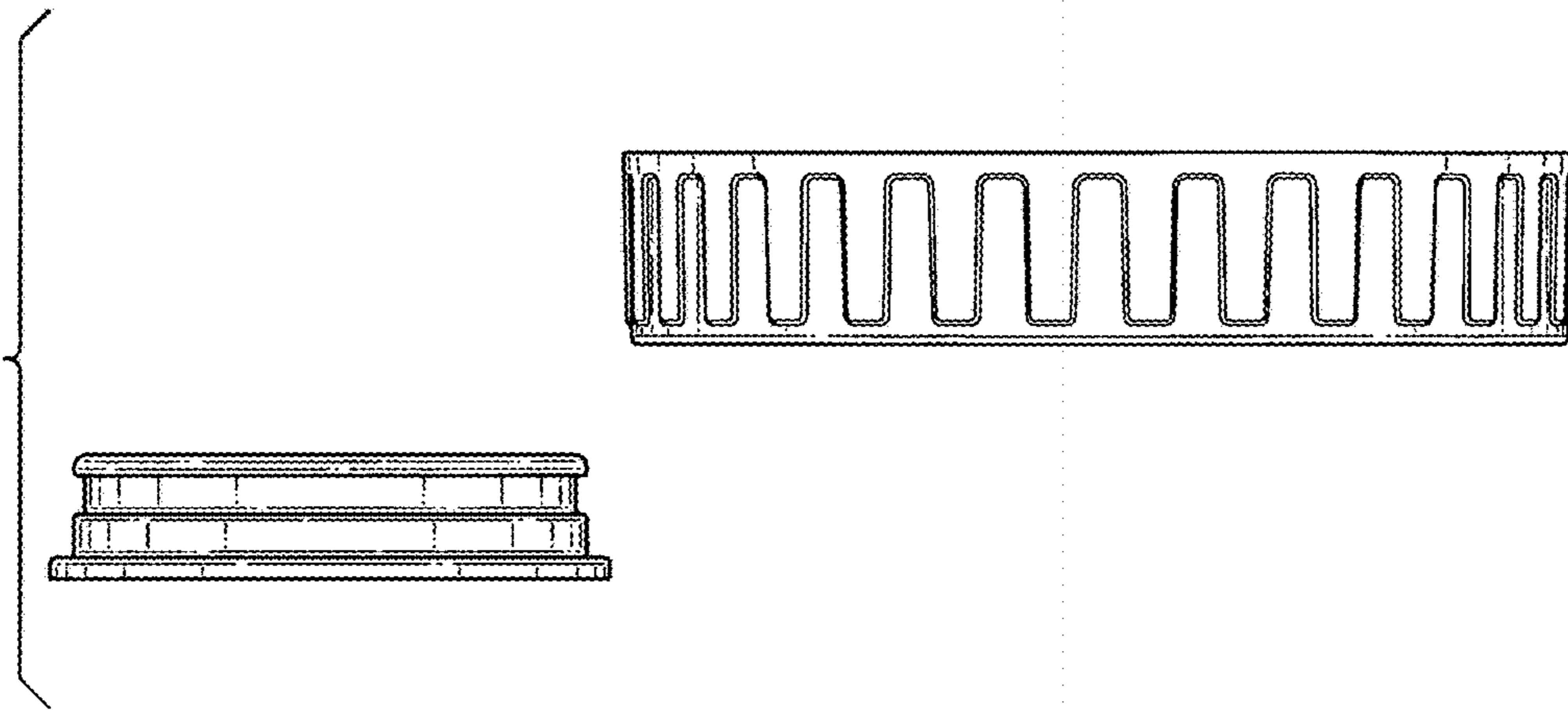


FIG. 11

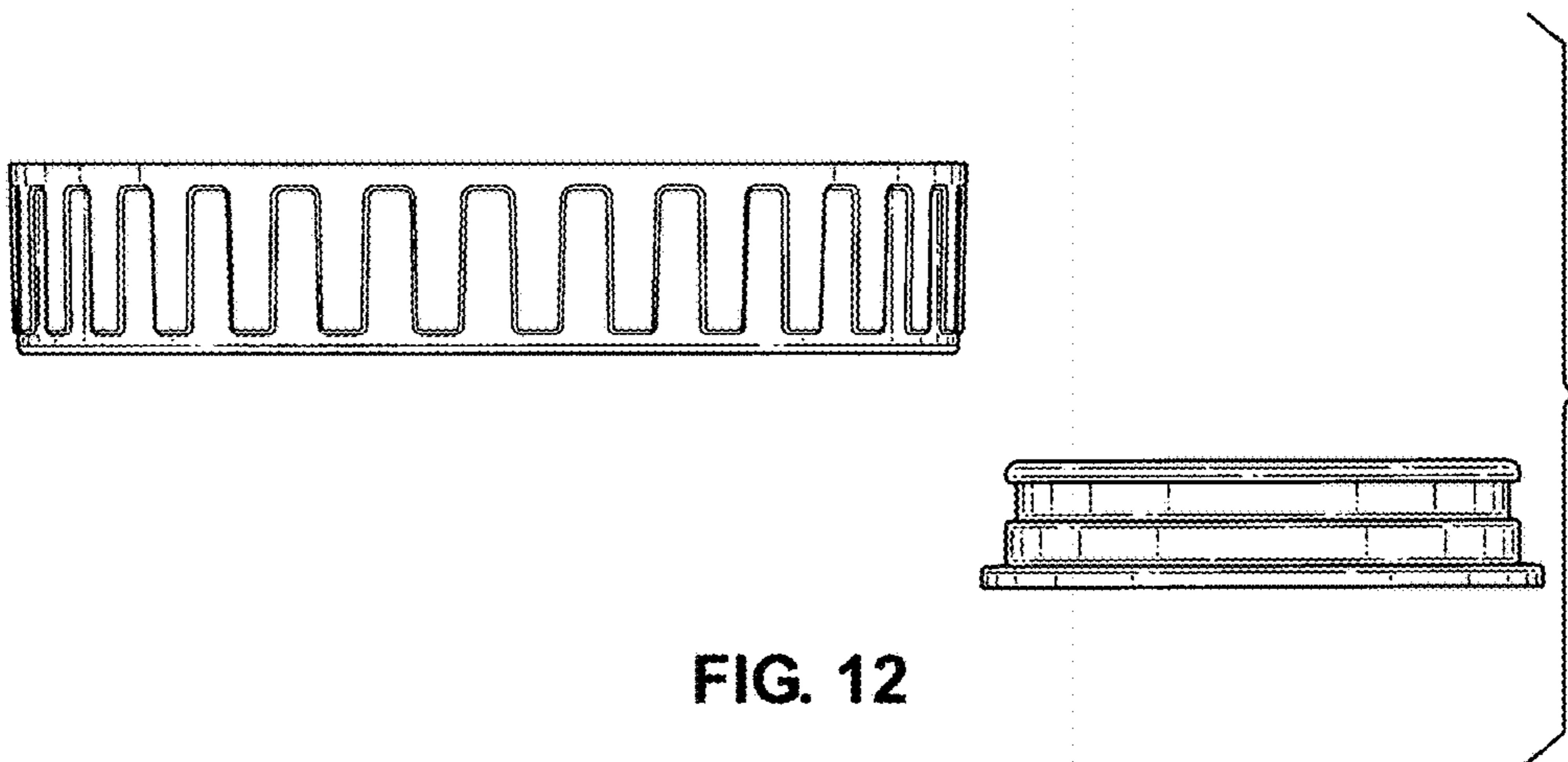


FIG. 12

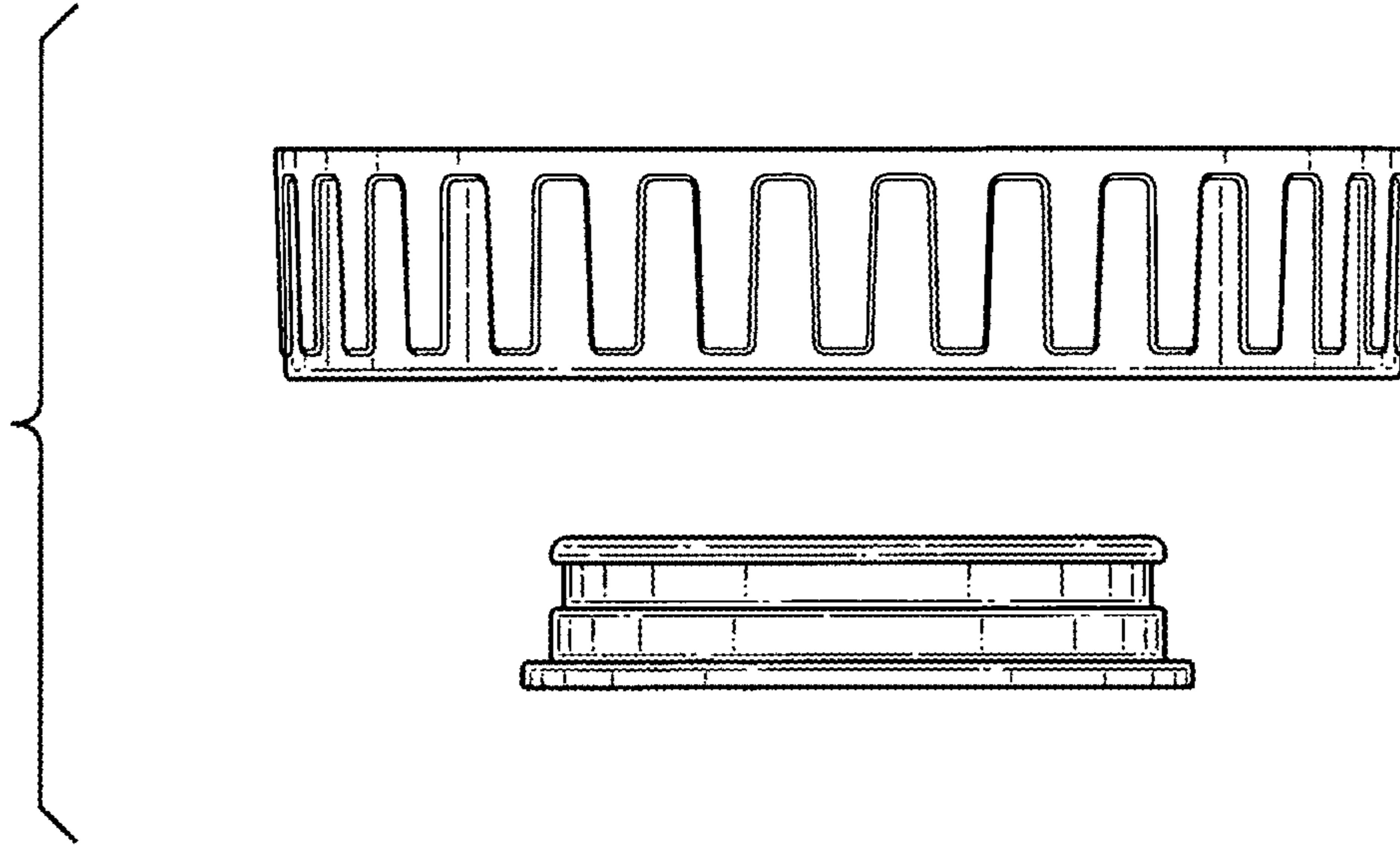


FIG. 13

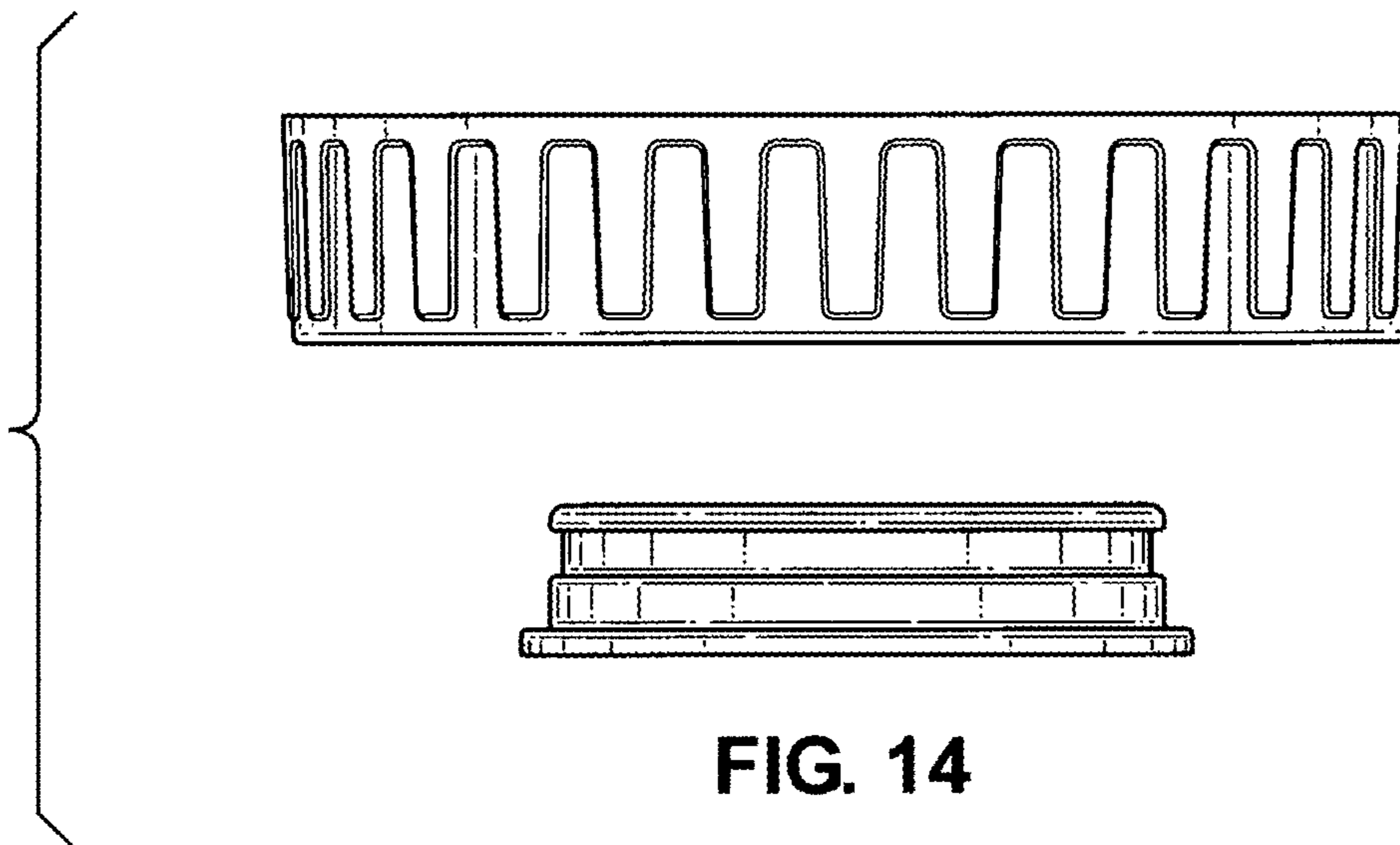


FIG. 14