



US00D851982S

(12) **United States Design Patent**
DeLeo et al.

(10) **Patent No.:** **US D851,982 S**
(45) **Date of Patent:** **** Jun. 25, 2019**

(54) **BLENDER JAR**

(71) Applicant: **Sunbeam Products, Inc.**, Boca Raton, FL (US)

(72) Inventors: **Anthony DeLeo**, Portage, MI (US);
Mark Zavada, Kalamazoo, MI (US)

(73) Assignee: **Sunbeam Products, Inc.**, Boca Raton, FL (US)

(**) Term: **15 Years**

(21) Appl. No.: **29/627,521**

(22) Filed: **Nov. 28, 2017**

(51) **LOC (11) Cl.** **31-00**

(52) **U.S. Cl.**
USPC **D7/378**

(58) **Field of Classification Search**
USPC D7/306, 309, 372, 374, 376, 377, 378, D7/379, 380, 381, 383, 384, 385, 386, D7/412, 413, 598, 694
CPC .. A47J 43/04; A47J 43/25; A47J 43/27; A47J 43/042; A47J 43/044; A47J 43/046; A47J 43/075; A47J 43/0722; A47J 43/0727; A47J 42/40; A21C 1/02; A21C 1/04; A23G 9/045; A23N 1/00; A23N 1/02; B01F 3/00; B01F 3/0807; B01F 3/0853; B01F 13/0059; B01F 13/0064; B02C 1/08; B02C 2/04; B02C 4/42; B02C 4/142; B02C 4/143; B02C 4/423; B02C 13/1835; B28C 5/10; B28C 5/12; B28C 5/14; B28C 5/16
See application file for complete search history.

(56) **References Cited**

U.S. PATENT DOCUMENTS

D427,488 S * 7/2000 Herbert D7/413
D435,192 S * 12/2000 Bohannon, Jr. D7/413
D480,915 S * 10/2003 Kolar D7/413
D528,363 S * 9/2006 Ulanski D7/413

D647,367 S * 10/2011 Audette D7/376
D678,726 S * 3/2013 Palermo D7/376
D684,818 S * 6/2013 Lee D7/376
D709,326 S * 7/2014 Thai D7/378
D783,354 S * 4/2017 Smith D7/376
D784,761 S * 4/2017 Tu D7/376
D798,101 S * 9/2017 Rose D7/376
D798,109 S * 9/2017 Ulanski D7/376
D807,700 S * 1/2018 Tu D7/413
D808,719 S * 1/2018 Coakley D7/413
9,877,612 B2 * 1/2018 Rojas Restrepo A47J 43/046
D811,167 S * 2/2018 Smith D7/413
D833,814 S * 11/2018 Smith D7/413

(Continued)

OTHER PUBLICATIONS

Sunbeam Cafe Series Blender Replacement Parts, posted Sep. 16, 2018 [online], retrieved Jan. 15, 2019, retrieved from internet, <<https://reviewmotors.co/sunbeam-cafe-series-blender-replacement-parts/>>.*

(Continued)

Primary Examiner — Barbara Fox
Assistant Examiner — Messina L Smith
(74) *Attorney, Agent, or Firm* — Husch Blackwell LLP

(57) **CLAIM**

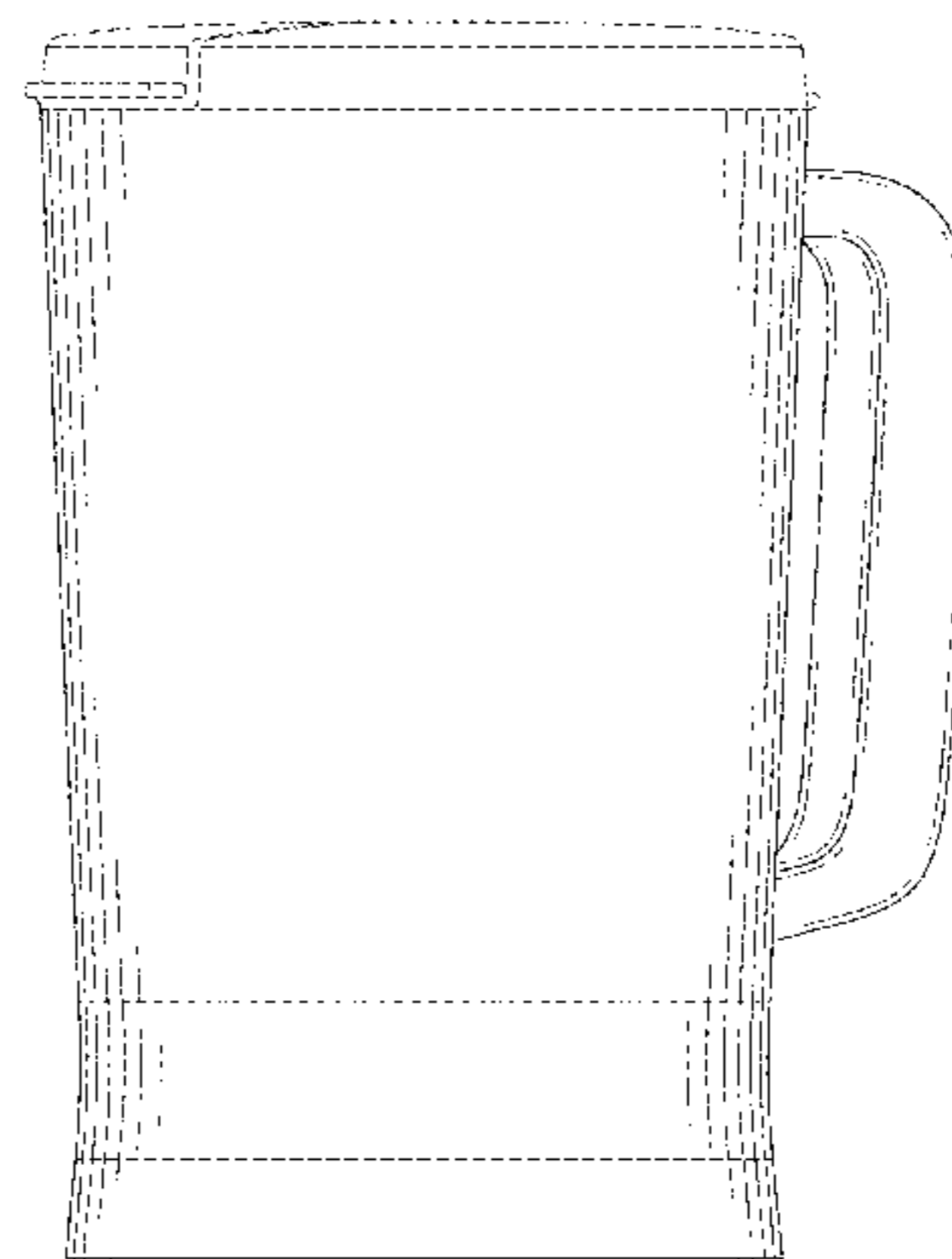
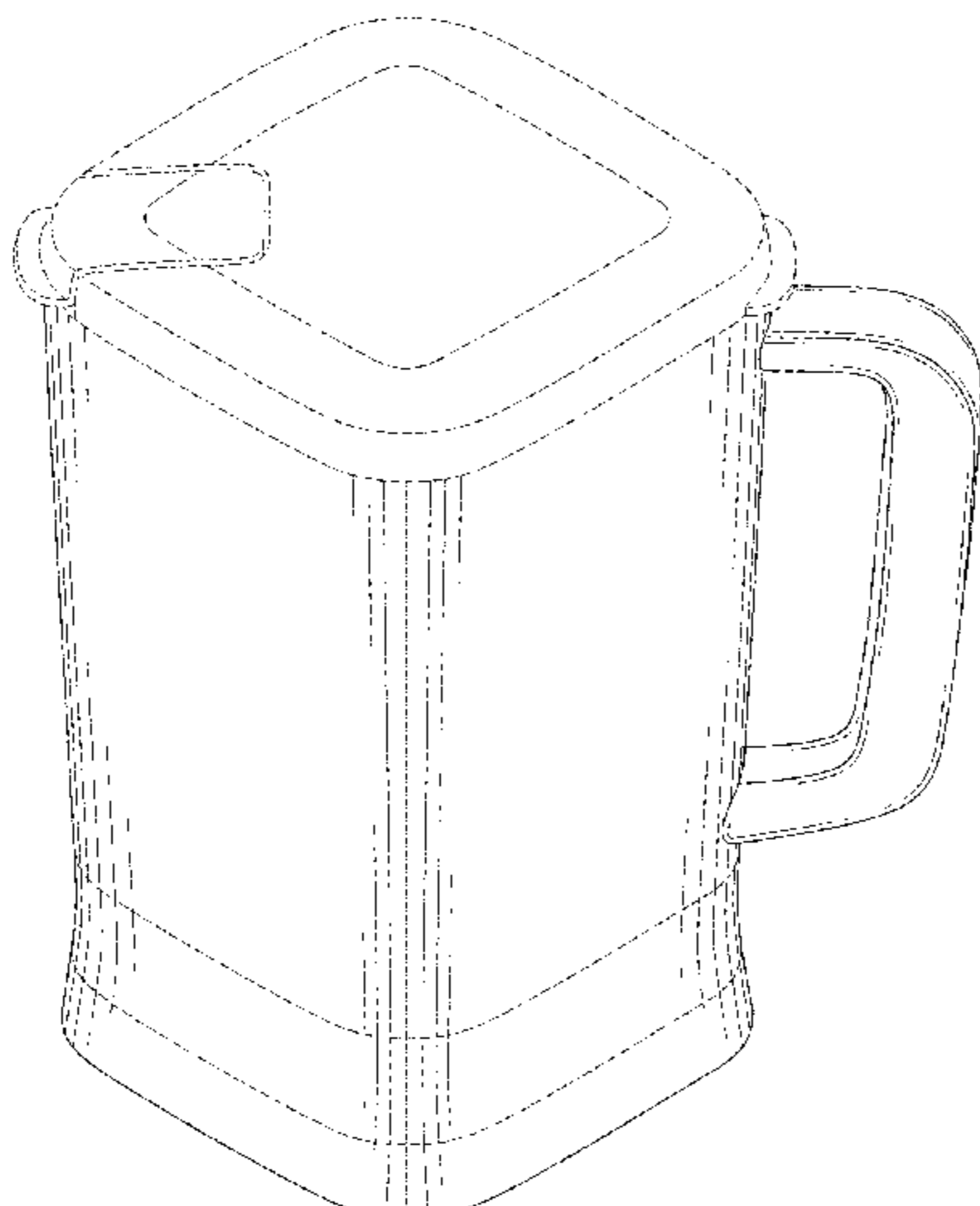
The ornamental design for a blender jar, as shown and described.

DESCRIPTION

FIG. 1 is a front perspective view of a blender jar of the present disclosure;
FIG. 2 is a first side view thereof;
FIG. 3 is a second side view thereof;
FIG. 4 is a third side view thereof;
FIG. 5 is a fourth side view thereof;
FIG. 6 is a top view thereof; and,
FIG. 7 is a bottom view thereof.

The broken lines in the drawings depict portions of the blender jar that form no part of the claimed design.

1 Claim, 4 Drawing Sheets



(56)

References Cited

U.S. PATENT DOCUMENTS

D835,463 S * 12/2018 Coakley D7/413
2001/0028913 A1 * 10/2001 Kolar A23G 9/045
426/590
2006/0261066 A1 * 11/2006 Boozer A47J 36/10
220/254.7
2009/0114616 A1 * 5/2009 White A47J 43/046
215/307
2012/0024993 A1 * 2/2012 Audette A47J 43/0777
241/30
2014/0321234 A1 * 10/2014 White B01F 7/00275
366/347
2015/0238050 A1 * 8/2015 Lee A47J 43/046
241/285.2
2016/0296899 A1 * 10/2016 Hoare A47J 43/046
2016/0324369 A1 * 11/2016 Lee A47J 43/046
2017/0341253 A1 * 11/2017 Arriens A47J 43/04

OTHER PUBLICATIONS

Sunbeam PB7950 MultiBlender Electronic Bench Blender, reviewed Feb. 1, 2016 [online], retrieved Jan. 15, 2019, retrieved from internet, <<https://www.appliancesonline.com.au/sunbeam-multiblender-pb7950/>>.*

Sunbeam PB7650 Glass Jug & Base Assy, posted Dec. 7, 2010 [online], retrieved Jan. 15, 2019, retrieved from internet, <https://spares.bigwarehouse.com.au/product_info.php?products_id=1636411>.*

Sunbeam Cafe Series Blender, reviewed 2013 [online], retrieved Jan. 15, 2019, retrieved from internet, <<https://www.harveynorman.com.au/sunbeam-pb9800-cafe-series-blender.html>>.*

* cited by examiner

FIG. 1

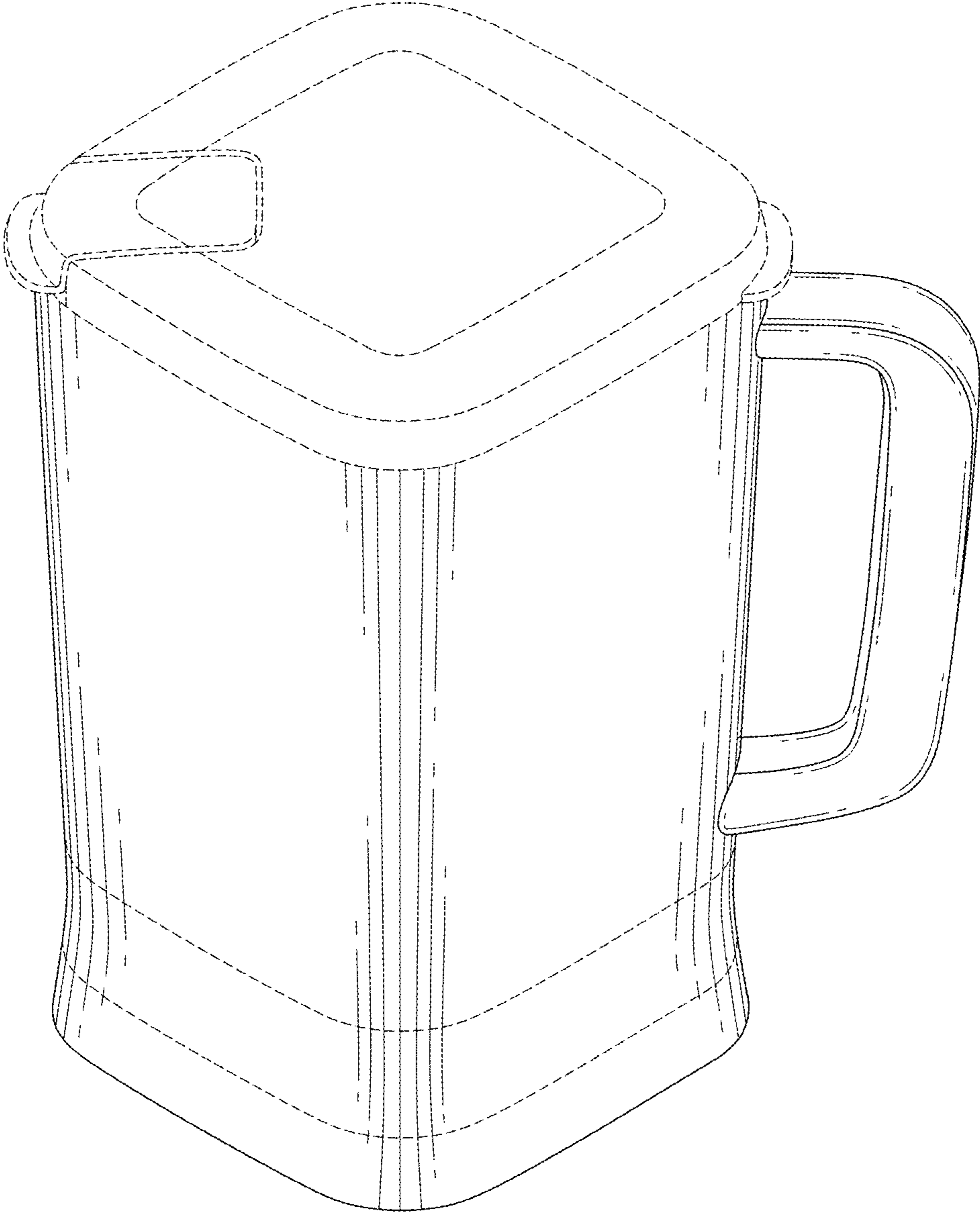


FIG. 3

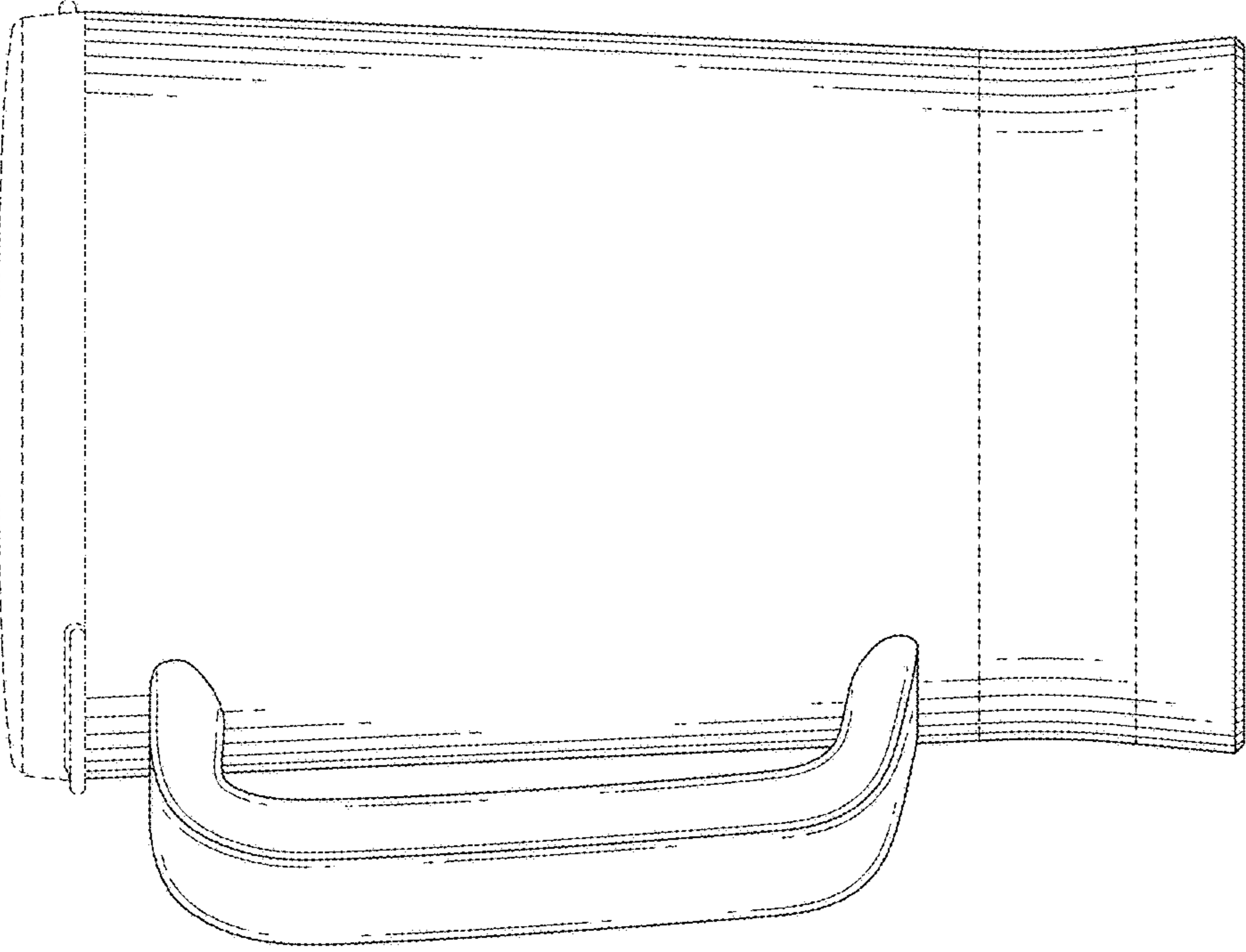


FIG. 2

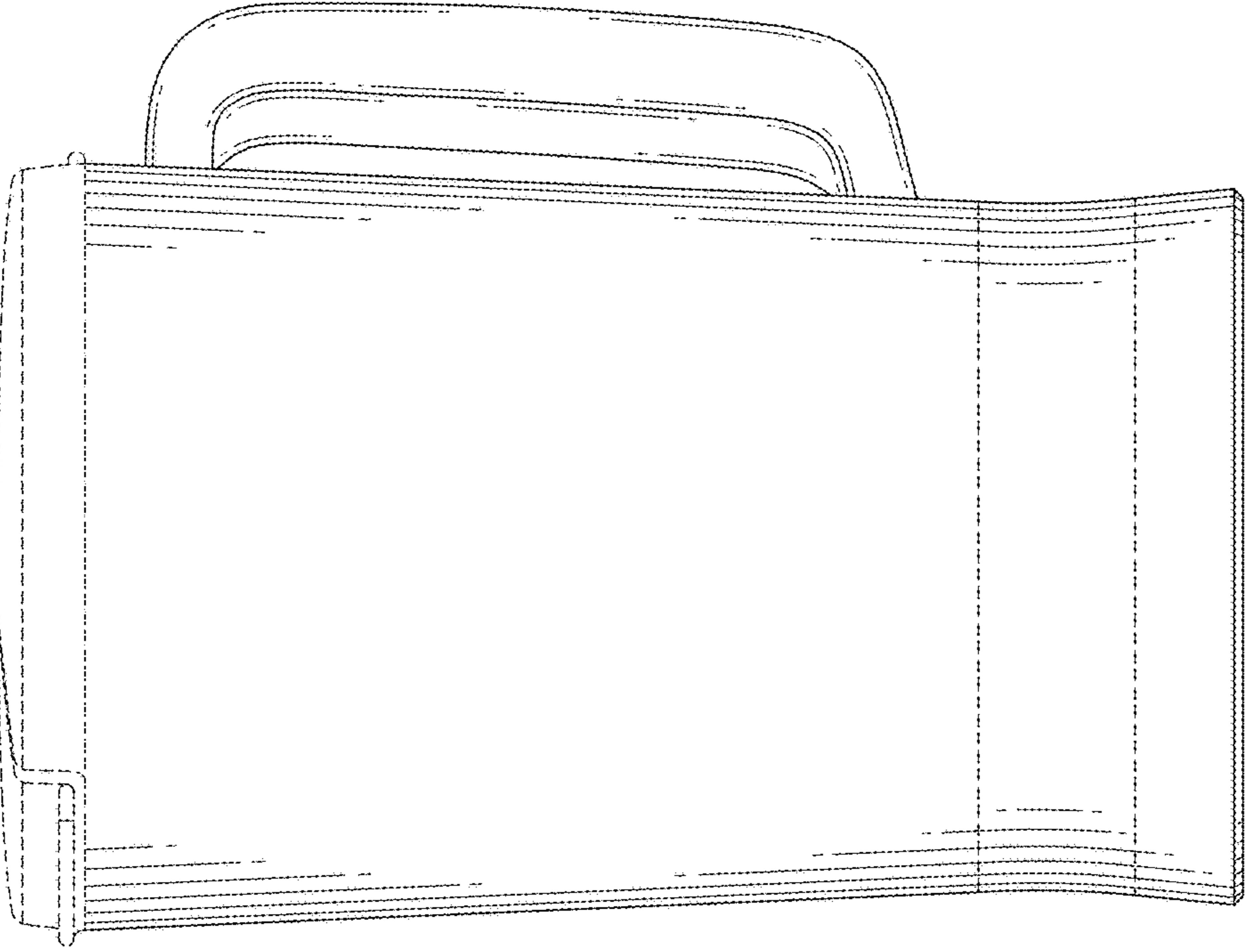


FIG. 5

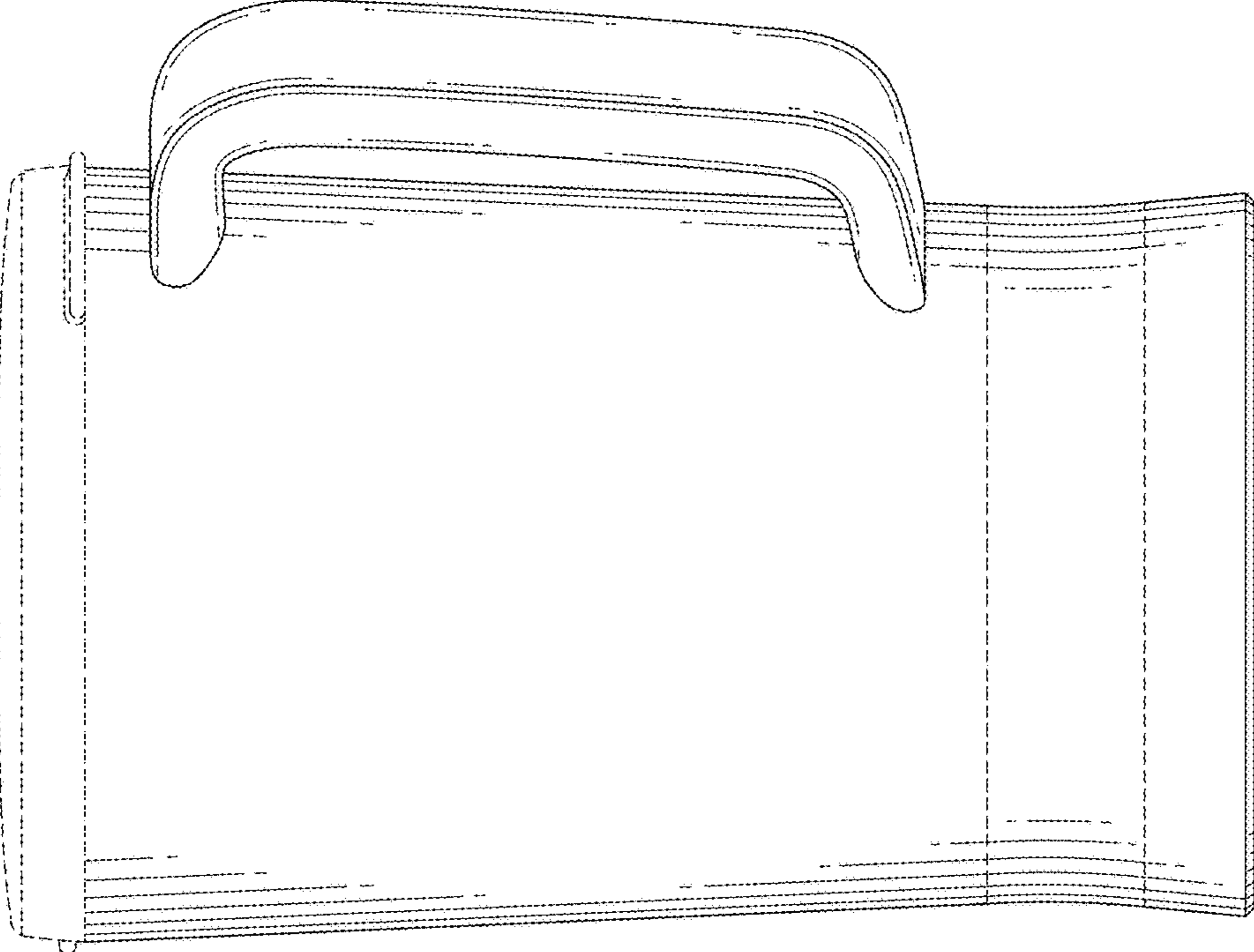


FIG. 4

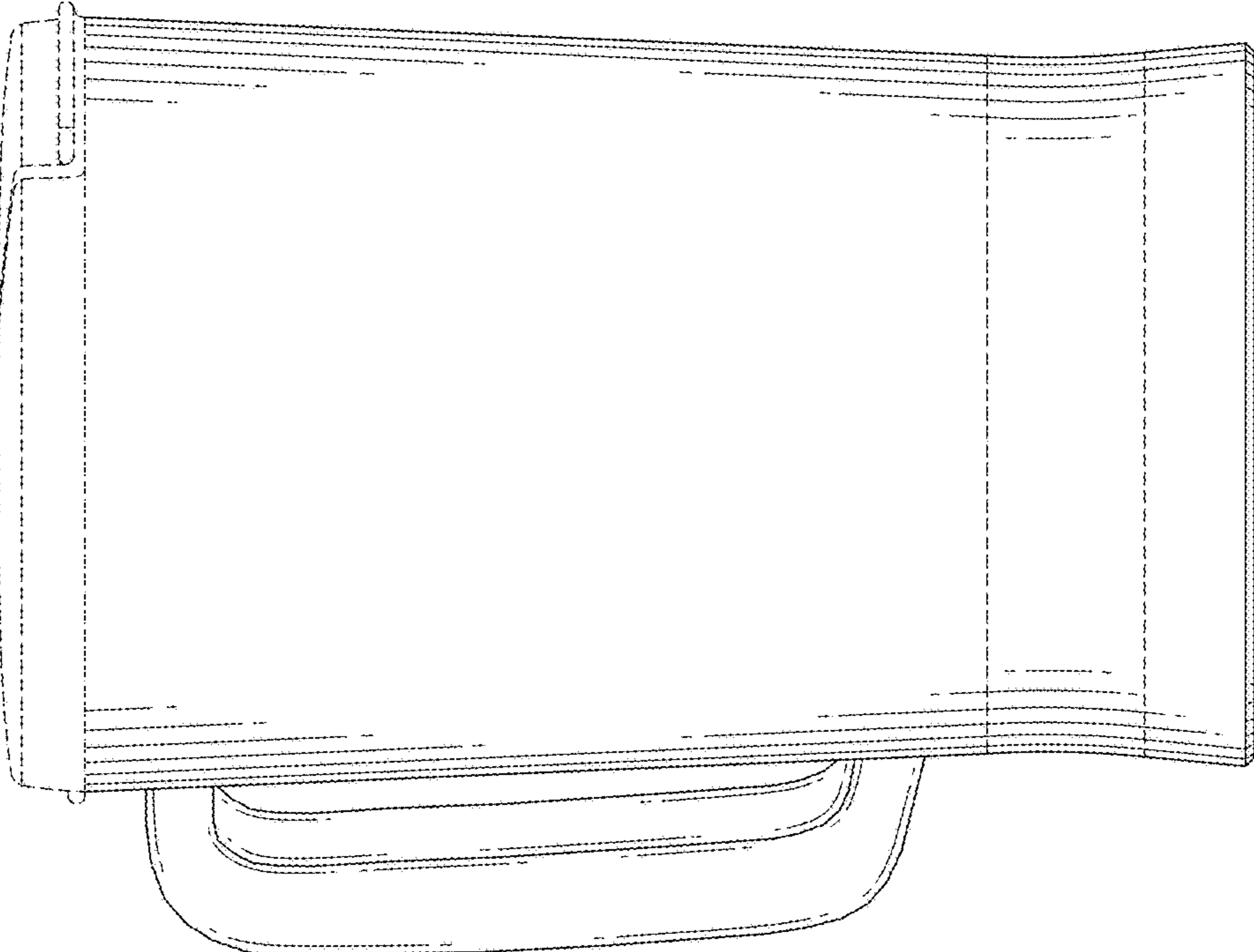


FIG. 6

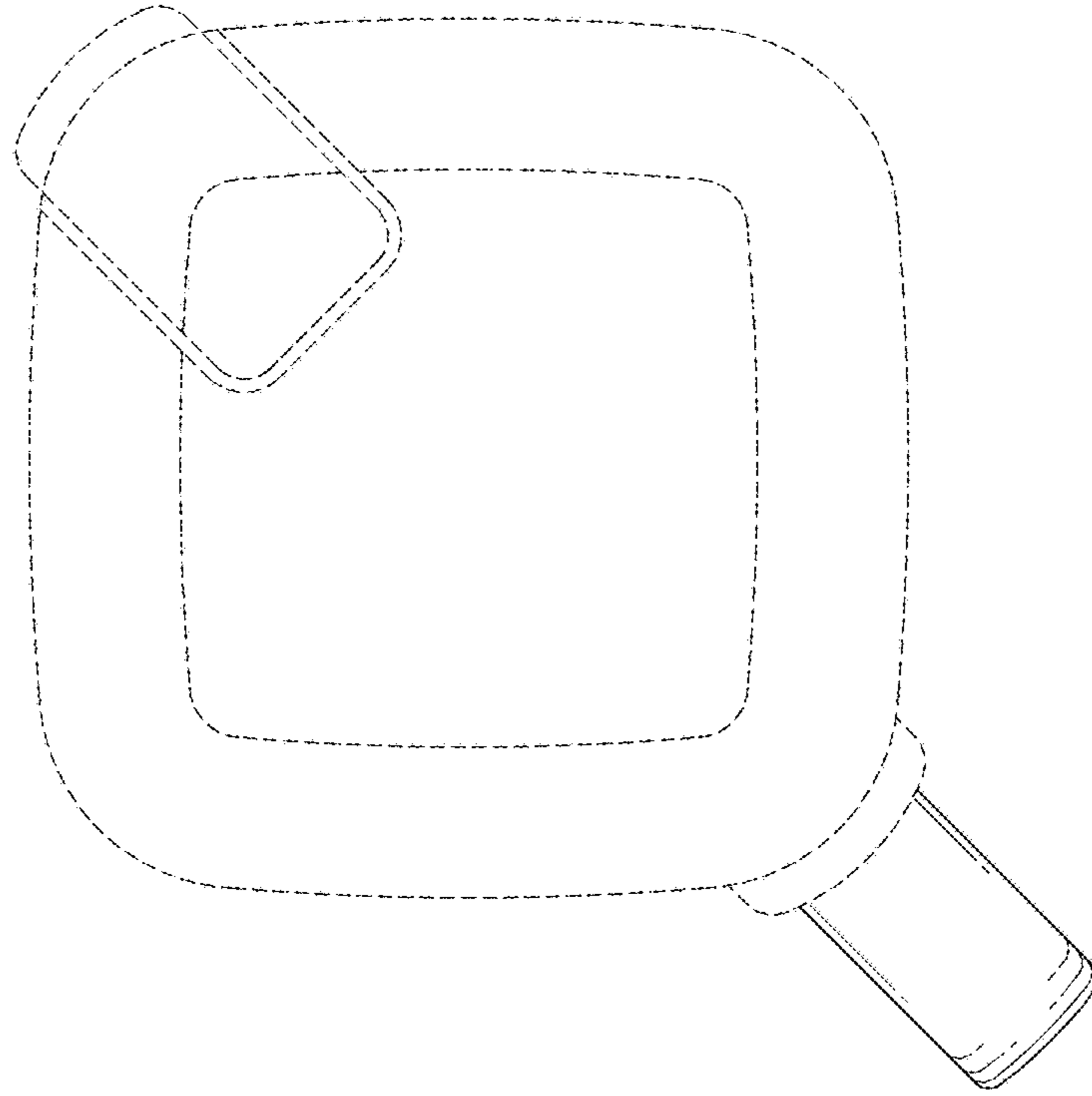


FIG. 7

