



US00D851978S

(12) **United States Design Patent** (10) **Patent No.:** **US D851,978 S**  
**Bell** (45) **Date of Patent:** **\*\* Jun. 25, 2019**

(54) **OVEN**  
(71) Applicant: **Furrion Property Holding Limited,**  
Hong Kong (HK)  
(72) Inventor: **Steven Neill Bell,** Hong Kong (HK)  
(73) Assignee: **Furrion Property Holding Limited,**  
Hong Kong (HK)  
(\*\*) Term: **15 Years**

2,772,414 A 11/1956 Baker, Jr.  
3,180,331 A 4/1965 Jenn et al.  
4,501,260 A 2/1985 Grace  
4,562,827 A 1/1986 Cerola  
4,890,813 A 1/1990 Johnson et al.  
5,062,410 A 11/1991 Sarnosky et al.  
5,115,797 A 5/1992 Hurner  
5,231,734 A 8/1993 Rude  
D378,262 S 3/1997 Sparks  
D393,774 S 4/1998 Ashcraft et al.  
5,771,539 A 6/1998 Wahlstedt et al.

(Continued)

(21) Appl. No.: **29/684,712**  
(22) Filed: **Mar. 22, 2019**

**OTHER PUBLICATIONS**

“2015 Pinnacle” [online], [retrieved Sep. 8, 2017]. Retrieved from the Internet <URL:https://www.google.com/search?safe=active&rls=com.microsoft%3Aen-US%3AIE-Address&biw=913&bih=653&tbm=isch&sa=1&q=rv+stove+glass&oq=rv+stove+glass&gs\_l=psy-ab.3...491717.766060.0.766951.6.6.0.0.0.255.805.0j3j1.4.0...0...1.1.64.psy-ab..2.2.349...0j0i67k1j0i8i30k1j0i24k1.n0kolOw\_41Y#imgcr=BKnmDP5PQ0t2M:&spf=1523295249889>, 1 page.

(Continued)

**Related U.S. Application Data**

(63) Continuation of application No. 29/669,630, filed on Nov. 9, 2018, which is a continuation of application No. 29/625,563, filed on Nov. 10, 2017, now Pat. No. Des. 839,038.

(51) **LOC (11) Cl.** ..... **07-02**

(52) **U.S. Cl.**  
USPC ..... **D7/340;** D7/339; D7/347; D7/348

(58) **Field of Classification Search**  
USPC ..... D7/323, 328–330, 339–349, 390,  
D7/402–406; D8/300–306  
CPC ... A21B 2/00; A47J 37/00; A47J 37/06; A47J  
37/0611; A47J 37/08; A47J 37/0807;  
A47J 37/0814; A47J 37/0835; A47J  
37/0842; A47J 37/085; A47J 37/0864;  
A47J 37/0878; A47J 37/0885; A47J  
37/0892; F24C 7/00; F24C 7/002; F24C  
7/046; F24C 7/067; F24C 15/02; F24C  
15/04; F24C 15/10; F24C 15/102  
See application file for complete search history.

*Primary Examiner* — Ricky Pham

(74) *Attorney, Agent, or Firm* — Faegre Baker Daniels  
LLP

(57) **CLAIM**

The ornamental design for an oven, as shown and described.

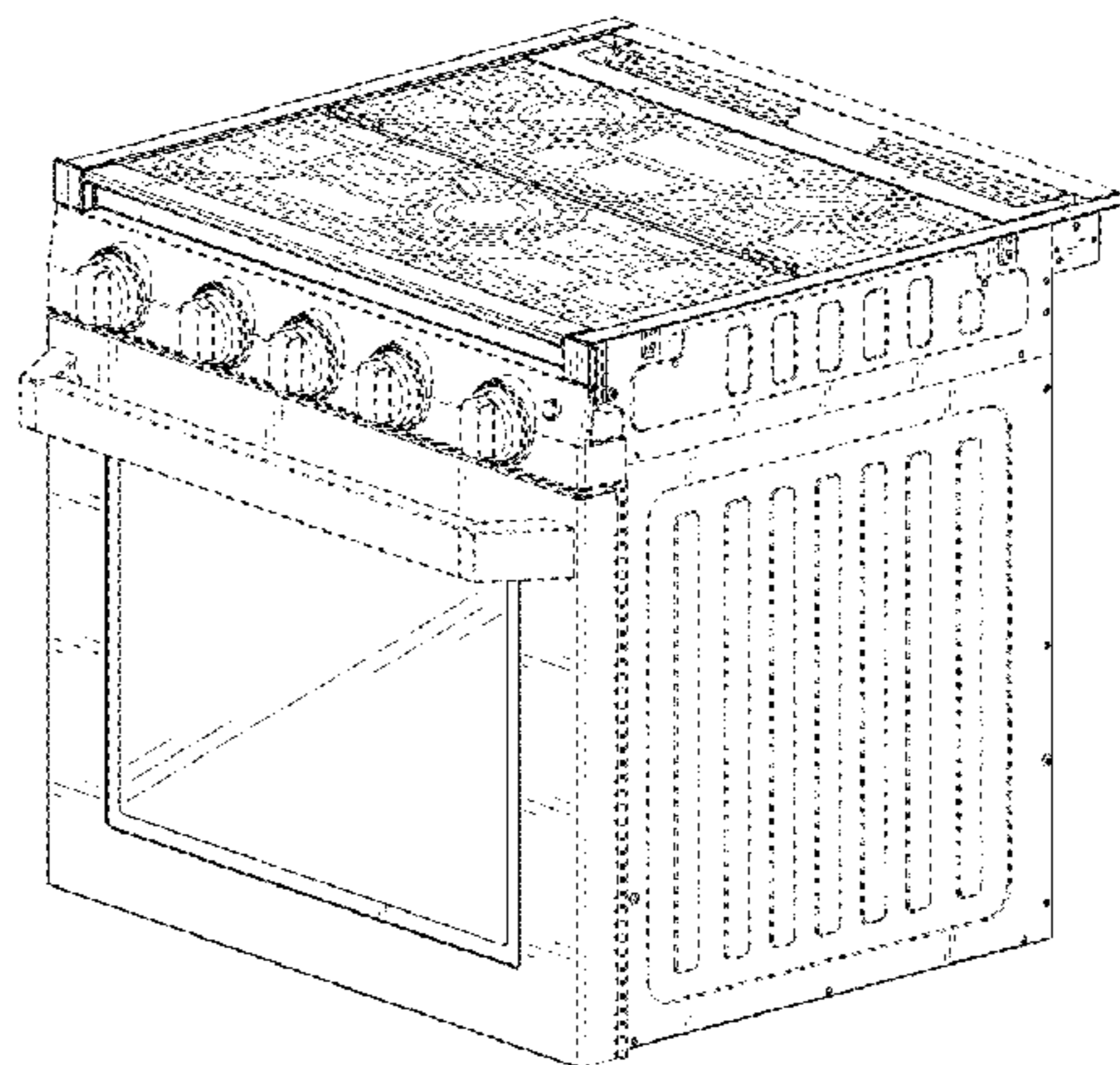
**DESCRIPTION**

FIG. 1 is a front perspective view of an oven illustrating my new design;  
FIG. 2 is a front view thereof;  
FIG. 3 is a rear view thereof;  
FIG. 4 is a left side view thereof;  
FIG. 5 is a right side view thereof;  
FIG. 6 is a top view thereof; and,  
FIG. 7 is a bottom view thereof.  
Broken lines illustrate features that form no part of the claimed design.

(56) **References Cited**  
U.S. PATENT DOCUMENTS

2,556,444 A 6/1951 Reeves  
2,696,812 A 12/1954 Merritt, Jr.  
2,704,063 A 3/1955 Young

**1 Claim, 7 Drawing Sheets**



(56)

References Cited

U.S. PATENT DOCUMENTS

5,894,633 A 4/1999 Kaneko  
 D409,896 S 5/1999 Kaplan  
 5,931,151 A 8/1999 Van Dore et al.  
 D479,781 S 9/2003 Pottenger et al.  
 D495,557 S 9/2004 Shin  
 6,867,962 B2 3/2005 Cho et al.  
 D506,637 S 6/2005 Tanaka  
 D510,226 S 10/2005 Vetter  
 D530,972 S 10/2006 Park  
 D580,225 S 11/2008 Geiger et al.  
 D599,608 S 9/2009 Grumm et al.  
 D605,456 S 12/2009 Bengtson et al.  
 D610,863 S 3/2010 Kim et al.  
 D617,133 S \* 6/2010 Grey ..... D7/340  
 D622,537 S 8/2010 Kim et al.  
 7,836,877 B2 11/2010 Gagas et al.  
 D642,418 S 8/2011 Kim et al.  
 8,118,020 B2 2/2012 Rummel et al.  
 D655,128 S 3/2012 Kim et al.  
 D665,656 S 8/2012 Anzelmo  
 8,272,377 B2 9/2012 Tsakiris  
 D670,969 S 11/2012 Bengtson et al.  
 D682,602 S 5/2013 Funnell, II et al.  
 D685,602 S 7/2013 Lee  
 8,578,924 B2 11/2013 Elkasevic et al.  
 D700,469 S 3/2014 Reay et al.  
 D702,988 S 4/2014 Boo et al.  
 D731,845 S 6/2015 Kim et al.  
 D734,273 S 7/2015 Chompff  
 D736,553 S 8/2015 Funnell, II et al.  
 D755,009 S \* 5/2016 Kim ..... D7/406  
 D755,558 S \* 5/2016 Lee ..... D7/340  
 D763,616 S 8/2016 Kim et al.  
 D765,459 S 9/2016 Shoemaker et al.  
 D773,232 S 12/2016 Shoemaker et al.  
 D781,096 S 3/2017 Kim et al.  
 D781,648 S 3/2017 Shoemaker et al.  
 D785,398 S \* 5/2017 Kim ..... D7/340  
 D786,005 S 5/2017 Kim et al.  
 D786,006 S 5/2017 Chung et al.  
 D786,609 S \* 5/2017 Cho ..... D7/339  
 D787,254 S 5/2017 Cho et al.  
 D787,255 S \* 5/2017 Cho ..... D7/339  
 D787,256 S 5/2017 Cho et al.  
 D789,729 S 6/2017 Lee et al.  
 D793,795 S 8/2017 Suh  
 D808,706 S 1/2018 Kim et al.  
 D808,707 S 1/2018 Kim et al.  
 D811,165 S 2/2018 Sadtler  
 D812,959 S 3/2018 Kim et al.  
 D816,386 S 5/2018 Kim et al.  
 D817,066 S 5/2018 Shoemaker et al.  
 D817,685 S 5/2018 Incukur  
 D829,482 S \* 10/2018 Incukur ..... D7/340  
 D835,932 S \* 12/2018 Incukur ..... D7/340  
 D839,038 S 1/2019 Bell

2013/0019853 A1 1/2013 Kim et al.  
 2017/0328573 A1 11/2017 Wojick et al.  
 2018/0156468 A1 6/2018 Bell

OTHER PUBLICATIONS

“2017 Fleetwood Jamboree RV—Class C Motorhome” [online], [retrieved on Sep. 8, 2017]. Retrieved from the Internet <URL:http://www.fleetwoodrv.com/2017-fleetwood-jamboree>, 11 pages.  
 “Atwood RV-2135 BBP 52232 21 Inch,” RV Parts Country, rvpartscountry.com, UPC Code: 92931522326, Jan. 6, 2014. https://web.archive.org/web/20140106195901/http://www.rvpartscountry.com/Atwood-3-Burner-21inch-Range-wo-Piezo.html.  
 “Camco 43554 Universal Fit RV Stove Top Cover (Black)” [online], [retrieved on Sep. 8, 2017]. Retrieved from the Internet <URL:http://www.ebay.com/itm/Camco-43554-Universal-Fit-RV-Stove-Top-Cover-Black-Black-/112357123356?epid=671816644&hash=item1a2901a51c:g:JAUAA0SwDmBY4cQK&vxp=mtr>, 3 pages.  
 “Conventional Burner Gas Range—Piezo Lite, 17” [online], [first retrieved on Sep. 8, 2017]. Retrieved from the Internet <URL:http://www.campingworld.com/shopping/item/conventional-burner-gas-range-piezo-lite-17484505&utm\_source=google&utm\_medium=cpc&scid=scplp84505&sc\_intid=84505?utm\_campaign=SC\_Shopping\_High&affiliateid=6313&gclid=EA1a1QobChMlu-WO-oKW1gIVCi9pCh0kjQLZEAQYAyABEgL7mvD\_BwE>, 3 pages.  
 “La Germania 3-Gas Burner Manual Oven,” La Germania, cebuappliancecenter.com, Nov. 29, 2014 https://web.archive.org/web/20141129124153/http://www.ceuappliancecenter.com:80/product/la-germania-3-gas-burner-manualoven/lagermania.pdf.  
 “Marine Gas Stove with Three Burner Cooktop,” Fisheries Supply, fisheriessupply.com, Sep. 6, 2016. https://web.archive.org/web/20160906075007/https://www.fisheriessupply.com/force-10-marine-gas-stove-with-three-burner-cooktop-range-gimbale.  
 “Oven,” Design U.S. Appl. No. 29/625,563, filed Nov. 10, 2017 under the applicant Furrion Property Holding Limited, 23 pages.  
 “Stove Top Cover Wooden Counter Mat Travel RV Kitchen Gas Range Burner Serving” [online], [retrieved on Sep. 8, 2017]. Retrieved from the Internet <http://www.ebay.com/itm/Stove-Top-Cover-Wooden-Counter-Mat-Travel-RV-Kitchen-Gas-Range-Burner-Serving-/332042293030?epid=1111828905&hash=item4d4f434f26:g:7pYAAOSwiONYNkbg&vxp=mtr>, 3 pages.  
 “Suburban 3206A Gas Range with Conventional Burners—Black w/Piezo Ignition, 17”,” Amazon, amazon.com, ASIN: B00PXJRYR0, Manufacturer Part No. 3206A, Nov. 21, 2014. https://www.amazon.com/dp/B00PXJRYR0/.  
 “Wedgewood RV/Camper Stove” [online], [retrieved Sep. 8, 2017]. Retrieved from the Internet <URL: https://www.5miles.com/item/YEZ7JEpQ8KAgK8ze/wedgewood-rvcamper-stove-great-shape>, 3 pages.  
 Lowe, Jessica. “How to Baby Proof Your RV” [online], [retrieved on Sep. 8, 2017]. Retrieved from the Internet <URL: http://www.carefreecomunities.com/blog/how-to-baby-proof-your-rv/>, 4 pages.  
 Miele (Feb. 20, 2018). 36 Inch Downdraft Hood Flush Mounting. pp. 1-10.  
 Nordby, Klaus. “My Latest Experiment In Living On Earth: Klaus “Easy Comfy Rider” Nordby hits the rrrrrrrrrrrroad!” [online], [retrieved on Sep. 8, 2017]. Retrieved from the Internet <URL:http://klausnordby.com/ego/rv.html>, 11 pages.

\* cited by examiner

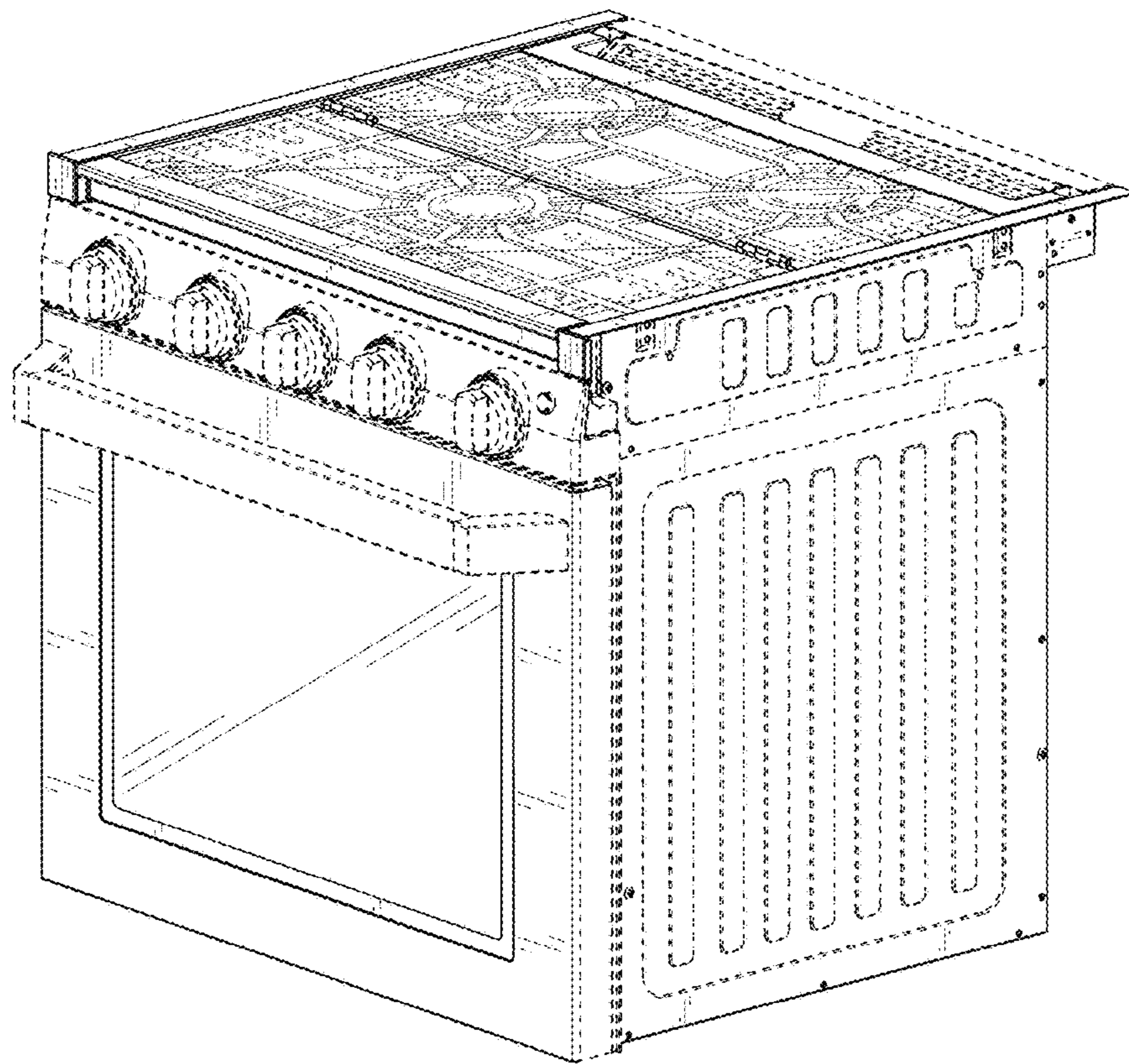


FIG. 1

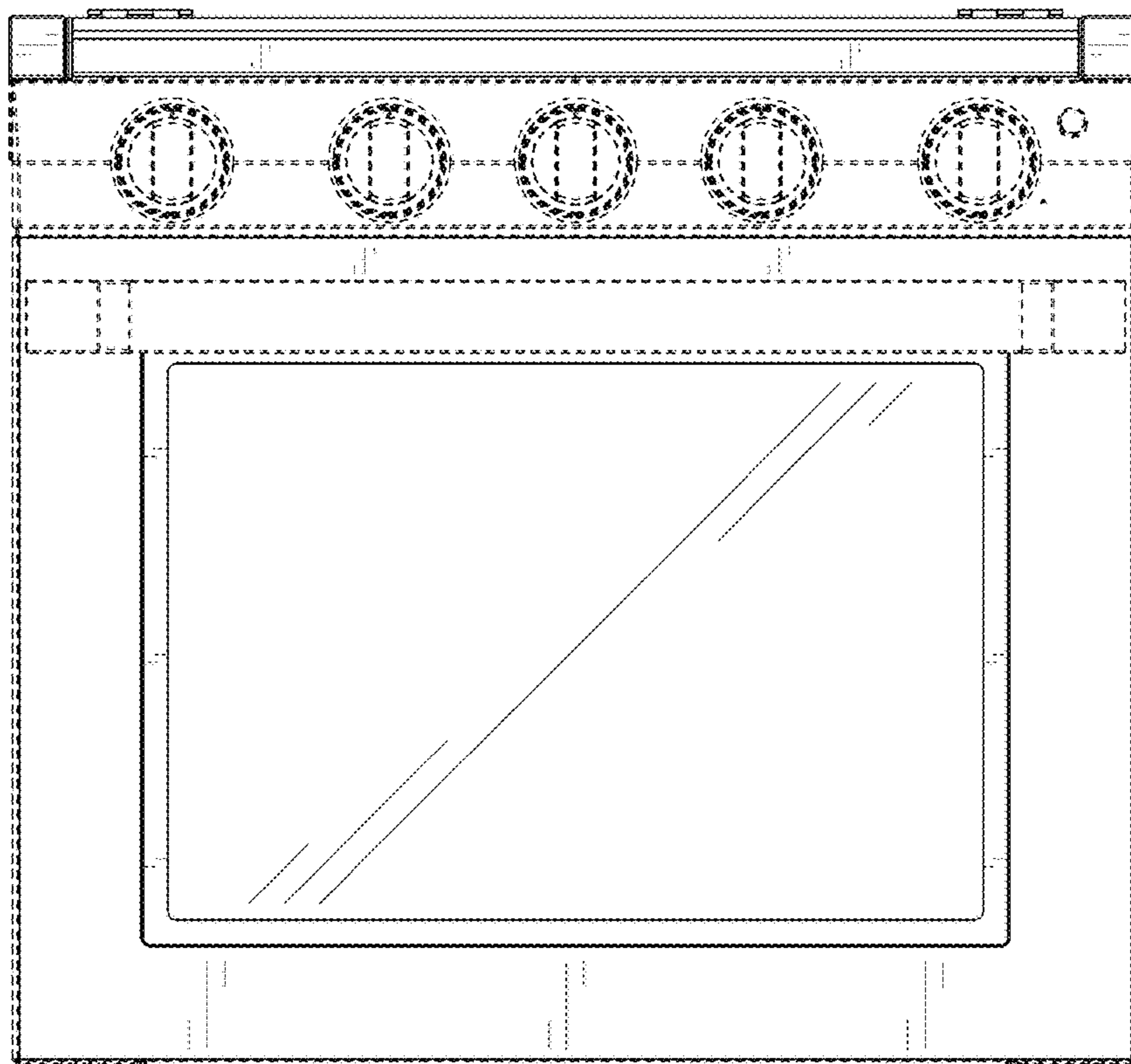


FIG. 2

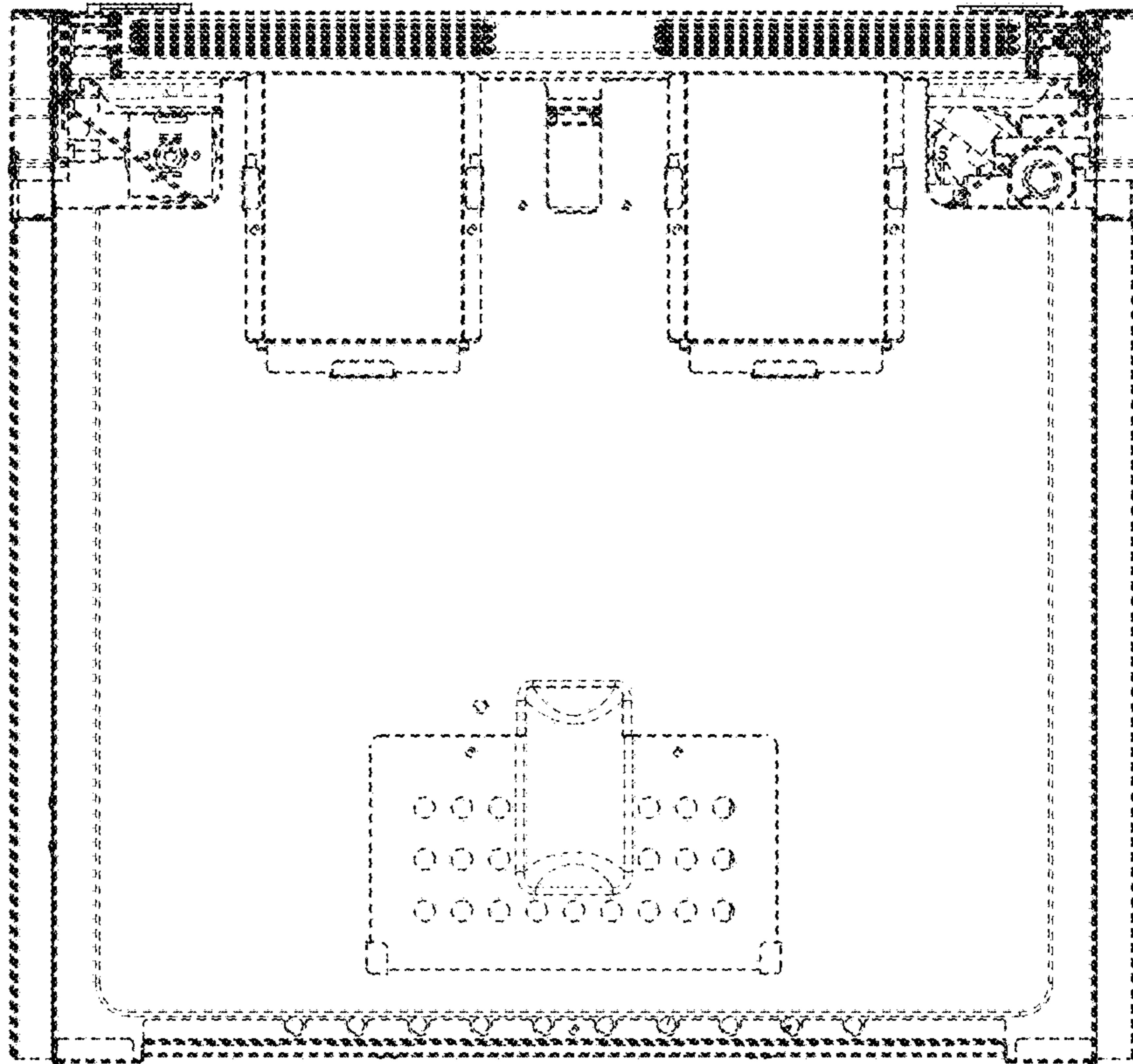


FIG. 3

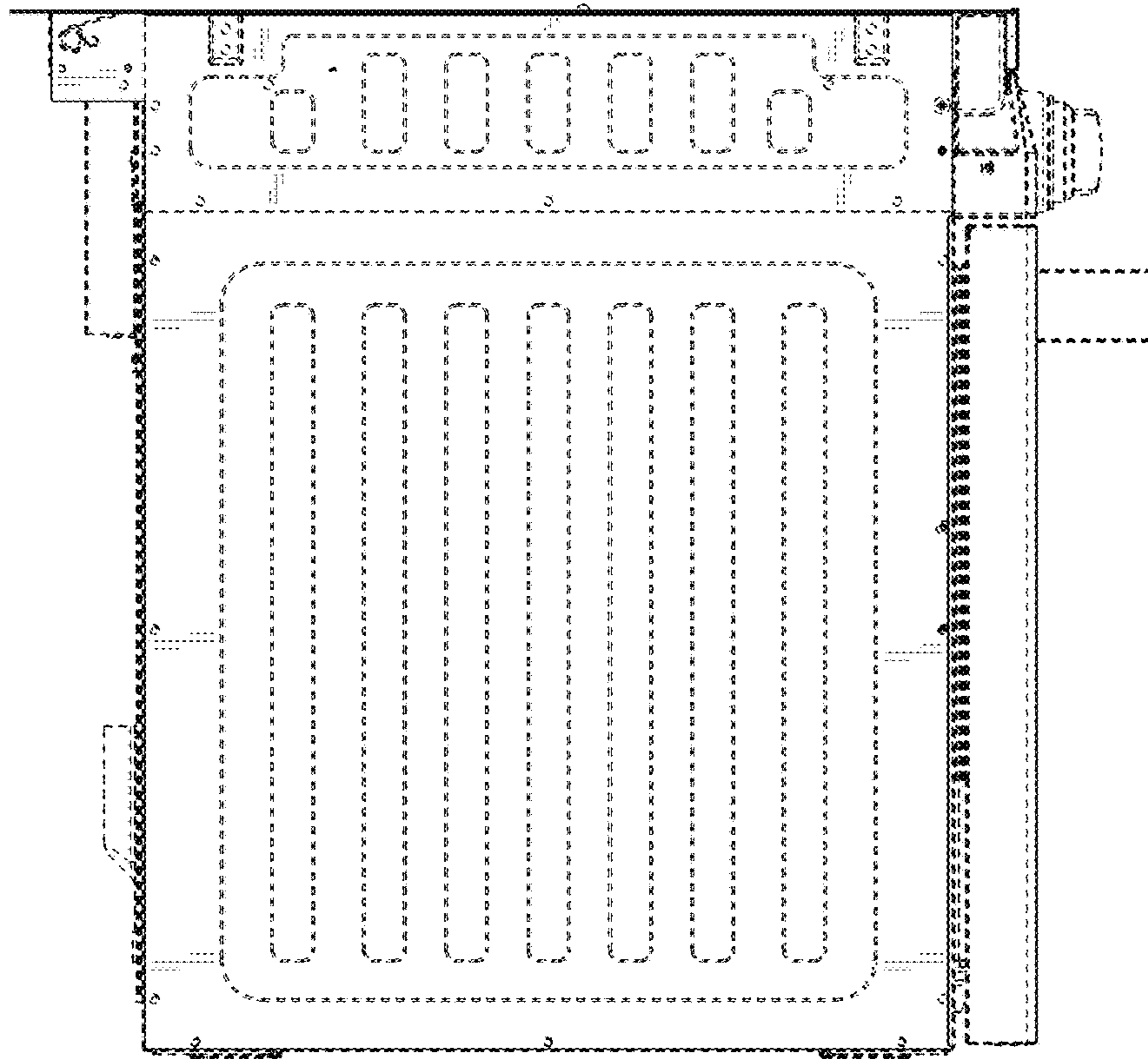


FIG. 4

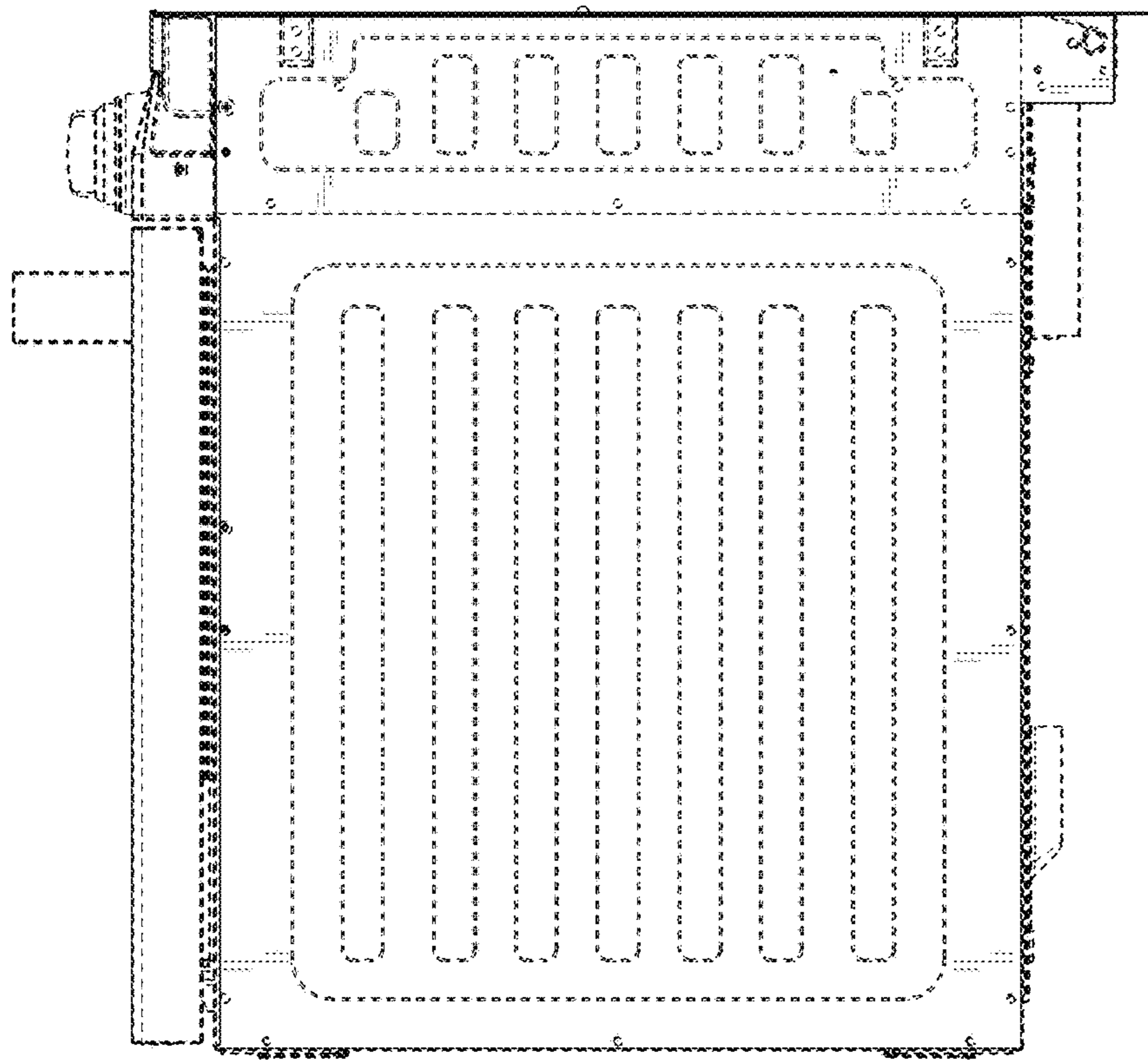


FIG. 5

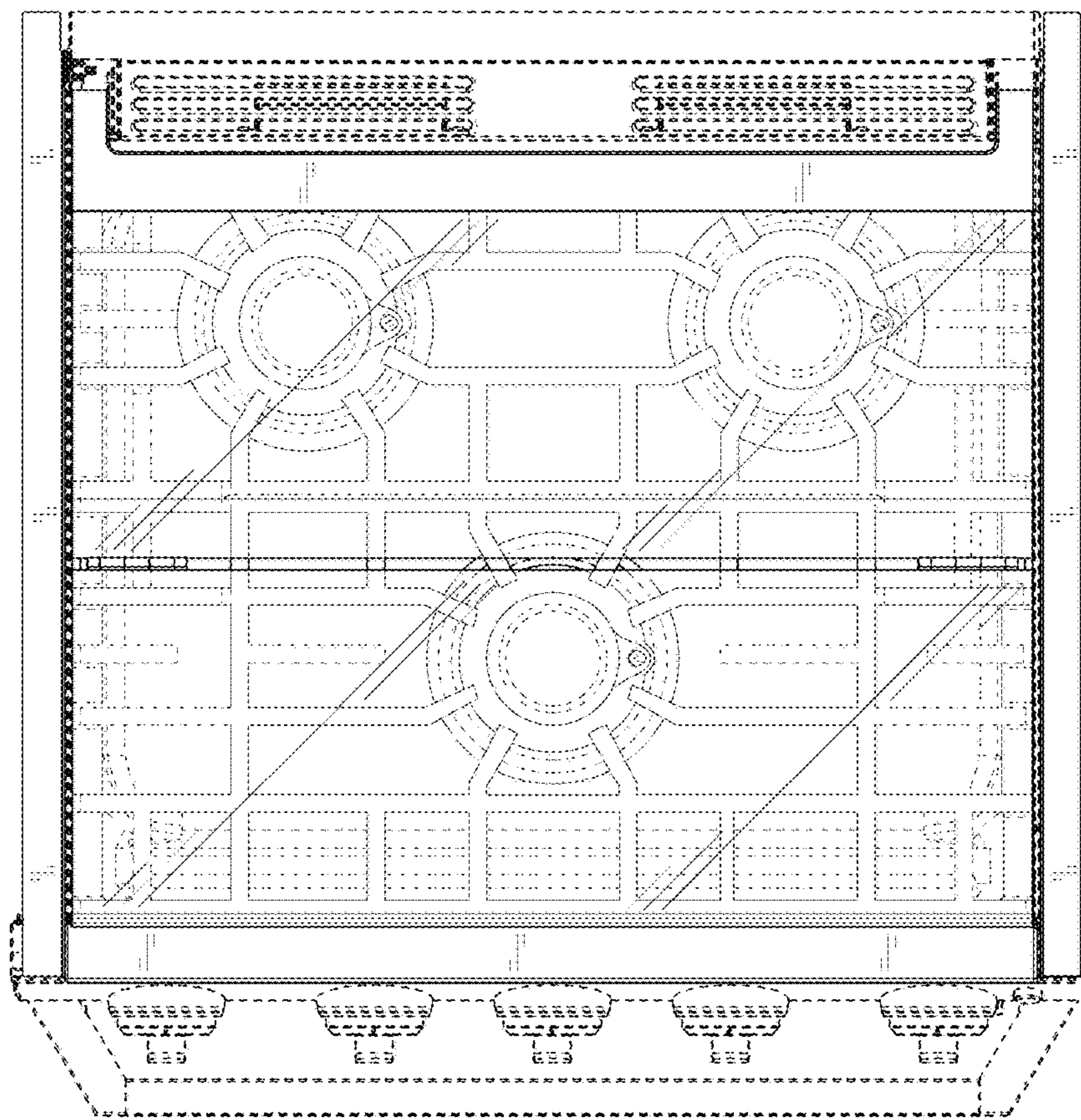


FIG. 6



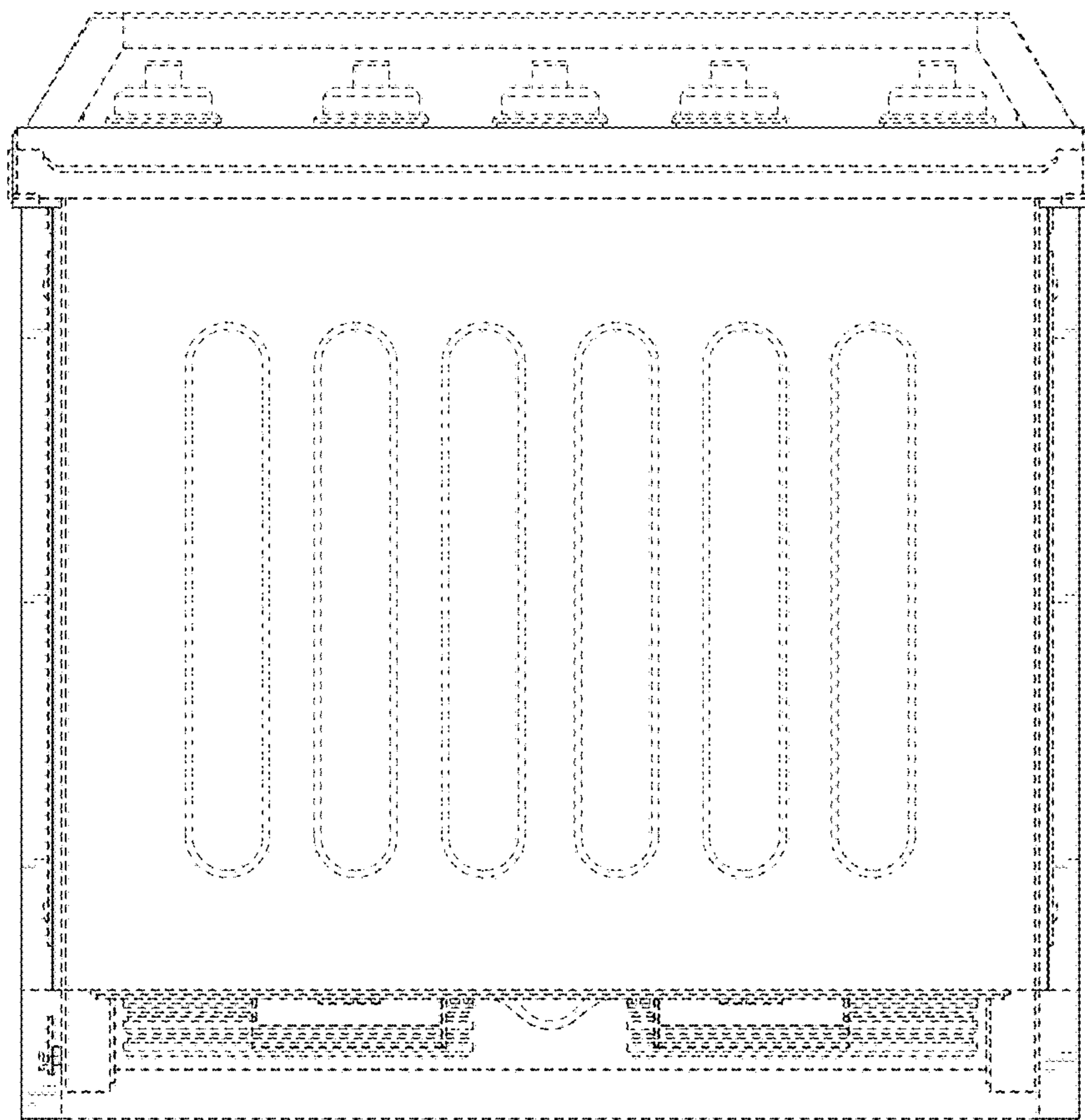


FIG. 7