



US00D851976S

(12) **United States Design Patent** (10) **Patent No.:** **US D851,976 S**
Yates (45) **Date of Patent:** **** Jun. 25, 2019**

(54) **BEDSTEAD**
(71) Applicant: **A.R.T. Furniture, Inc.**, Ontario, CA
(US)
(72) Inventor: **Daniel Eric Yates**, High Point, NC
(US)
(73) Assignee: **A.R.T. Furniture, Inc.**, Ontario, CA
(US)

D516,844 S 3/2006 Mohundro
D517,831 S 3/2006 Domack
D527,925 S * 9/2006 Domack D6/393
D535,135 S 1/2007 Schmitt
D568,076 S 5/2008 Schmitt
D647,322 S * 10/2011 Domack D6/393
D648,952 S * 11/2011 Domack D6/393
D658,401 S * 5/2012 Hoff D6/393
D718,070 S * 11/2014 Everson D6/393
D721,530 S * 1/2015 Hoff D6/393

(**) Term: **15 Years**
(21) Appl. No.: **29/624,943**
(22) Filed: **Nov. 6, 2017**

Related U.S. Application Data

(63) Continuation of application No. 29/561,071, filed on
Apr. 13, 2016, now Pat. No. Des. 801,743.
(51) **LOC (11) Cl.** **06-06**
(52) **U.S. Cl.**
USPC **D6/718.22; D6/393**
(58) **Field of Classification Search**
USPC D6/382-386, 389, 393-395, 718.2,
D6/718.24, 718.22, 718.13
CPC A47C 17/00; A47C 19/00; A47C 19/02;
A47C 19/022
See application file for complete search history.

References Cited

U.S. PATENT DOCUMENTS

D63,775 S 1/1924 Cameron
D405,974 S * 2/1999 Estape D6/388
D460,288 S 7/2002 Vaaler
D469,285 S 1/2003 Stanton
D474,918 S 5/2003 Tobin
D475,224 S 6/2003 Paus
D500,219 S * 12/2004 Russell D6/718.2
D509,977 S * 9/2005 Mohundro D6/718.22
D514,351 S * 2/2006 Berry D6/393

OTHER PUBLICATIONS

A.R.T. Furniture, Copper Ridge Catalog, Headboard, 1 pg, Known
at least as early as Dec. 17, 2014.
A.R.T. Furniture, Optum Catalog, Headboard, 1 pg, Known at least
as early as Dec. 17, 2014.
A.R.T. Furniture, Warwick Catalog, Headboard, 2 pgs, Known at
least as early as Dec. 17, 2014.

* cited by examiner

Primary Examiner — Cathron C Brooks

(74) *Attorney, Agent, or Firm* — Womble Bond Dickinson
(US) LLP

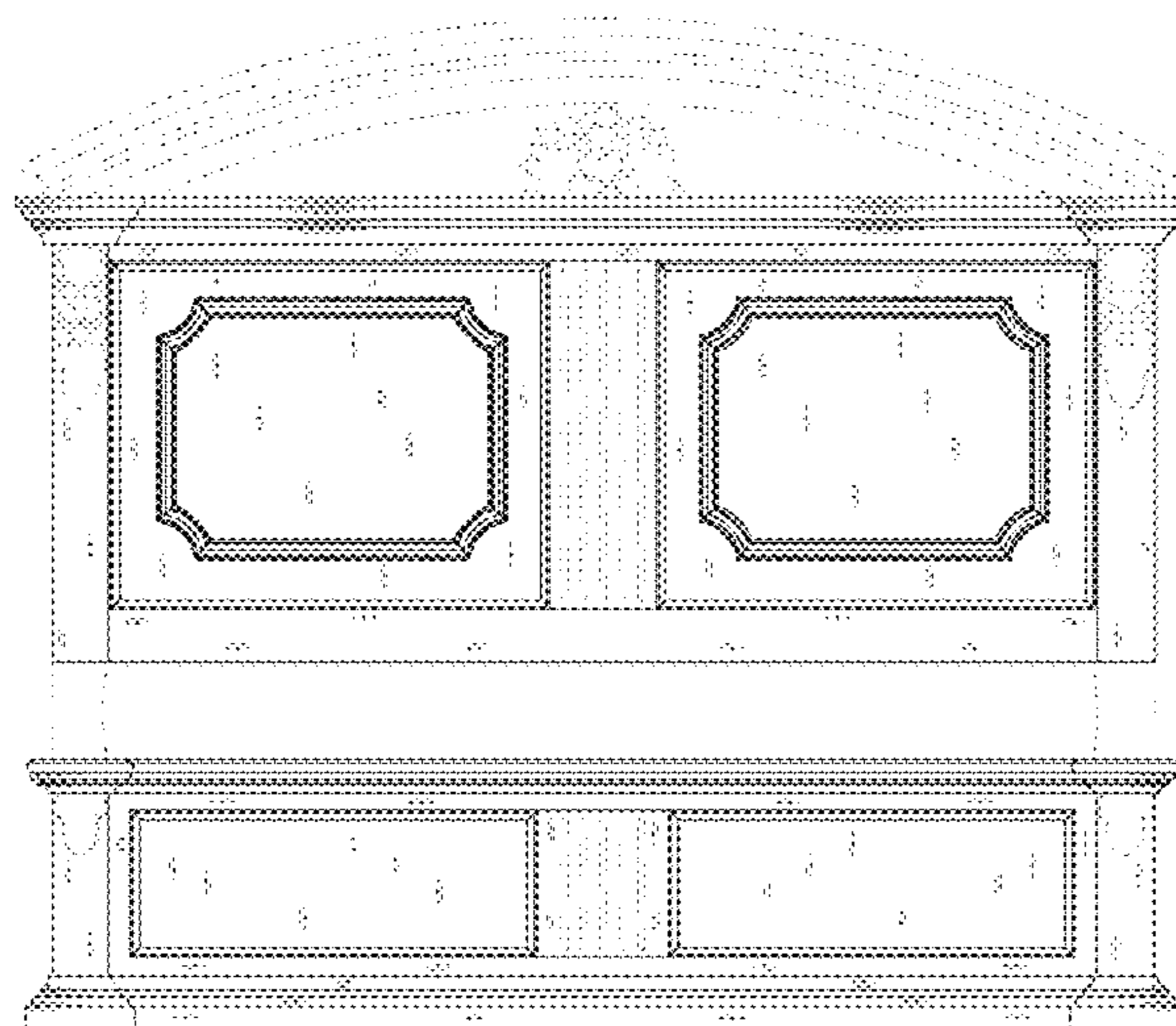
(57) **CLAIM**

I claim the ornamental design for a bedstead, as shown and
described.

DESCRIPTION

FIG. 1 is a front elevation view of a bedstead with my new
design;
FIG. 2 is a left side view thereof, the right side view being
a mirror image thereof;
FIG. 3 is a perspective view thereof;
FIG. 4 is a front elevation view thereof; and,
FIG. 5 is a partial perspective view of a portion thereof.
The dash-dash broken lines in the drawings illustrate por-
tions of the bedstead. None of the broken lines form part of
the claimed design.

1 Claim, 5 Drawing Sheets



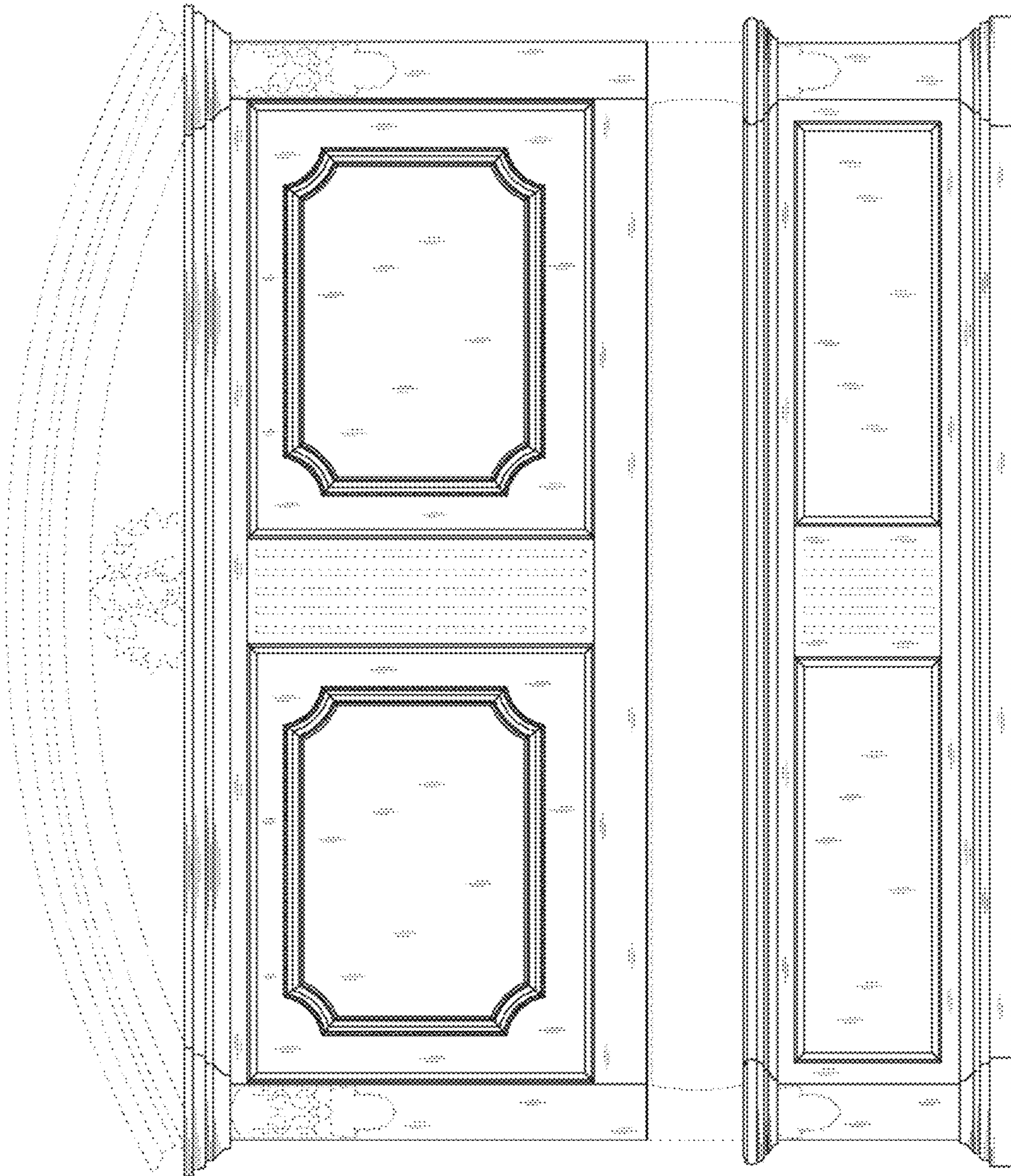


FIGURE 1

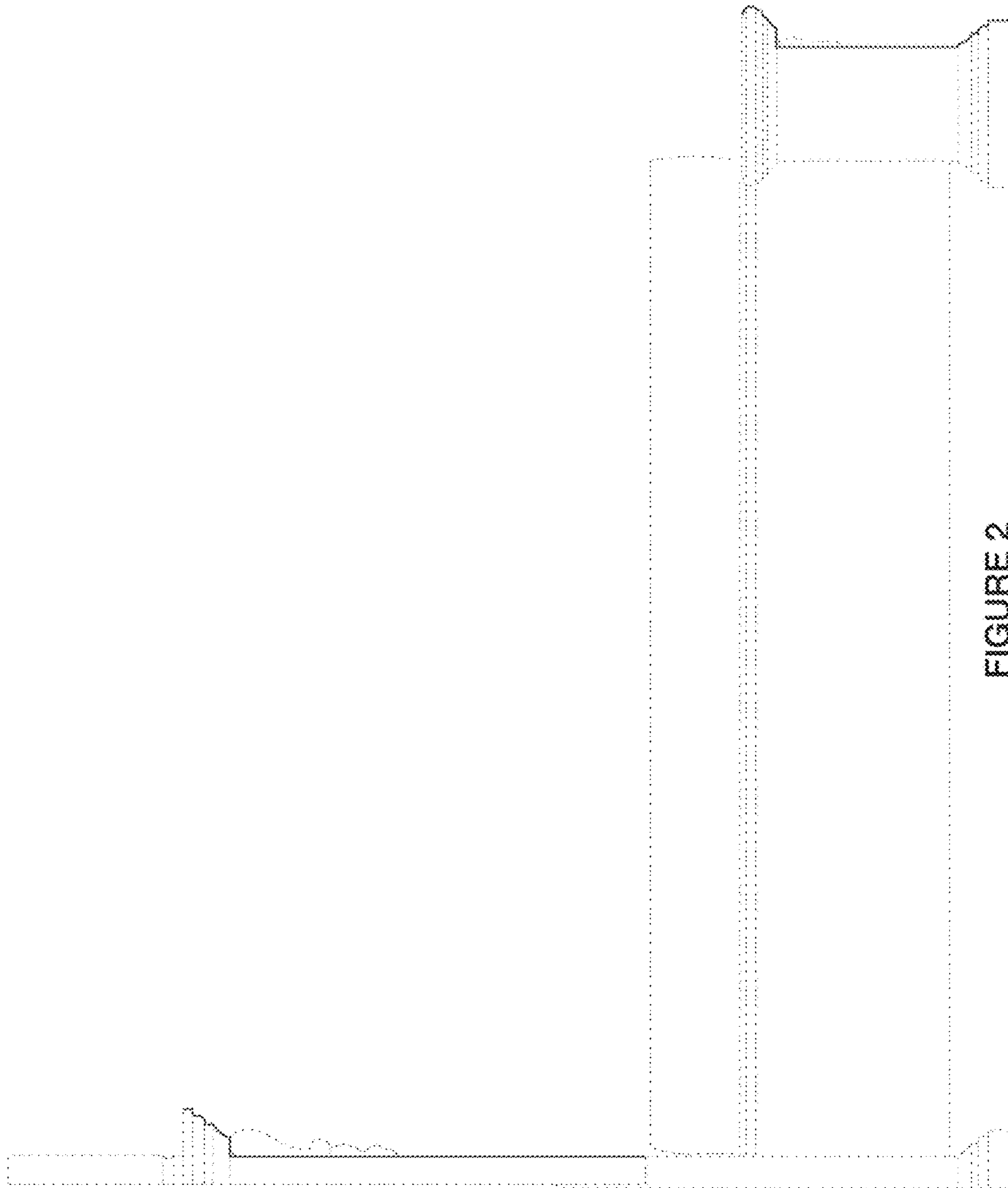


FIGURE 2

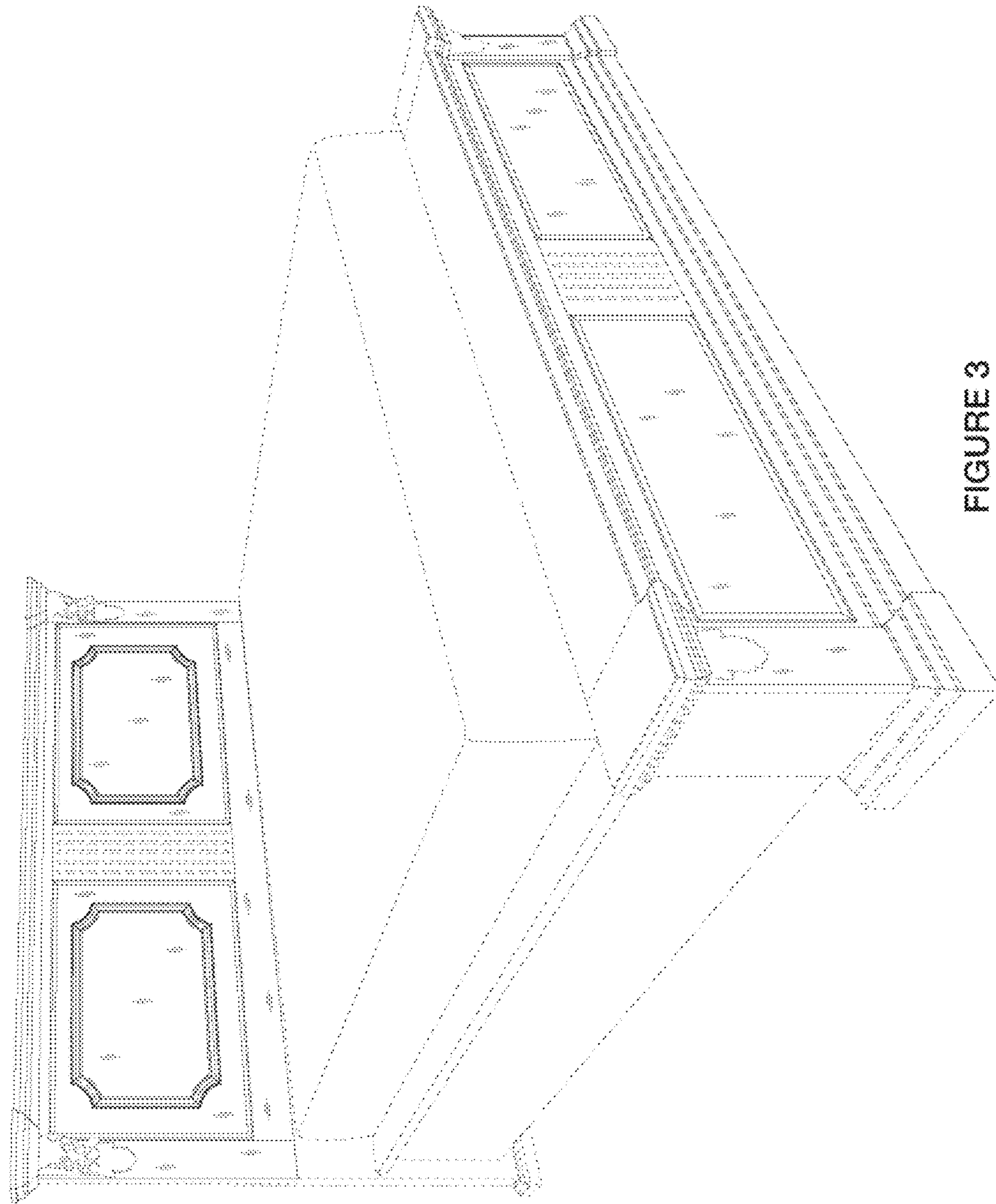


FIGURE 3

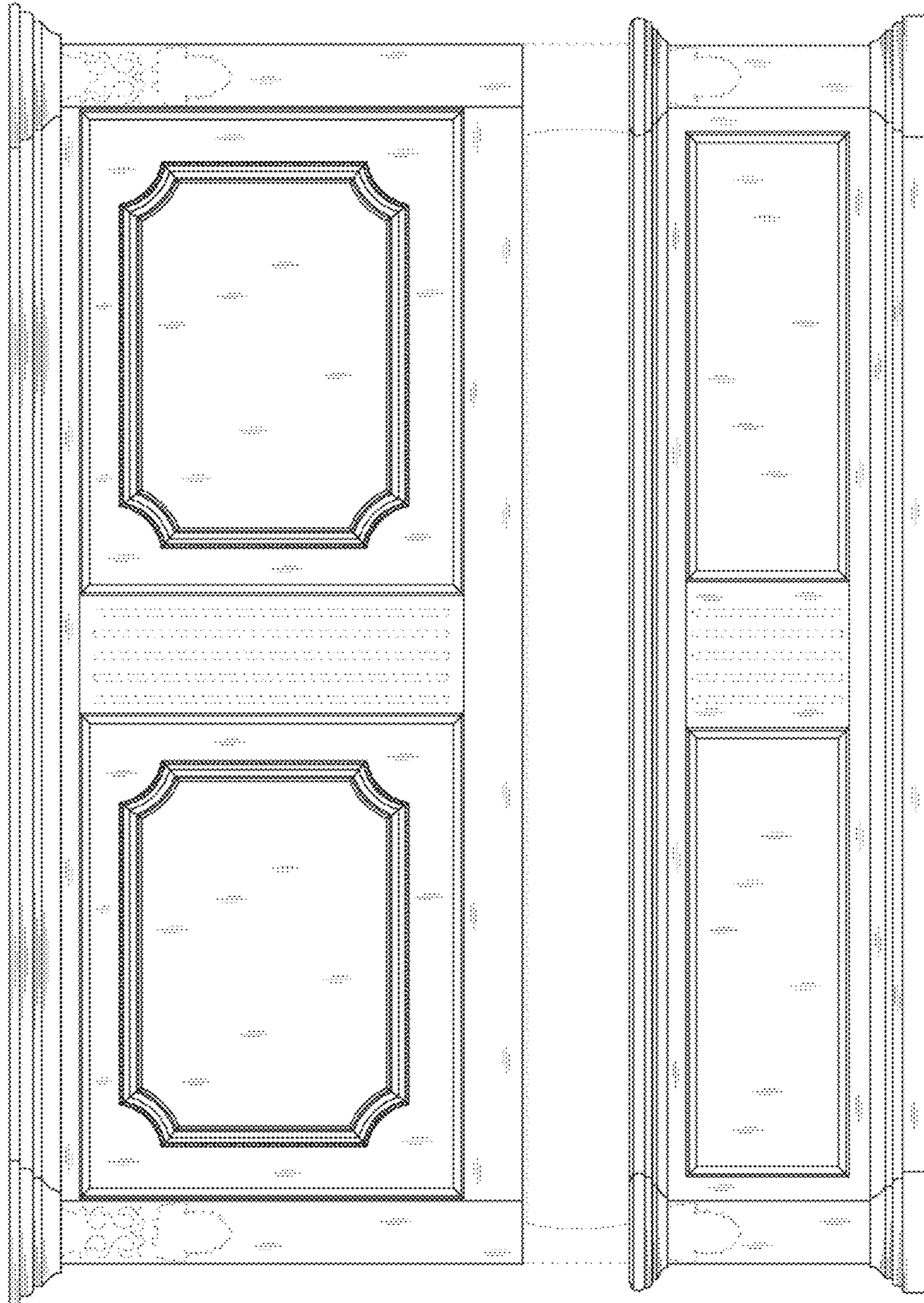


FIGURE 4

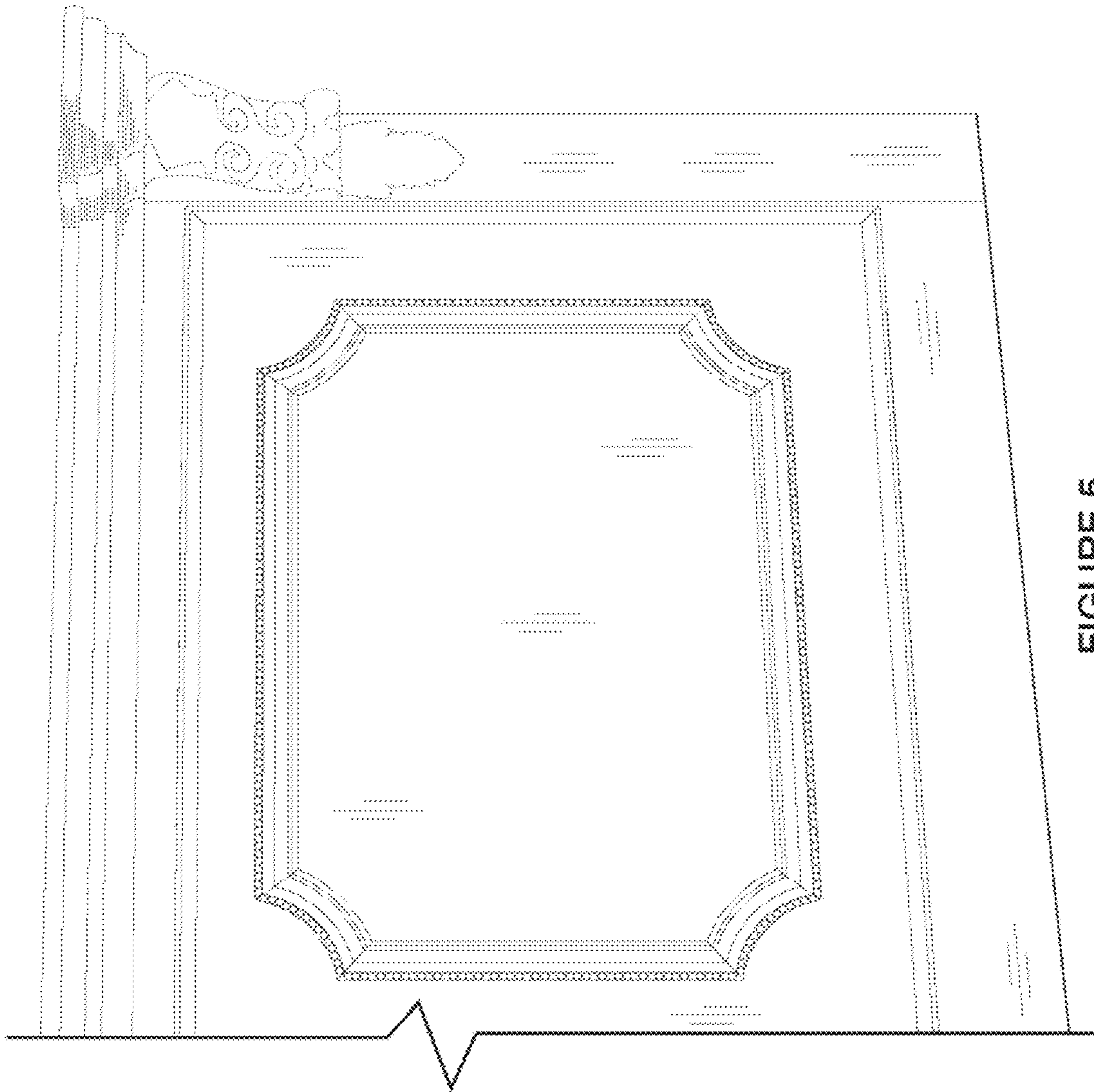


FIGURE 5