



US00D851975S

(12) **United States Design Patent**
Caforio

(10) **Patent No.:** **US D851,975 S**
(45) **Date of Patent:** **** Jun. 25, 2019**

(54) **POSTURAL SYSTEM**

(71) Applicant: **PRO MEDICARE S.R.L.**, Mesagne
(BR) (IT)

(72) Inventor: **Rosaria Eugenia Caforio**, Mesagne
(IT)

(73) Assignee: **PRO MEDICARE S.R.L.**, Mesagne
(BR) (IT)

(**) Term: **15 Years**

(21) Appl. No.: **29/593,309**

(22) Filed: **Feb. 8, 2017**

Related U.S. Application Data

(62) Division of application No. 29/571,709, filed on Jul. 21, 2016, now Pat. No. Des. 782,237, which is a division of application No. 29/536,230, filed on Aug. 14, 2015, now Pat. No. Des. 766,025, which is a division of application No. 29/498,774, filed on Aug. 7, 2014, now Pat. No. Des. 738,660, which is a division of application No. 29/483,373, filed on Feb. 27, 2014, now Pat. No. Des. 713,665, which is a division of application No. 29/468,158, filed on Sep. 26, 2013, now Pat. No. Des. 702,980, which is a division of application No. 29/451,830, filed on Apr. 9, 2013, now Pat. No. Des. 693,164, which is a division of application No. 29/433,797, filed on Oct. 4, 2012, now Pat. No. Des. 680,778, which is a division of application No. 29/379,909, filed on Nov. 26, 2010, now Pat. No. Des. 670,109.

(30) **Foreign Application Priority Data**

May 26, 2010 (EM) 001712142

(51) **LOC (11) Cl.** **06-01**

(52) **U.S. Cl.**
USPC **D6/716.1**

(58) **Field of Classification Search**
USPC D6/354, 368, 595-604, 716, 716.1

CPC A47G 9/10; A47G 9/1009; A47G 9/1018;
A47G 9/1027; A47G 9/1036; A47G
9/1045; A47G 9/1063; A47G 9/1072;
A47G 9/1081; A47G 9/109; A47C 7/021;
A47C 7/022; A47C 7/024; A47C 7/029;
A47C 7/14; A47C 27/00; A47C 27/086;
A47C 27/146; A61G 5/1043; B60N
2/643; B62J 1/26

See application file for complete search history.

(56) **References Cited**

U.S. PATENT DOCUMENTS

5,018,790 A * 5/1991 Jay A47C 7/021
297/452.26
D327,389 S * 6/1992 Flores D6/601
5,833,319 A * 11/1998 Davis A47C 7/029
297/452.21
6,625,830 B2 * 9/2003 Lampel A47C 27/146
297/452.26
7,918,510 B2 * 4/2011 van den Nieuwboer
A61G 5/1043
297/440.14

(Continued)

Primary Examiner — Ricky Pham

(74) *Attorney, Agent, or Firm* — Sughrue Mion, PLLC

(57) **CLAIM**

The ornamental design for a postural system, as shown and described.

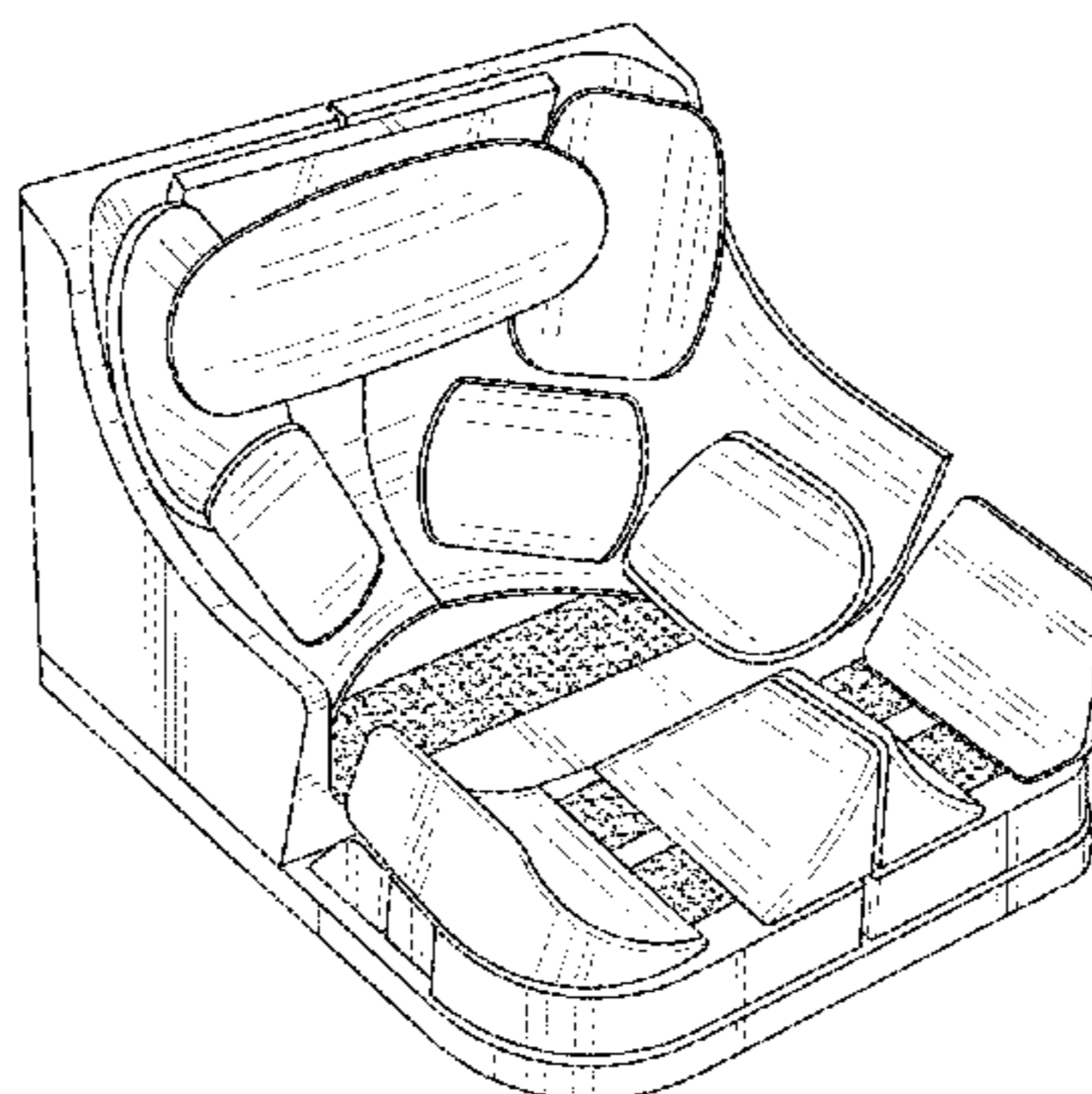
DESCRIPTION

FIG. 1 is a perspective view of a postural system showing my new design, shown without the padding system for ease of illustration;

FIG. 2 is an exploded view of the postural system of FIG. 1; and,

FIG. 3 is a perspective view of the postural system of FIG. 1, shown with a padding system.

1 Claim, 3 Drawing Sheets



(56)

References Cited

U.S. PATENT DOCUMENTS

D650,214 S *	12/2011	Klotz	A61G 5/1043 D6/601
D747,613 S *	1/2016	Scarlett	A47C 27/146 D6/601
D766,025 S *	9/2016	Caforio	A47C 7/029 D6/716.1
D782,237 S *	3/2017	Caforio	D6/716.1
2001/0013146 A1 *	8/2001	Wempe	A47C 27/086 5/654
2005/0022306 A1 *	2/2005	Hetzel	A61G 5/1043 5/654
2008/0163428 A1 *	7/2008	Groteke	A47G 9/10 5/638
2009/0139031 A1 *	6/2009	Davis	A47G 9/10 5/639

* cited by examiner

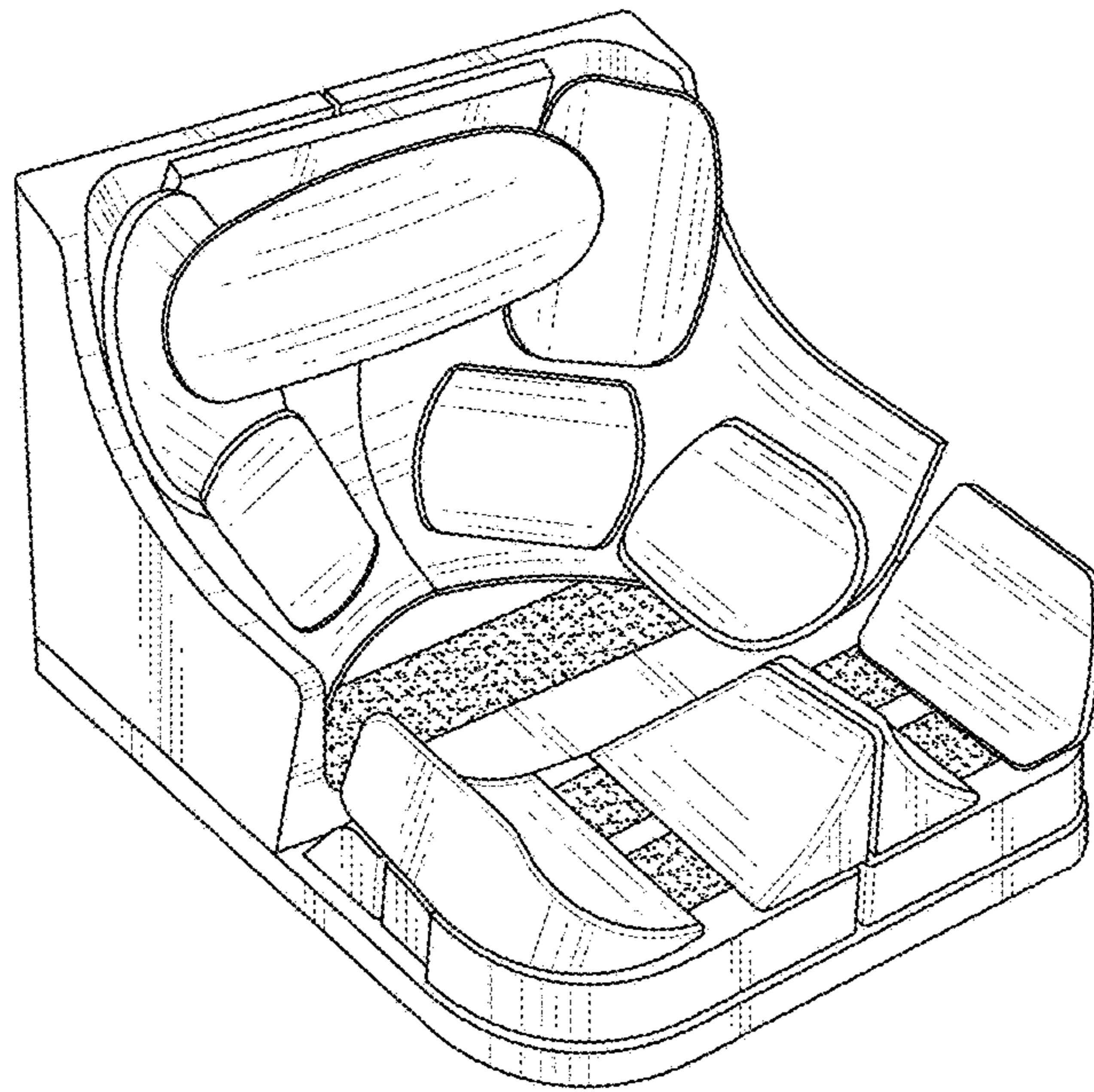


FIG. 1

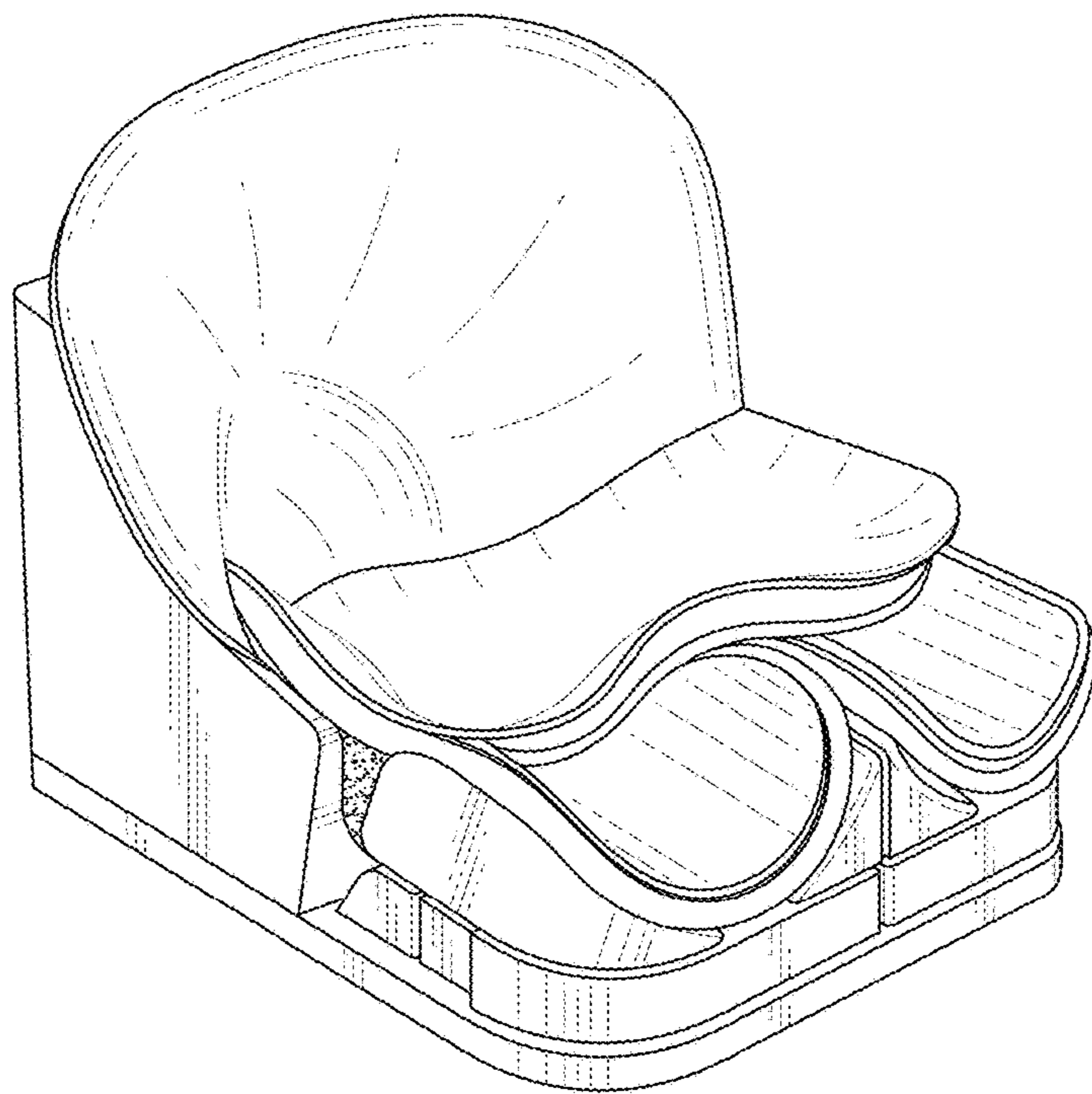


FIG. 3