



US00D851974S

(12) **United States Design Patent**  
**Shen**

(10) **Patent No.:** **US D851,974 S**  
(45) **Date of Patent:** **\*\* Jun. 25, 2019**

(54) **OFFICE CHAIR**

(71) Applicant: **Yinuo Shen**, Cixi (CN)

(72) Inventor: **Yinuo Shen**, Cixi (CN)

(\*\*) Term: **15 Years**

(21) Appl. No.: **29/678,779**

(22) Filed: **Jan. 31, 2019**

**Related U.S. Application Data**

(63) Continuation-in-part of application No. 29/656,310, filed on Jul. 11, 2018.

(51) **LOC (11) Cl.** ..... **06-01**

(52) **U.S. Cl.**

USPC ..... **D6/716; D6/366**

(58) **Field of Classification Search**

USPC ..... D6/334-336, 356, 364, 365, 366, 367,  
D6/374, 375, 379, 380, 716, 716.1, 716.3,  
D6/716.4

CPC ..... A47C 4/028; A47C 7/022; A47C 7/18;  
A47C 7/38; A47C 7/40; B60N 2/02;  
B60N 2/22; B60N 2/58

See application file for complete search history.

(56) **References Cited**

**U.S. PATENT DOCUMENTS**

D396,152 S \* 7/1998 Beermann ..... D6/356  
D509,077 S \* 9/2005 Beermann ..... D6/356

D532,211 S 11/2006 Su  
D542,547 S 5/2007 Su  
D549,475 S 8/2007 Su  
D807,072 S \* 1/2018 Mao ..... D6/366  
D809,313 S 2/2018 Mao et al.  
D811,145 S \* 2/2018 Li ..... D6/716

\* cited by examiner

*Primary Examiner* — Mimososa De

(57) **CLAIM**

The ornamental design for an office chair, as shown and described.

**DESCRIPTION**

FIG. 1 is a perspective view of an office chair showing my new design;  
FIG. 2 is another perspective view thereof;  
FIG. 3 is a front elevational view thereof;  
FIG. 4 is a rear elevational view thereof;  
FIG. 5 is a left side elevational view thereof;  
FIG. 6 is a right side elevational view thereof;  
FIG. 7 is a top plan view thereof; and,  
FIG. 8 is a bottom plan view thereof.

The broken lines in the drawings illustrate portions of the office chair that form no part of the claimed design.

**1 Claim, 8 Drawing Sheets**

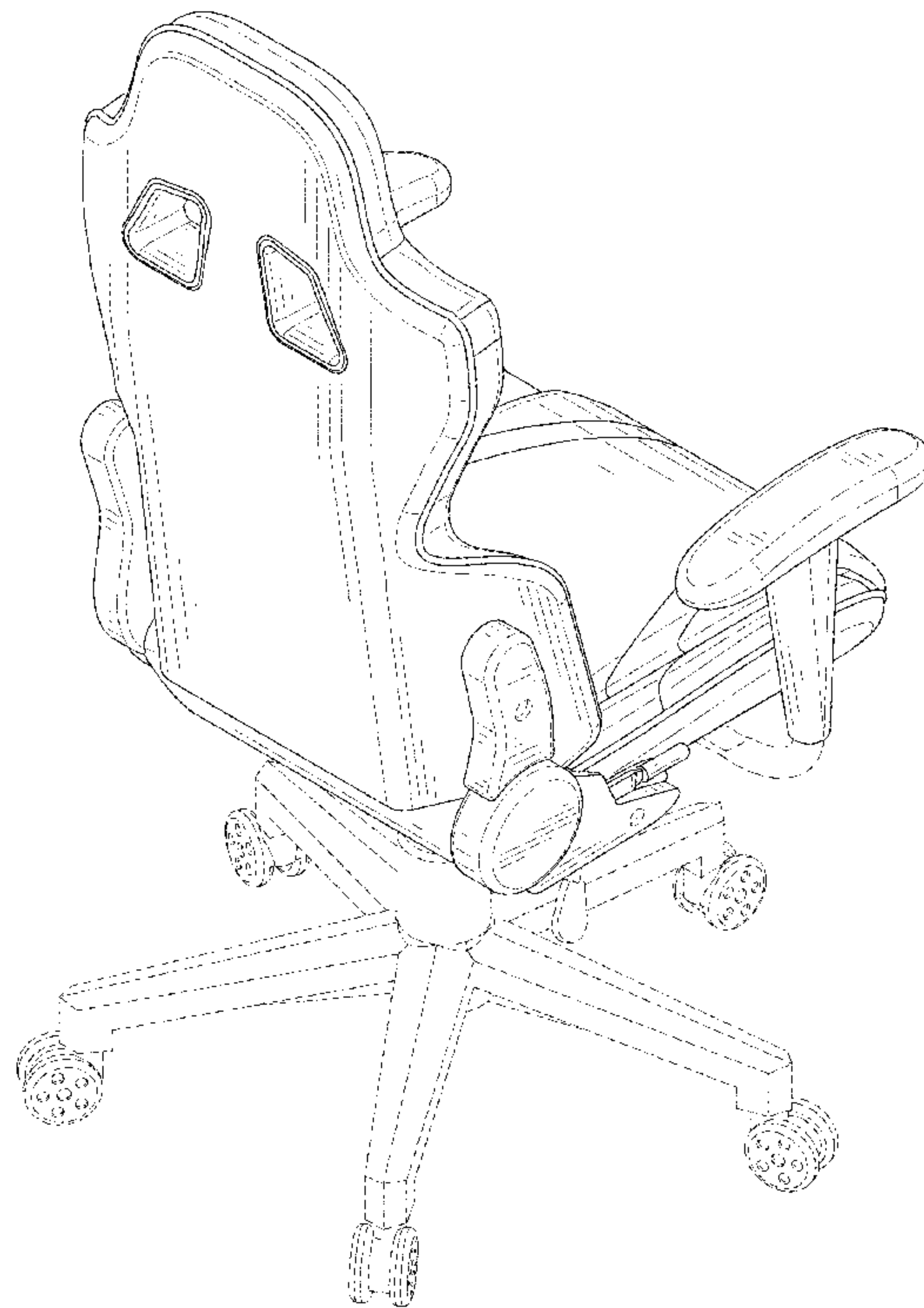




FIG. 1

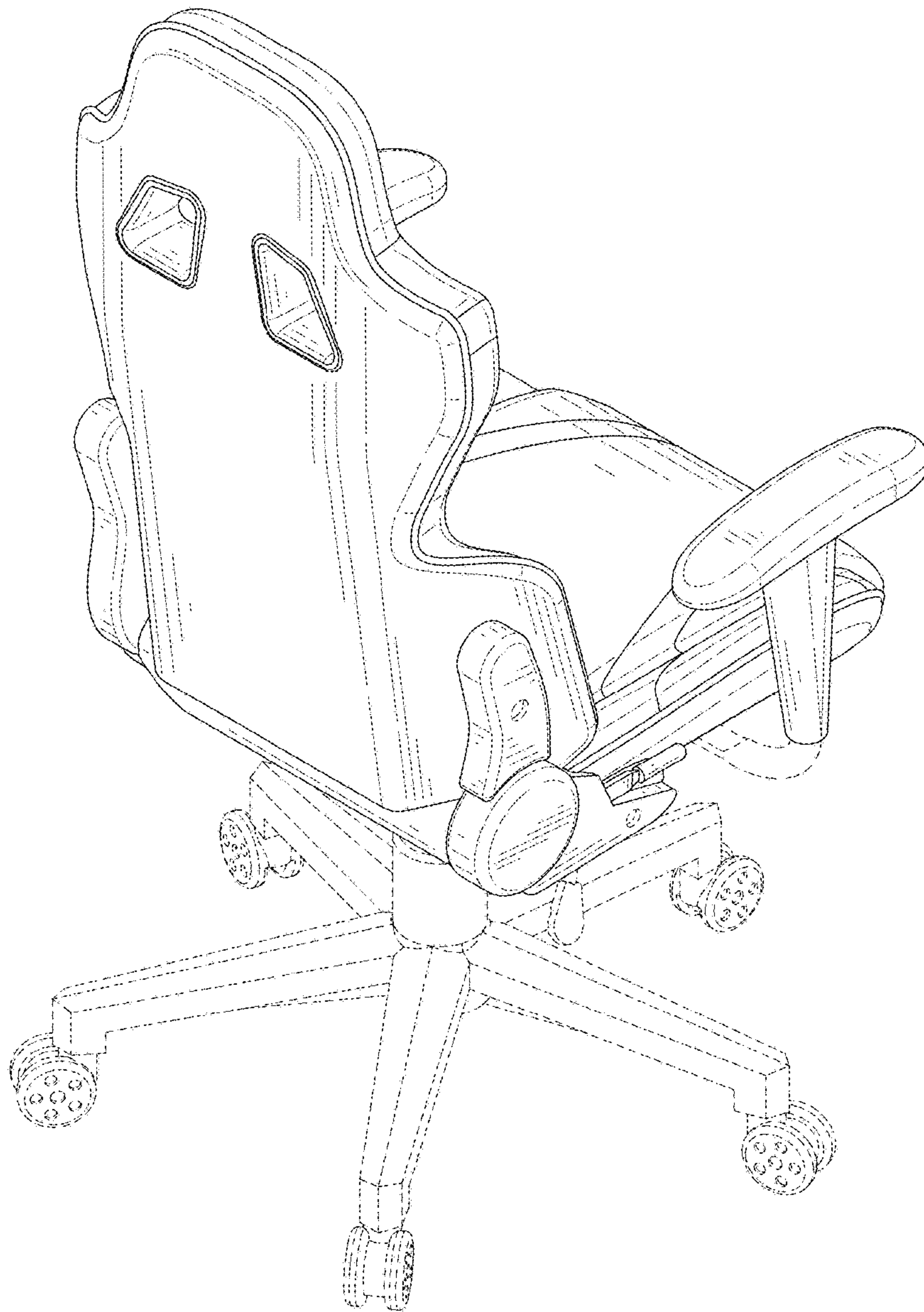


FIG. 2



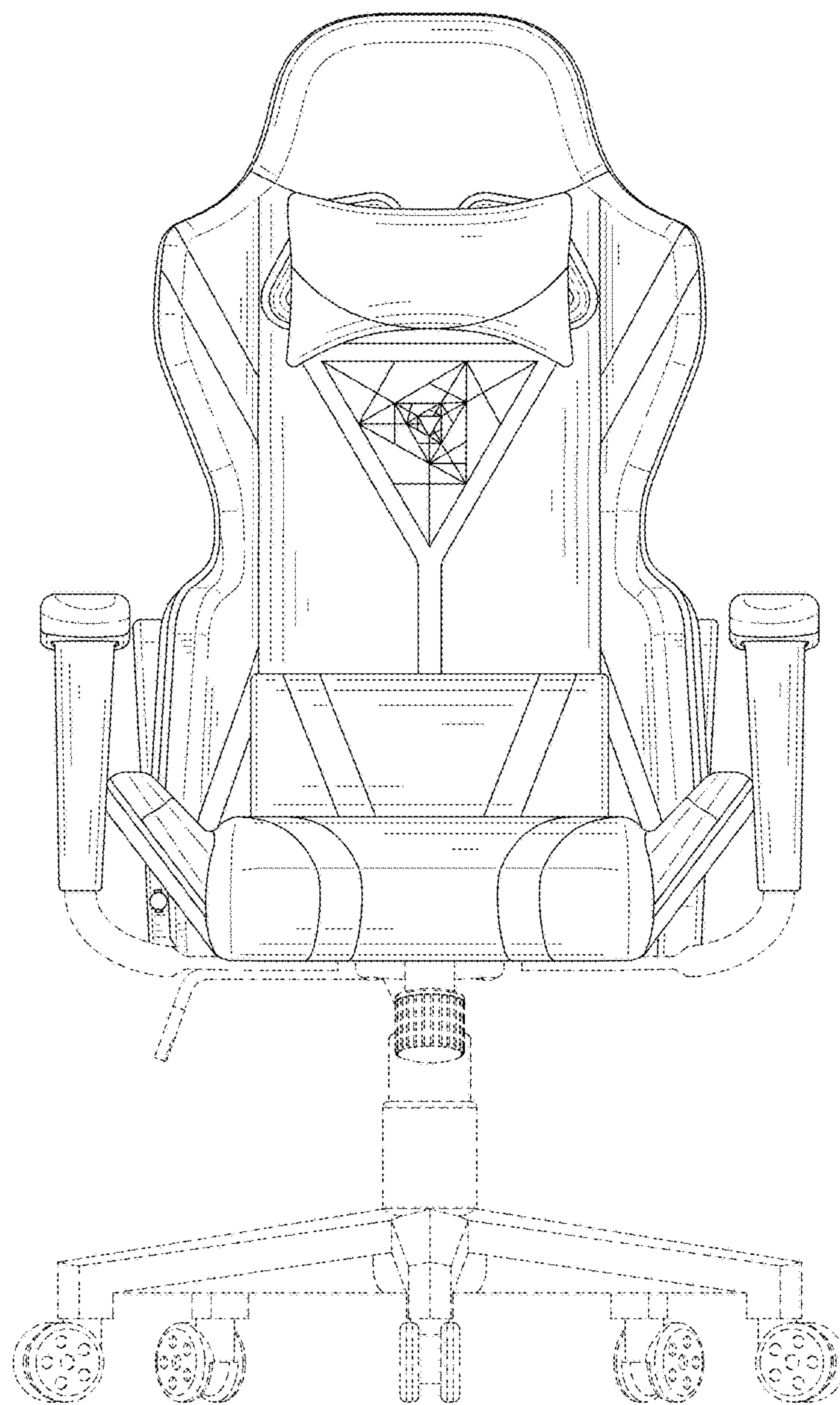


FIG. 3

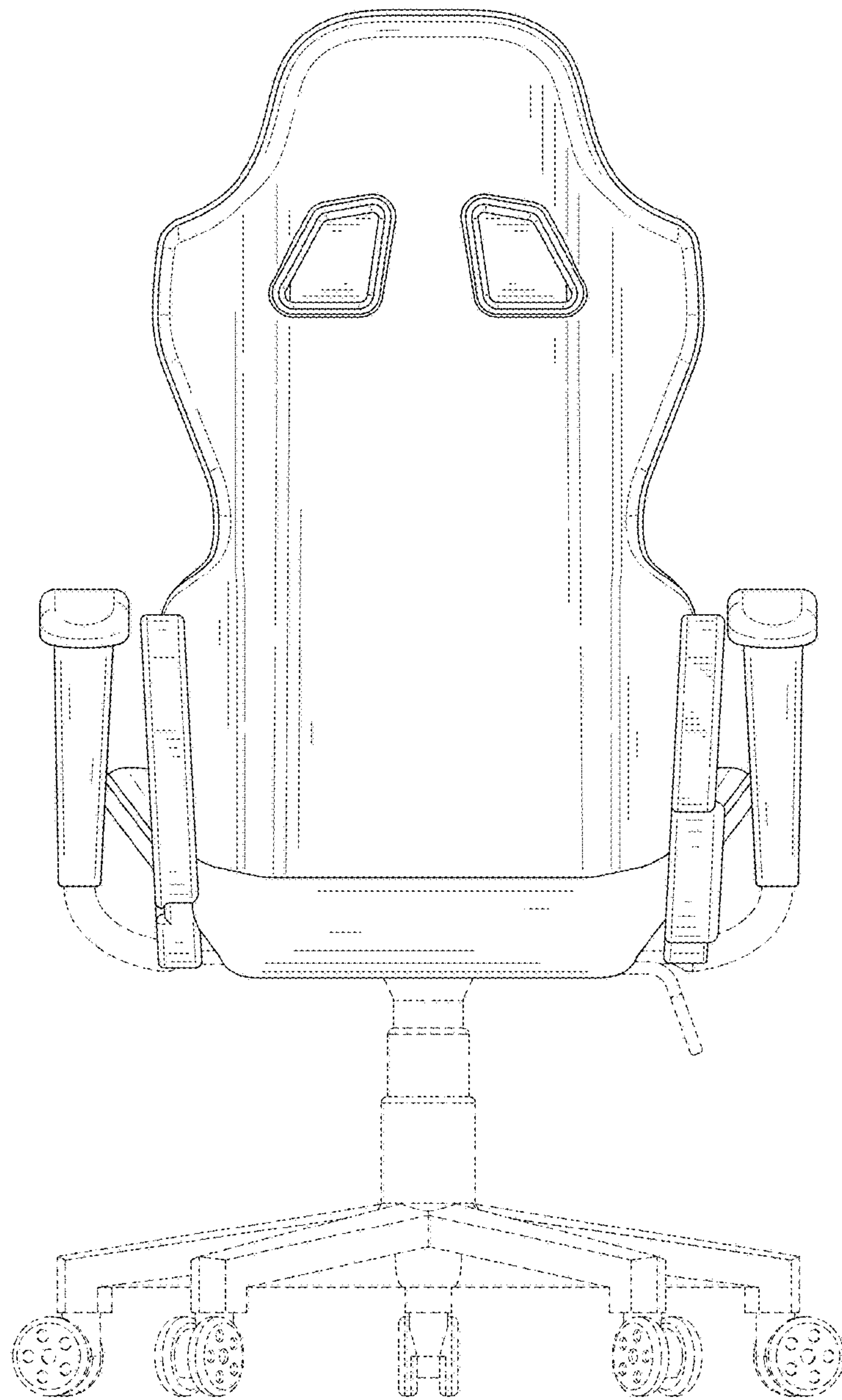


FIG. 4

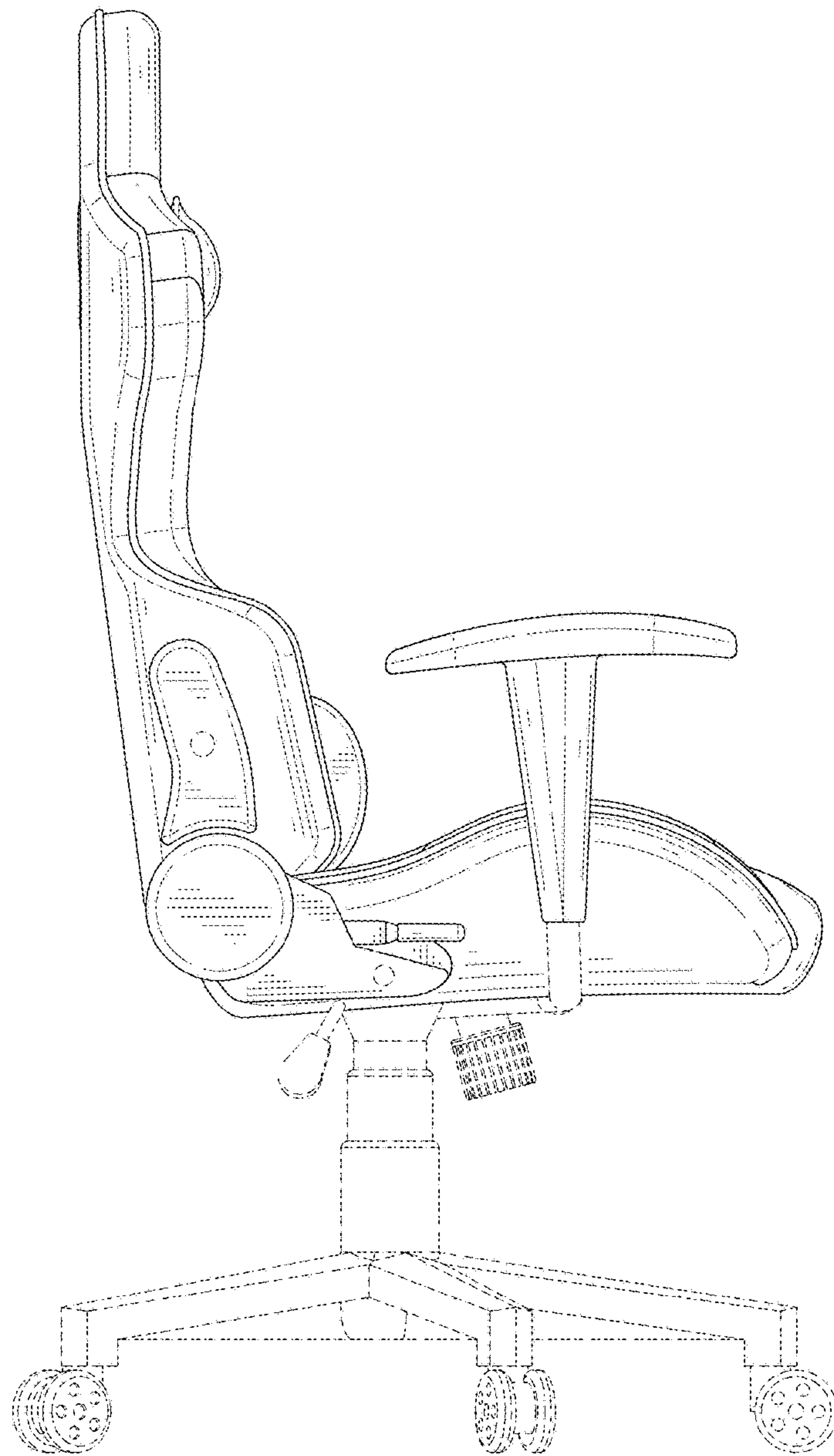


FIG. 5

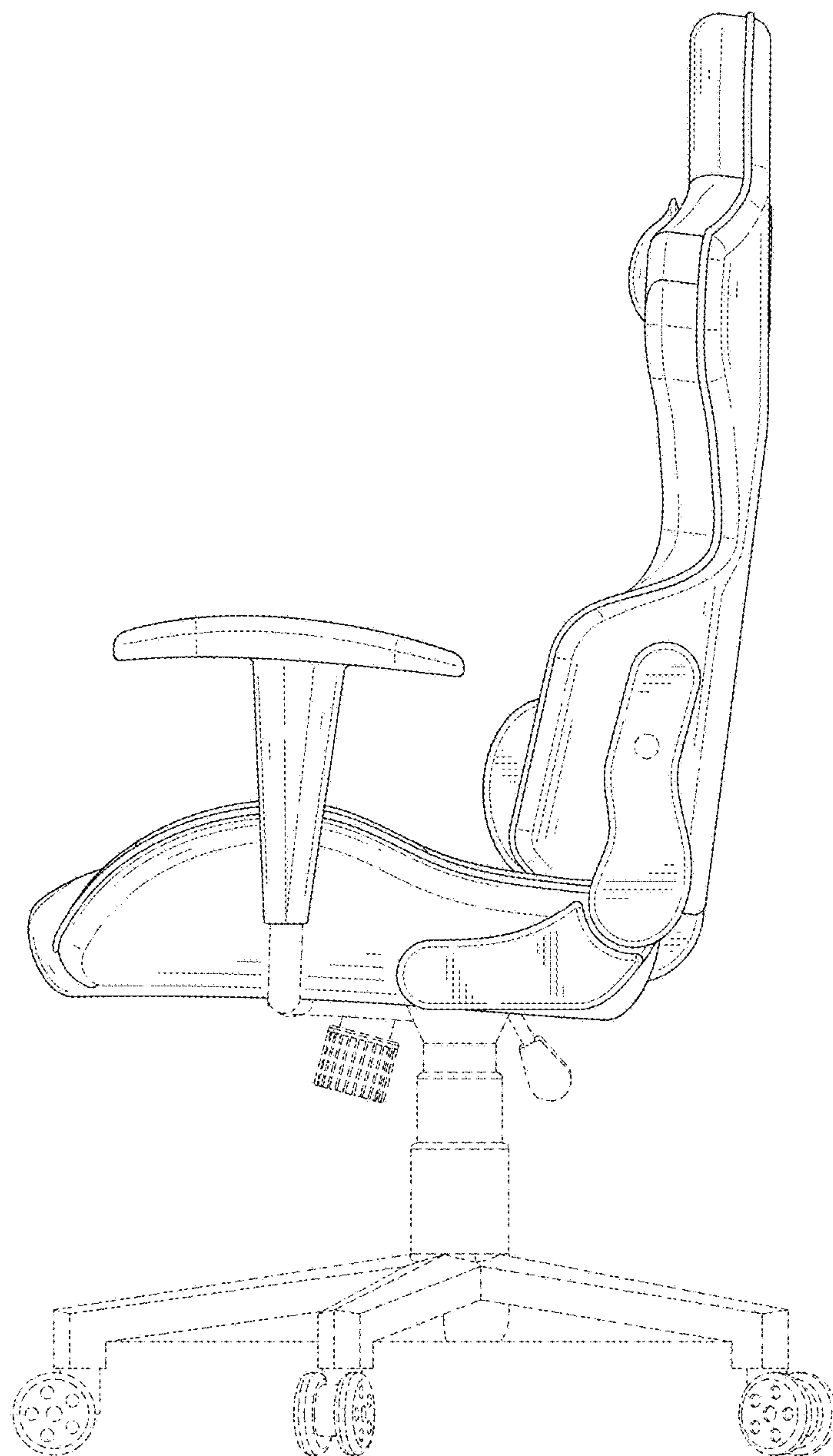


FIG. 6

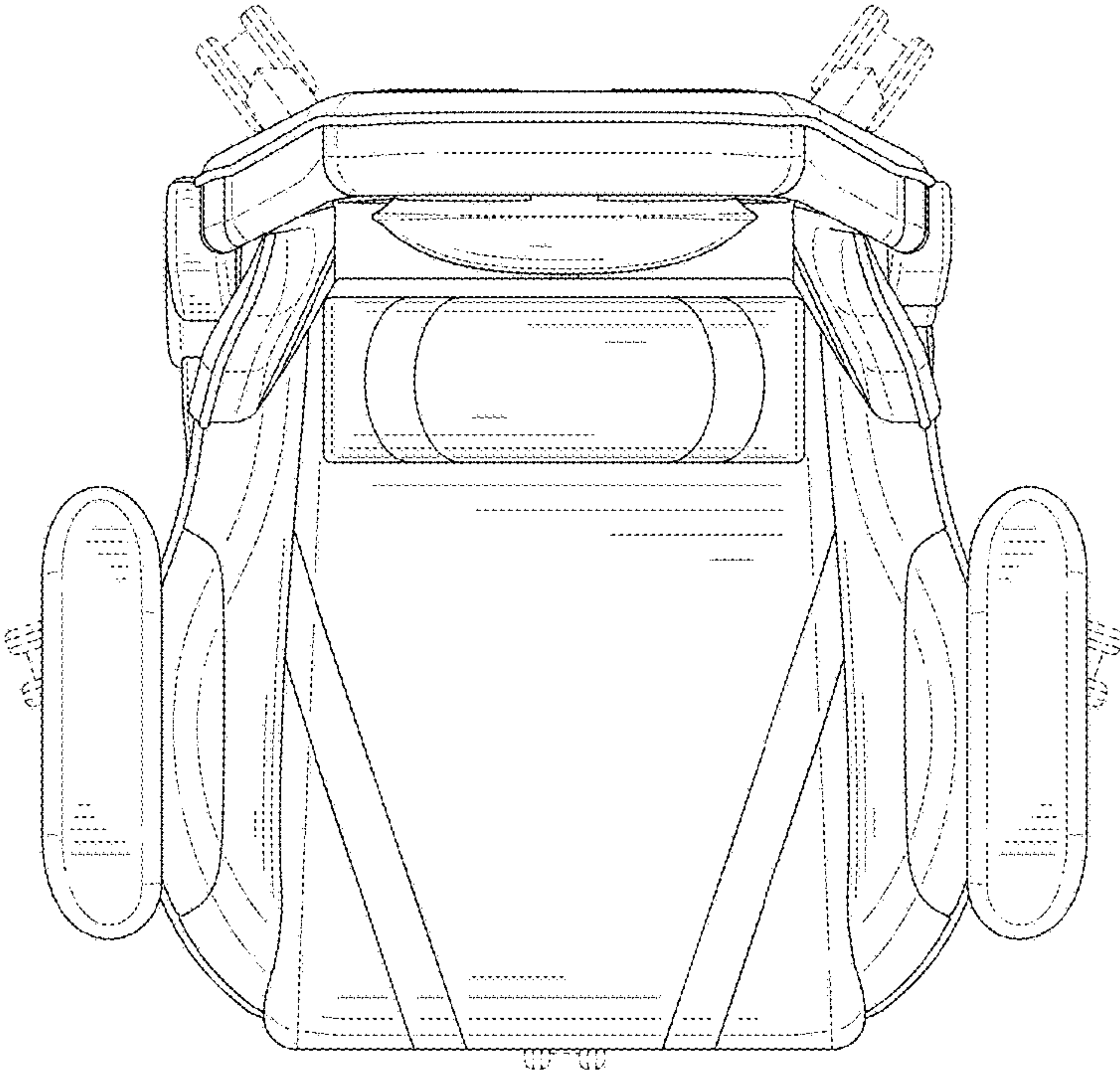


FIG. 7



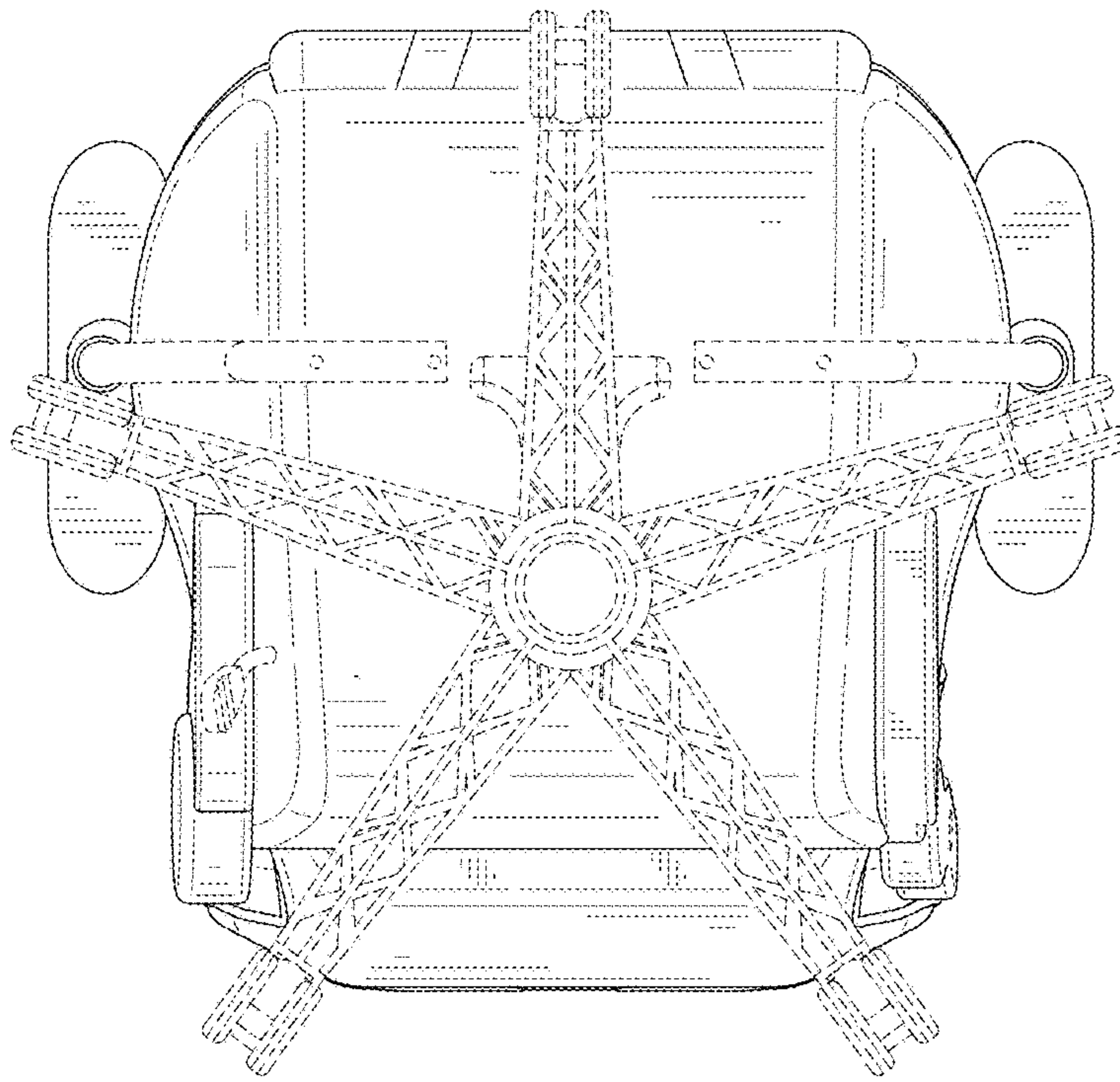


FIG. 8