



US00D851972S

(12) **United States Design Patent**
Reyes

(10) **Patent No.:** **US D851,972 S**
(45) **Date of Patent:** **** Jun. 25, 2019**

(54) **TABLE**
(71) Applicant: **Lakeshore Equipment Company,**
Carson, CA (US)
(72) Inventor: **Alfredo Reyes,** West Covina, CA (US)
(73) Assignee: **Lakeshore Equipment Company,**
Carson, CA (US)
(**) Term: **15 Years**

D289,577 S 4/1987 Graham
D294,318 S 2/1988 Zapf
4,848,245 A * 7/1989 Piretti A47B 13/021
108/156
D395,771 S 7/1998 Kelly et al.
D449,185 S * 10/2001 Solloway D6/691
D455,300 S 4/2002 Davies et al.
D481,229 S 10/2003 Weaver
D486,665 S 2/2004 Weaver
D493,983 S 8/2004 Di Guglielmo et al.
D586,158 S 2/2009 Thomkins
(Continued)

(21) Appl. No.: **29/676,581**
(22) Filed: **Jan. 11, 2019**
(51) **LOC (11) Cl.** **06-06**
(52) **U.S. Cl.**
USPC **D6/707.17**
(58) **Field of Classification Search**
USPC D6/349, 641, 565, 565.13, 691, 691.6,
D6/702, 707.17, 708, 708.22, 709
CPC .. A47B 3/00; A47B 3/12; A47B 13/00; A47B
13/003; A47B 13/02; A47B 13/021; A47B
2013/006; A47B 2013/022; A47B
2013/024; A47B 2200/0011; A47B
2200/0015; A47B 2200/002; A47B
2200/0051; A47B 2200/0052
See application file for complete search history.

OTHER PUBLICATIONS

Flex-Space Write & Wipe Mobile Student Desk—www.lakeshore.com
https://www.lakeshorelearning.com/products/classroom-furniture/
tables-desks/flex-space-write-wipe-mobile-student-desk/p/LC662
retrieved from the internet on Mar. 26, 2019.*
(Continued)

Primary Examiner — Mary Ann Calabrese
(74) *Attorney, Agent, or Firm* — Banner & Witcoff, Ltd.

(56) **References Cited**

U.S. PATENT DOCUMENTS

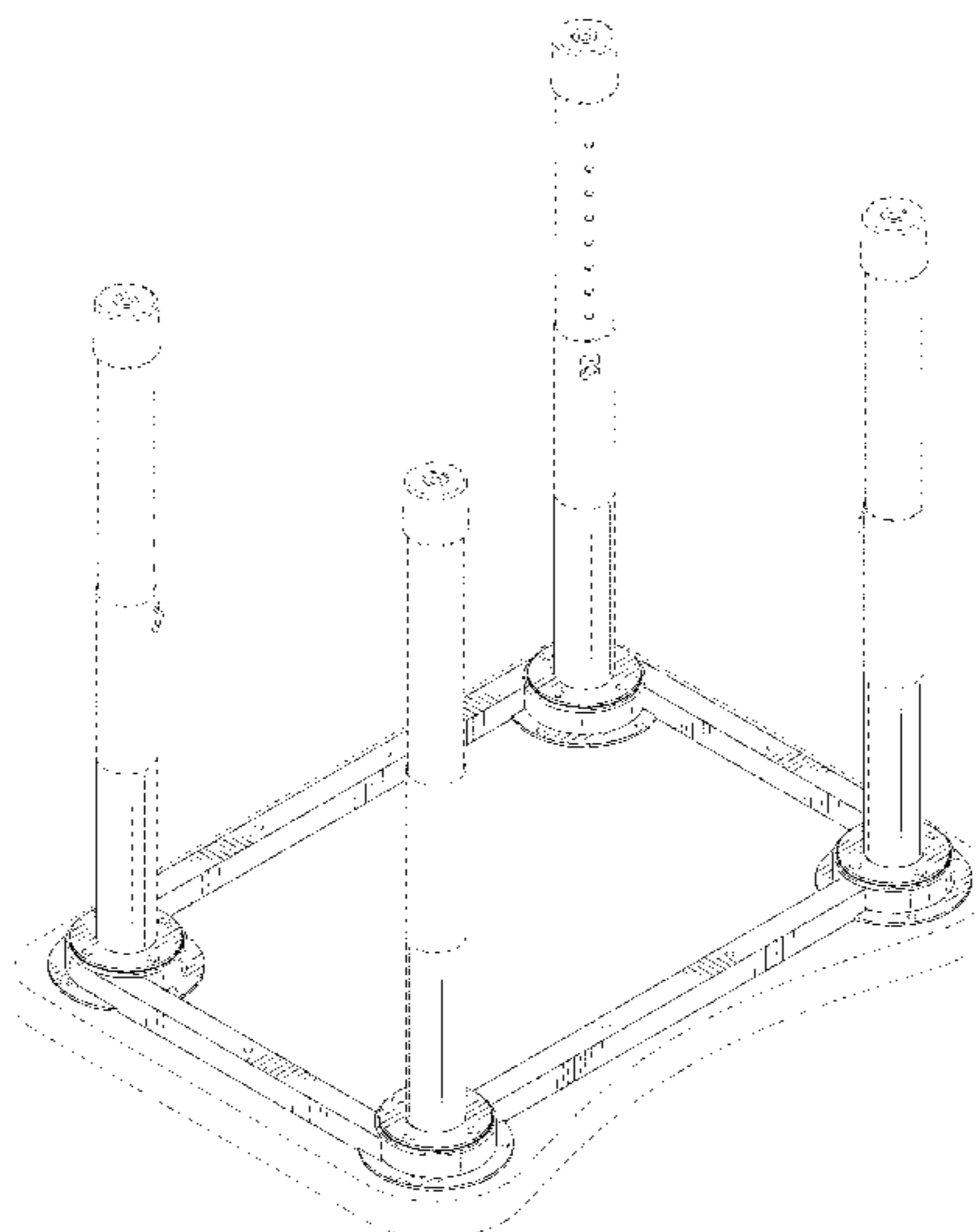
D164,075 S * 7/1951 Wallance D6/691
3,322,384 A * 5/1967 Rodwell A47B 13/021
248/188
D218,903 S 10/1970 Chichester
4,011,821 A * 3/1977 Neal A47B 3/12
108/156
4,039,133 A * 8/1977 Streicher A47B 13/021
108/158.11
D263,192 S 3/1982 LeVan
D266,127 S 9/1982 Chapin
D271,551 S 11/1983 Rausch

(57) **CLAIM**
The ornamental design for a table, as shown and described.

DESCRIPTION

FIG. 1 is a bottom, front, left perspective view of a table showing my new design;
FIG. 2 is a front view thereof;
FIG. 3 is a rear view thereof;
FIG. 4 is a left side view thereof;
FIG. 5 is a right side view thereof; and,
FIG. 6 is a bottom view thereof.
The broken lines showing the circular unshaded regions within the shaded area represent screw holes that form no part of the claimed design. The broken lines depicting the remainder of the table show features that form no part of the claimed design.

1 Claim, 6 Drawing Sheets



(56)

References Cited

U.S. PATENT DOCUMENTS

D668,084 S 10/2012 Lehman-Smith
D681,370 S 5/2013 Hagberg et al.
D788,503 S * 6/2017 Duvigneau A47B 13/021
D6/691.6

OTHER PUBLICATIONS

“Gerton”; IKEA; Retrieved: Jan. 23, 2019; URL: https://www.ikea.com/us/en/assembly_instructions/gerton-leg-adjustable_AA-940607-4_pub.pdf.

* cited by examiner

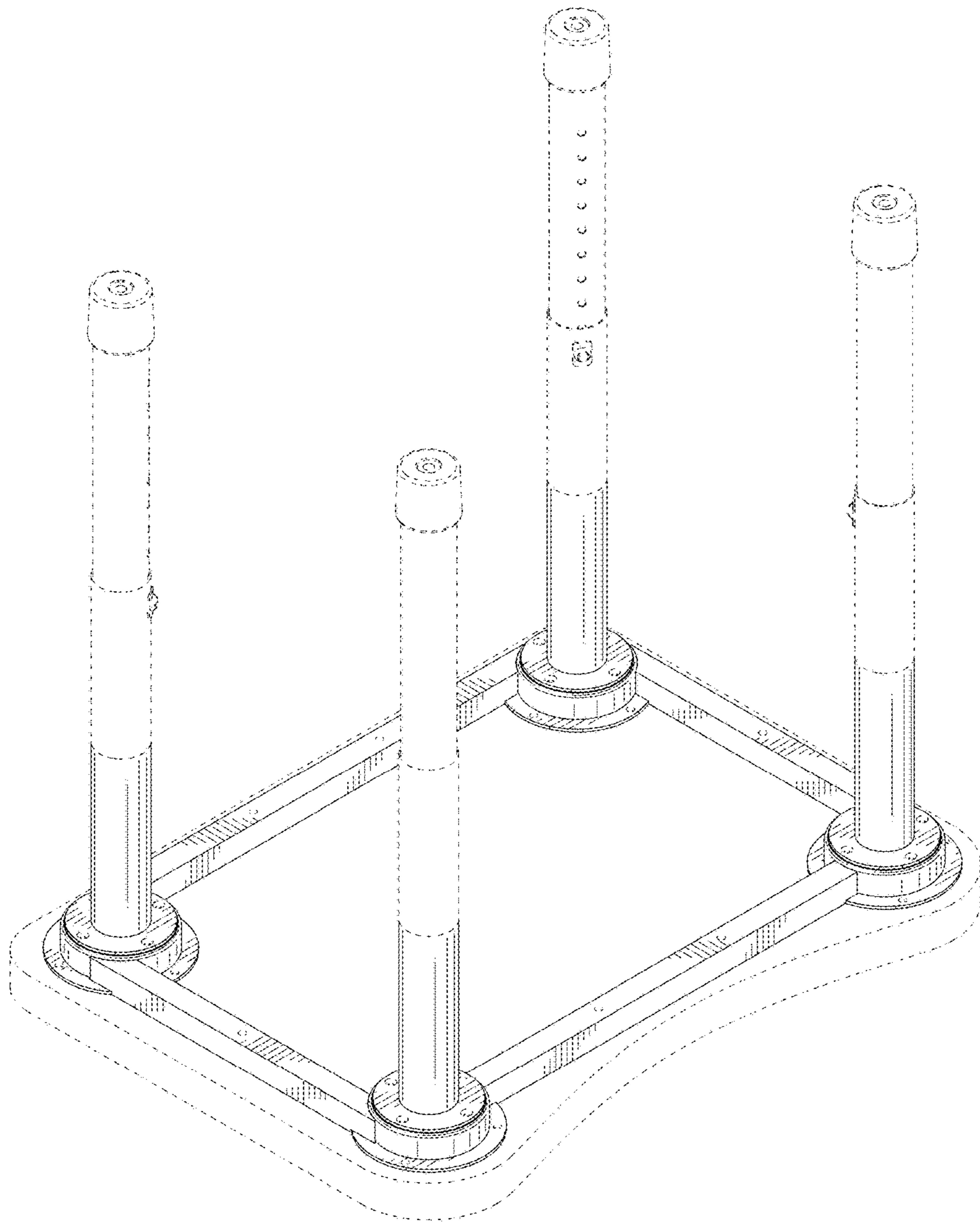


FIG. 1

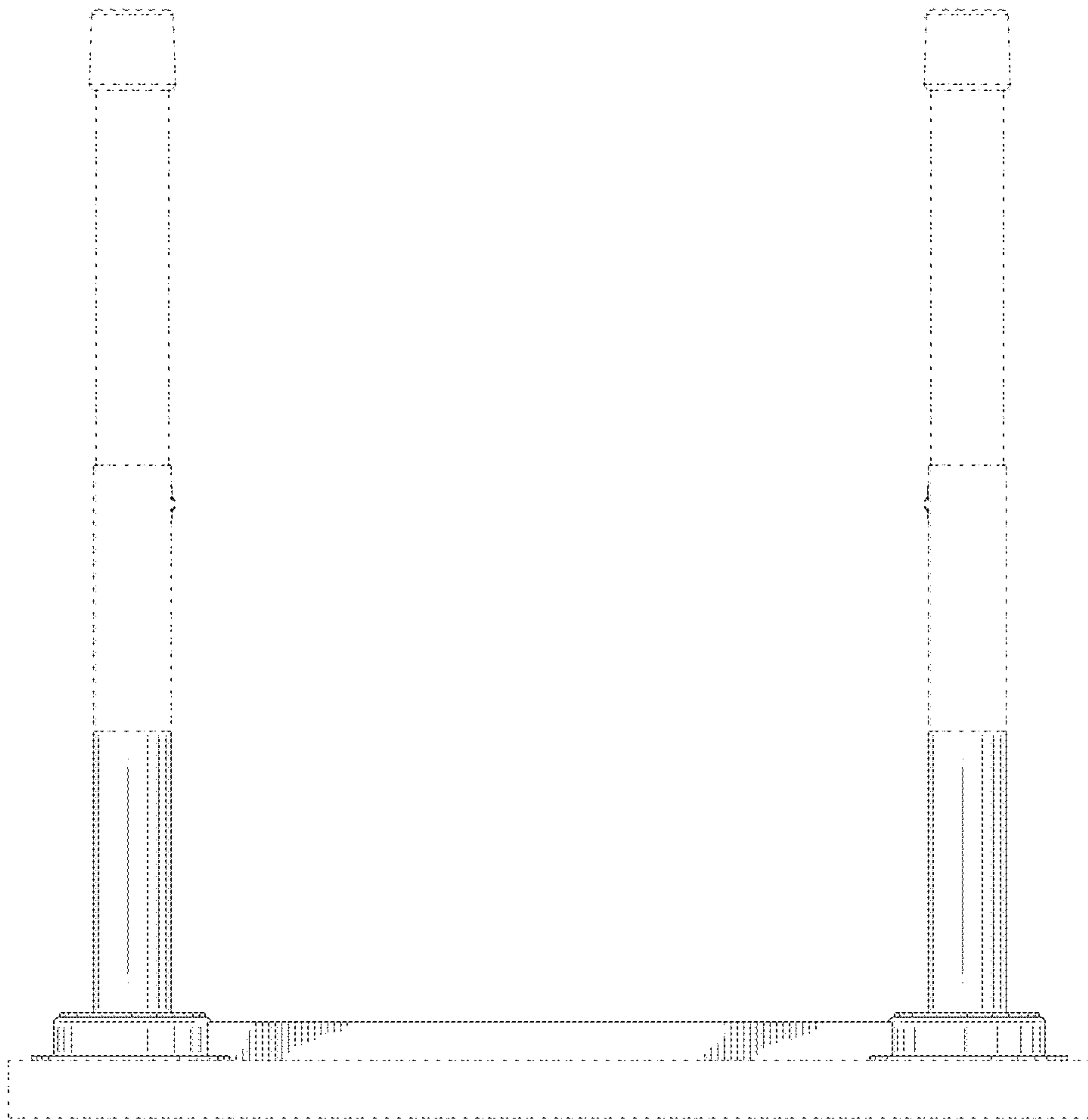


FIG. 2

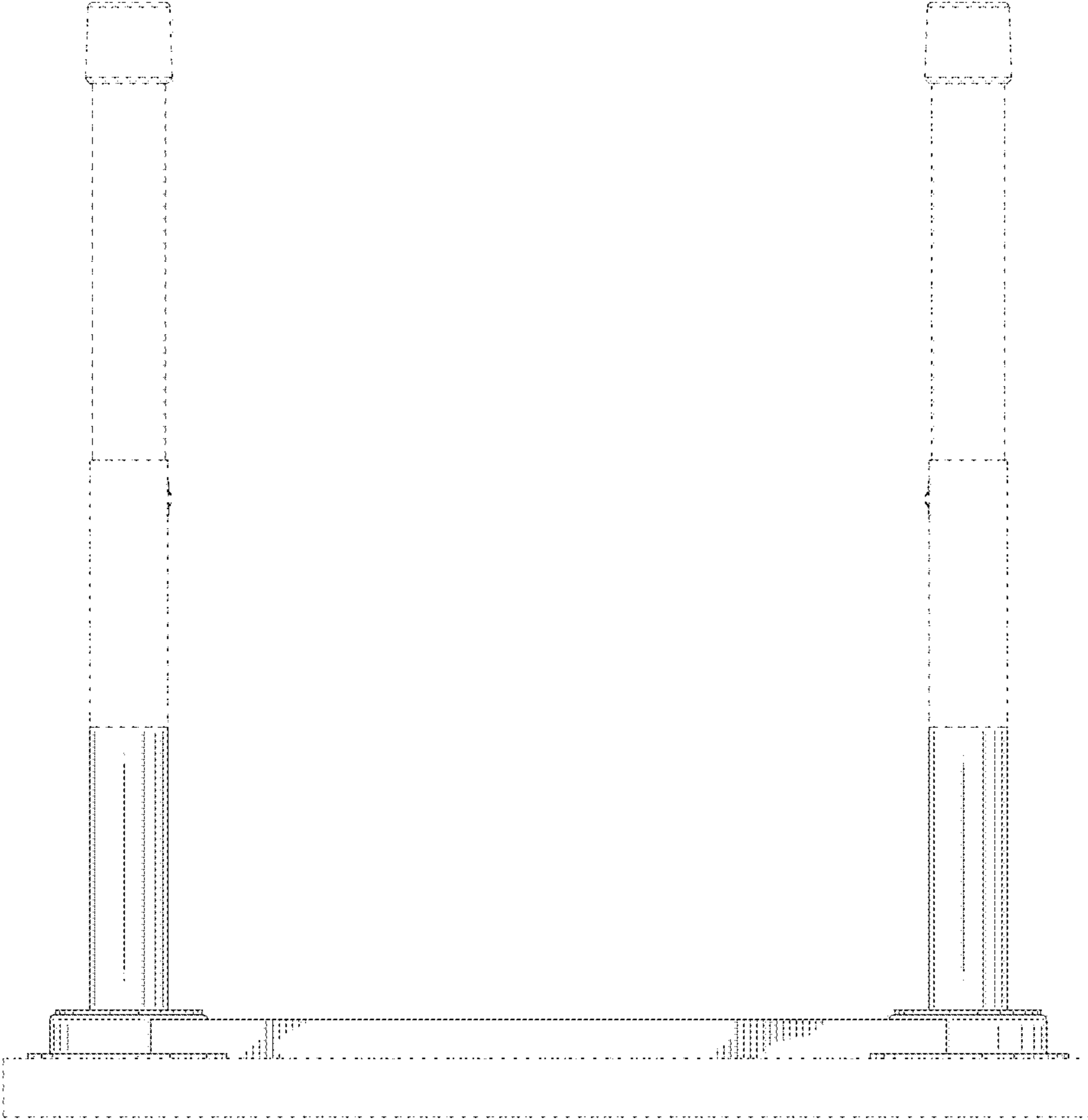


FIG.3

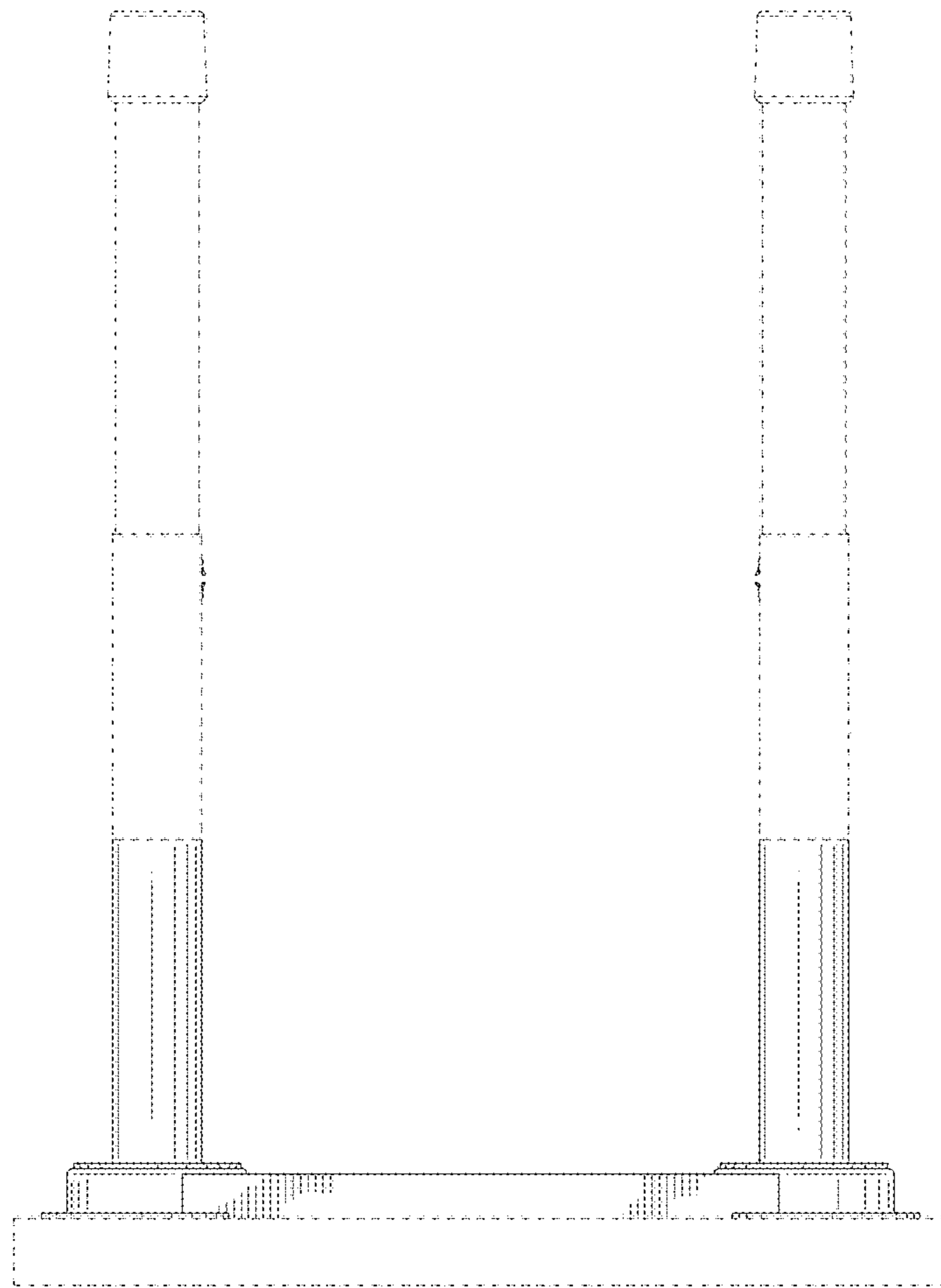


FIG.4

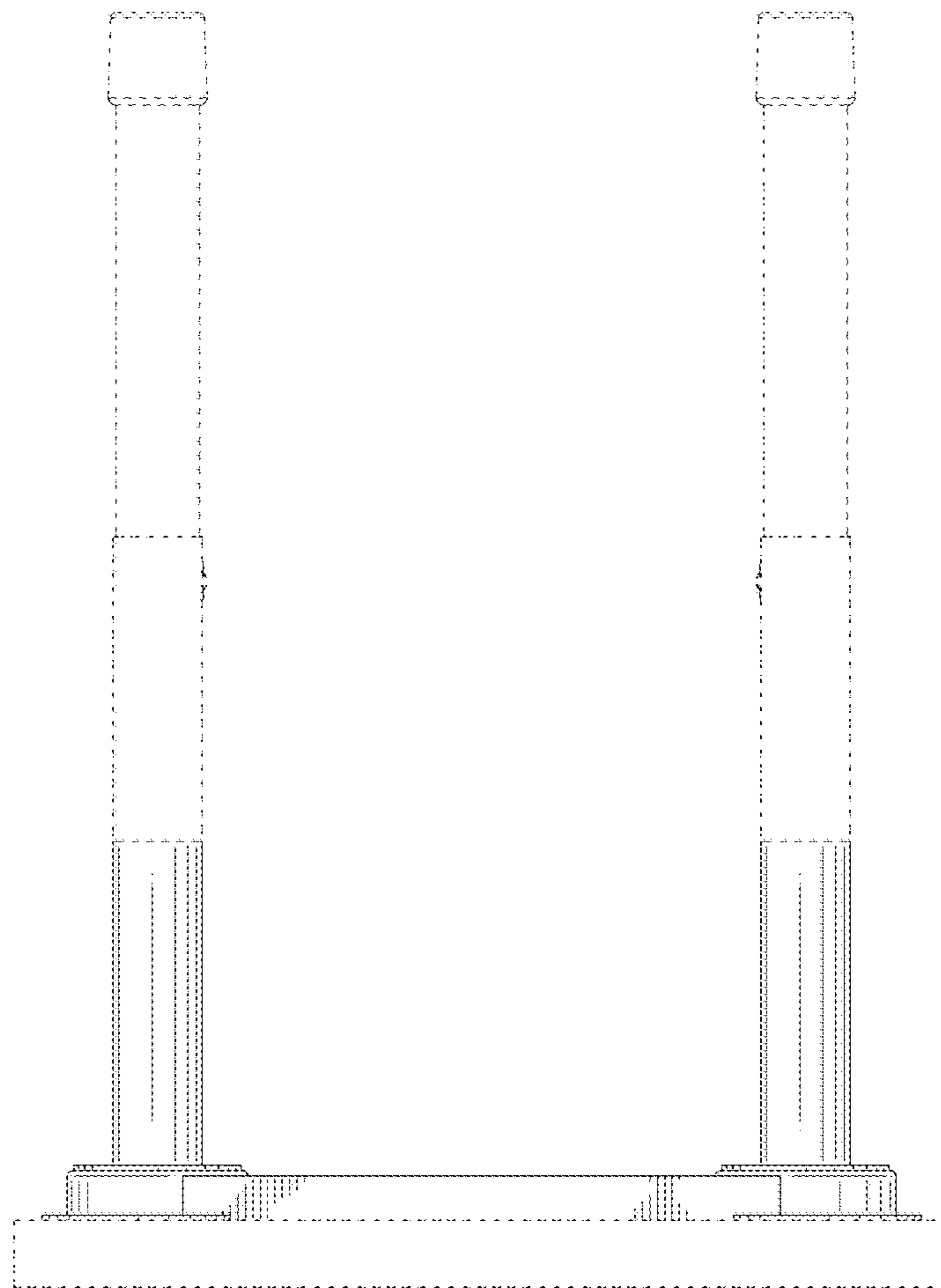


FIG. 5

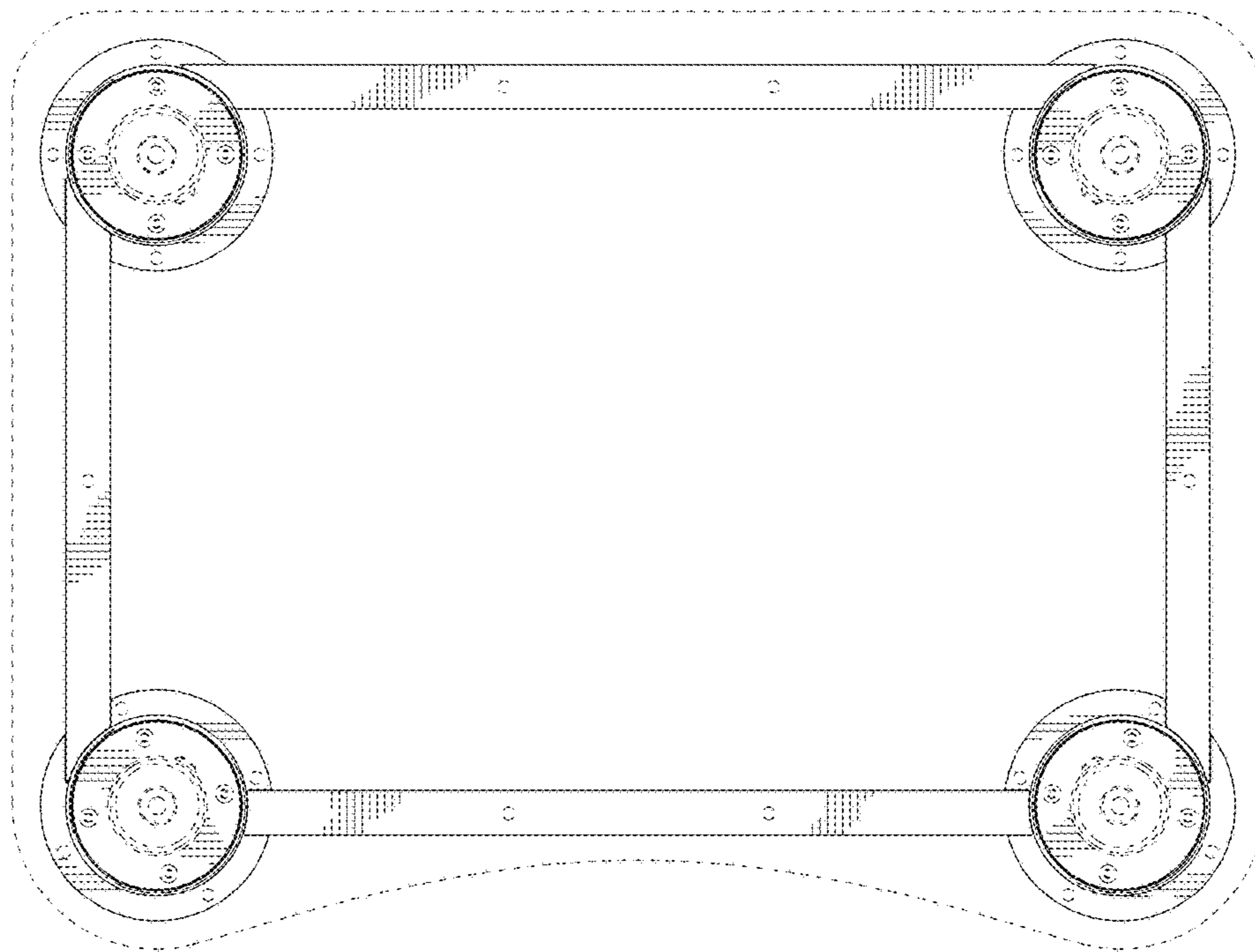


FIG.6