



US00D851971S

(12) **United States Design Patent**
Axelsson

(10) **Patent No.:** **US D851,971 S**
(45) **Date of Patent:** **** Jun. 25, 2019**

- (54) **TEA TABLE**
- (71) Applicant: **Inter IKEA Systems B.V.**, LN Delft (NL)
- (72) Inventor: **Mikael Axelsson**, Älmhult (SE)
- (73) Assignee: **inter ikea systems b.v.**, LN delft (NL)
- (**) Term: **15 Years**
- (21) Appl. No.: **29/626,884**
- (22) Filed: **Nov. 21, 2017**

2,926,794 A *	3/1960	Karoff	A47B 13/16 108/173
D213,599 S *	3/1969	Seibel	A47B 13/08 D6/677
3,858,529 A *	1/1975	Salladay	A47B 31/00 108/103
D291,266 S *	8/1987	Lin	A47B 31/00 D6/677.1
D723,846 S *	3/2015	Healy	D6/692.4

* cited by examiner

Primary Examiner — Mary Ann Calabrese

(74) *Attorney, Agent, or Firm* — Tucker Ellis LLP

(30) **Foreign Application Priority Data**

Jun. 5, 2017 (EM) 004031888-0001

(51) **LOC (11) Cl.** **06-03**

(52) **U.S. Cl.**
USPC **D6/692.4**

(58) **Field of Classification Search**

USPC D6/641, 677, 685–687, 692, 692.1–692.6
 CPC A47B 7/00; A47B 7/02; A47B 9/00; A47B
 13/00; A47B 13/003; A47B 13/02; A47B
 13/04; A47B 13/06; A47B 13/08; A47B
 13/12; A47B 21/00; A47B 31/001; A47B
 2031/003; A47B 2031/004; A47B
 2031/007; A47B 2200/0001; A47B
 2200/0011

See application file for complete search history.

(56) **References Cited**

U.S. PATENT DOCUMENTS

1,240,208 A *	9/1917	Holtmeyer	A47B 13/08 108/90
D98,434 S *	2/1936	Hoffmann	D6/692.6

(57) **CLAIM**

The ornamental design for a tea table, as shown and described.

DESCRIPTION

FIG. 1 is a top-front-right perspective view of a tea table showing my new design.

FIG. 2 is a bottom-front-right perspective view thereof.

FIG. 3 is a front view thereof.

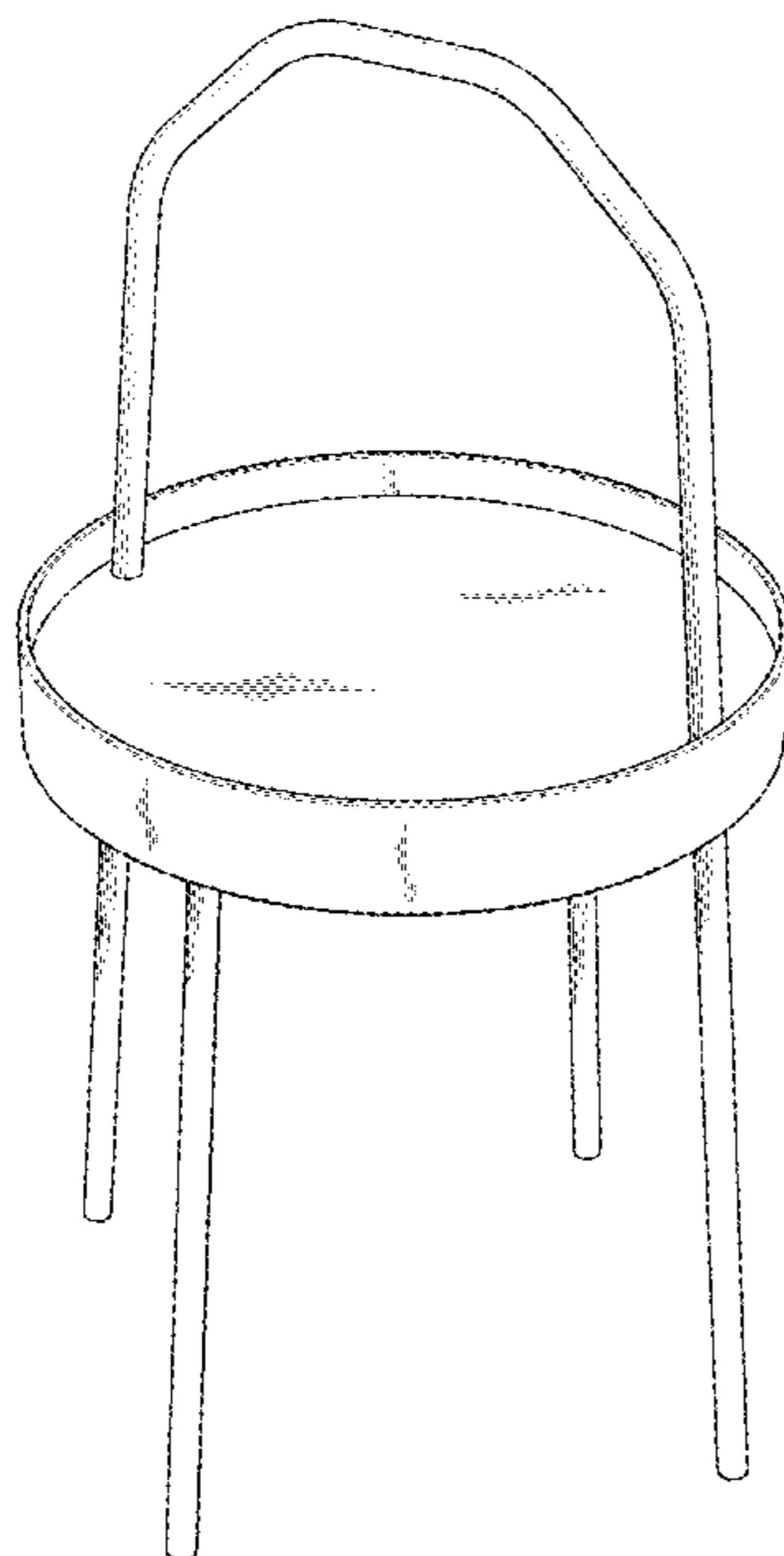
FIG. 4 is a rear view thereof.

FIG. 5 is a right side view thereof, a left side view being a mirror image of the right side view.

FIG. 6 is a top view thereof; and,

FIG. 7 is a bottom view thereof.

1 Claim, 6 Drawing Sheets



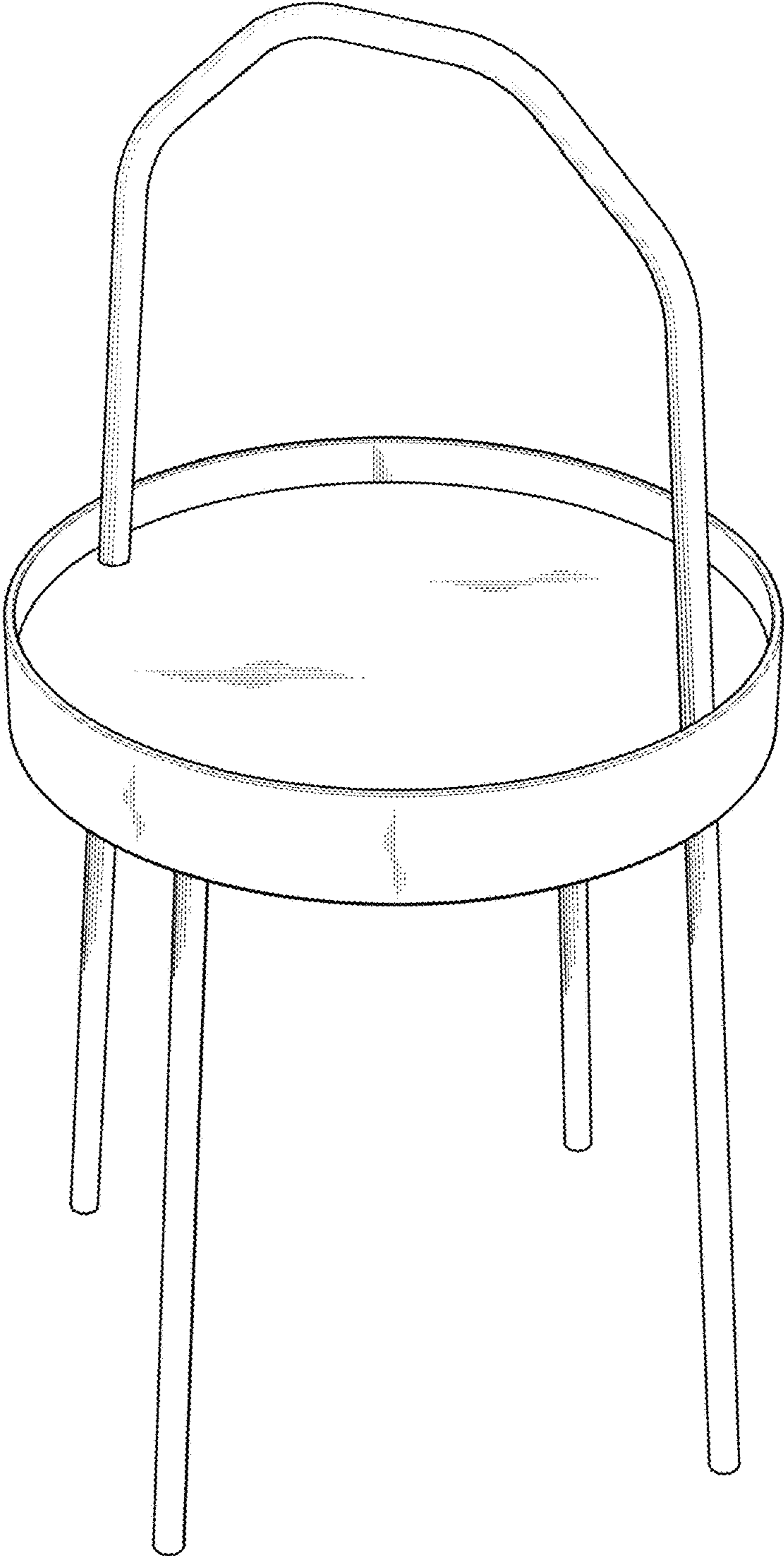


FIG. 1

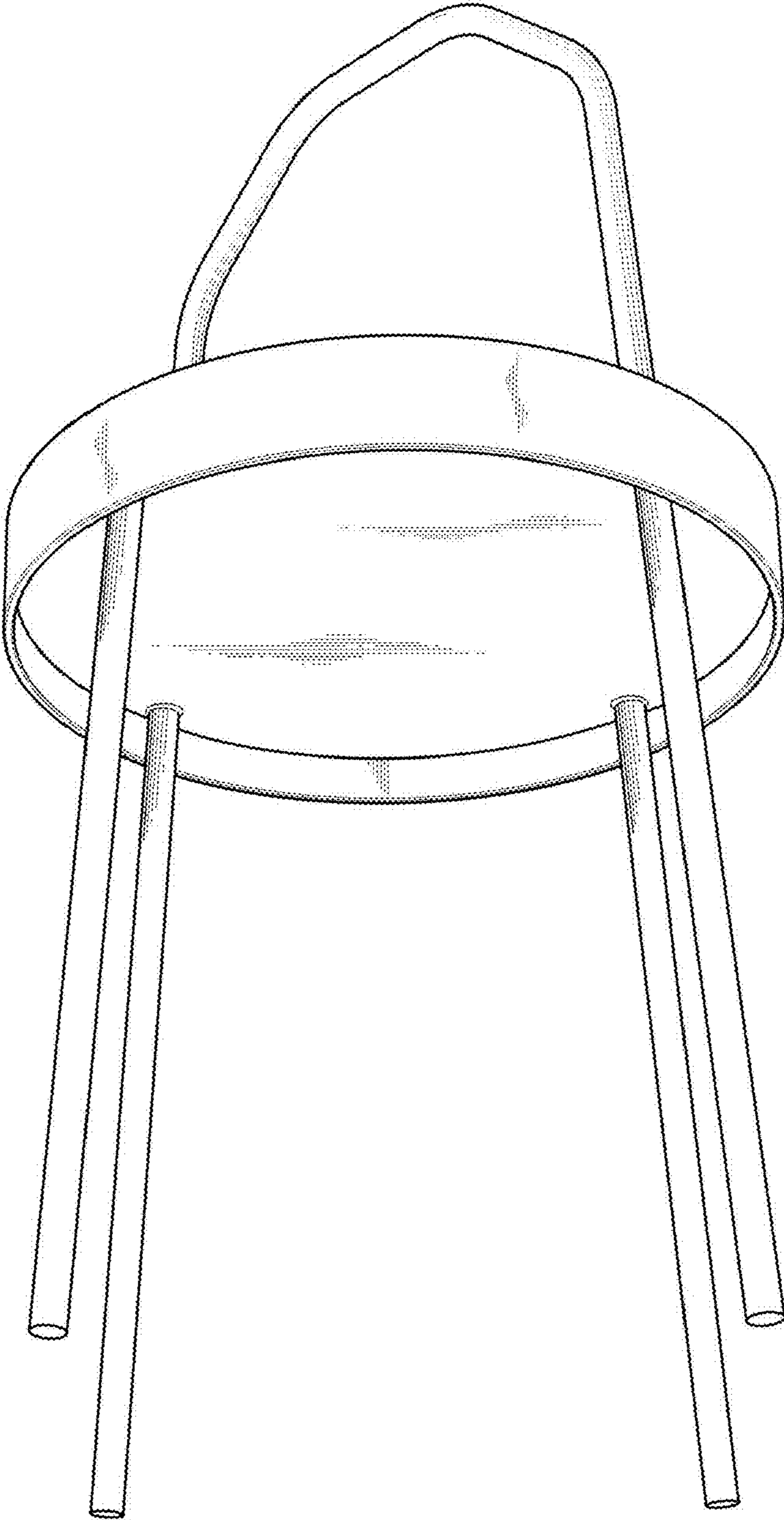


FIG. 2

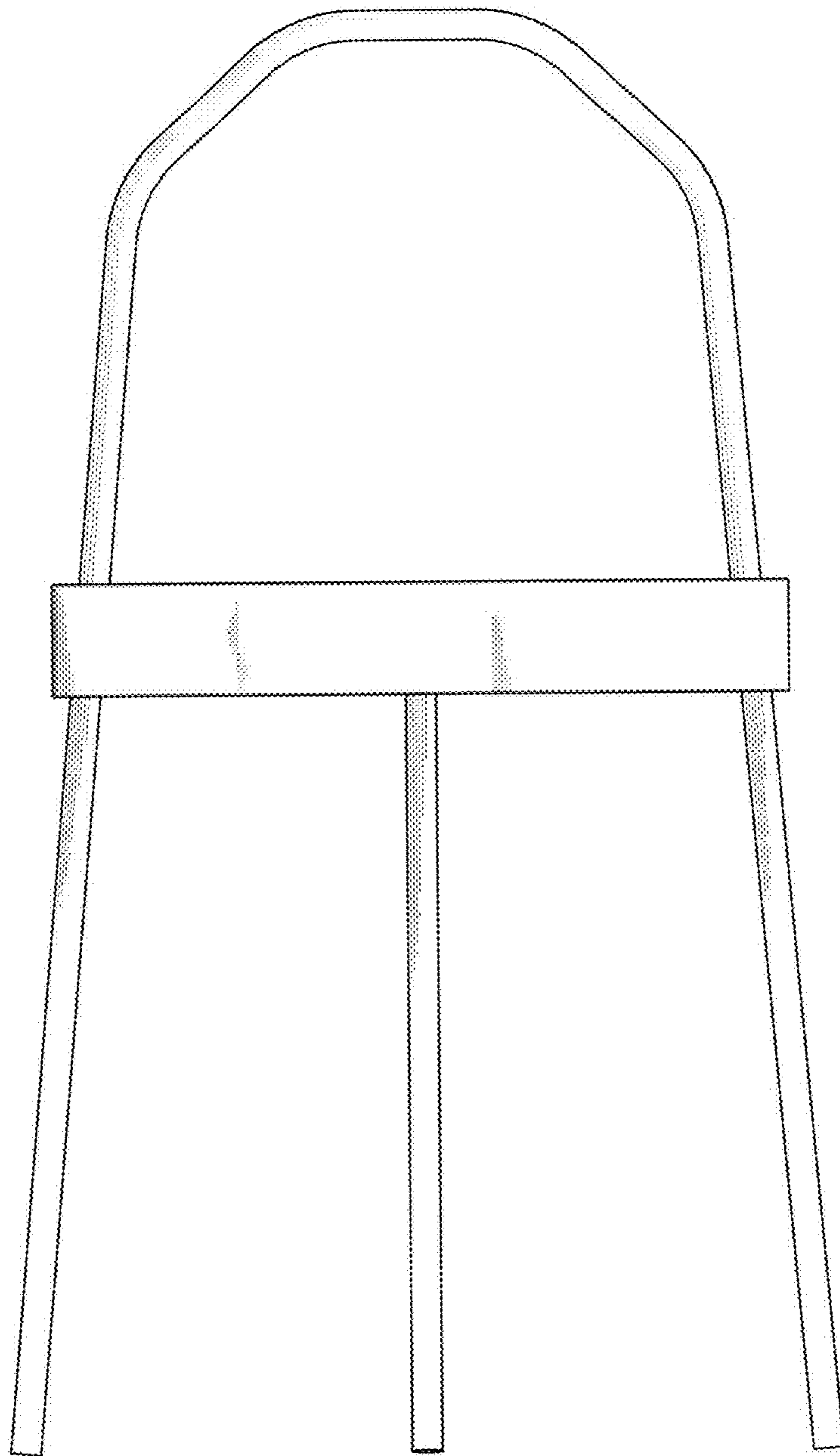


FIG. 3

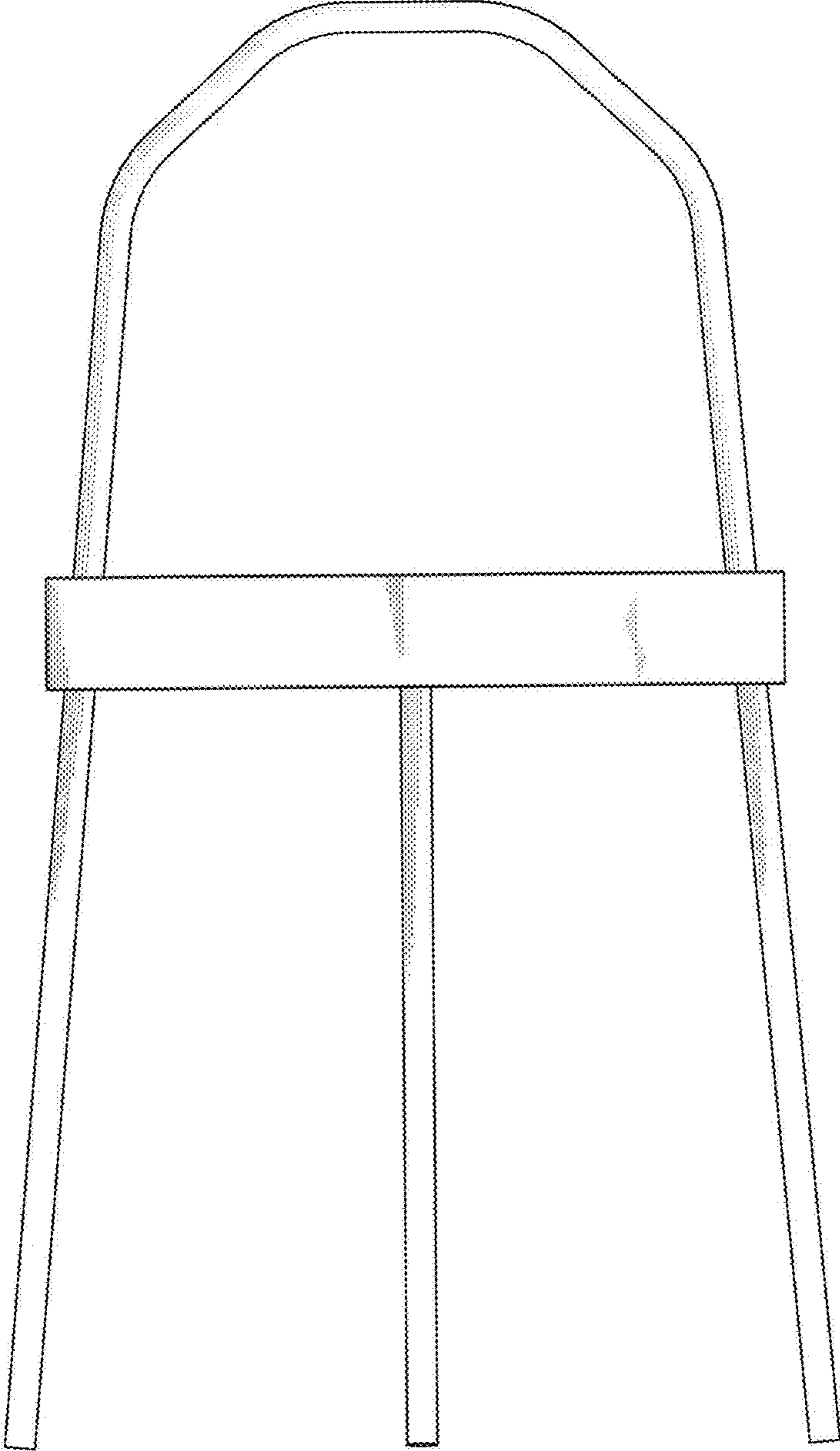


FIG. 4

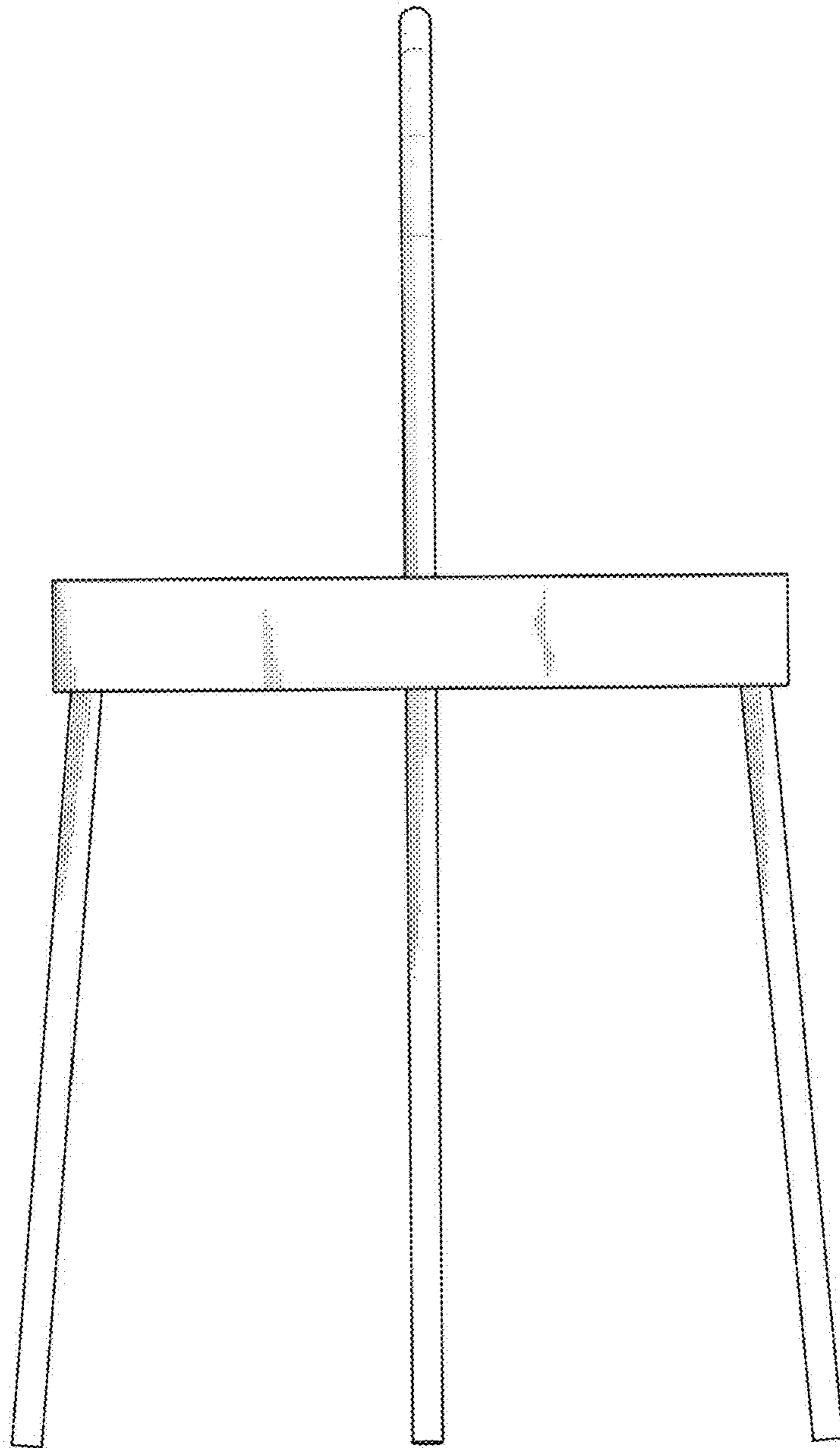


FIG. 5

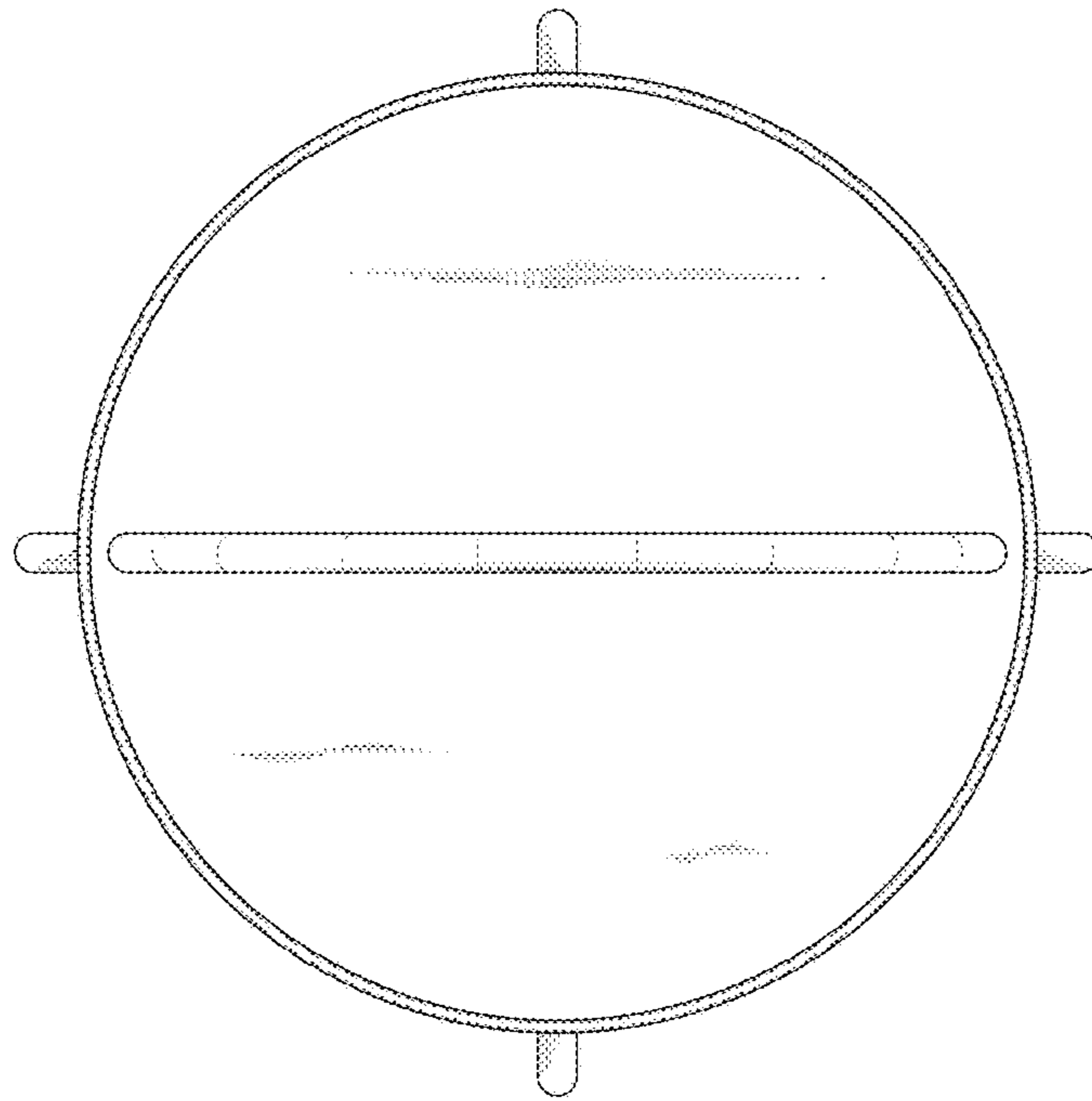


FIG. 6

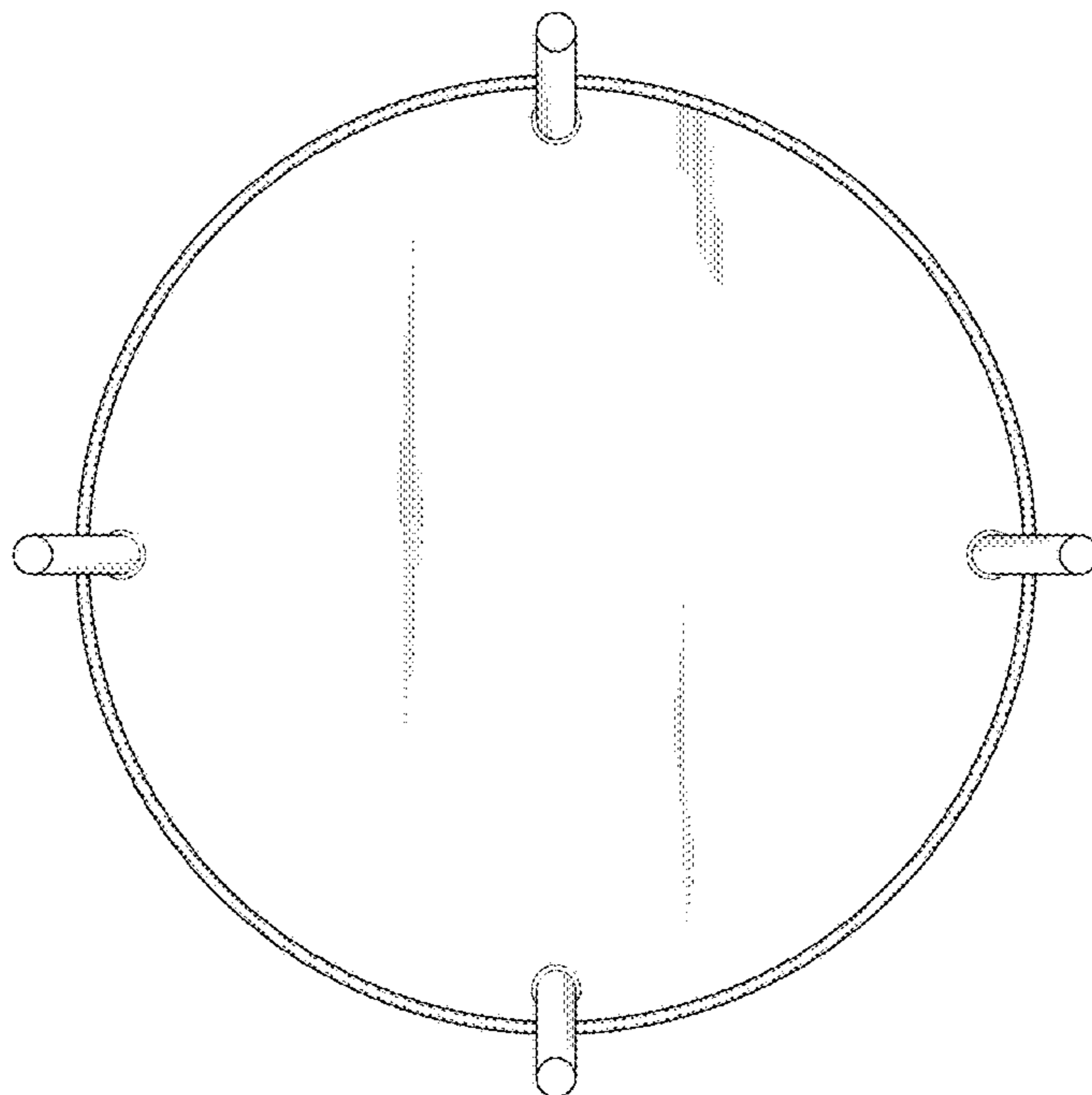


FIG. 7