



US00D851970S

(12) **United States Design Patent**
Stafford et al.

(10) **Patent No.:** **US D851,970 S**
(45) **Date of Patent:** **** Jun. 25, 2019**

- (54) **DISPLAY UNIT**
- (71) Applicant: **Target Brands, Inc.**, Minneapolis, MN (US)
- (72) Inventors: **William Y. Stafford**, Minnetrista, MN (US); **Jennifer A. Theisen**, Crystal, MN (US)
- (73) Assignee: **Target Brands, Inc.**, Minneapolis, MN (US)
- (**) Term: **15 Years**
- (21) Appl. No.: **29/682,413**
- (22) Filed: **Mar. 5, 2019**

D181,693 S	12/1957	Tichnor	
D232,399 S	8/1974	Miles, Jr.	
D261,082 S	10/1981	Lordahl	
D270,256 S *	8/1983	Sankey	D19/75
D270,549 S *	9/1983	Burton	D19/75
D285,993 S *	10/1986	Genna	D6/515
D288,827 S *	3/1987	Wolff	D19/69
D290,202 S	6/1987	Friedman	
D295,540 S *	5/1988	Rabig	D19/90
D297,439 S *	8/1988	Rabig	D19/85
D316,565 S *	4/1991	Rust	D19/75
D390,266 S *	2/1998	Cheris	D19/77
5,803,275 A *	9/1998	Schweitzer	B43M 99/008 211/10
D412,057 S *	7/1999	Brown	D3/201
D579,235 S	10/2008	Dempsey	
D581,187 S	11/2008	Vihauer	
D713,455 S *	9/2014	Chuang	D19/78
D745,296 S	12/2015	Ebert	
D763,019 S	8/2016	Theisen et al.	
D780,489 S	3/2017	LoBianco	

Related U.S. Application Data

- (62) Division of application No. 29/634,267, filed on Jan. 19, 2018.
- (51) **LOC (11) Cl.** **06-06**
- (52) **U.S. Cl.**
USPC **D6/683.1**
- (58) **Field of Classification Search**
USPC D6/672, 673, 675, 678, 678.3, 682, 683, D6/683.1; D3/304, 313, 315; D19/76, D19/77, 78, 92
CPC B65D 1/00; B65D 13/00; B65D 99/00; B65D 99/001; B65D 99/008
See application file for complete search history.

Primary Examiner — Kelly A Donnelly
(74) *Attorney, Agent, or Firm* — Leanne Taveggia Farrell; Westman, Champlin & Koehler, P.A.

(Continued)

(57) **CLAIM**

The ornamental design for a display unit, as shown and described.

DESCRIPTION

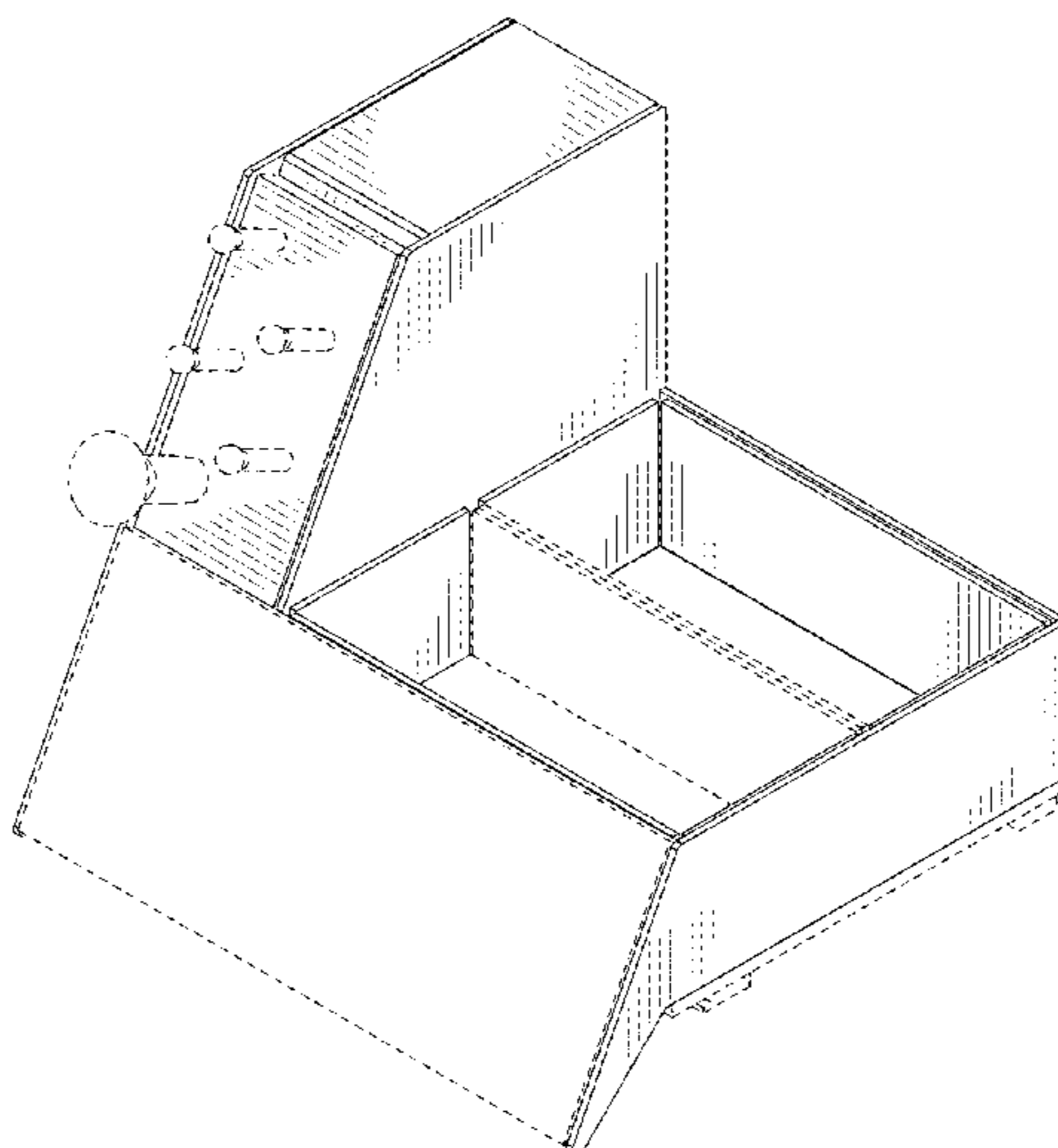
FIG. 1 is a perspective view of a display unit with environment showing our new design;
FIG. 2 is a front view thereof;
FIG. 3 is a top view thereof;
FIG. 4 is a right side view thereof; and,
FIG. 5 is a left side view thereof.
The broken lines shown in the drawings are included for purposes of illustrating portions of the display unit and form no part of the claimed design.

(56) **References Cited**

U.S. PATENT DOCUMENTS

1,130,096 A	3/1915	McSheehy	
D76,813 S *	11/1928	Kesel	D6/683.1
D78,089 S *	3/1929	Kohn	211/88.01
D138,119 S	6/1944	Schneider	
D142,027 S	8/1945	Glass	
D165,023 S	10/1951	Rodbell	

1 Claim, 5 Drawing Sheets



(56)

References Cited

U.S. PATENT DOCUMENTS

D793,774 S	8/2017	Kelly	
D814,216 S	4/2018	French et al.	
D825,658 S *	8/2018	Okene	D19/78
D833,389 S	11/2018	Dunham et al.	
D834,346 S	11/2018	Robertson	
D837,800 S	1/2019	Haller	
2006/0196837 A1 *	9/2006	Dao	A47G 23/0216 211/11

* cited by examiner

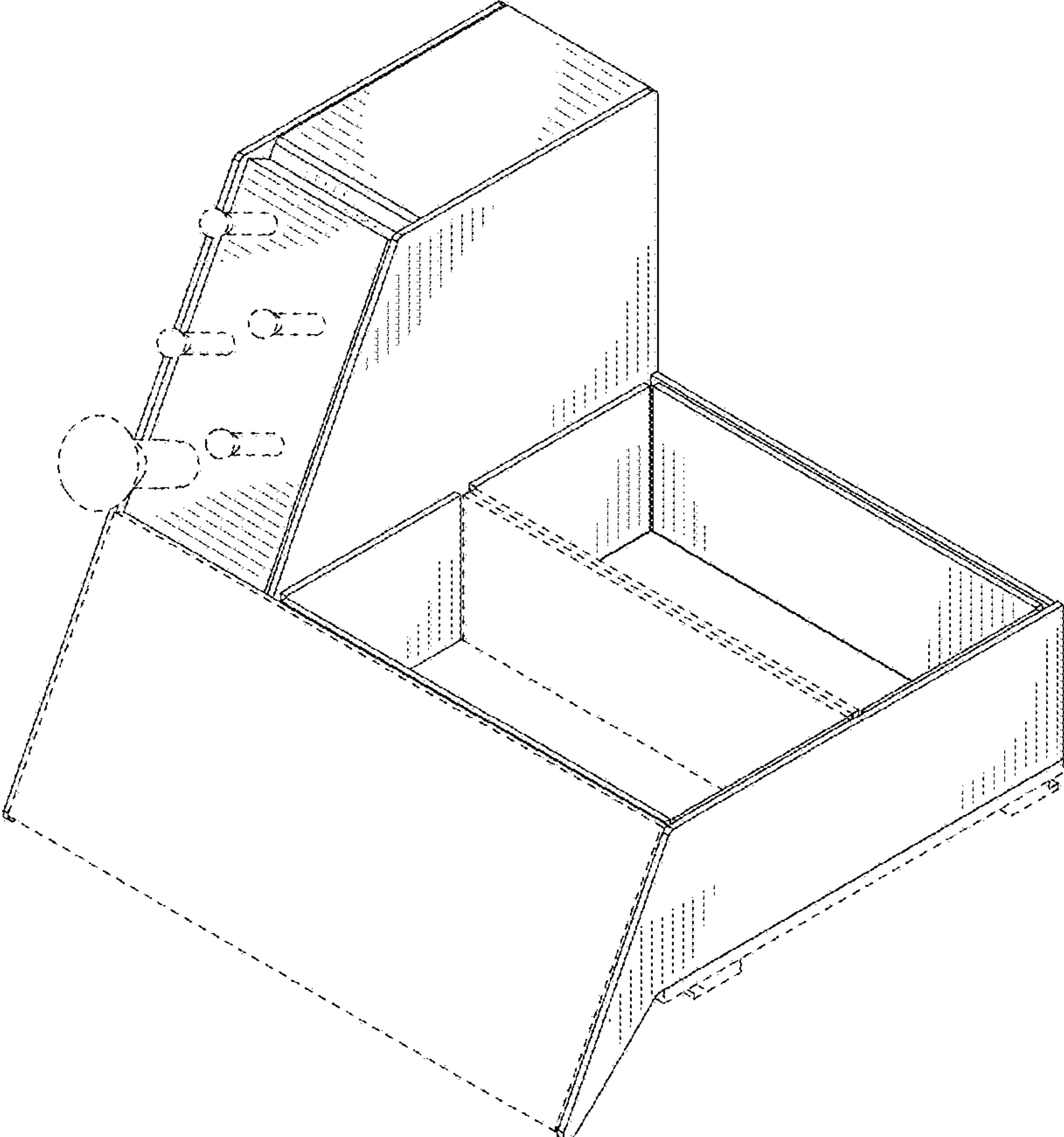


Fig. 1

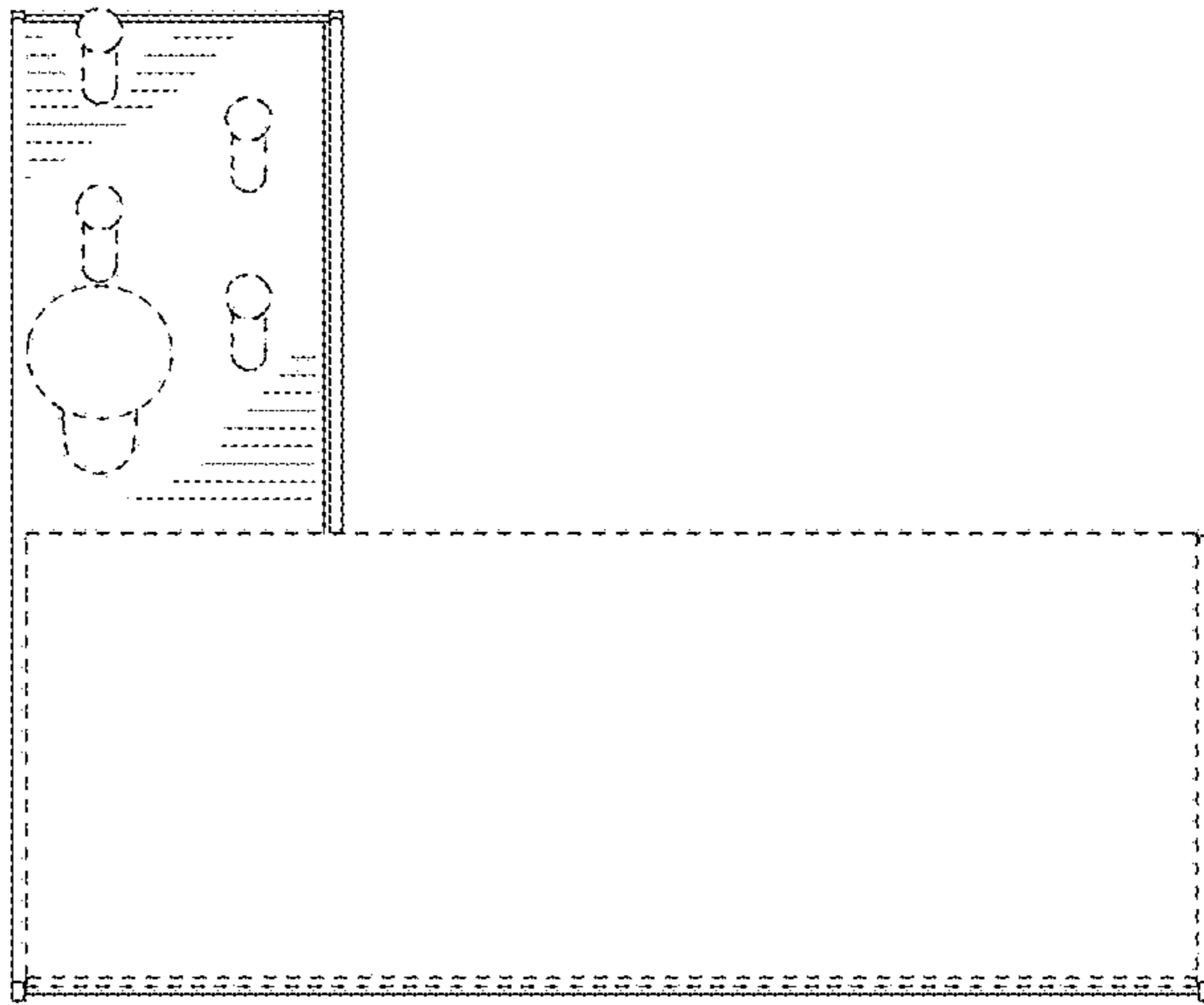


Fig. 2

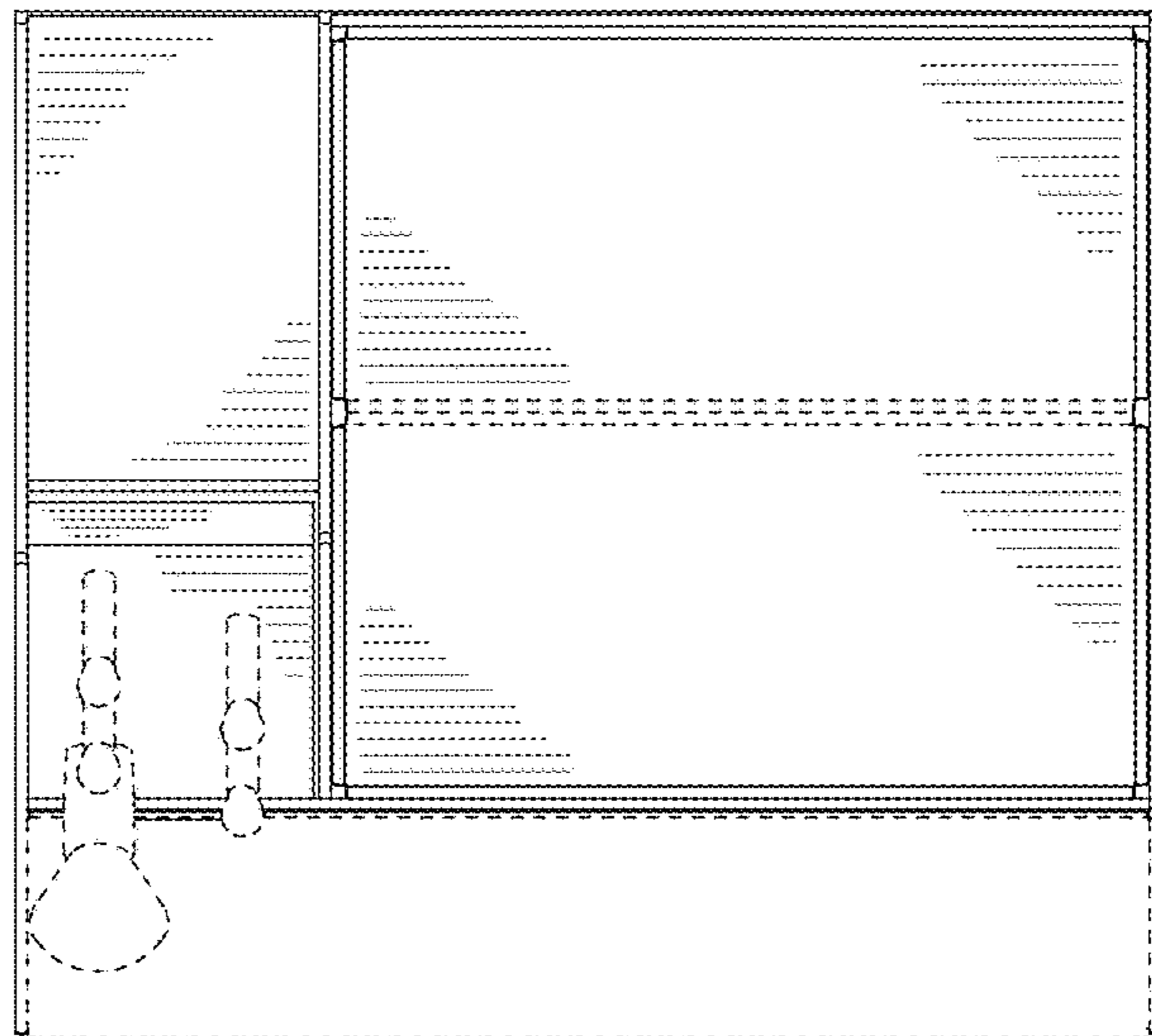


Fig. 3

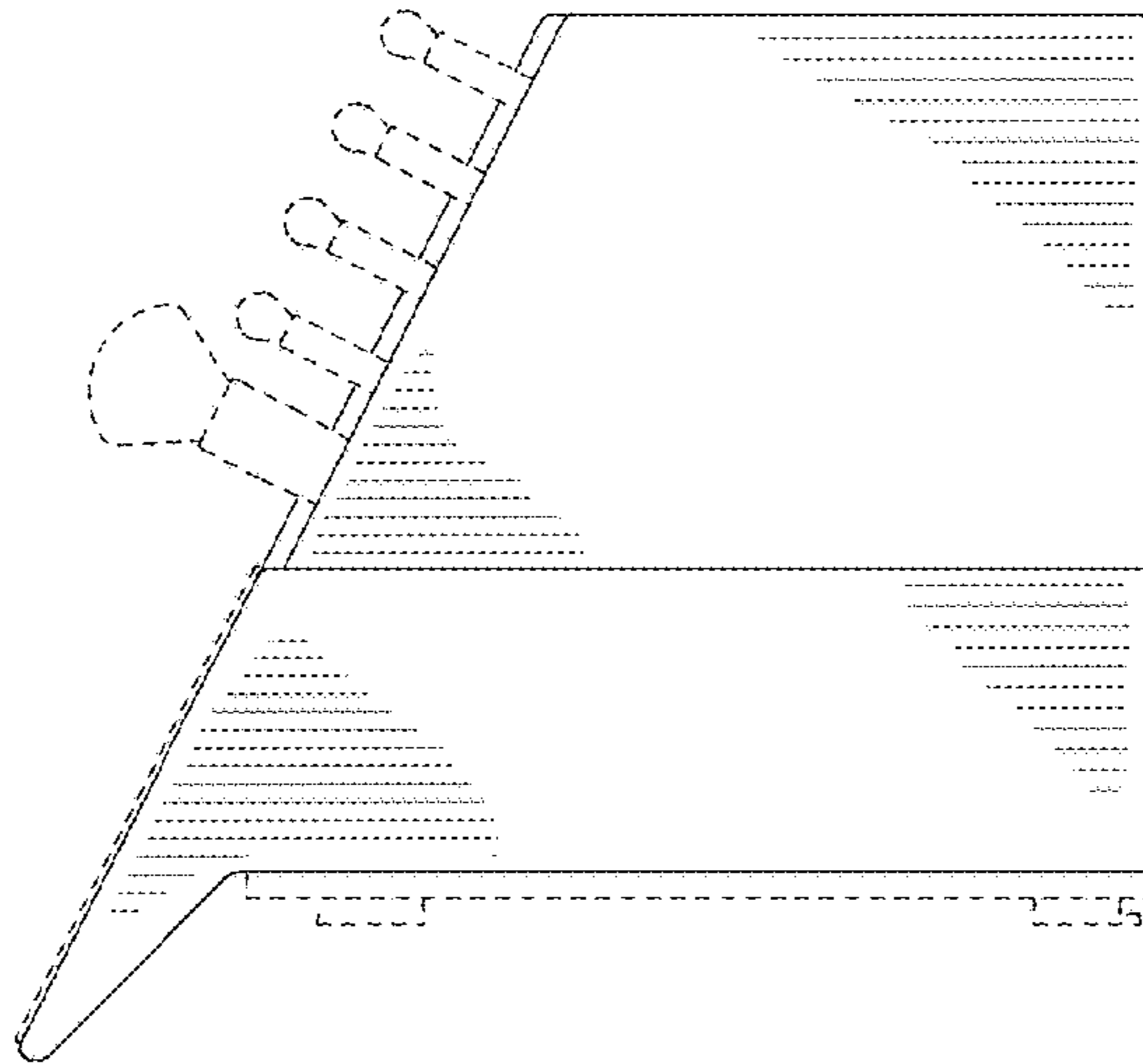


Fig. 4

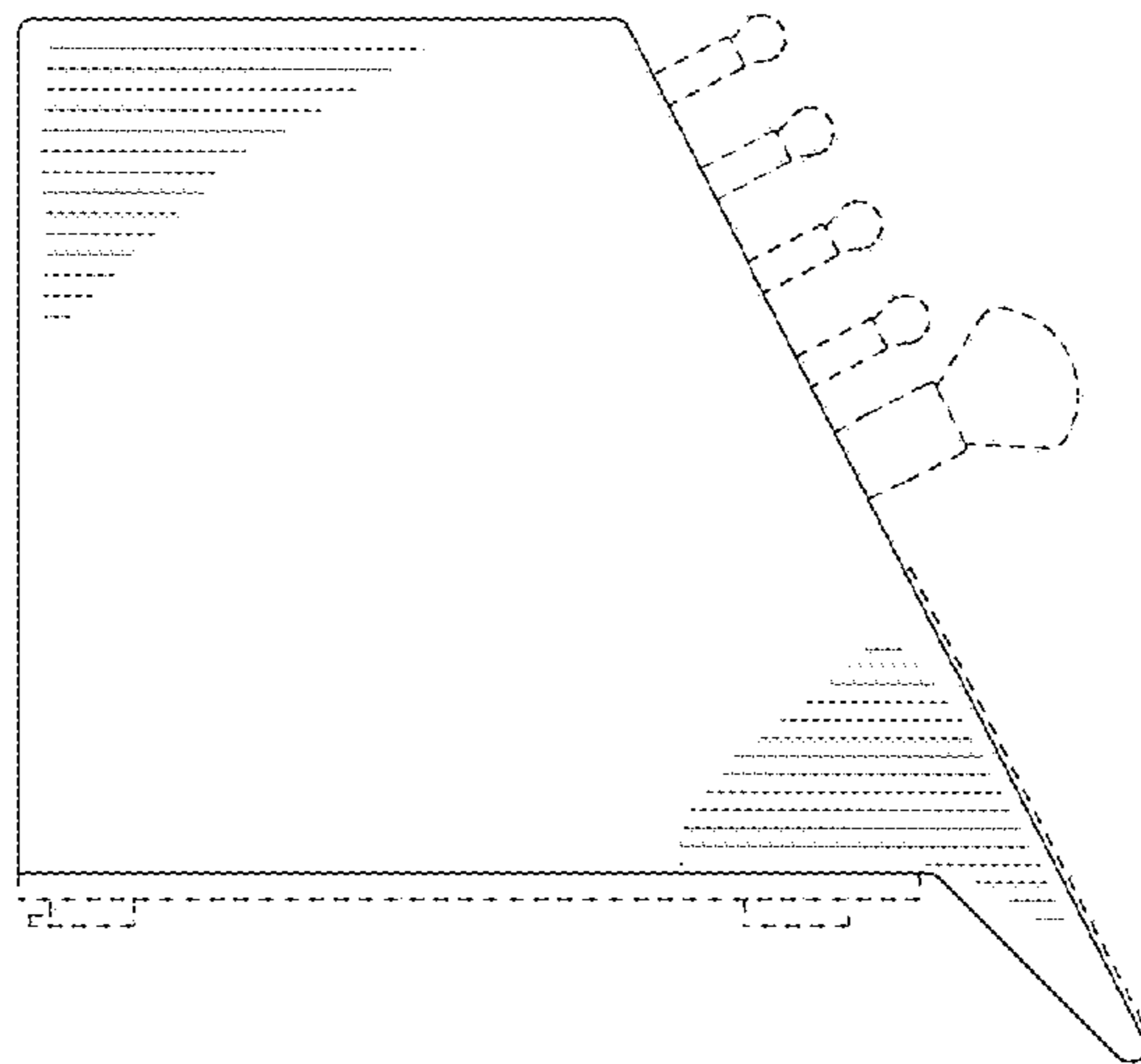


Fig. 5