



US00D851969S

(12) **United States Design Patent** (10) **Patent No.:** **US D851,969 S**
De Iuliis et al. (45) **Date of Patent:** **** Jun. 25, 2019**

(54) **DISPLAY STAND**
(71) Applicant: **Apple Inc.**, Cupertino, CA (US)
(72) Inventors: **Daniele De Iuliis**, San Francisco, CA (US); **Richard P. Howarth**, San Francisco, CA (US)
(73) Assignee: **Apple Inc.**, Cupertino, CA (US)
(**) Term: **15 Years**
(21) Appl. No.: **29/661,054**
(22) Filed: **Aug. 24, 2018**

5,579,906 A 12/1996 Fabbri et al.
D379,758 S 6/1997 Chu Lee
D380,914 S 7/1997 Dostie et al.
D409,416 S 5/1999 Au
6,109,279 A 8/2000 Kloss et al.
D457,366 S 5/2002 Turbett et al.
D478,740 S 8/2003 Kirshner
6,629,677 B2 10/2003 Kirshner
D497,805 S 11/2004 Gratiot
D502,338 S 3/2005 Zanghi et al.
D533,744 S * 12/2006 Gratiot D6/553
D544,727 S 6/2007 Valdez et al.
D553,122 S 10/2007 Solland
D569,155 S * 5/2008 Gratiot D6/553
D599,241 S 9/2009 Andre et al.
D641,713 S * 7/2011 Petrillo D13/168
D643,844 S 8/2011 Akana et al.
D662,939 S 7/2012 Akana et al.
D666,162 S * 8/2012 Petrillo D13/168
D696,259 S 12/2013 Howarth et al.

Related U.S. Application Data

(63) Continuation of application No. 29/590,951, filed on Jan. 13, 2017, now Pat. No. Des. 826,604.
(51) **LOC (11) Cl.** **06-06**
(52) **U.S. Cl.**
USPC **D6/682**
(58) **Field of Classification Search**
USPC D6/672, 673, 675, 682, 682.1, 682.2, D6/682.3, 682.4
CPC .. A47F 5/0081; A47F 3/00; A47F 3/06; A47F 3/14
See application file for complete search history.

(Continued)

Primary Examiner — Kelley A Donnelly
(74) *Attorney, Agent, or Firm* — Sterne, Kessler, Goldstein & Fox P.L.L.C.

(57) **CLAIM**

The ornamental design for a display stand, as shown and described.

DESCRIPTION

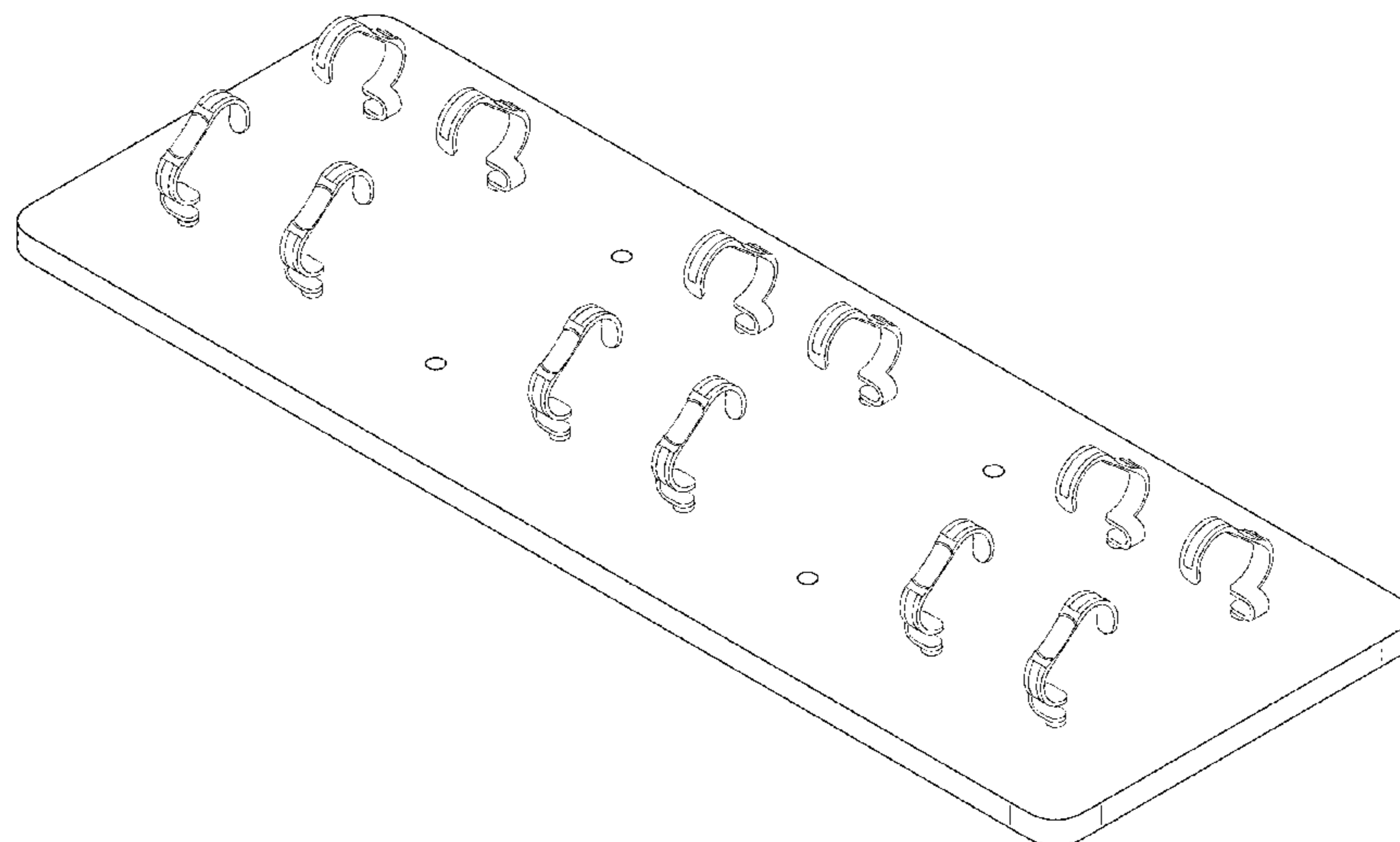
FIG. 1 is a top front perspective view of a display stand showing the claimed design;
FIG. 2 is a front view thereof;
FIG. 3 is a rear view thereof;
FIG. 4 is a left side view thereof;
FIG. 5 is a right side view thereof;
FIG. 6 is a top view thereof; and,
FIG. 7 is a bottom view thereof.
The broken lines in the figures show portions of the display stand that form no part of the claimed design.

(56) **References Cited**

U.S. PATENT DOCUMENTS

D143,795 S 2/1946 Case
D209,359 S * 11/1967 Schuler D6/682
D242,889 S 1/1977 Hillman et al.
D268,307 S * 3/1983 Korn D6/682.2
4,707,146 A 11/1987 Wein
5,136,557 A * 8/1992 Plawker A47F 7/022
248/116
5,181,608 A * 1/1993 Herzog A45C 11/12
206/301

1 Claim, 4 Drawing Sheets



(56)

References Cited

U.S. PATENT DOCUMENTS

D735,131 S 7/2015 Akana et al.
D740,060 S 10/2015 Akana et al.
D747,103 S * 1/2016 Amash D3/313
D752,907 S 4/2016 Denby et al.
D753,942 S 4/2016 Akana et al.
D760,517 S 7/2016 Lugo-Velazquez et al.
D762,648 S 8/2016 Akana et al.
D779,244 S 2/2017 Akana et al.
D789,123 S 6/2017 Akana et al.
D794,984 S 8/2017 Green
D800,735 S 10/2017 Akana et al.
D805,331 S 12/2017 De Iuliis et al.
D810,478 S 2/2018 Akana et al.
D811,783 S 3/2018 Janssens
D826,604 S 8/2018 De Iuliis et al.
D827,344 S * 9/2018 Dillon D6/682

* cited by examiner

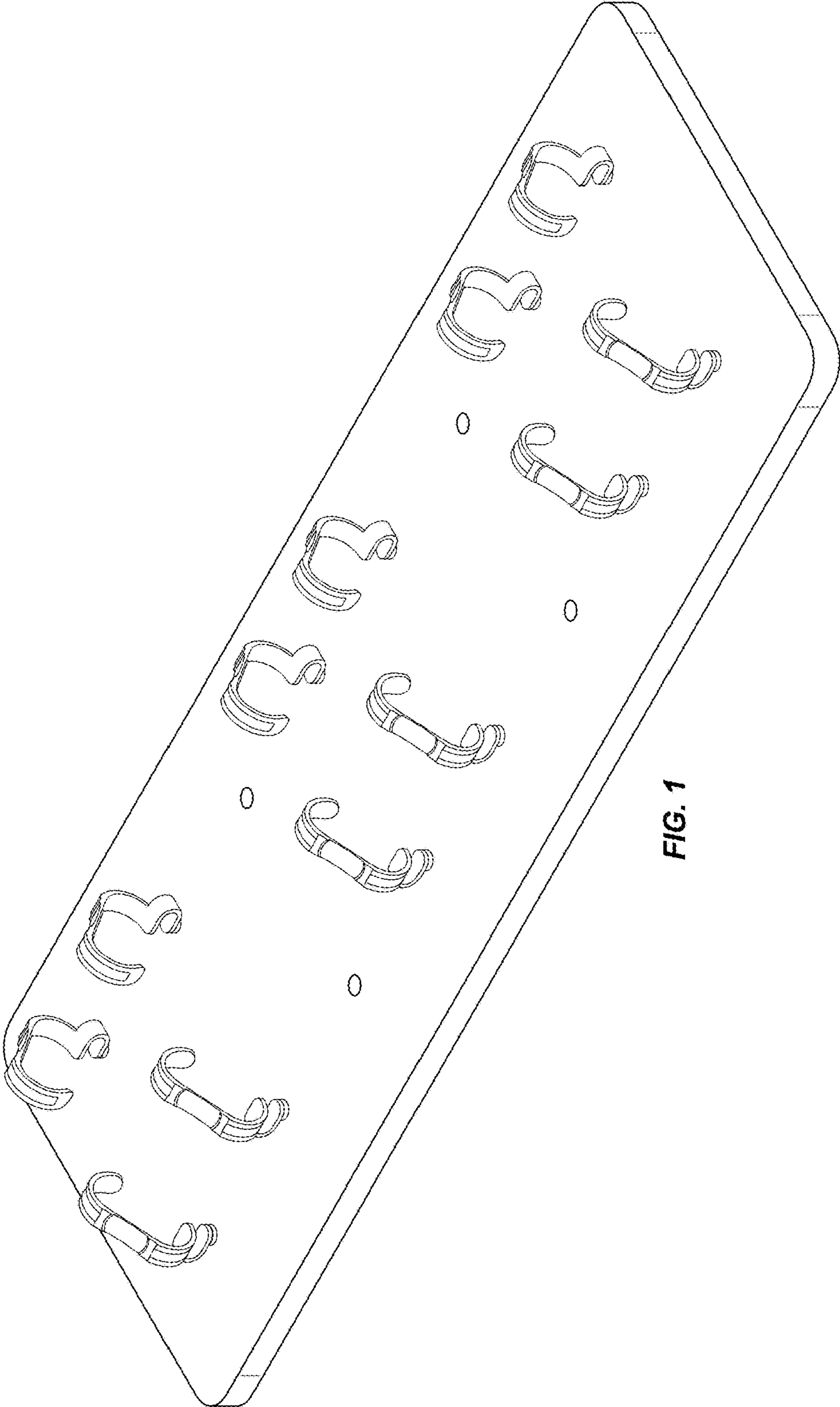


FIG. 1

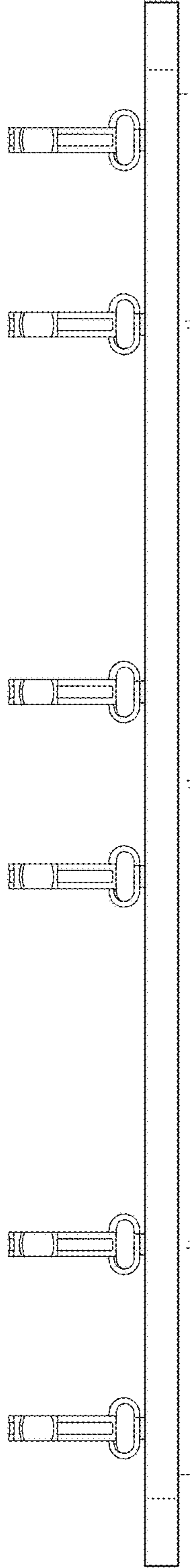


FIG. 2

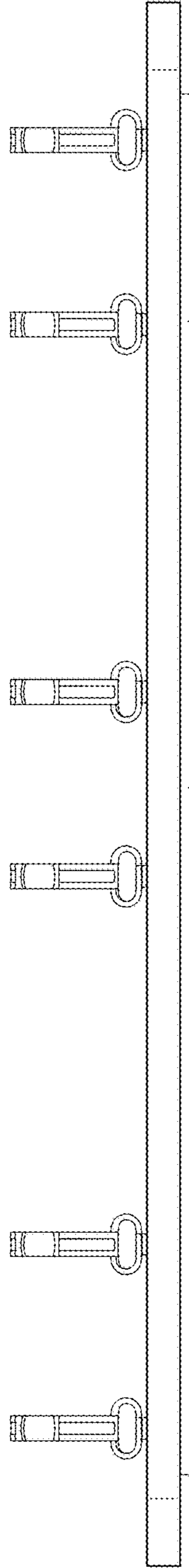


FIG. 3



FIG. 4

FIG. 5

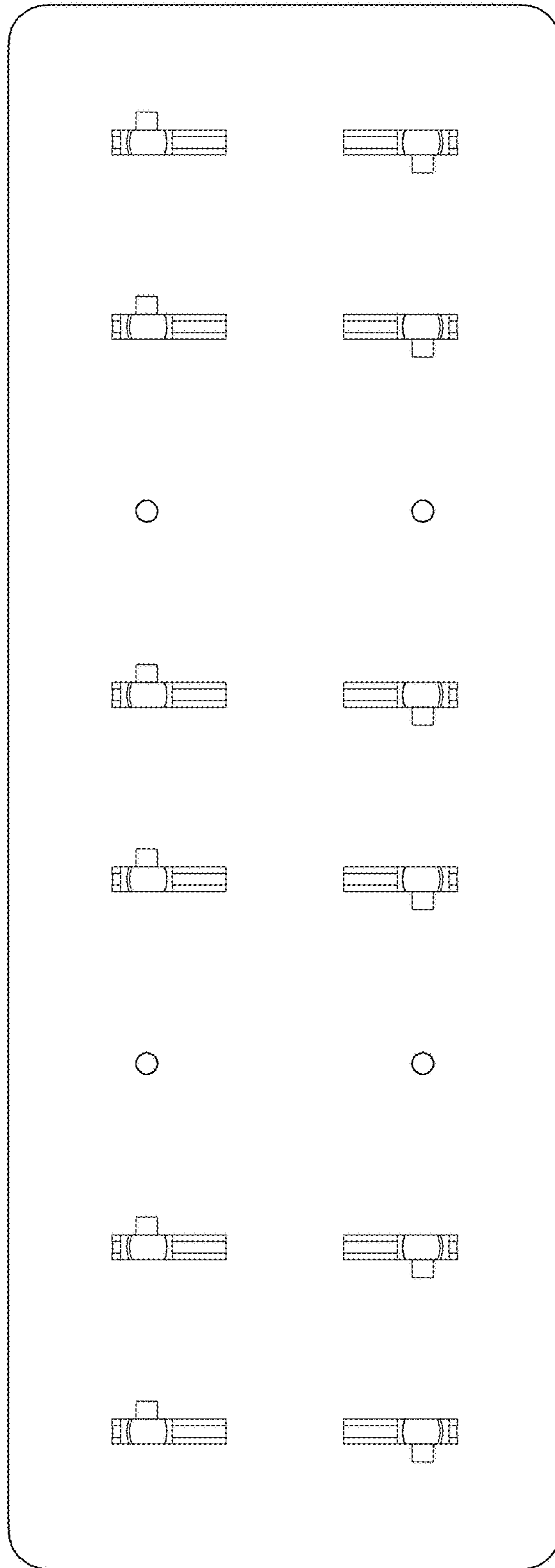


FIG. 6

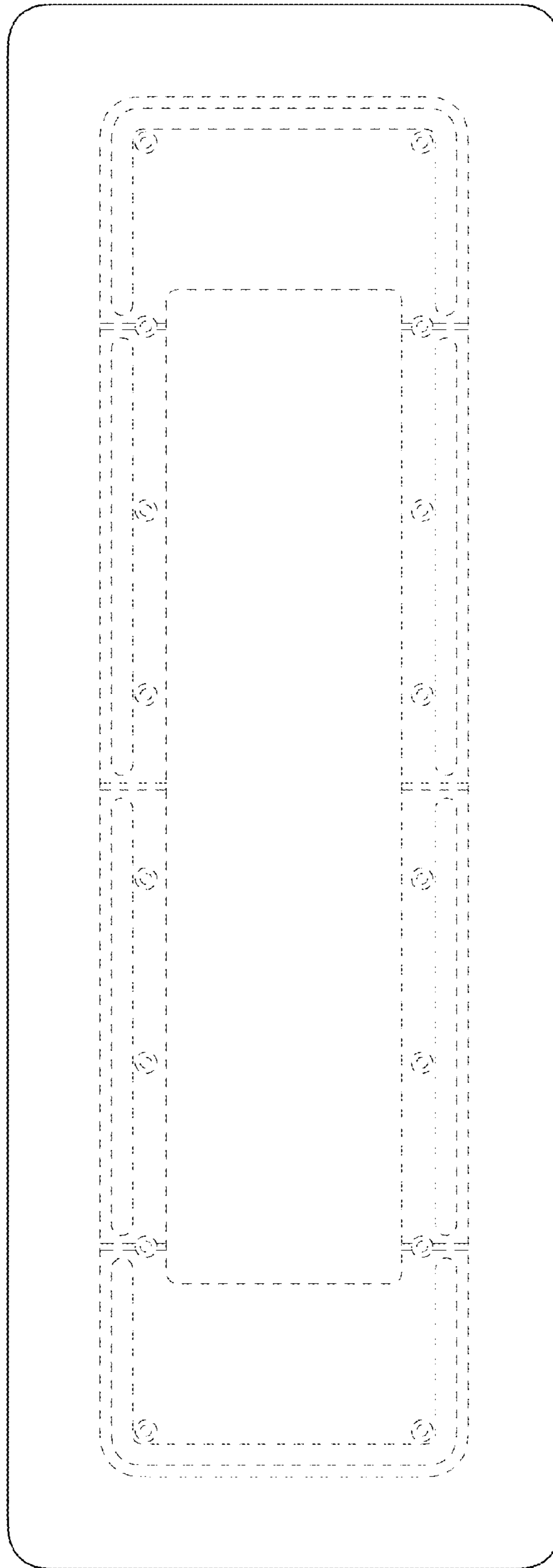


FIG. 7