



US00D851968S

(12) **United States Design Patent** (10) **Patent No.:** **US D851,968 S**  
**Eteläaho et al.** (45) **Date of Patent:** **\*\* Jun. 25, 2019**

(54) **COMBINED SHELVING SYSTEM AND CABINET**

(71) Applicant: **Notta Systems Oy**, Seinäjoki (FI)

(72) Inventors: **Janne Eteläaho**, Tuomikylä (FI); **Jari Kinnari**, Laihia (FI)

(73) Assignee: **NOTTA SYSTEMS OY**, Seinäjoki (FI)

(\*\*) Term: **15 Years**

(21) Appl. No.: **29/595,555**

(22) Filed: **Feb. 28, 2017**

(30) **Foreign Application Priority Data**

Aug. 30, 2016 (EM) ..... 003357359-0004

(51) **LOC (11) Cl.** ..... **06-04**

(52) **U.S. Cl.**  
USPC ..... **D6/681.2**

(58) **Field of Classification Search**  
USPC ..... D6/657, 662, 663, 668, 668.1, 672, 675,  
D6/675.1-675.4  
CPC ..... A47B 43/00; A47B 43/003; A47B 46/00;  
A47B 46/005; A47B 47/00; A47B 49/00;  
A47B 57/00; A47F 5/00; A47F 5/0018;  
A47F 5/01; A47F 5/16; A47F 7/00  
See application file for complete search history.

(56) **References Cited**

**U.S. PATENT DOCUMENTS**

D242,754 S \* 12/1976 Howard ..... D6/675.1  
D300,491 S \* 4/1989 Grossman ..... D34/21  
D393,160 S \* 4/1998 Canton Gongora ..... D6/672  
D399,370 S \* 10/1998 Crinion ..... D6/657

D403,897 S \* 1/1999 Crinion ..... D34/21  
D407,233 S \* 3/1999 Naas ..... D34/20  
D407,578 S \* 4/1999 Crinion ..... D34/19  
D423,814 S \* 5/2000 Belka ..... D6/663  
D427,454 S \* 7/2000 Munch ..... D13/184  
D459,611 S \* 7/2002 Lio ..... D6/663  
D543,723 S \* 6/2007 Brown ..... D34/19  
D548,482 S \* 8/2007 Miklitarian ..... D6/657  
D554,303 S \* 10/2007 Linehan ..... D30/160  
D616,221 S \* 5/2010 Nielsen ..... D6/672  
D663,134 S \* 7/2012 Wu ..... D6/708  
D710,636 S \* 8/2014 Lim ..... D6/703  
D775,871 S \* 1/2017 Volz ..... D6/675.1  
D784,052 S \* 4/2017 Rodriguez ..... D6/675.2  
D811,782 S \* 3/2018 Rodriguez ..... D6/675.2  
2017/0274521 A1 \* 9/2017 Jerome ..... B25H 3/022

\* cited by examiner

*Primary Examiner* — John Windmuller

*Assistant Examiner* — Steven J Czyz

(74) *Attorney, Agent, or Firm* — Fisherbroyles, LLP

(57) **CLAIM**

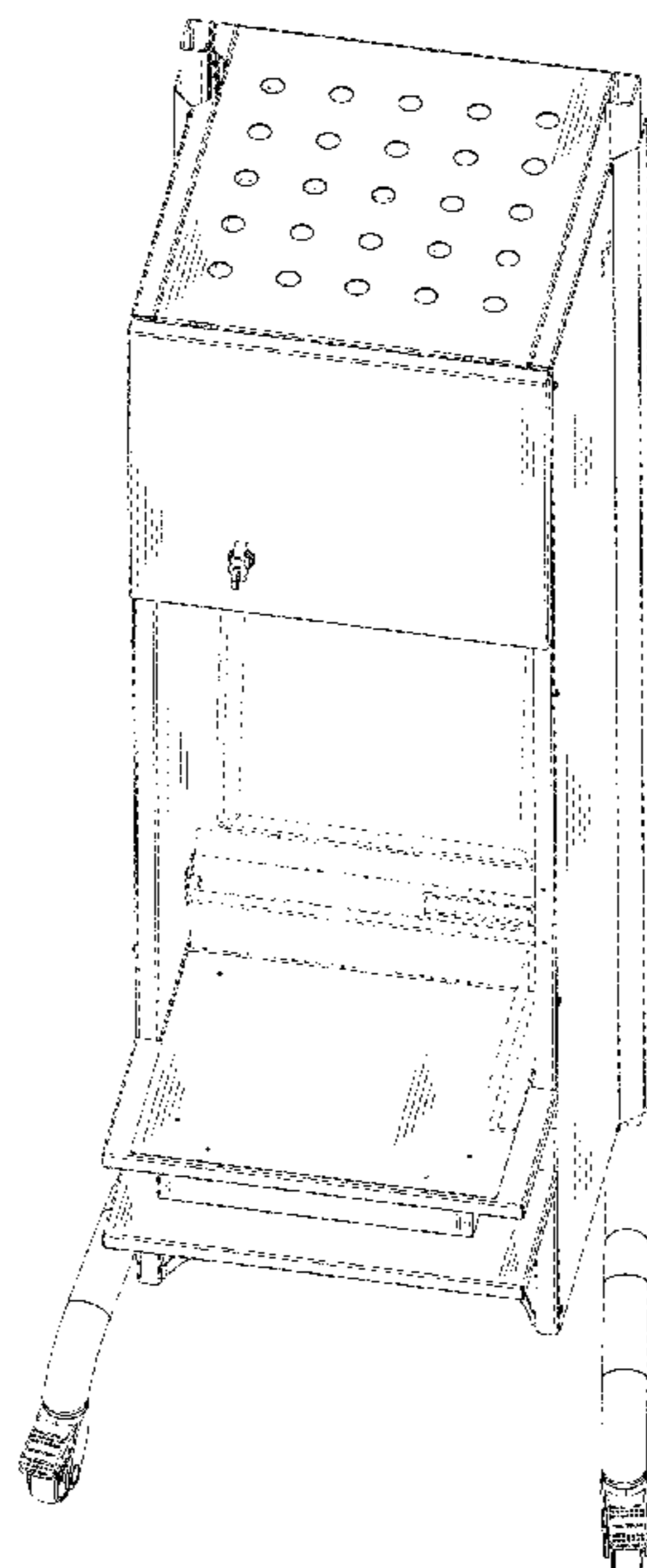
The ornamental design for a combined shelving system and cabinet, as shown and described.

**DESCRIPTION**

FIG. 1 is a front perspective view of the combined shelving system and cabinet;  
FIG. 2 is a rear perspective view thereof;  
FIG. 3 is a front view thereof;  
FIG. 4 is a rear view thereof;  
FIG. 5 is a right side view thereof;  
FIG. 6 is a top view thereof; and,  
FIG. 7 is a bottom view thereof.

The broken lines depict portions of the article that form no part of the claimed design.

**1 Claim, 7 Drawing Sheets**



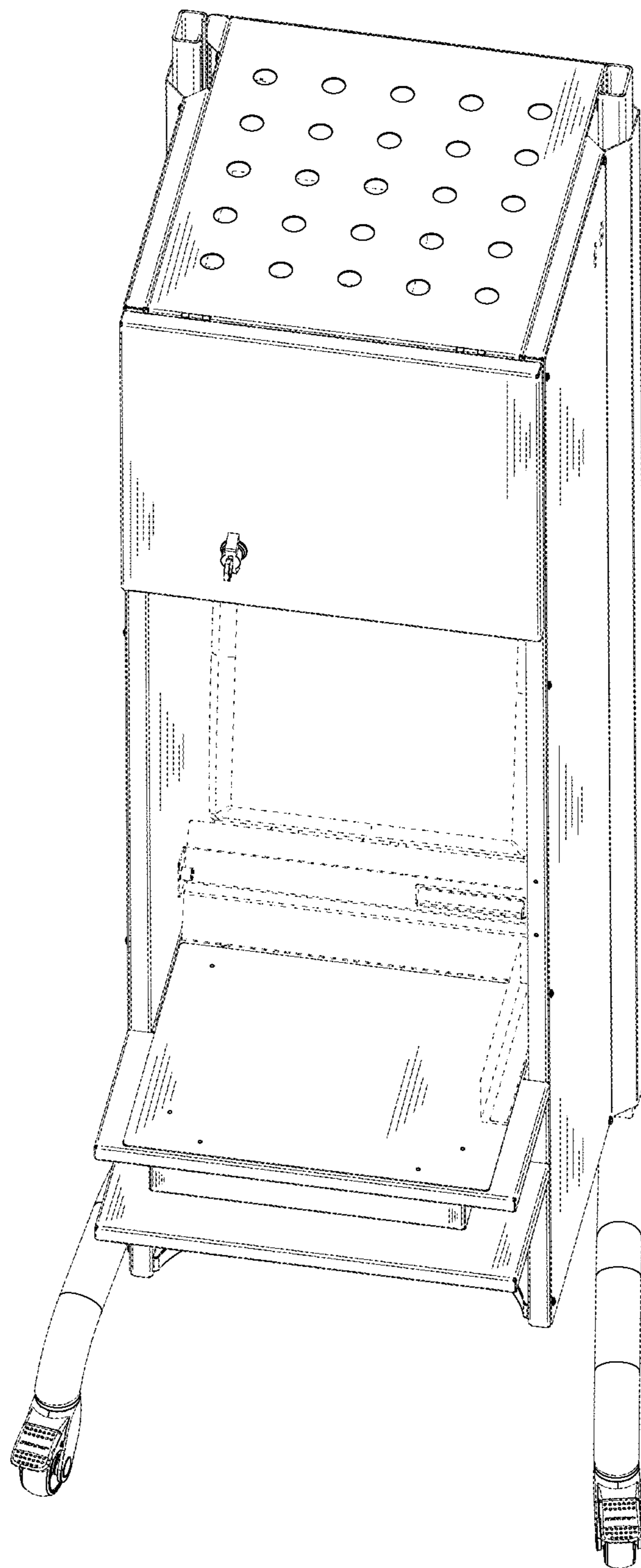


Fig. 1

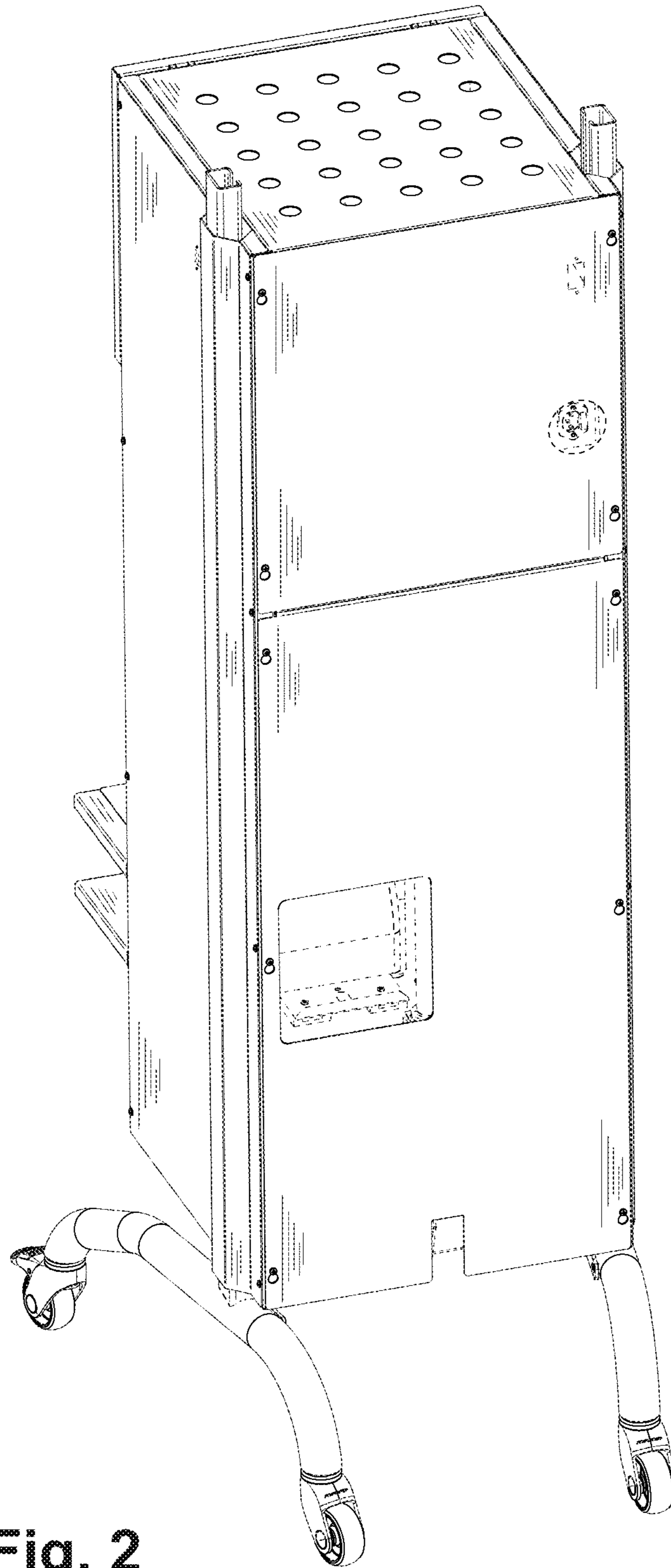


Fig. 2

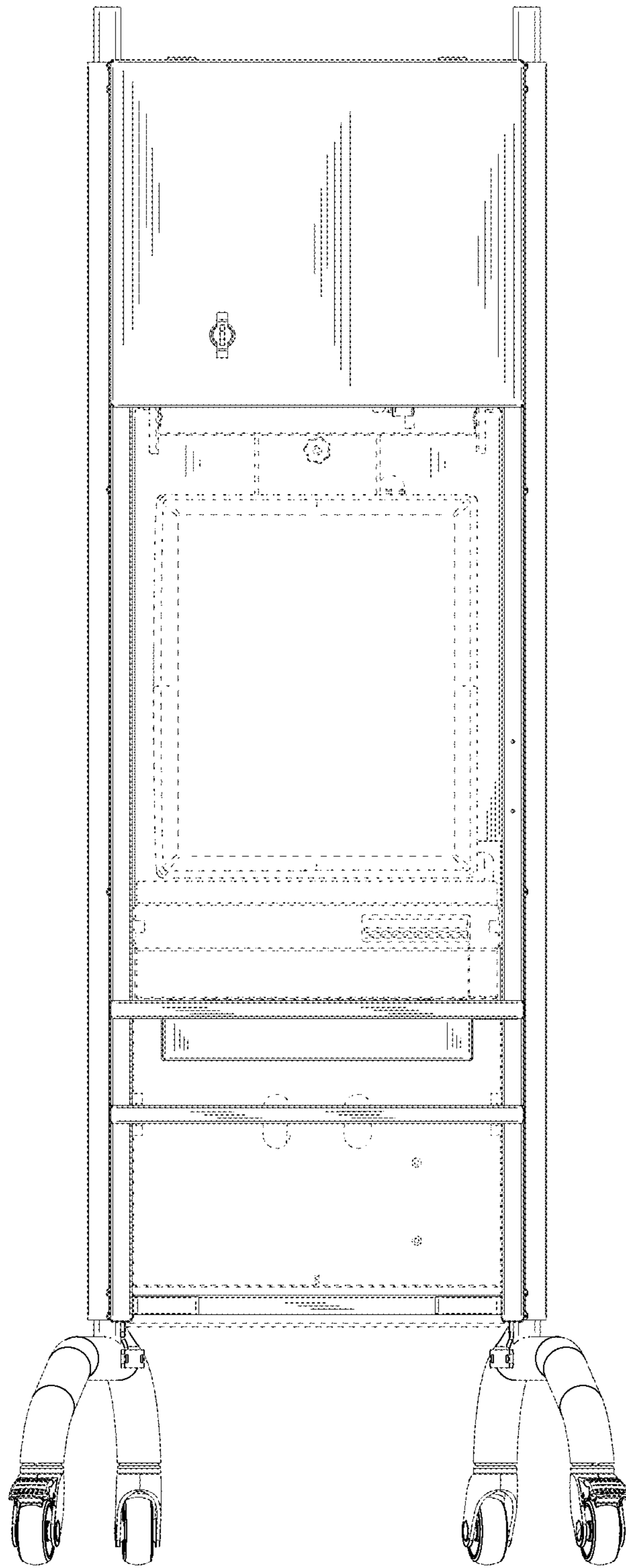


Fig. 3

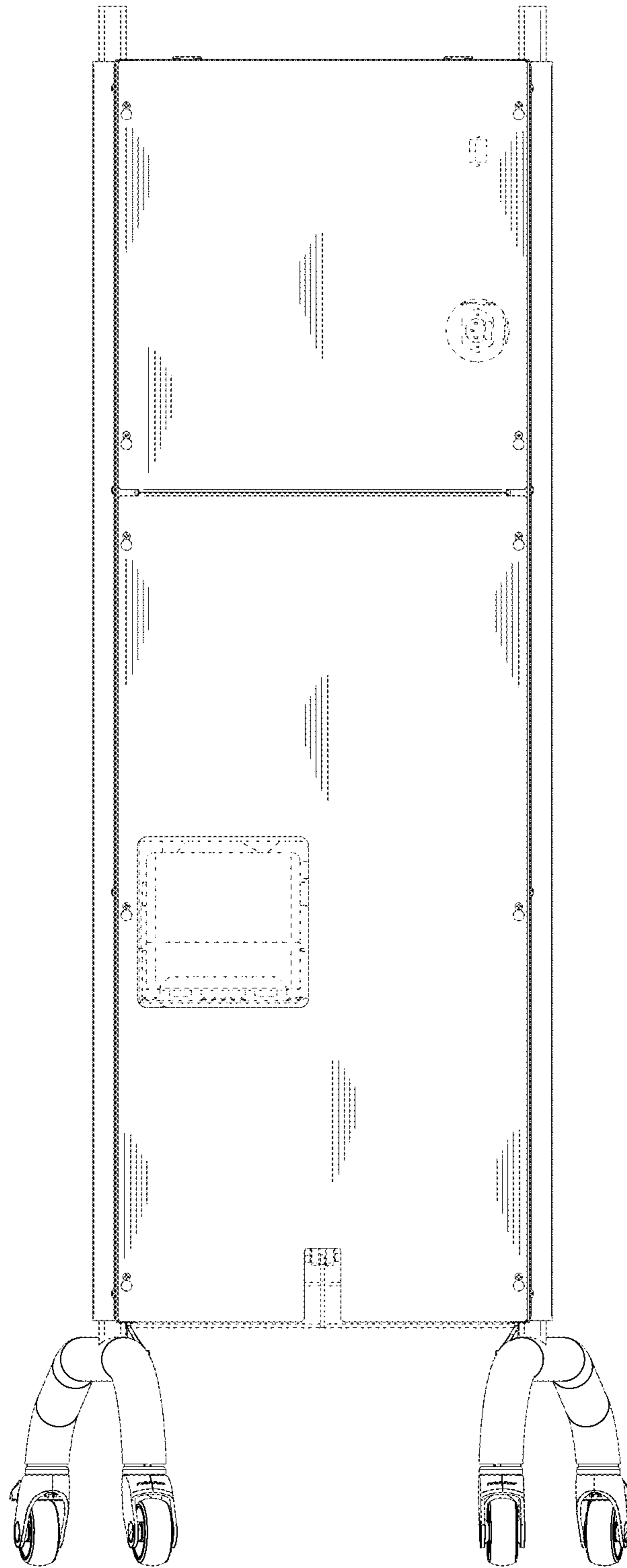


Fig. 4

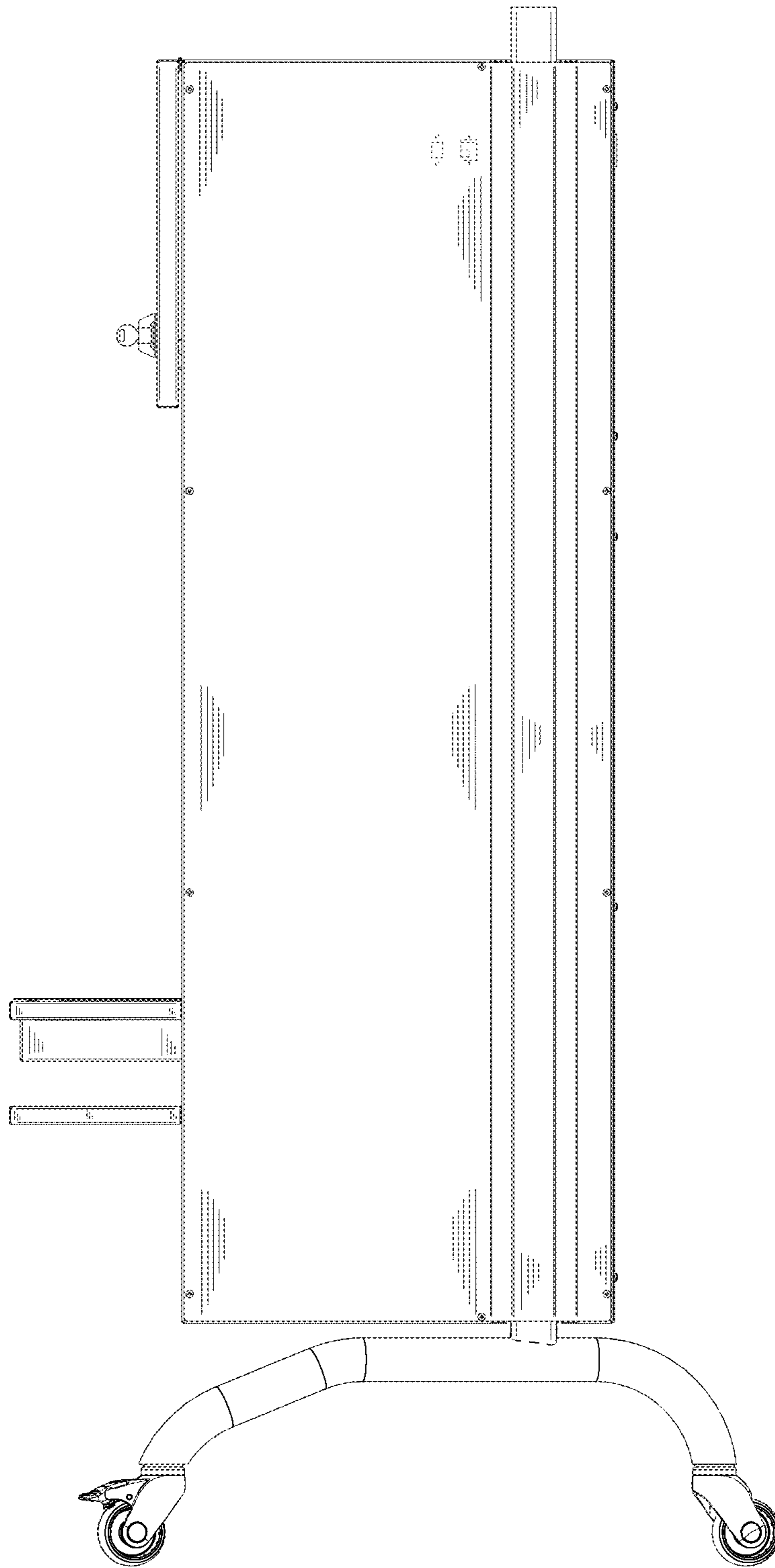
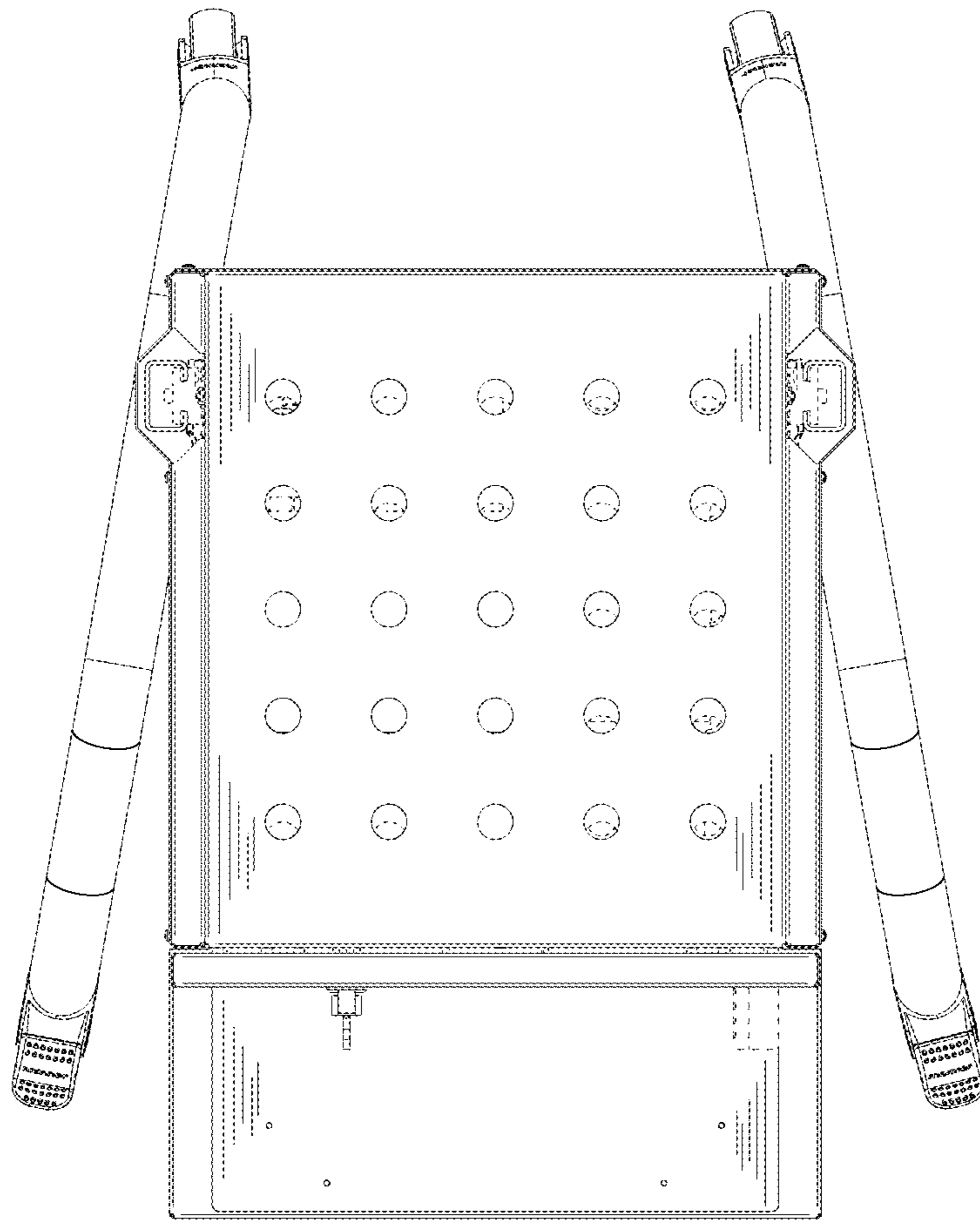


Fig. 5



**Fig. 6**

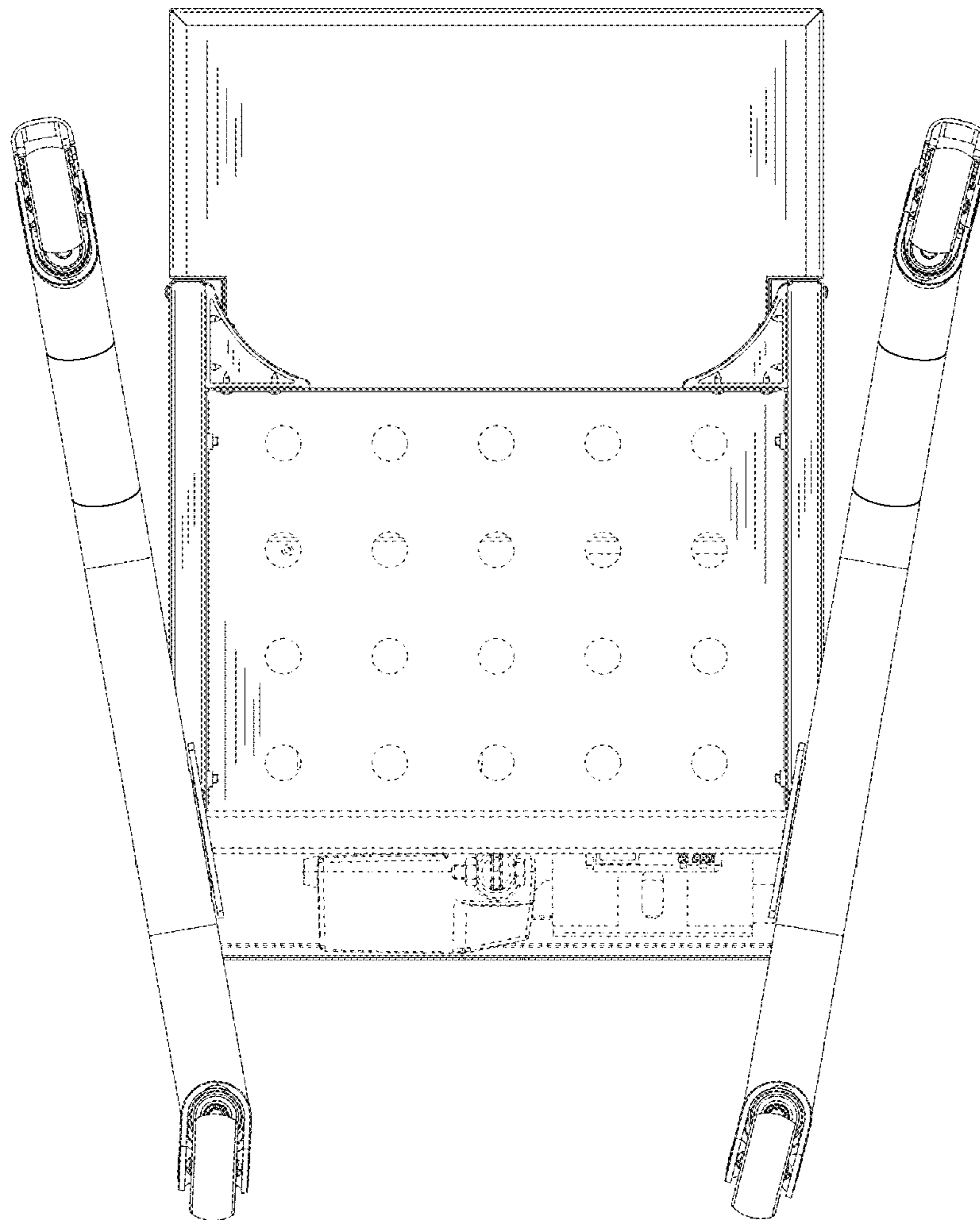


Fig. 7