

US00D851967S

(12) **United States Design Patent** (10) **Patent No.:** **US D851,967 S**  
**Lapointe** (45) **Date of Patent:** **\*\* Jun. 25, 2019**

(54) **APPARATUS FOR DISPLAYING ITEMS**

(71) Applicant: **Roch Lapointe**, Bury (CA)

(72) Inventor: **Roch Lapointe**, Bury (CA)

(\*\*) Term: **15 Years**

(21) Appl. No.: **29/635,473**

(22) Filed: **Jan. 31, 2018**

(30) **Foreign Application Priority Data**

Aug. 3, 2017 (CA) ..... 176305

(51) **LOC (11) Cl.** ..... **06-06**

(52) **U.S. Cl.**  
USPC ..... **D6/678.4**

(58) **Field of Classification Search**  
USPC ..... D6/315, 317, 319, 329, 672, 673, 675,  
D6/675.1, 678, 678.1, 678.4;  
D7/571-572, 600, 600.1-600.4  
CPC ..... A47B 73/00; A47B 73/002; A47B 73/004;  
A47B 47/00; A47B 47/0058; A47B  
47/25; A47F 5/00; A47F 5/0056  
See application file for complete search history.

(56) **References Cited**

**U.S. PATENT DOCUMENTS**

- 1,224,127 A 5/1917 Bartlett
- 3,018,898 A 1/1962 Frazelle
- 3,310,180 A 3/1967 Neagle
- 3,524,616 A 8/1970 Marschak
- 3,771,665 A 11/1973 Potter
- 1,991,686 A 11/1976 Mechachonis
- 4,068,761 A 1/1978 McCarthy
- 4,101,036 A 7/1978 Craig
- D251,579 S 4/1979 Cargaro
- 4,232,790 A 11/1980 Serrano
- 4,770,303 A 9/1988 Boyd
- 4,991,344 A 2/1991 Carney
- 5,487,476 A 1/1996 Barfield

- D369,041 S \* 4/1996 Lechleiter ..... D6/680.2
- 5,598,662 A 2/1997 Droste
- D413,456 S \* 9/1999 Huang ..... D6/674.1
- 5,947,306 A 9/1999 Chang
- D450,474 S \* 11/2001 Sokoloff ..... D6/681.3
- 6,595,377 B1 7/2003 Hetu
- 8,020,716 B2 9/2011 Vitale
- D692,010 S \* 10/2013 Verghese ..... D14/447
- D734,077 S \* 7/2015 Mori ..... D6/682.5
- D763,464 S \* 8/2016 Li ..... D24/227
- D763,937 S \* 8/2016 Brogardh ..... D15/199

(Continued)

**FOREIGN PATENT DOCUMENTS**

- CA 2730650 8/2012
- CA 2822985 2/2015

**OTHER PUBLICATIONS**

English Abstract of CN2049495(U), "Folding Type Multi-Purpose Supporter for Mosquito Net", published on Dec. 20, 1989.

(Continued)

*Primary Examiner* — Kelley A Donnelly  
(74) *Attorney, Agent, or Firm* — Bereskin & Parr  
LLP/S.E.N.C.R.L., s.r.l.

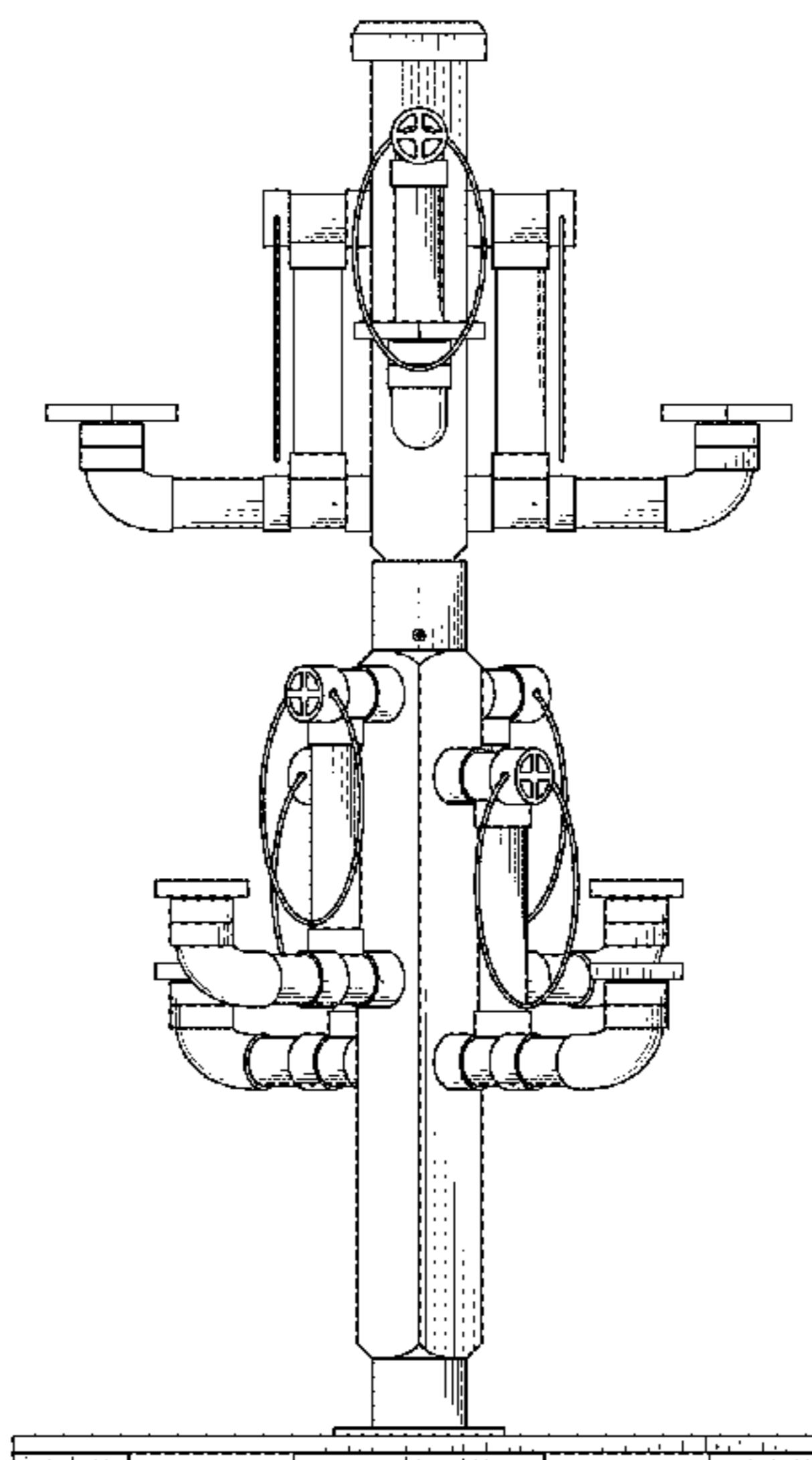
(57) **CLAIM**

The ornamental design for an apparatus for displaying items, as shown and described.

**DESCRIPTION**

FIG. 1 is a front view of an apparatus for displaying items; FIG. 2 is a side view of the apparatus for displaying items of FIG. 1; FIG. 3 is top view of the apparatus for displaying items of FIG. 1; and, FIG. 4 is bottom view of the apparatus for displaying items of FIG. 1.

**1 Claim, 3 Drawing Sheets**



(56)

**References Cited**

U.S. PATENT DOCUMENTS

D772,326	S *	11/2016	Zheng .....	D16/244
9,603,469	B2	3/2017	Lapointe	
D816,760	S *	5/2018	Zheng .....	D16/244
2006/0124817	A1	6/2006	White	
2008/0197087	A1	8/2008	Hunter	
2010/0224745	A1 *	9/2010	Orlov .....	F16M 7/00 248/188.3
2016/0360901	A1	12/2016	Lapointe	
2017/0150683	A1	6/2017	Lapointe	

OTHER PUBLICATIONS

English Abstract of CN201097532(Y), "Tower shape rack (a new viticultural rack)", published on Aug. 13, 2008.  
English Abstract of CN202233462(U), "Three-Layer large-scale sunshade", published on May 30, 2012.

English Abstract of CN202722115(U), "Assembled stereoscopic flowerpot", published on Feb. 13, 2013.

English Abstract of CN203313876(U), "Bird nest tree", published on Dec. 4, 2013.

English Abstract of CN203313877(U), "Bird nest frame", published on Dec. 4, 2013.

English Abstract of DE20313518(U1), "Plant protection device designed as concave transparent umbrella with central pole used as watering duct", published on Nov. 13, 2003.

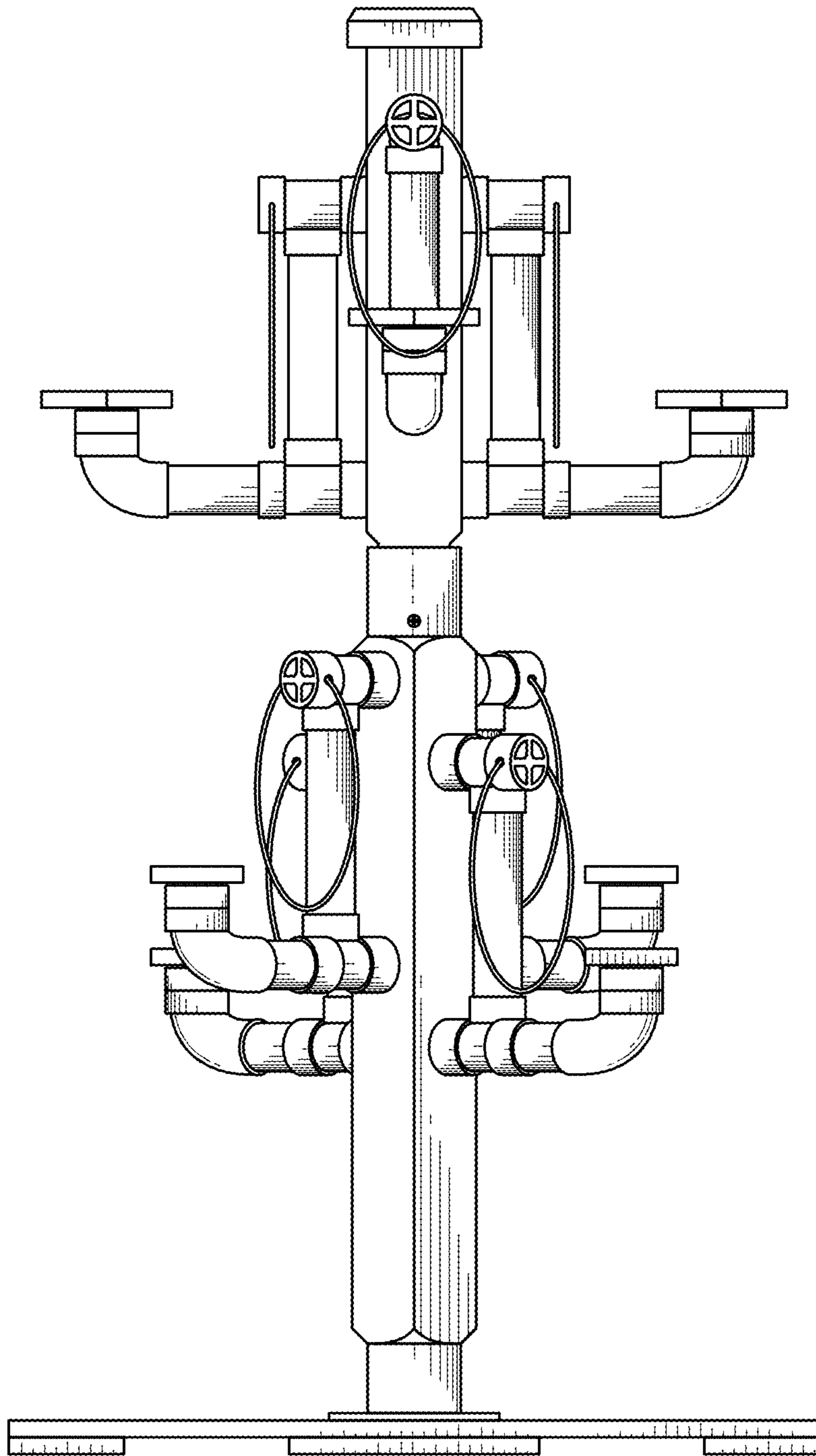
English Abstract of JP2001020566(A), "Fence", published on Jan. 23, 2001.

English Abstract of JPH11275966(A), "Flower Stand", published on Oct. 12, 1999.

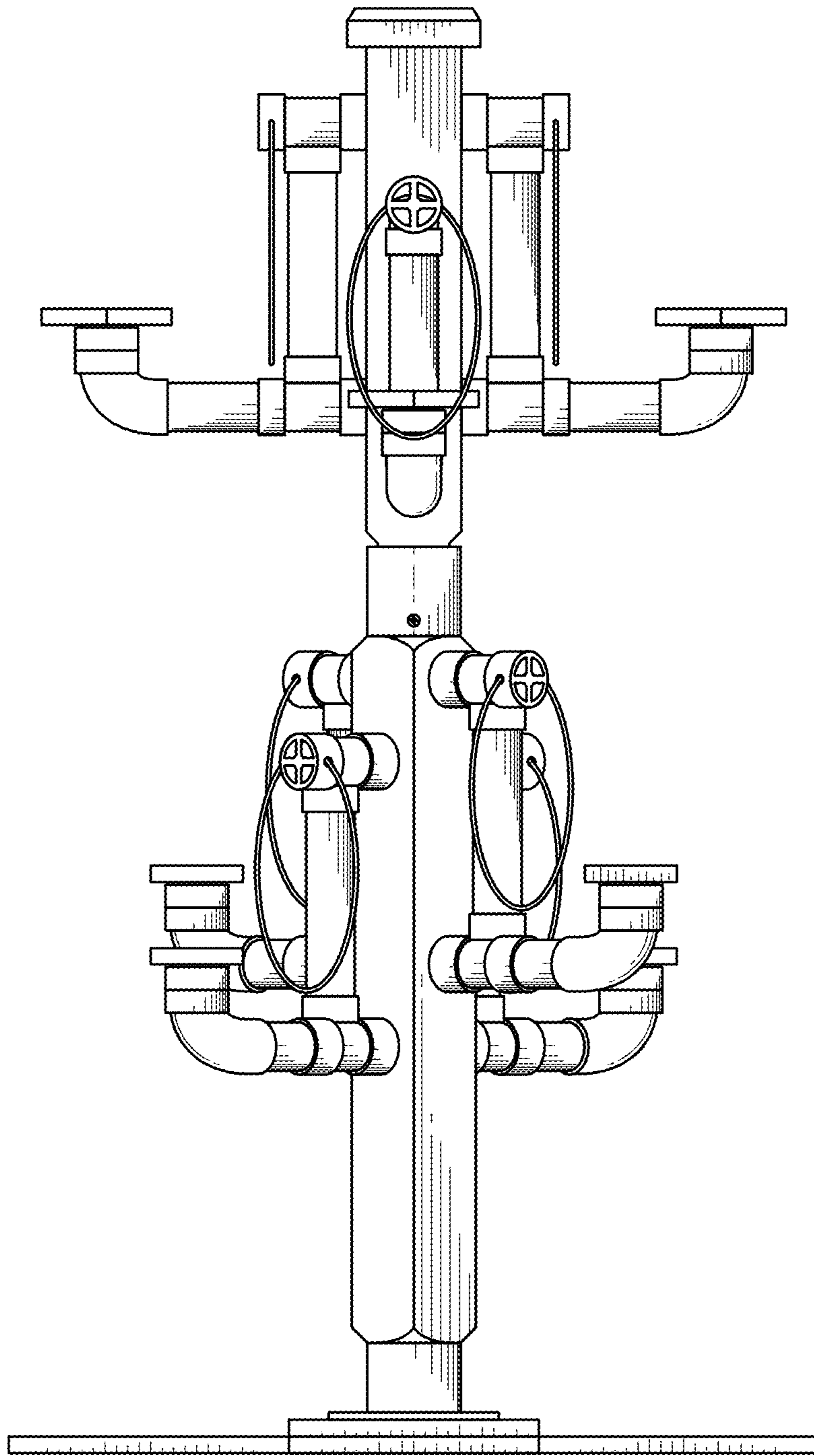
English Abstract of KR20130071940(A), "Clothes Horse", published on Jul. 1, 2013.

English Abstract of KR20130089451(A), "Clothes Horse", published on Aug. 12, 2013.

\* cited by examiner

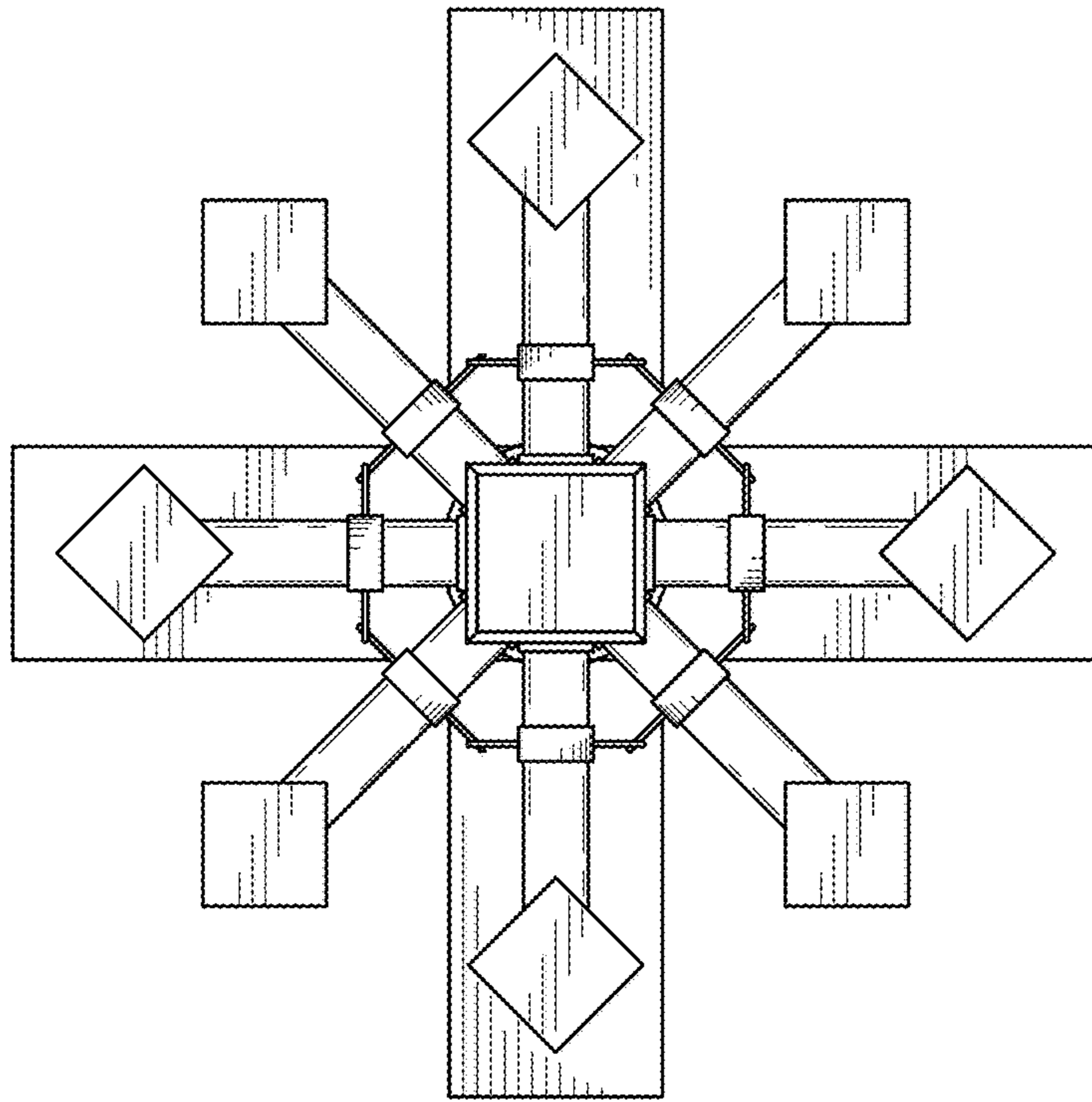


**FIG. 1**

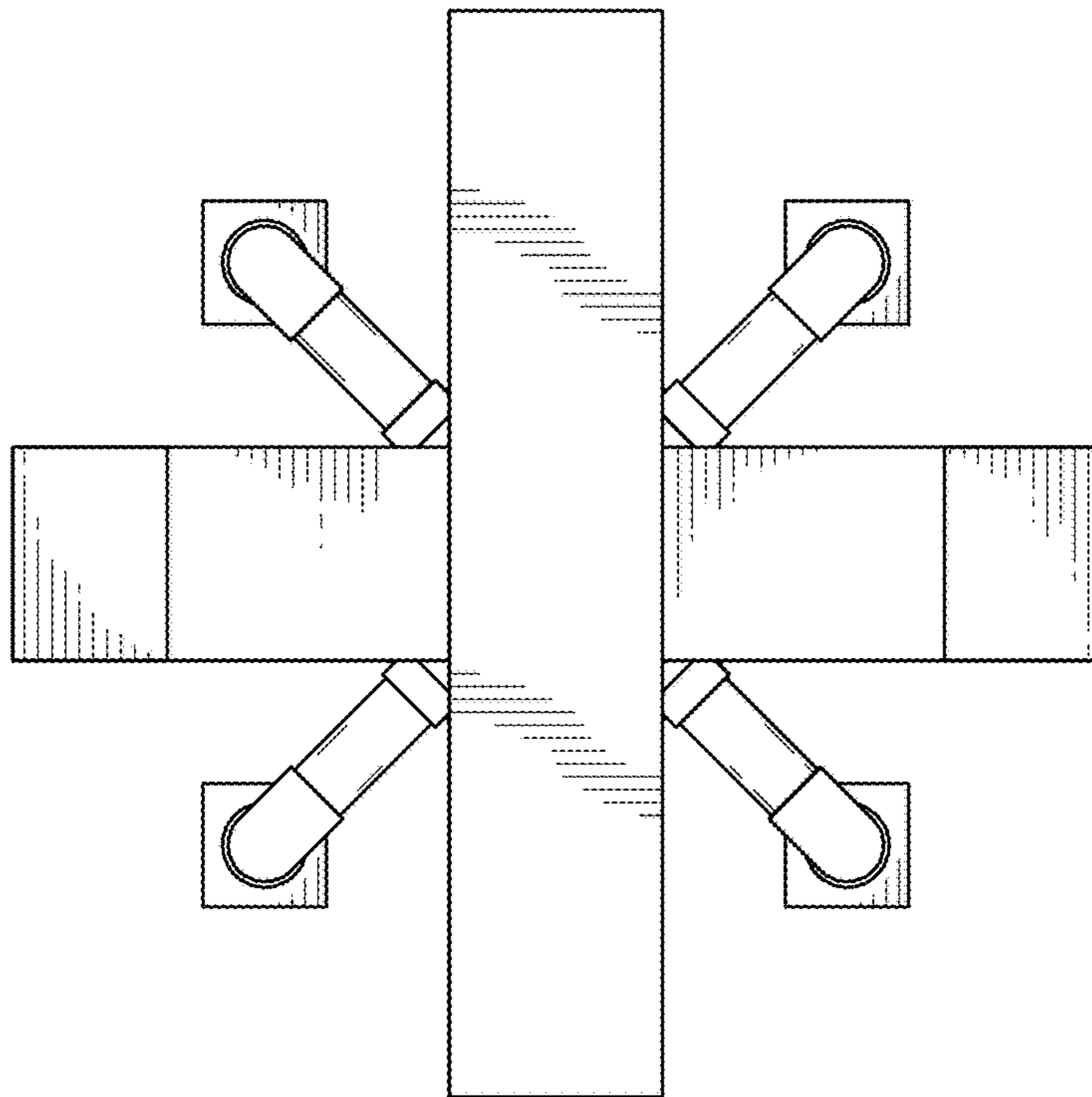


**FIG. 2**





**FIG. 3**



**FIG. 4**