



US00D851966S

(12) **United States Design Patent**
Olaya et al.

(10) **Patent No.:** **US D851,966 S**
(45) **Date of Patent:** **** Jun. 25, 2019**

- (54) **BEVERAGE DISPLAY**
- (71) Applicant: **The Coca-Cola Company**, Atlanta, GA (US)
- (72) Inventors: **Lauren A. Olaya**, Atlanta, GA (US); **Joshua Reed**, Atlanta, GA (US); **James Ravenhall**, London (GB); **Robert Christopher Young**, London (GB)
- (73) Assignee: **The Coca-Cola Company**, Atlanta, GA (US)
- (**) Term: **15 Years**
- (21) Appl. No.: **29/624,752**
- (22) Filed: **Nov. 3, 2017**
- (51) **LOC (11) Cl.** **06-06**
- (52) **U.S. Cl.**
USPC **D6/675.1**
- (58) **Field of Classification Search**
USPC D6/329, 673, 675, 675.1, 675.2, 675.3, D6/675.4, 678.4, 680.2, 680.3, 702
CPC A47B 47/00; A47B 47/02; A47B 55/02; A47B 73/00; A47B 73/002; A47F 5/00; A47F 5/0018; A47F 5/0025; A47F 5/0056; A47F 5/01
See application file for complete search history.

- 5,313,891 A * 5/1994 Suttles A47B 47/022 108/108
- D363,840 S * 11/1995 Weshler D6/683.1
- D394,360 S * 5/1998 Geier D34/21
- D456,641 S * 5/2002 Carrabba D6/675.1
- D492,861 S * 7/2004 Lenger D6/675.3
- D492,862 S * 7/2004 Gay, II D6/675.1
- D554,905 S * 11/2007 Kumazawa D6/661
- D560,402 S * 1/2008 Lev D6/675.1
- D573,811 S * 7/2008 Weigand D6/682
- D608,115 S * 1/2010 Trinh D6/675.1
- D629,229 S * 12/2010 Horn D20/19

(Continued)

Primary Examiner — Kelley A Donnelly

(74) *Attorney, Agent, or Firm* — Tiffany N. Logan; Parks IP Law LLC

(57) **CLAIM**

We claim the ornamental design for a beverage display, as shown and described.

DESCRIPTION

FIG. 1 is a perspective view of an embodiment of the beverage display in accordance with our new design; FIG. 2 is a right view thereof; FIG. 3 is a left view thereof; FIG. 4 is a front view thereof; FIG. 5 is a back view thereof; FIG. 6 is a top view thereof; FIG. 7 is a bottom view thereof; FIG. 8 is a perspective view of another embodiment of the beverage display in accordance with our new design; FIG. 9 is a right view thereof; FIG. 10 is a left view thereof; FIG. 11 is a front view thereof; FIG. 12 is a back view thereof; FIG. 13 is a top view thereof; and, FIG. 14 is a bottom view thereof.

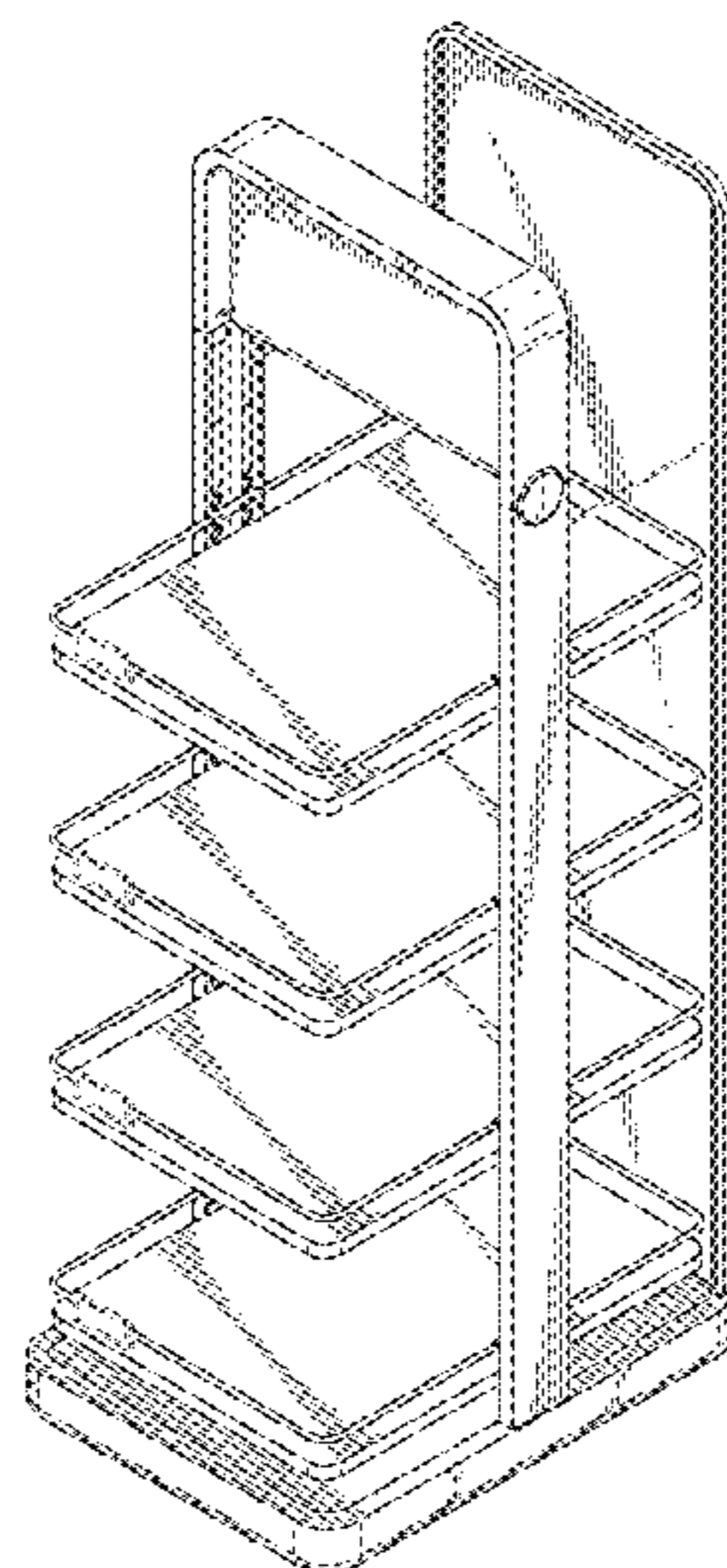
The even-length broken lines showing the remainder of the beverage display form no part of the claimed design.

(56) **References Cited**

U.S. PATENT DOCUMENTS

- D267,692 S * 1/1983 Kates D6/675.1
- D269,754 S * 7/1983 Kates D6/675.1
- D284,049 S * 6/1986 Nathan D19/92
- D301,952 S * 7/1989 Everett D6/675.1
- 5,000,329 A * 3/1991 Luberto A47F 5/11 211/132.1
- D318,585 S * 7/1991 Duff D6/675.1
- 5,240,127 A * 8/1993 Levin A47B 87/0223 211/133.1

1 Claim, 11 Drawing Sheets



(56)

References Cited

U.S. PATENT DOCUMENTS

D633,313	S *	3/2011	Ma	D6/678.1
D638,639	S *	5/2011	Ma	D6/678.1
D644,039	S *	8/2011	Naples	D6/675.1
8,079,313	B2 *	12/2011	Sparkowski	A47F 5/0018
				108/110
D655,108	S *	3/2012	Majrani	D6/675.1
D657,591	S *	4/2012	Sanchez	D6/675.1
D680,350	S *	4/2013	Peake-Atkins	D6/662.1
D685,851	S *	7/2013	Offenkrantz	D19/90
D691,838	S *	10/2013	Hinkle	A47F 11/10
				D6/675.1
D693,608	S *	11/2013	Cheng	D6/675.1
D706,559	S *	6/2014	Muller	D6/678.1
D723,843	S *	3/2015	Lai	D6/675.1
D730,665	S *	6/2015	Murakami	D6/675.3
D738,143	S *	9/2015	Guzzone	D6/675.4
D784,738	S *	4/2017	Wang	D6/683.1
D798,635	S *	10/2017	Aguilera	D6/675.2
D811,782	S *	3/2018	Rodriguez	D6/675.2
10,021,995	B2 *	7/2018	Volz	A47F 5/118
D837,576	S *	1/2019	Murthy	D6/675.4
2014/0230295	A1 *	8/2014	Hawkins	A47F 5/0025
				40/606.03

* cited by examiner

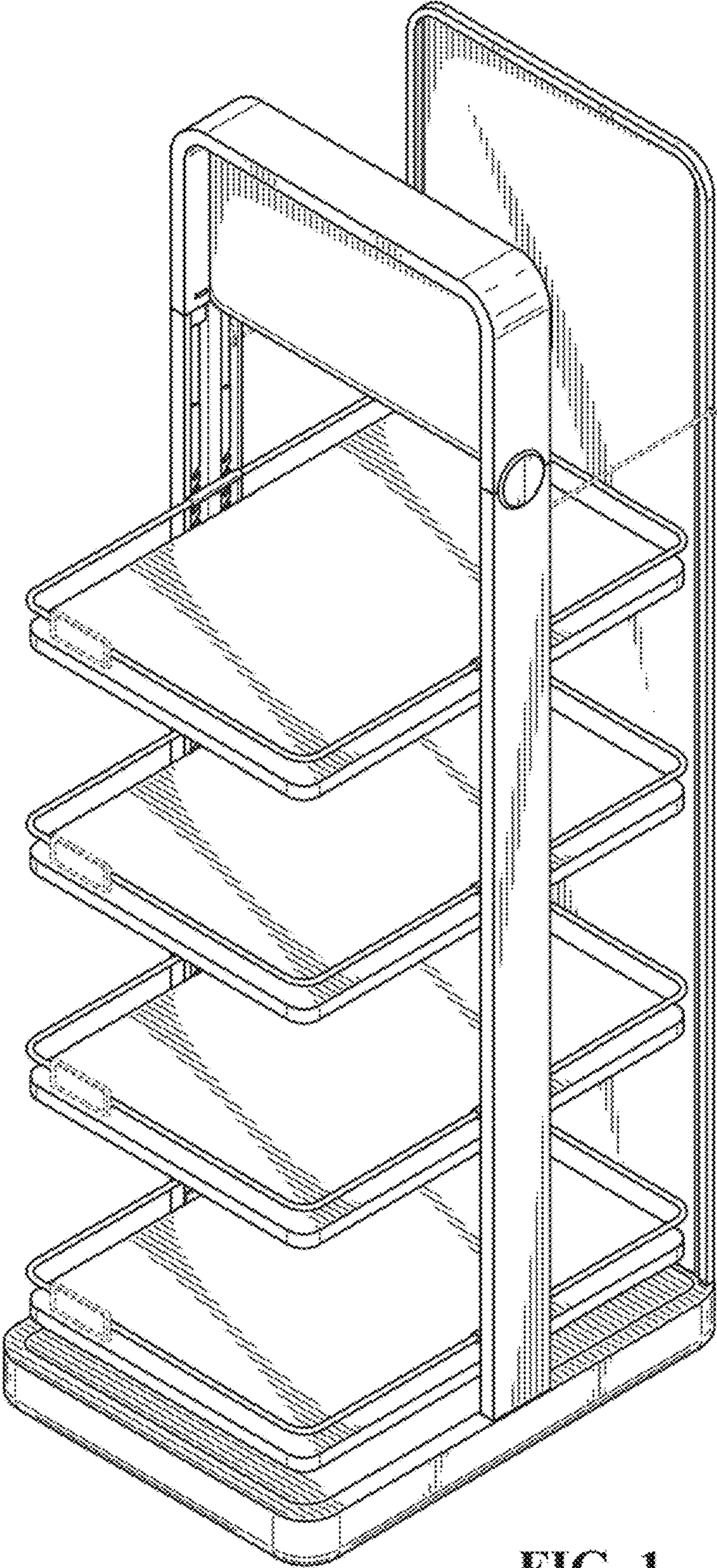


FIG. 1

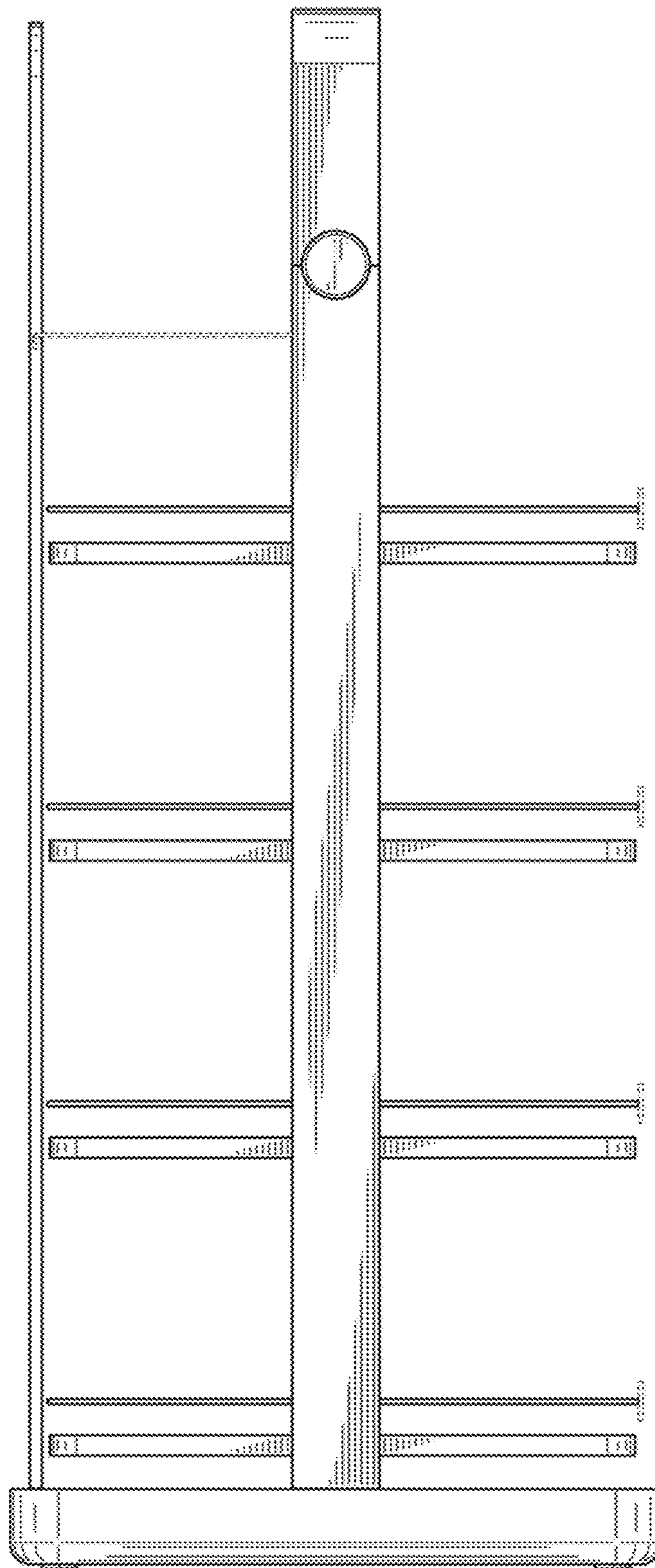


FIG. 2

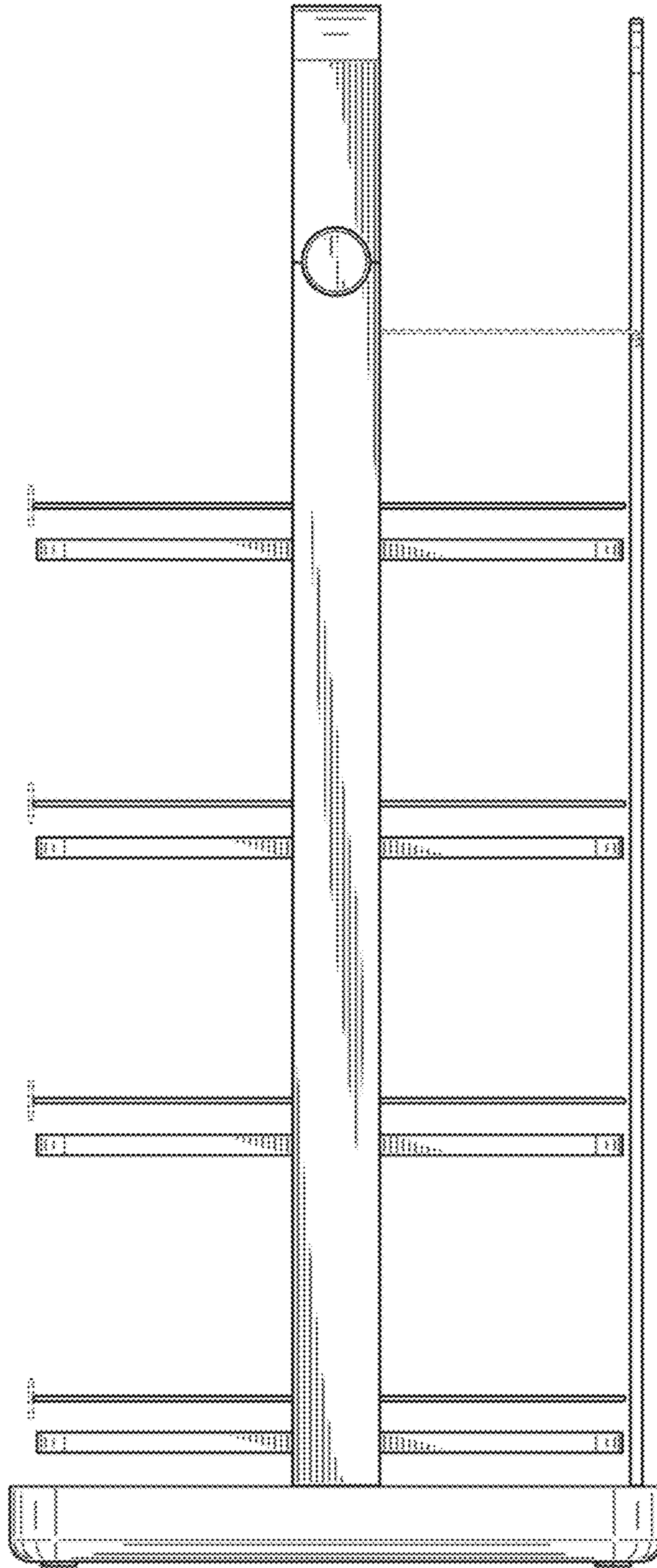


FIG. 3

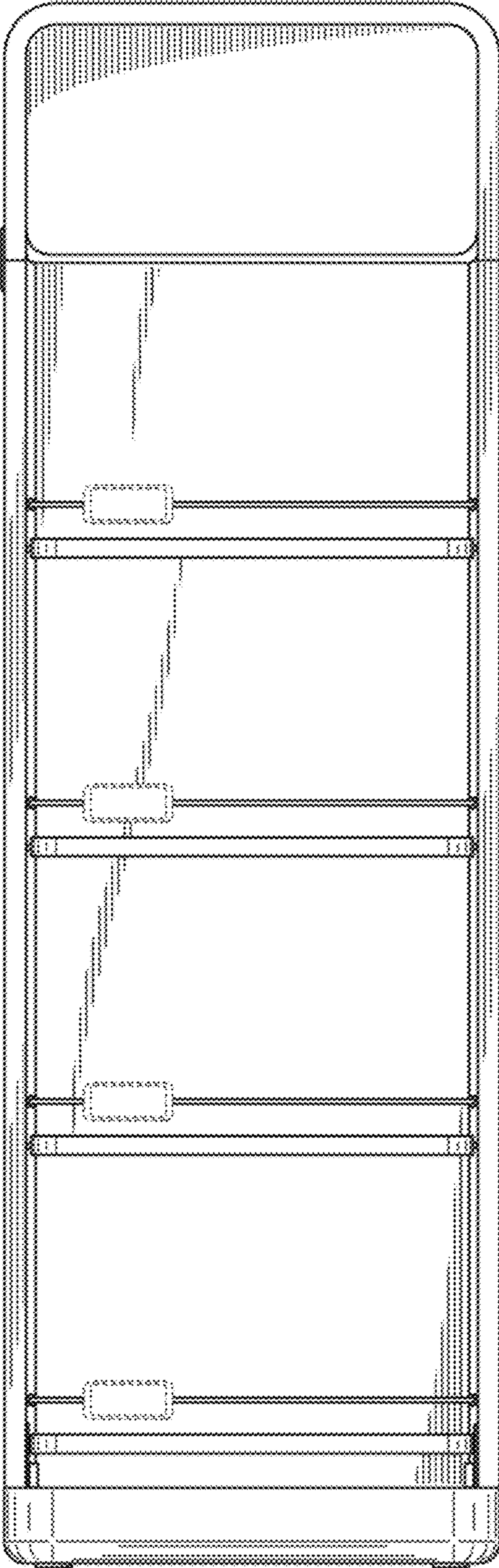


FIG. 4

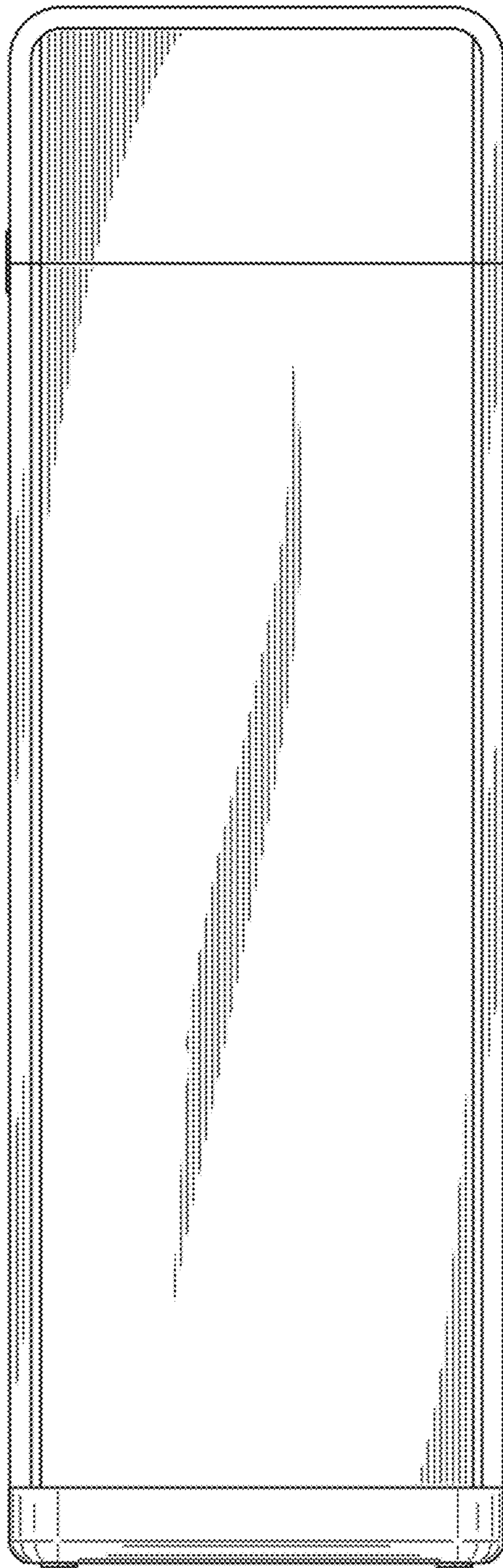


FIG. 5

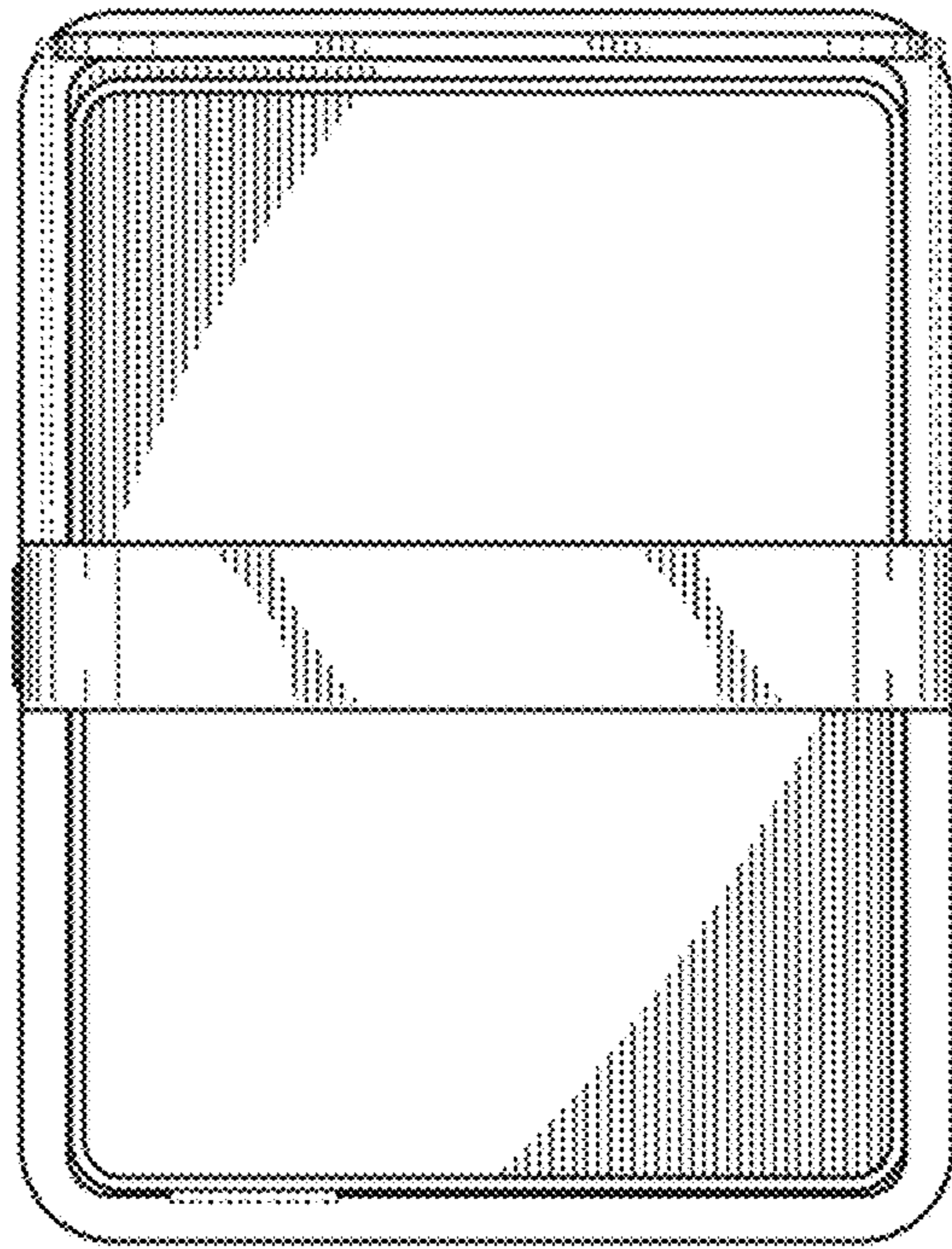


FIG. 6

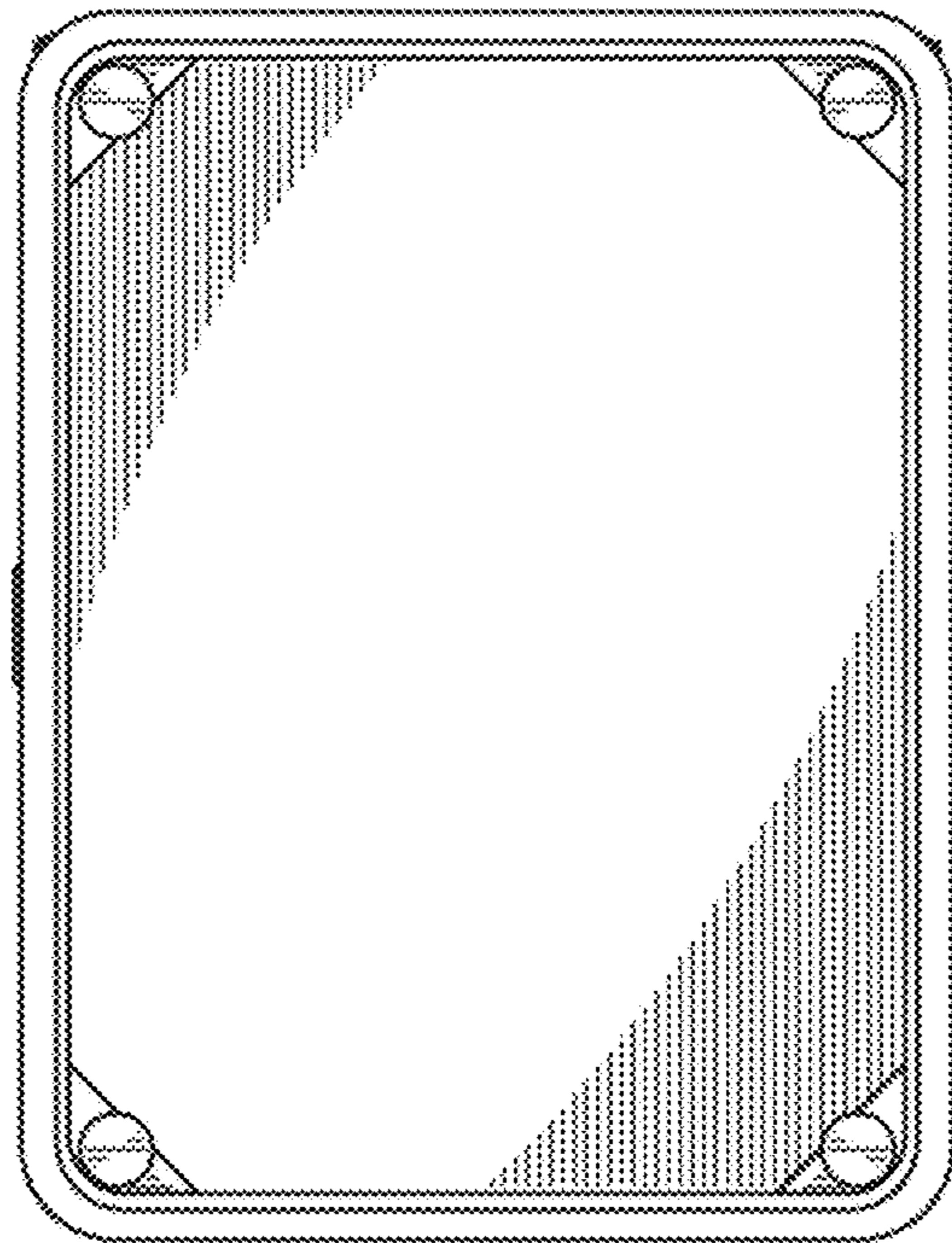


FIG. 7

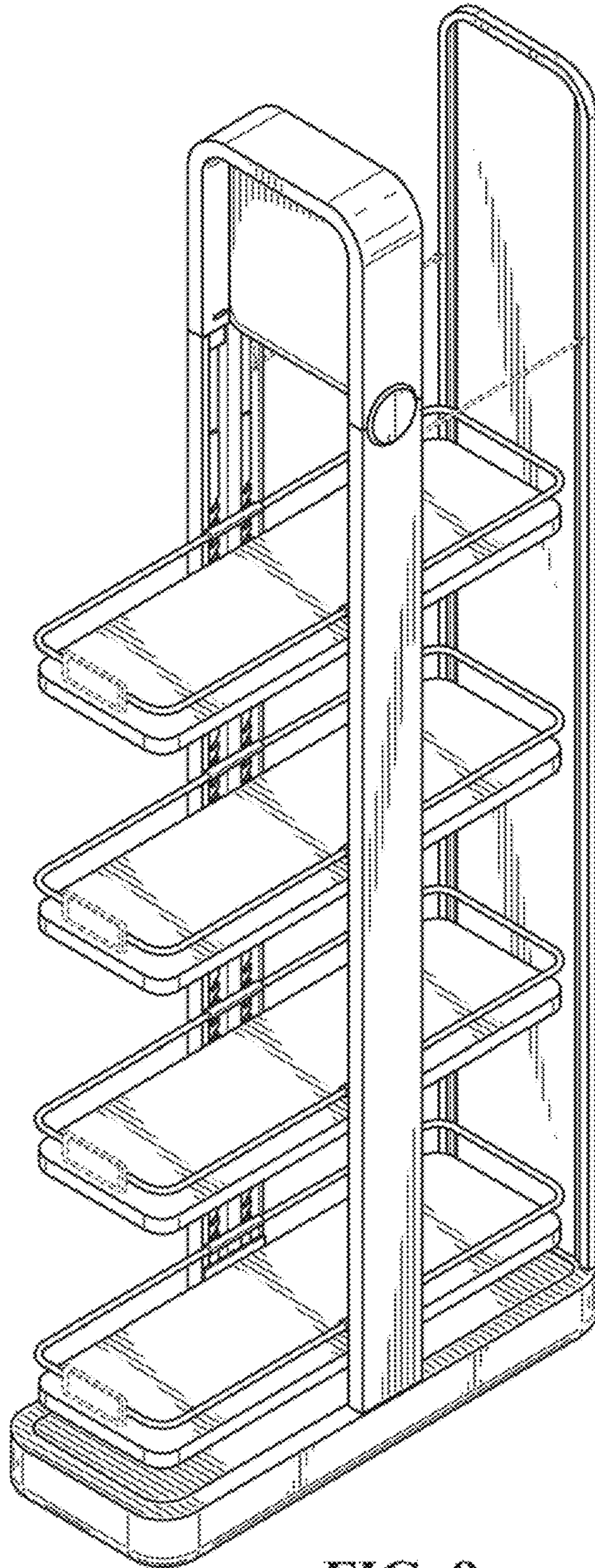


FIG. 8

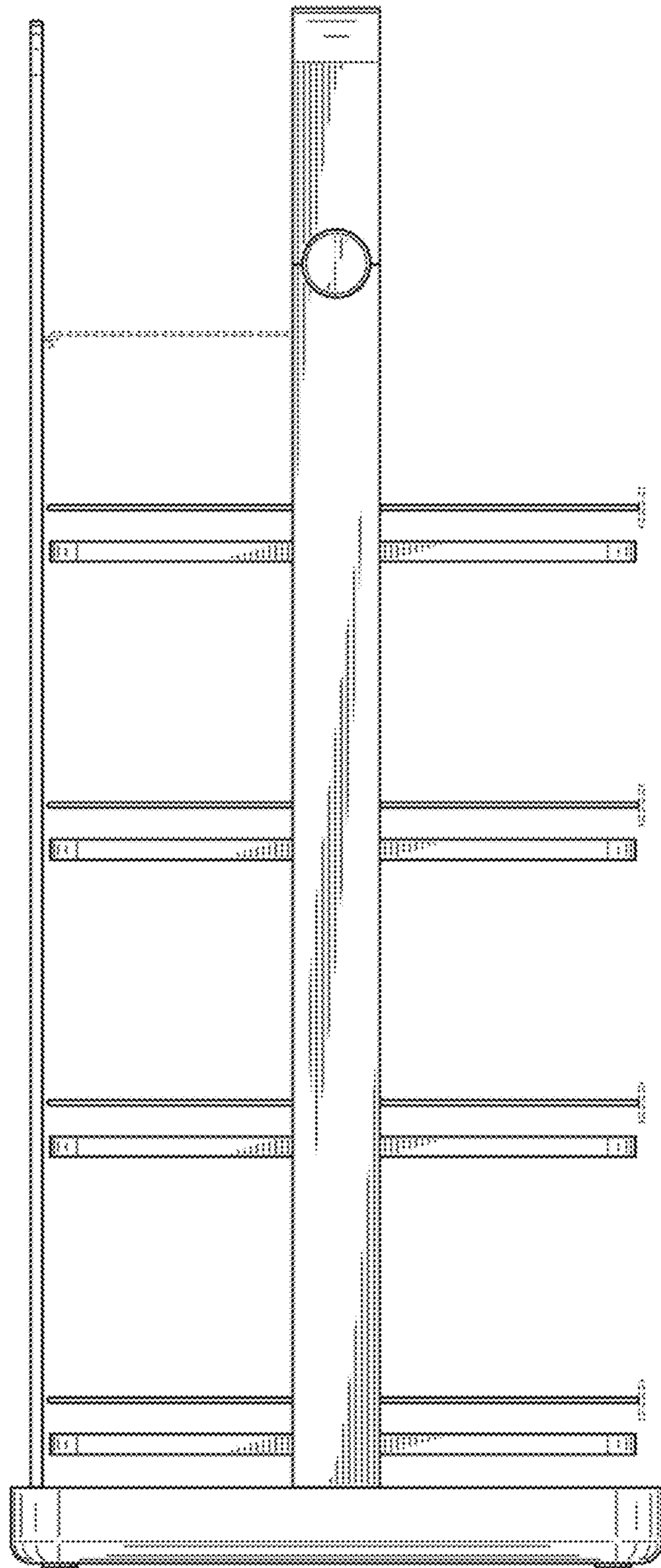


FIG. 9

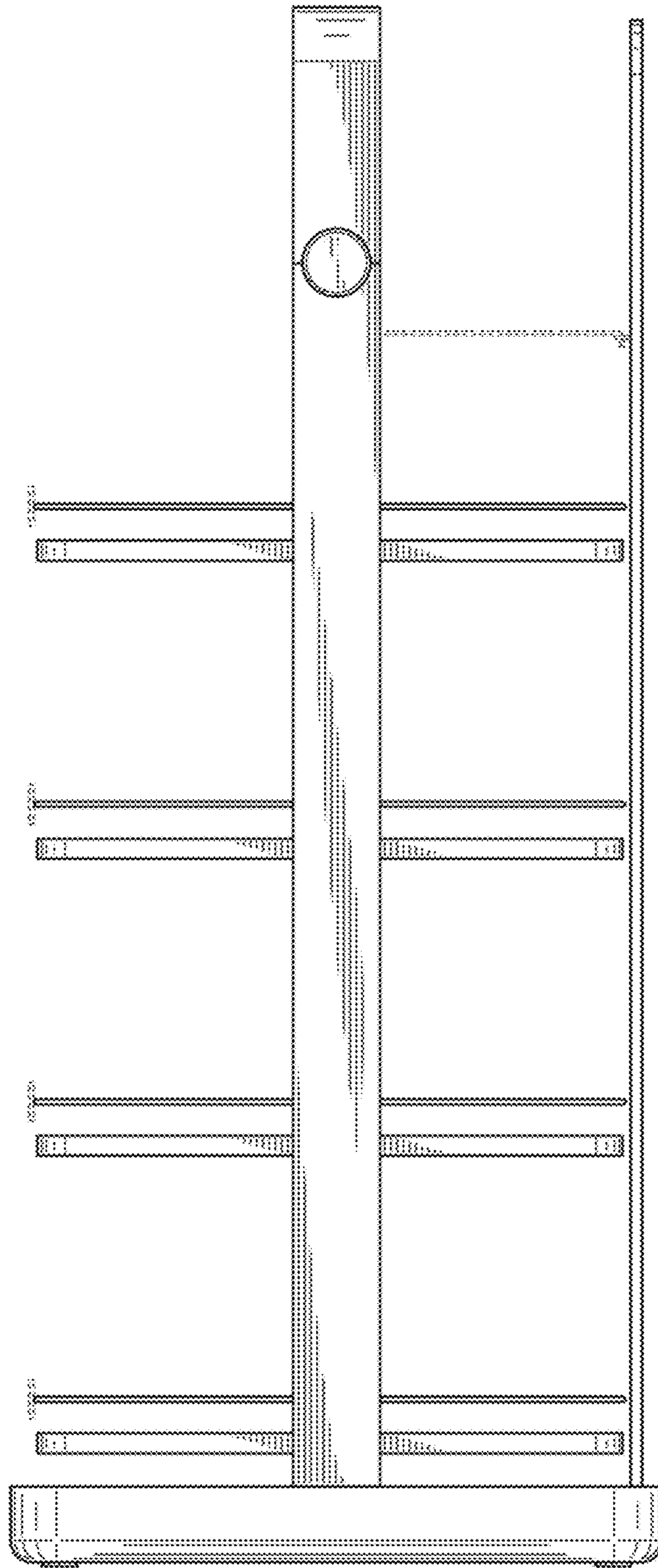


FIG. 10

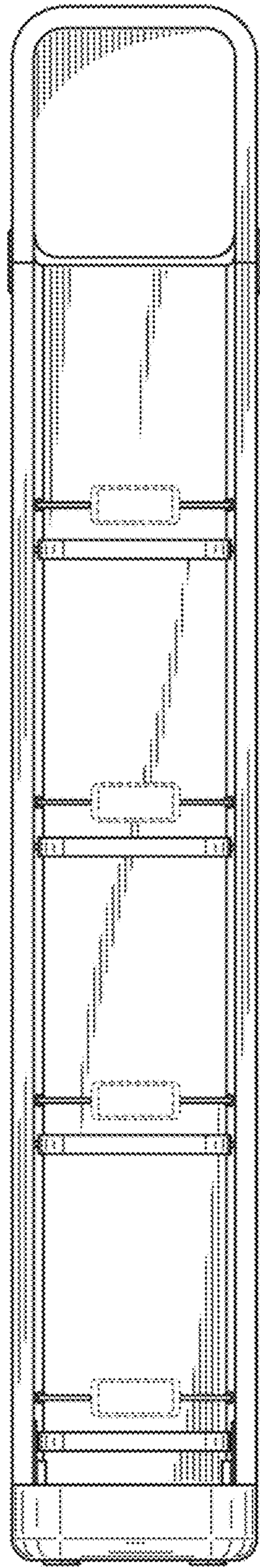


FIG. 11

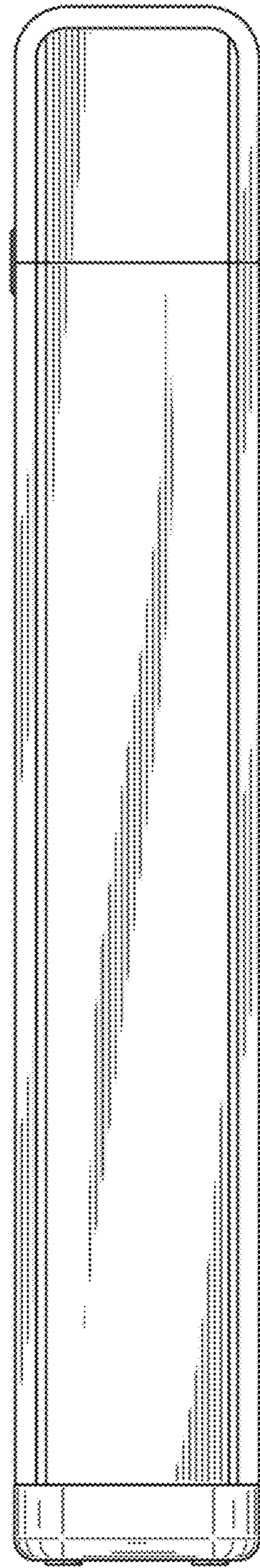


FIG. 12

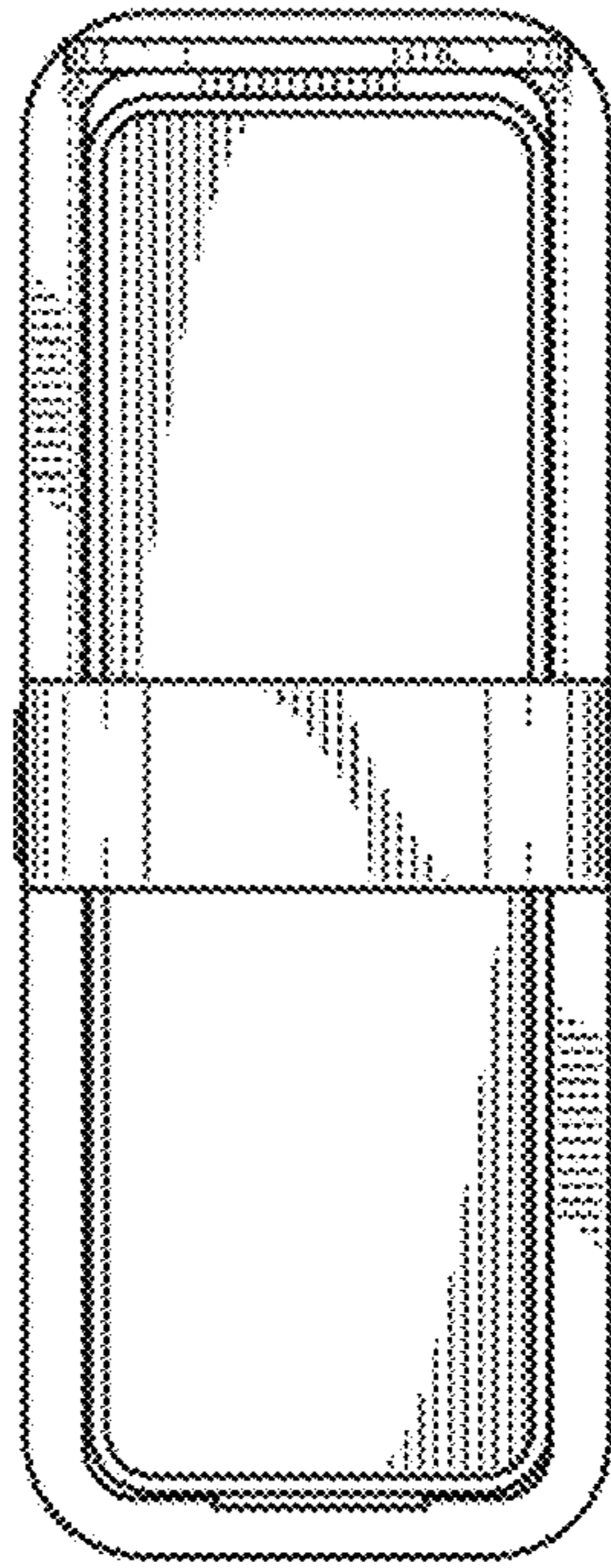


FIG. 13

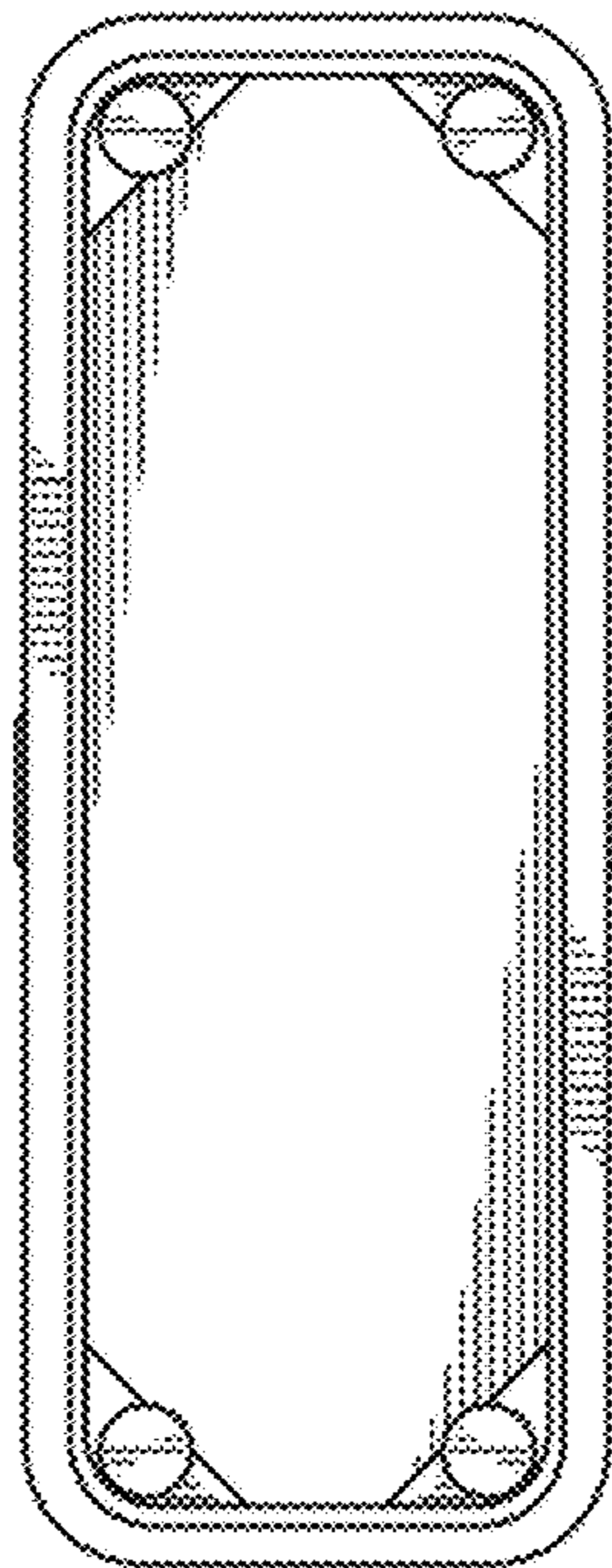


FIG. 14