



US00D851963S

(12) **United States Design Patent**
Fischer-Livneh et al.

(10) **Patent No.:** **US D851,963 S**
(45) **Date of Patent:** **** Jun. 25, 2019**

- (54) **CAR SEAT COVER FOR DOGS**
- (71) Applicants: **Lior Fischer-Livneh**, Tel Aviv (IL);
Nirit Weingarten, Tel Aviv (IL)
- (72) Inventors: **Lior Fischer-Livneh**, Tel Aviv (IL);
Nirit Weingarten, Tel Aviv (IL)
- (**) Term: **15 Years**

D537,289 S * 2/2007 Eskandry D6/611
 7,261,375 B2 * 8/2007 Godshaw A01K 1/0272
 119/28.5
 D554,424 S * 11/2007 Sandey A47C 31/02
 D6/601
 D600,488 S * 9/2009 Siklosi B60R 11/00
 D6/611
 D611,751 S * 3/2010 Siklosi B62B 3/144
 D6/611
 7,931,335 B1 * 4/2011 Siklosi B60N 2/6027
 297/219.1

(21) Appl. No.: **29/609,684**

(Continued)

(22) Filed: **Jul. 4, 2017**

OTHER PUBLICATIONS

(51) **LOC (11) Cl.** **06-13**

Dog Car Seat Covers by Winner Outfitters on Amazon. Feb. 4, 2017
 <<https://www.amazon.com/WINNER-OUTFITTERS-Covers-Cover-Trucks/dp/B01N4OQQSJ>>. Accessed on Jun. 17, 2018.*

(52) **U.S. Cl.**
USPC **D6/611**

(58) **Field of Classification Search**
 USPC D6/601–603, 606, 608, 610–612, 617;
 D7/392; D30/199; D14/448; D12/203,
 D12/213
 CPC A47C 27/001; A47C 27/002; A47C 31/10;
 A47C 31/105; A47C 31/11; A47C 31/113;
 A47C 31/116; A47C 4/28; A47C 7/02;
 A47C 7/021; A47C 7/022; A47C 7/386;
 A47C 7/42; A47C 7/68
 See application file for complete search history.

Primary Examiner — Kevin K Rudzinski
Assistant Examiner — Clare Ann Gannon
 (74) *Attorney, Agent, or Firm* — The Roy Gross Law
 Firm, LLC; Roy Gross

(57) **CLAIM**

The ornamental design for a car seat cover for dogs, as shown and described.

(56) **References Cited**

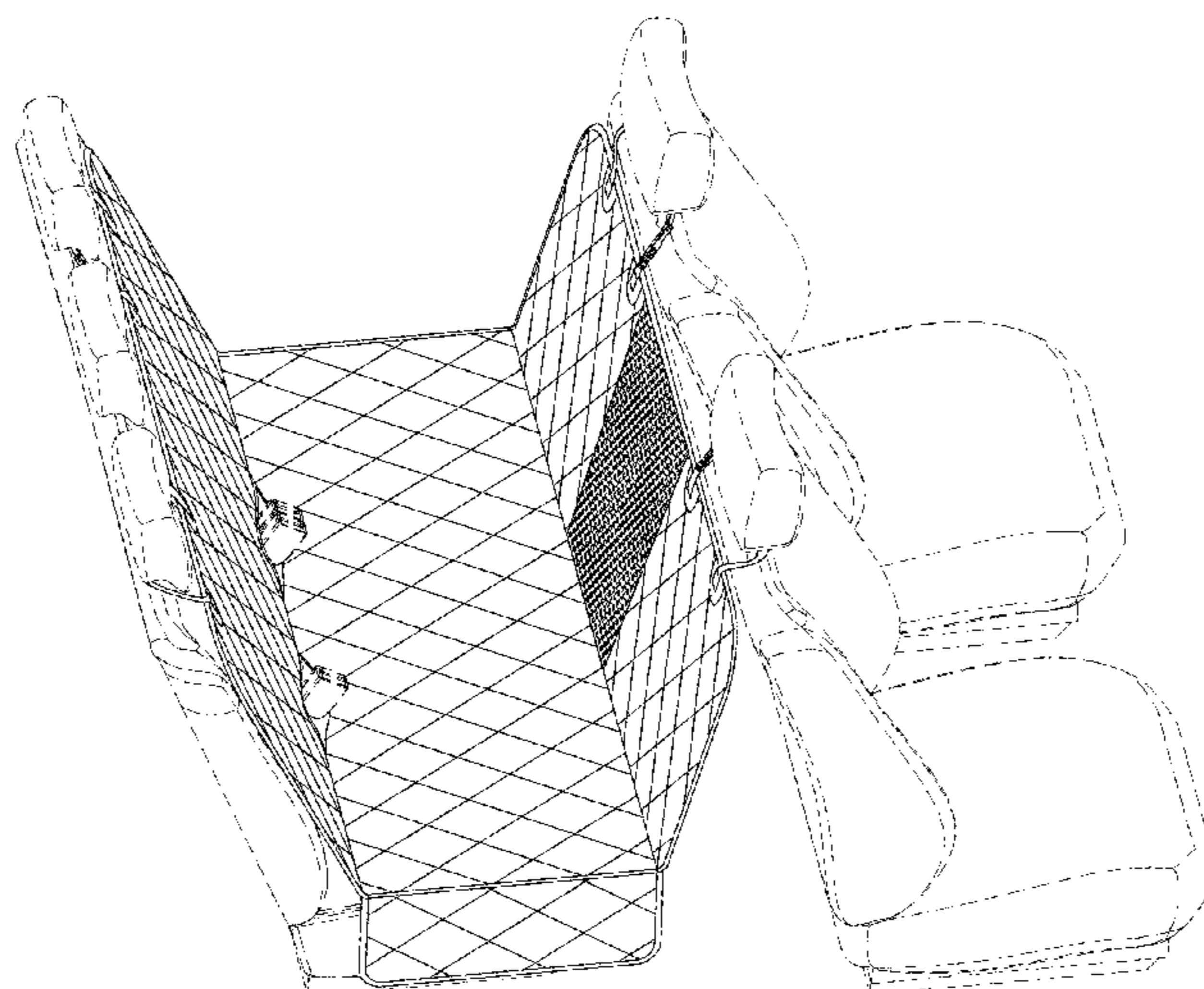
DESCRIPTION

U.S. PATENT DOCUMENTS

- 1,964,242 A * 6/1934 Behrle B60N 2/60
297/223
- 2,202,065 A * 5/1940 Peebles A47C 7/02
297/229
- 2,823,736 A * 2/1958 Brody A47C 31/113
5/482
- D267,523 S * 1/1983 Neilson 297/228.11
- 4,671,568 A * 6/1987 Greer A47C 31/02
297/229
- 6,676,209 B1 * 1/2004 Szabo B60N 2/60
297/188.01
- D527,938 S * 9/2006 Dandrea D6/611

FIG. 1 is an isometric view of a car seat cover for dogs in accordance with the new design shown in a position of use; FIG. 2 is a front view thereof; FIG. 3 is a rear view thereof; FIG. 4 is a right side view thereof; FIG. 5 is a top view thereof; FIG. 6 is a top view thereof, shown in a flat position; and, FIG. 7 is a bottom view thereof.
 The broken lines shown in FIGS. 1-7 are directed to environment and forms no part of the claim. The broken lines form no part of the claimed design.

1 Claim, 7 Drawing Sheets



(56)

References Cited

U.S. PATENT DOCUMENTS

D674,648 S * 1/2013 Galinski B60N 2/60
D6/611
D681,997 S * 5/2013 Benz A47C 31/113
D6/603
D745,791 S * 12/2015 Corley A01K 1/0272
D6/603
D768,412 S * 10/2016 Ngo D6/611
D774,328 S * 12/2016 Shamash D6/596
9,669,742 B1 * 6/2017 Bailey B60N 2/5816
D796,870 S * 9/2017 Hoffman B60N 2/60
D6/611
2005/0236874 A1 * 10/2005 Godshaw A01K 1/0272
297/35
2006/0103201 A1 * 5/2006 Lundgren B62B 3/144
297/256.17
2007/0194589 A1 * 8/2007 Aliev B60R 11/00
296/39.1
2009/0028466 A1 * 1/2009 Bailey A45F 4/12
383/4
2009/0091165 A1 * 4/2009 Thompson A47C 31/11
297/228.12

* cited by examiner

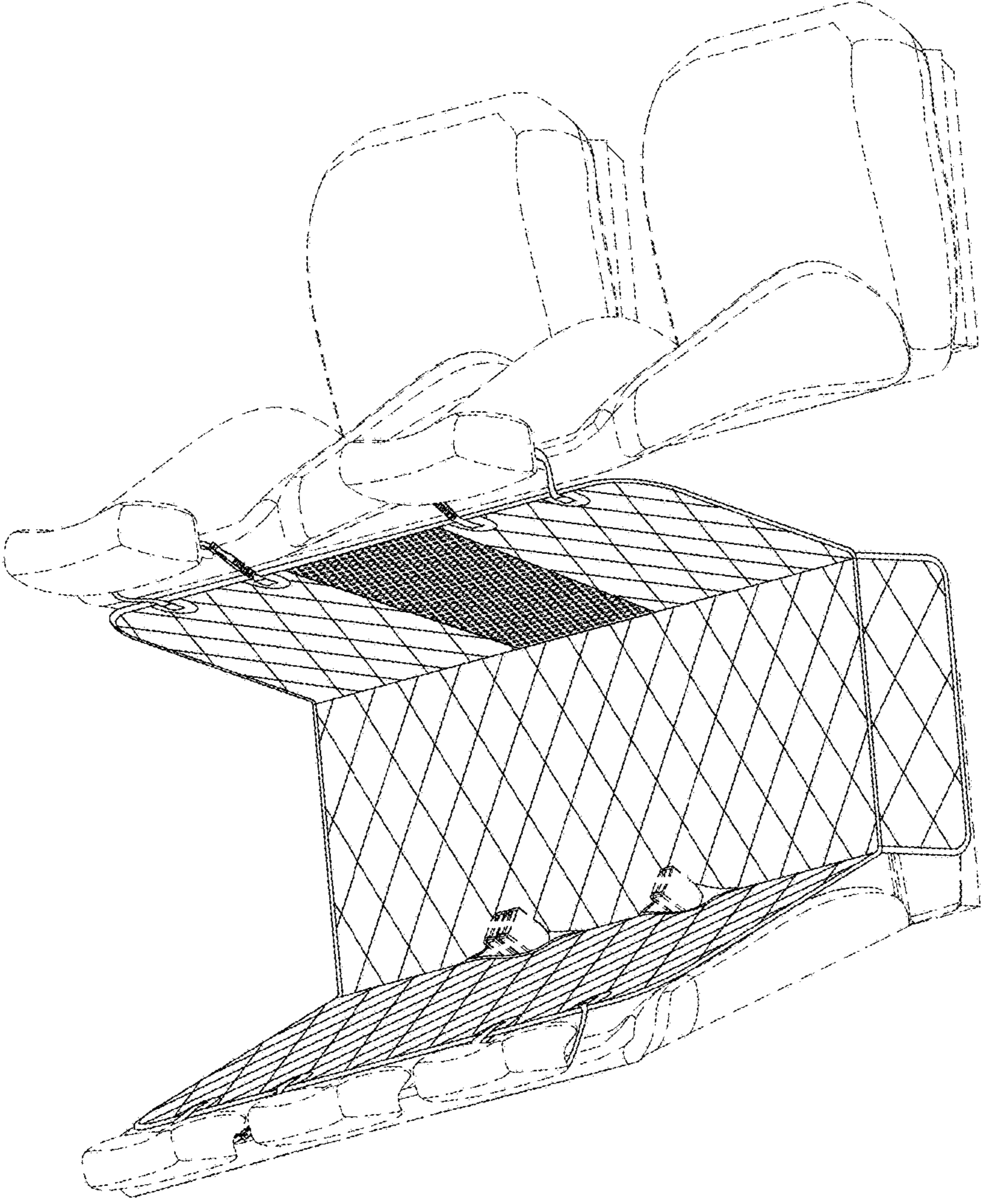


FIG.1

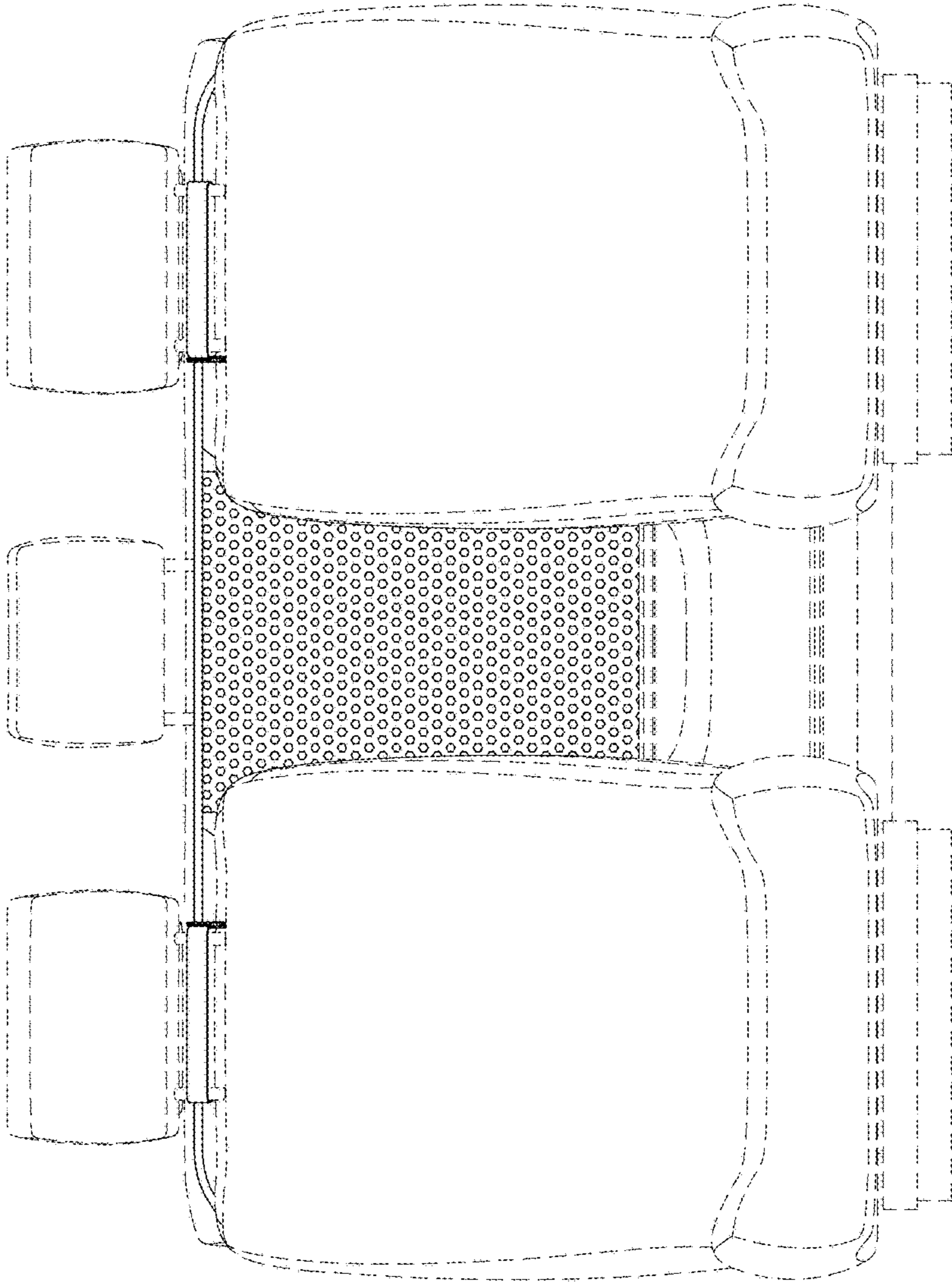


FIG.2

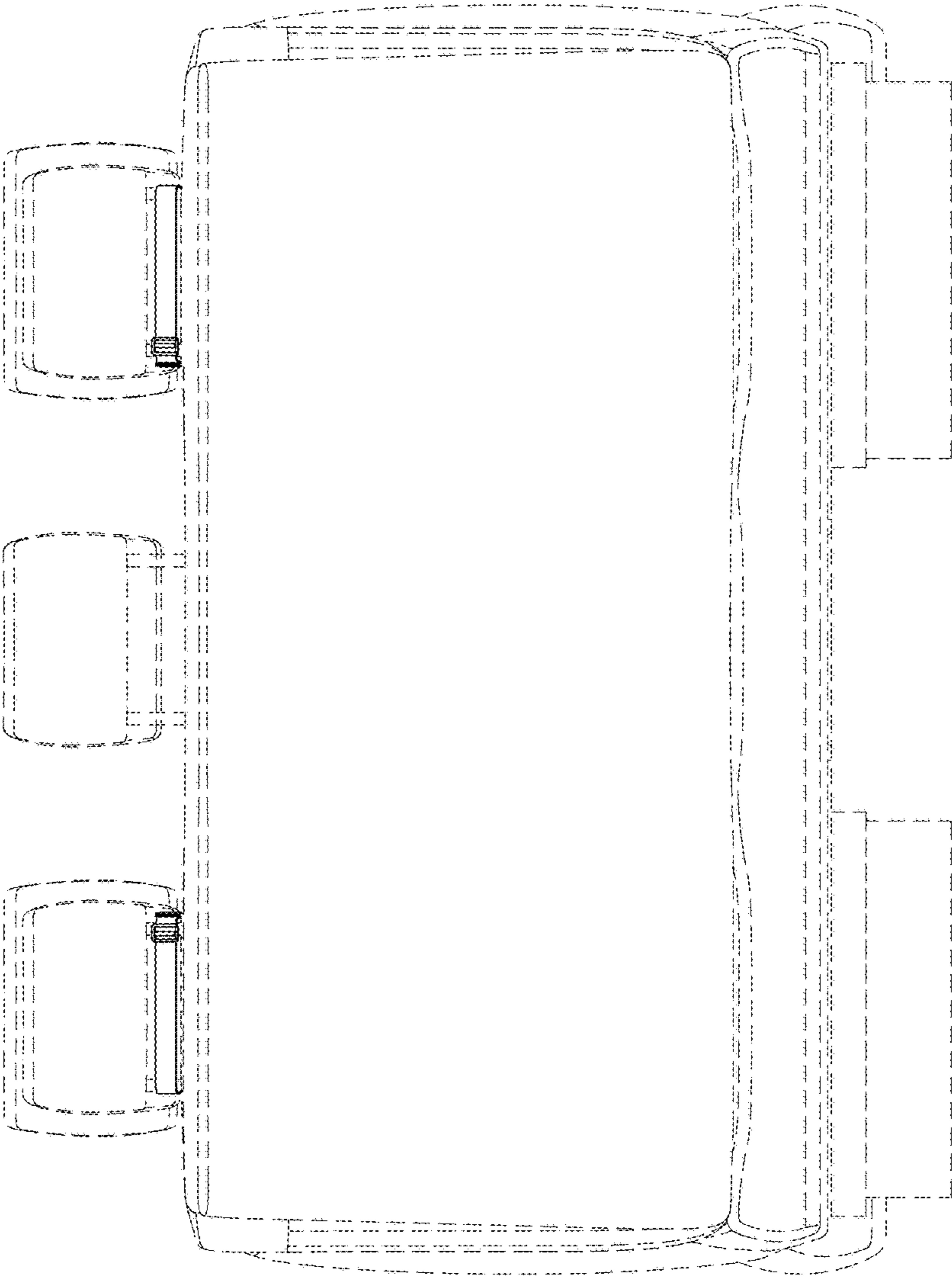


FIG.3

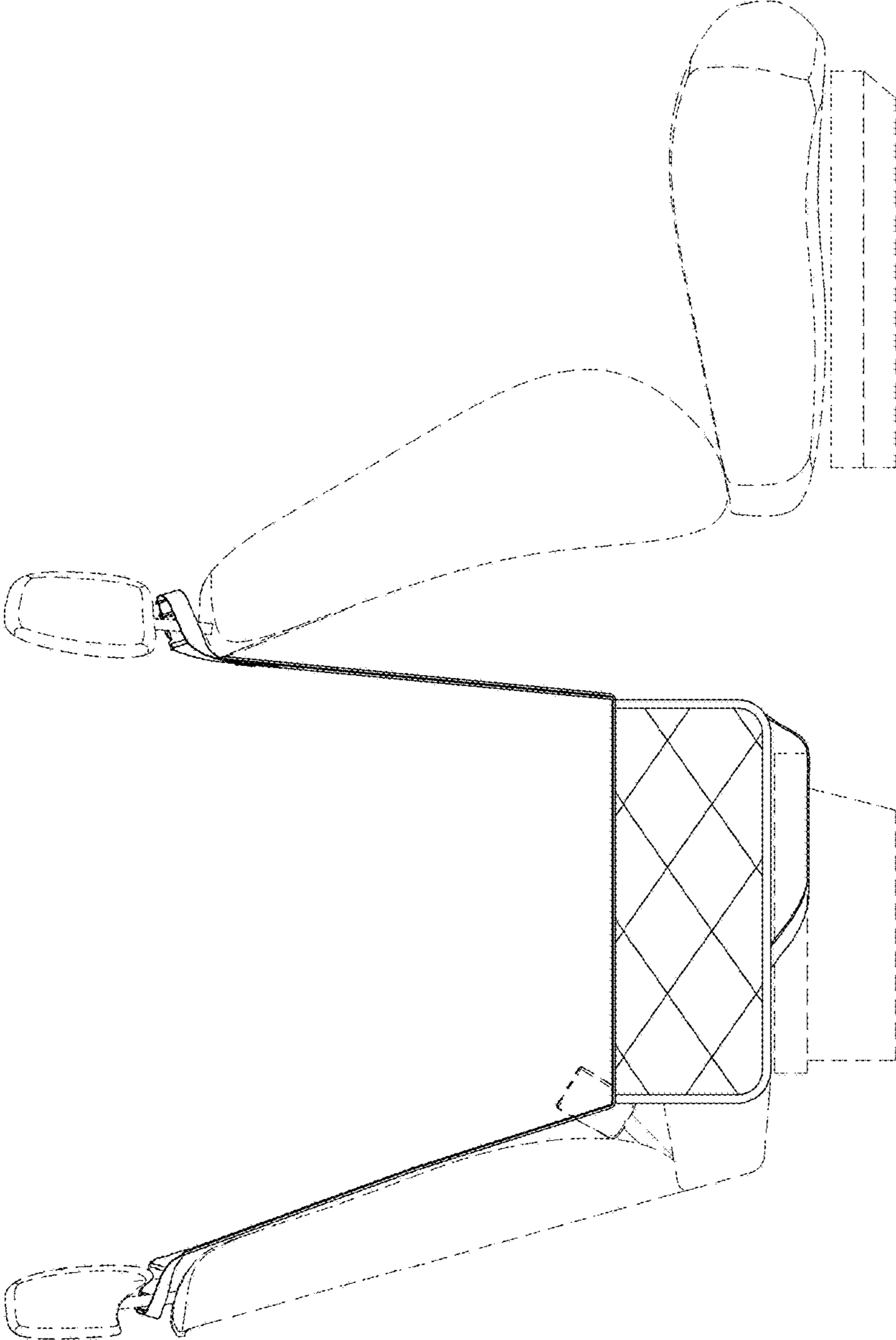


FIG.4

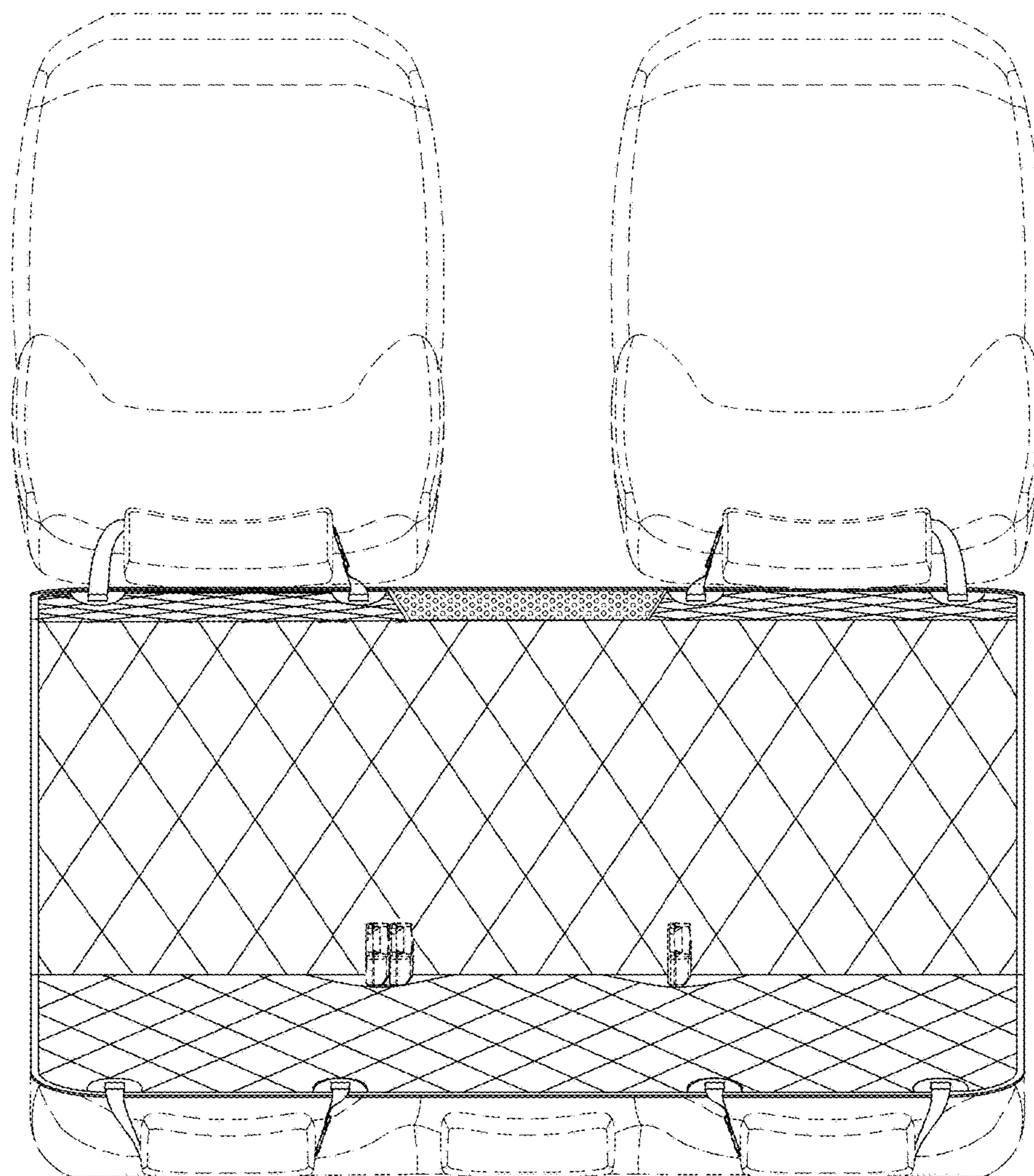


FIG.5

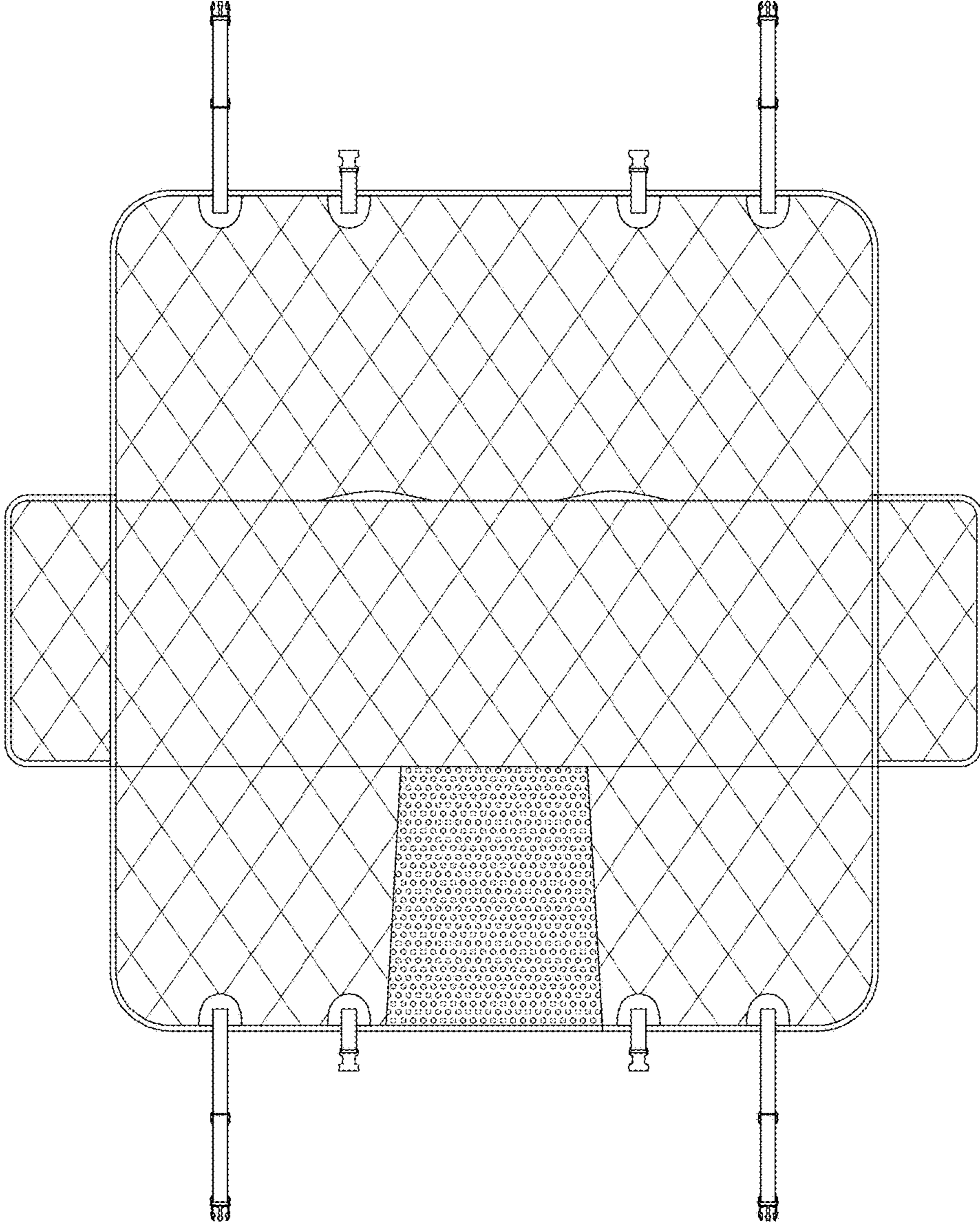


FIG. 6

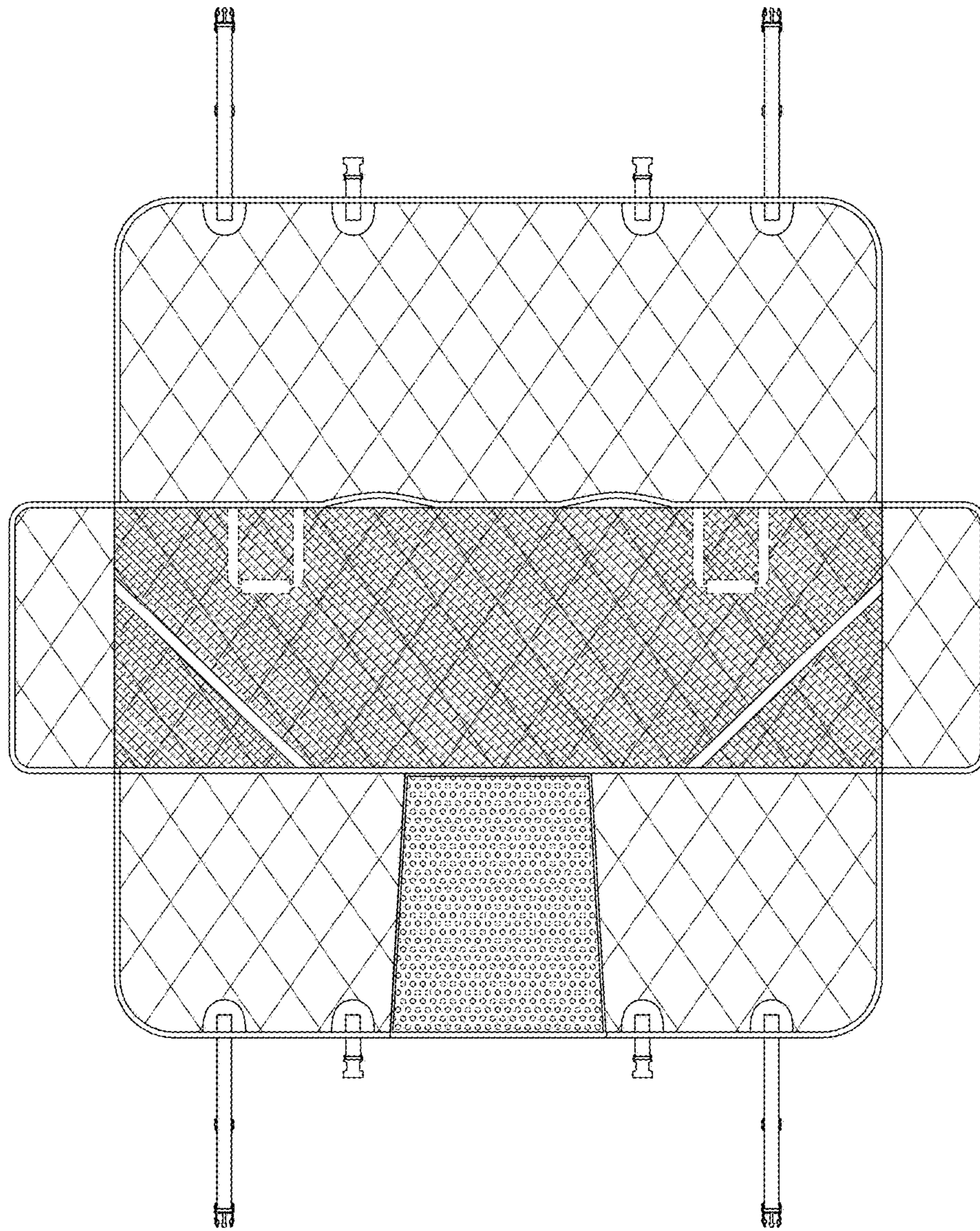


FIG. 7