



US00D851962S

(12) **United States Design Patent**
King

(10) **Patent No.:** **US D851,962 S**

(45) **Date of Patent:** **** Jun. 25, 2019**

(54) **AIR MATTRESS**

(71) Applicant: **Nathan King**, Phoenix, AZ (US)

(72) Inventor: **Nathan King**, Phoenix, AZ (US)

(**) Term: **15 Years**

(21) Appl. No.: **29/629,757**

(22) Filed: **Dec. 15, 2017**

(51) **LOC (11) Cl.** **06-09**

(52) **U.S. Cl.**
USPC **D6/604**

(58) **Field of Classification Search**
USPC D6/595, 596, 604-606; 5/413 AM, 420,
5/690, 691, 697-701, 706, 716-718, 722,
5/737, 740
CPC A47C 23/00; A47C 27/00; A47C 27/001;
A47C 27/05; A47C 27/053; A47C
27/056; A47C 27/06; A47C 27/14; A47C
27/142

See application file for complete search history.

(56) **References Cited**

U.S. PATENT DOCUMENTS

2,383,175	A *	8/1945	Weisberg	A47C 27/002 5/690
2,620,493	A *	12/1952	Brelsford	A47C 27/081 156/292
4,766,626	A *	8/1988	Green	A47G 27/0237 428/81
D353,967	S *	1/1995	Moore	5/902
5,966,755	A	10/1999	Pittman		
D434,936	S *	12/2000	May	D6/601
D467,458	S *	12/2002	Norman	D6/611
D523,275	S *	6/2006	Hawkins	D6/601
D834,868	S *	12/2018	Knowlton	D6/718.26
2002/0070592	A1 *	6/2002	Norman	B60N 2/2881 297/219.12

2005/0120477	A1 *	6/2005	Kennan	A47C 17/80 5/118
2005/0120484	A1 *	6/2005	Gold	A47C 7/386 5/655
2008/0078023	A1 *	4/2008	McClintock	A47C 17/80 5/118

OTHER PUBLICATIONS

etrailer.com. <https://www.etrailer.com/Air-Mattress/Jeep/Cherokee/2016/341031.html?vehicleid=20161842999>. "AirBedz XUV Air Mattress with Built-In Rechargeable Battery Air Pump". Date unknown: Viewed Feb. 2019 (Year: 2019).*

* cited by examiner

Primary Examiner — R. Johnson
(74) *Attorney, Agent, or Firm* — Howard & Howard Attorneys PLLC

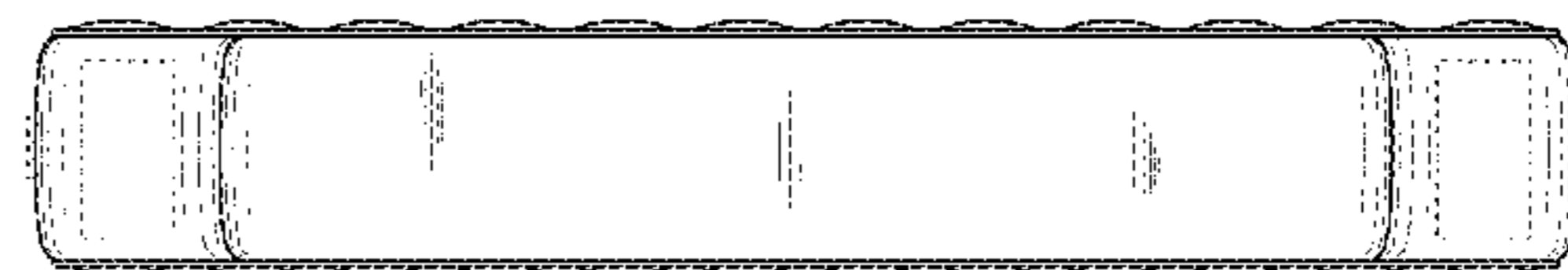
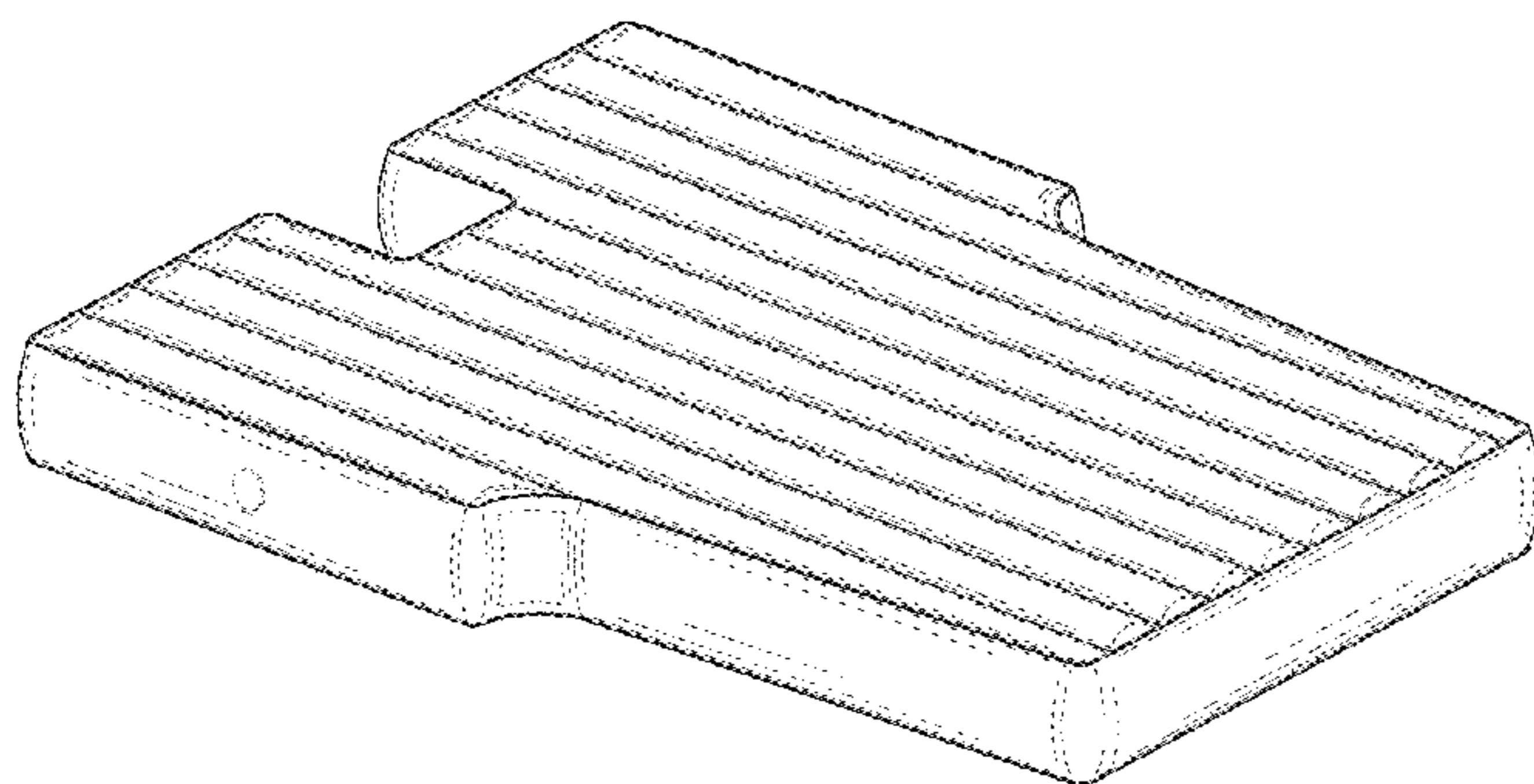
(57) **CLAIM**

The ornamental design for an air mattress, as shown and described.

DESCRIPTION

FIG. 1 is a perspective view of an air mattress showing my new design;
FIG. 2 is a top view thereof;
FIG. 3 is a bottom view thereof;
FIG. 4 is a right side view thereof;
FIG. 5 is a left side view thereof;
FIG. 6 is a front view thereof;
FIG. 7 is a rear view thereof; and,
FIG. 8 is a rear perspective view thereof, showing the air mattress as used in a vehicle.
The broken lines in FIGS. 1-7 represent the portions of the air mattress that form no part of the claimed design. The broken lines in FIG. 8, showing portions of a vehicle, represent the environment in which the design is used.

1 Claim, 6 Drawing Sheets



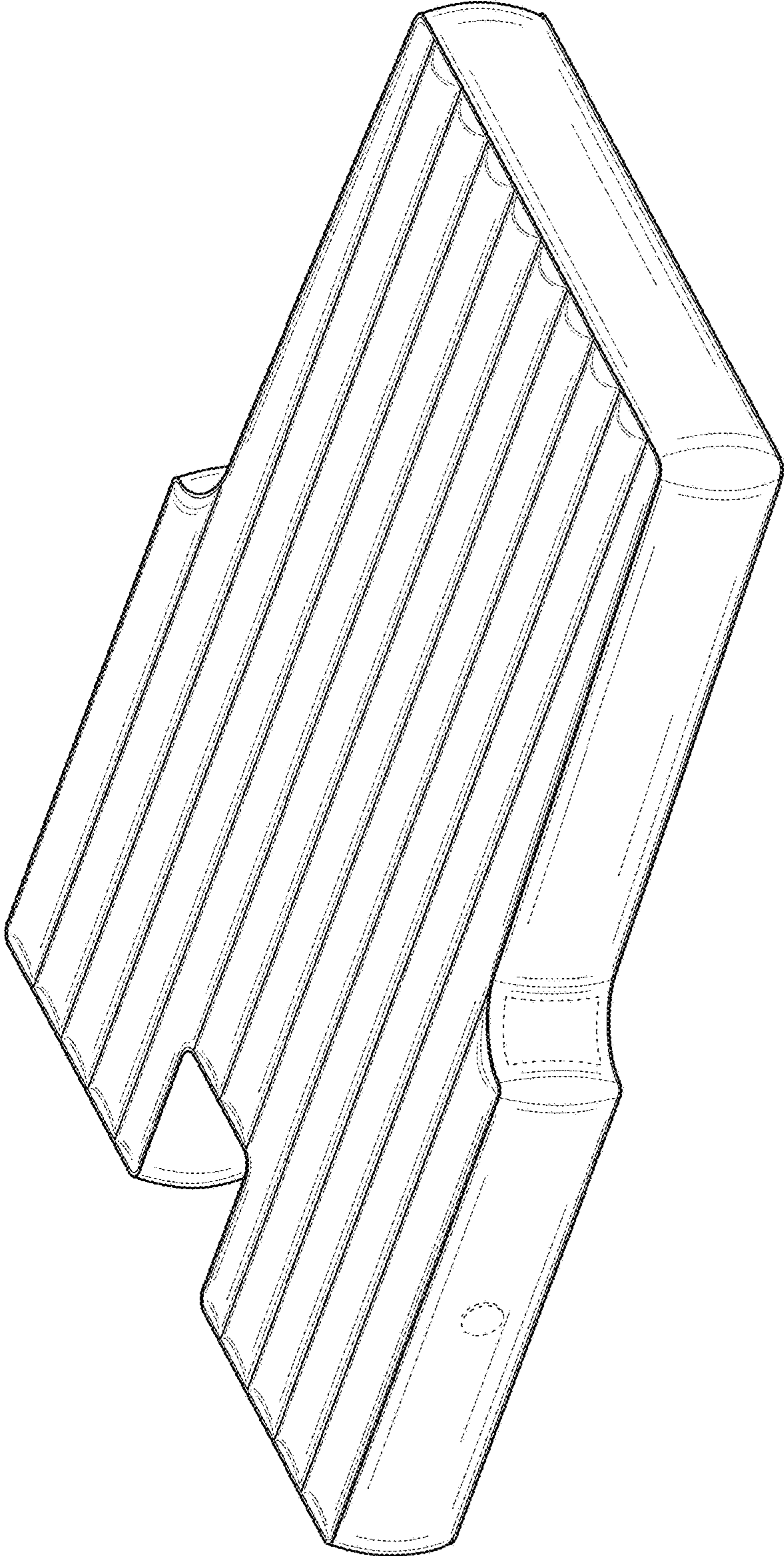


FIG. 1

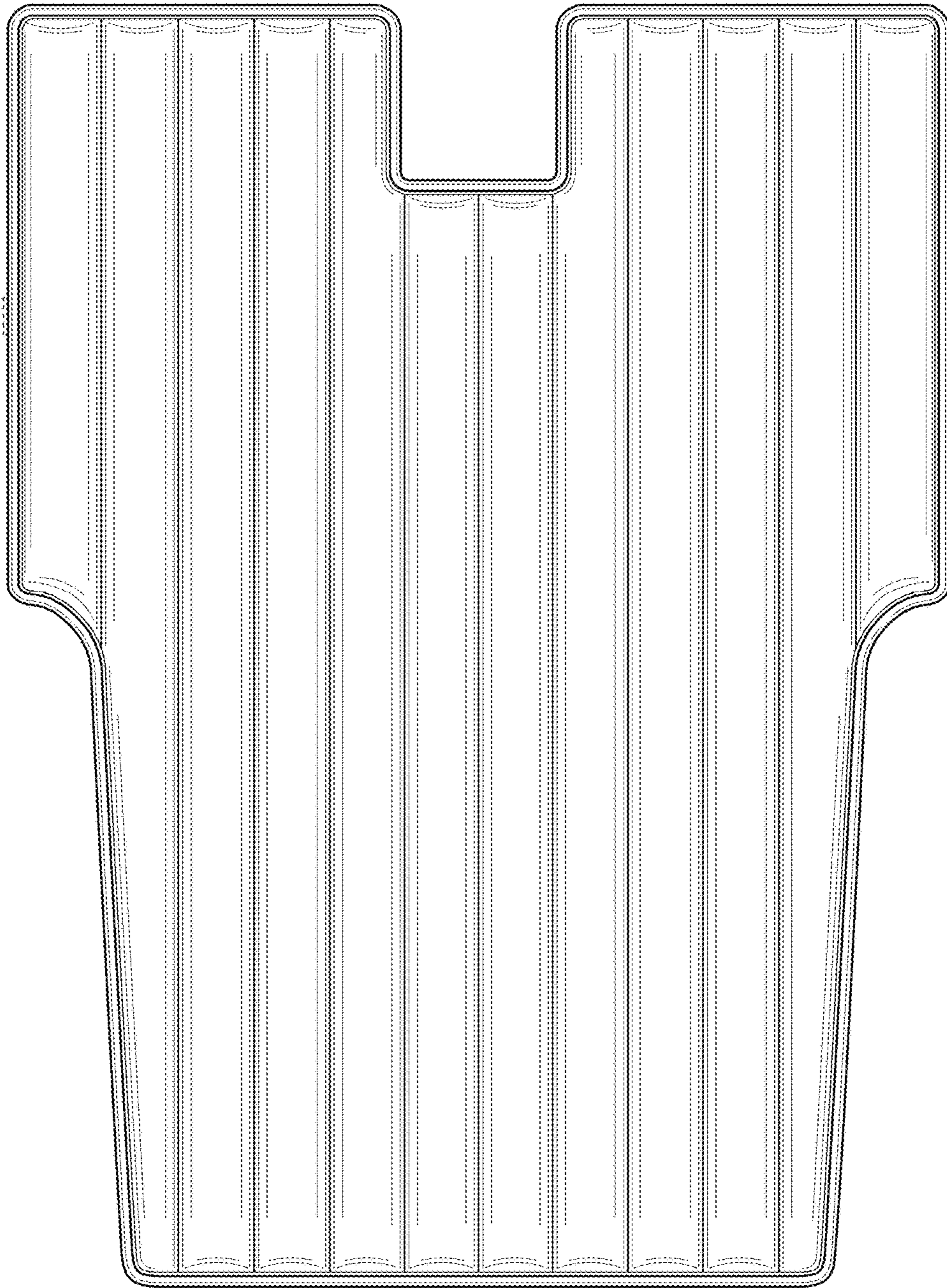


FIG. 2

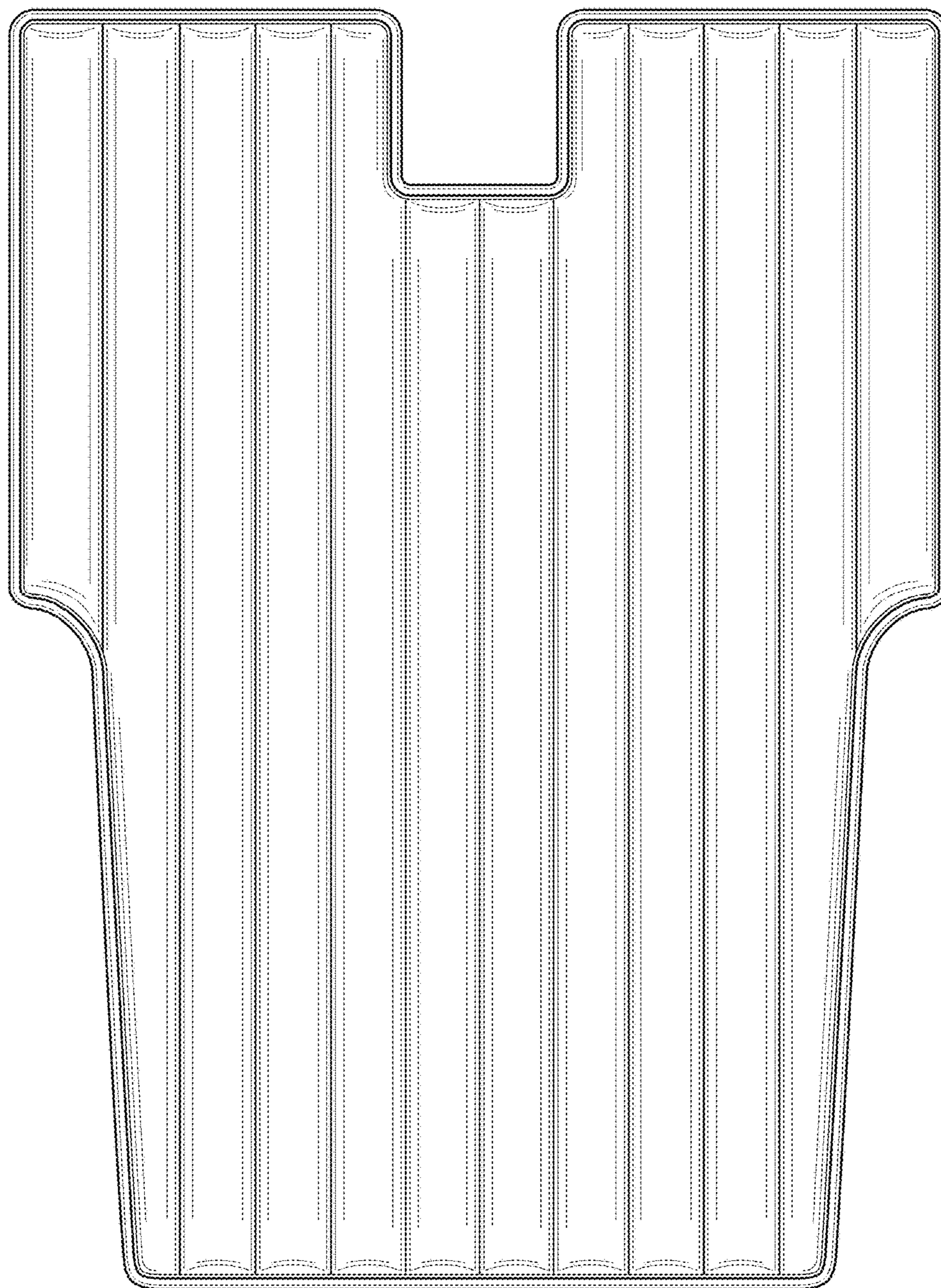


FIG. 3

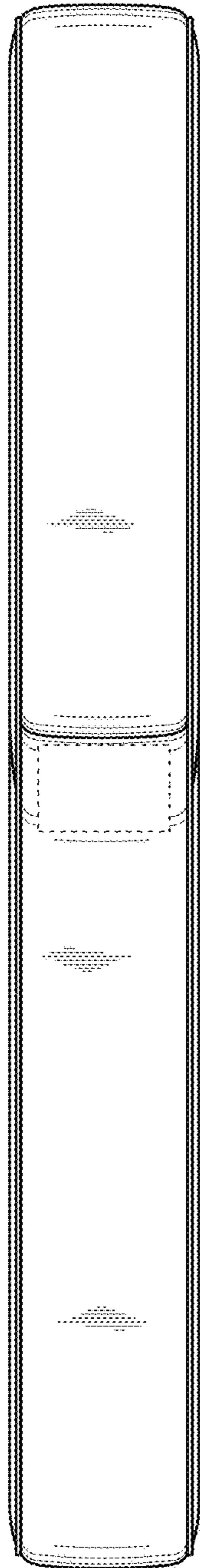


FIG. 4

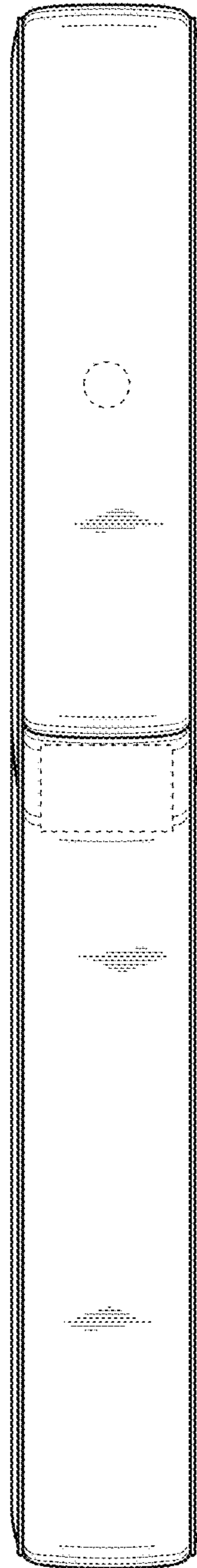


FIG. 5

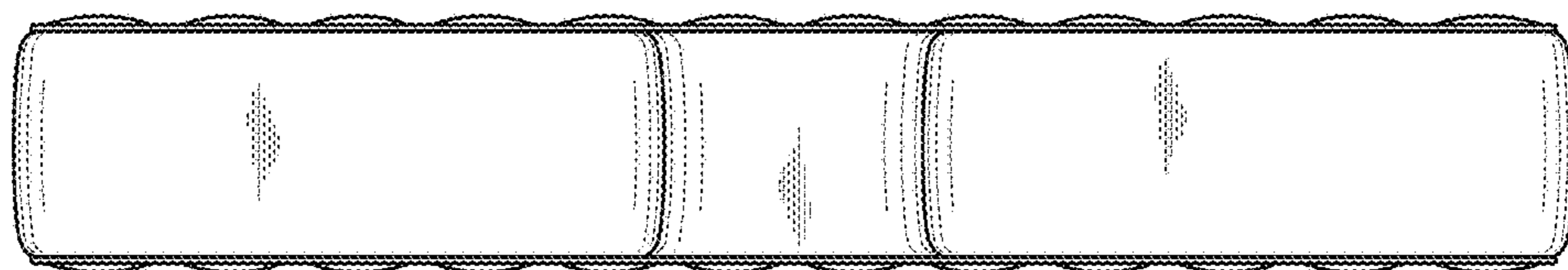


FIG. 6

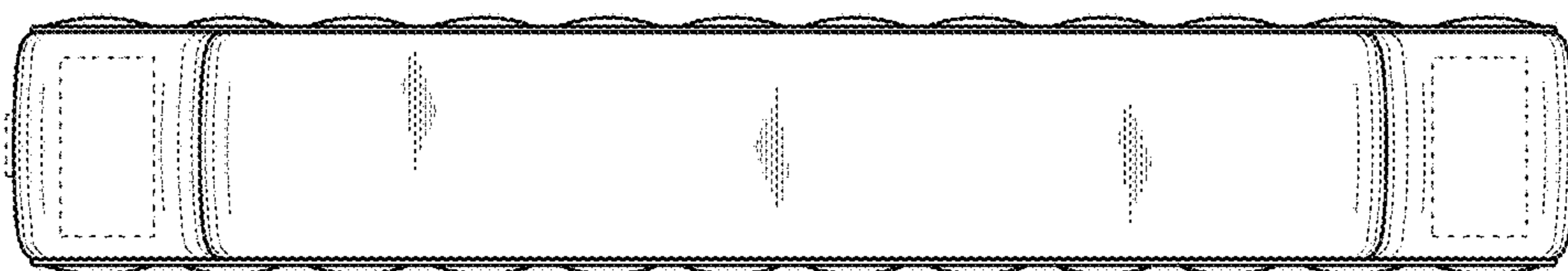


FIG. 7

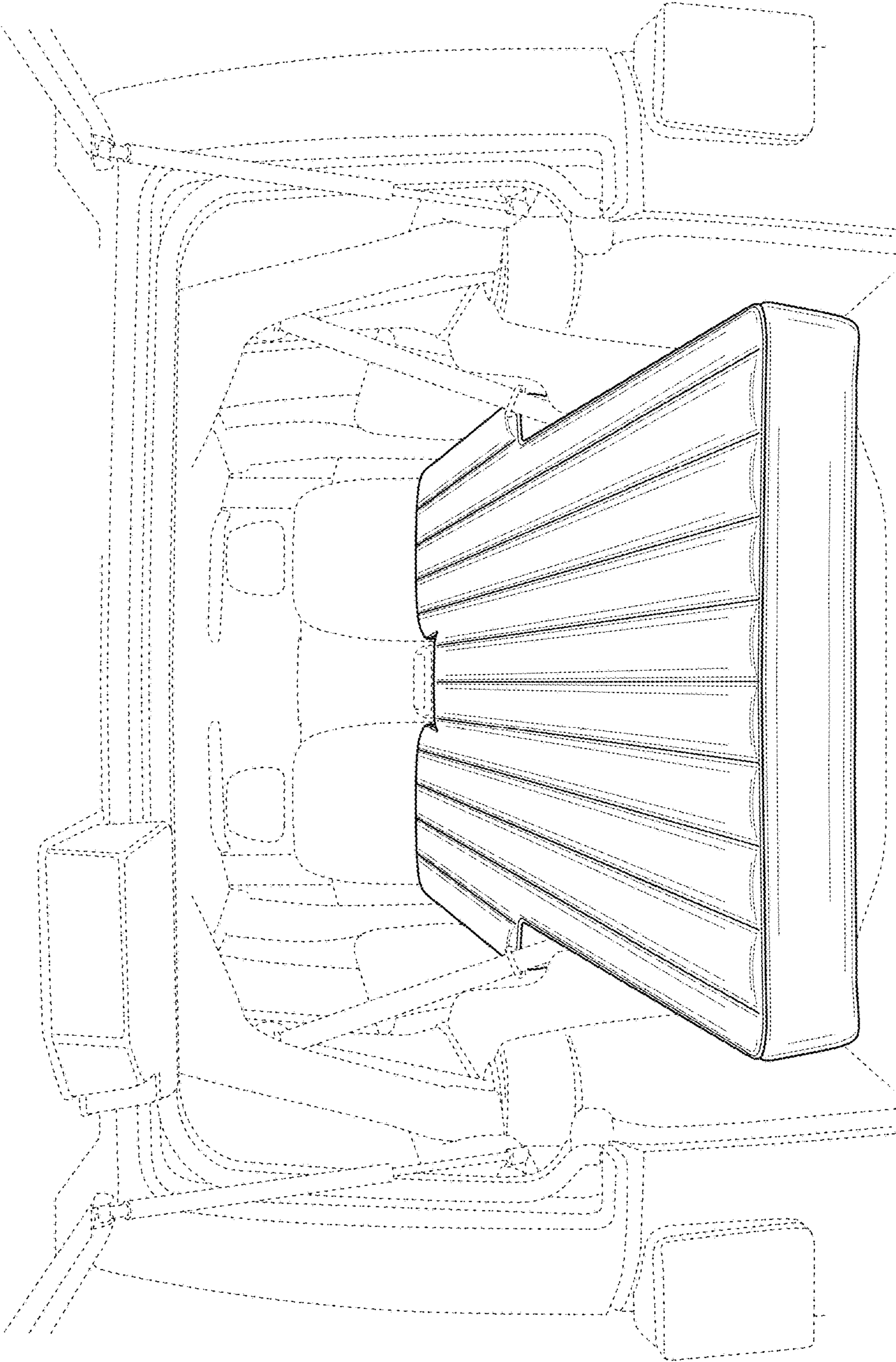


FIG. 8