



US00D851961S

(12) **United States Design Patent**
Rifelj

(10) **Patent No.:** **US D851,961 S**

(45) **Date of Patent:** **** Jun. 25, 2019**

(54) **PILLOW**

D341,053 S * 11/1993 Hassel D24/190
D342,857 S 1/1994 Mocur
D349,474 S 8/1994 Mocur

(Continued)

(71) Applicant: **Relax Support, LLC**, Sheridan, WY
(US)

(72) Inventor: **Marko Rifelj**, Otocec (SI)

(73) Assignee: **Relax Support, LLC**, Sheridan, WY
(US)

FOREIGN PATENT DOCUMENTS

DE 1654203 A1 3/1971
EP 2617326 A1 10/2014
WO WO201278596 A2 6/2012

(**) Term: **15 Years**

OTHER PUBLICATIONS

(21) Appl. No.: **29/677,303**

Relax Support RS1, date:unknown, [online], [site visited Mar. 16, 2019]. Available from Internet, <URL: <http://www.relax-support.com/product/lumbar-pillow-rs1-with-firmer-memory-foam-provide-back-support-pain-relief-and-it-is-extreme-comfort-design-cushion-best-for-your-lower-support-in-car-seat-of>> (Year: 2019).*

(22) Filed: **Jan. 18, 2019**

(51) **LOC (11) Cl.** **06-09**

(52) **U.S. Cl.**

USPC **D6/601**

(58) **Field of Classification Search**

USPC D6/333, 349, 355, 375, 388, 512, 563,
D6/564, 595, 596, 601, 604, 611, 707,
D6/715, 716, 716.1; D21/803, 804, 805,
D21/809; 5/401, 411, 420, 426, 630,
5/631, 632, 633, 635, 636, 646, 652,
5/652.1, 655, 703, 730; 297/284.4, 452.3

CPC A47G 9/10; A47G 9/1009; A47G 9/1027;
A47G 9/1045; A47G 9/1063; A47G
9/1072; A47G 9/1081

See application file for complete search history.

Primary Examiner — Michelle E. Wilson

Assistant Examiner — Sanjeev Paul

(74) *Attorney, Agent, or Firm* — Finnegan, Henderson,
Farabow, Garrett & Dunner, LLP

(57) **CLAIM**

The ornamental design for a pillow, as shown and described.

DESCRIPTION

FIG. 1 is a front, top, left perspective view of a pillow, showing the new design;

FIG. 2 is a rear, bottom, right perspective thereof;

FIG. 3 is a front view thereof;

FIG. 4 is a rear view thereof;

FIG. 5 is a right side view thereof;

FIG. 6 is a left side view thereof;

FIG. 7 is a top view thereof; and,

FIG. 8 is a bottom view thereof.

Contrast in surface treatment is shown by line shading in some areas and stipple shading in other areas.

The broken lines of even length shown in the drawings illustrate portions of the stitching and seams of the pillow that form no part of the claimed design.

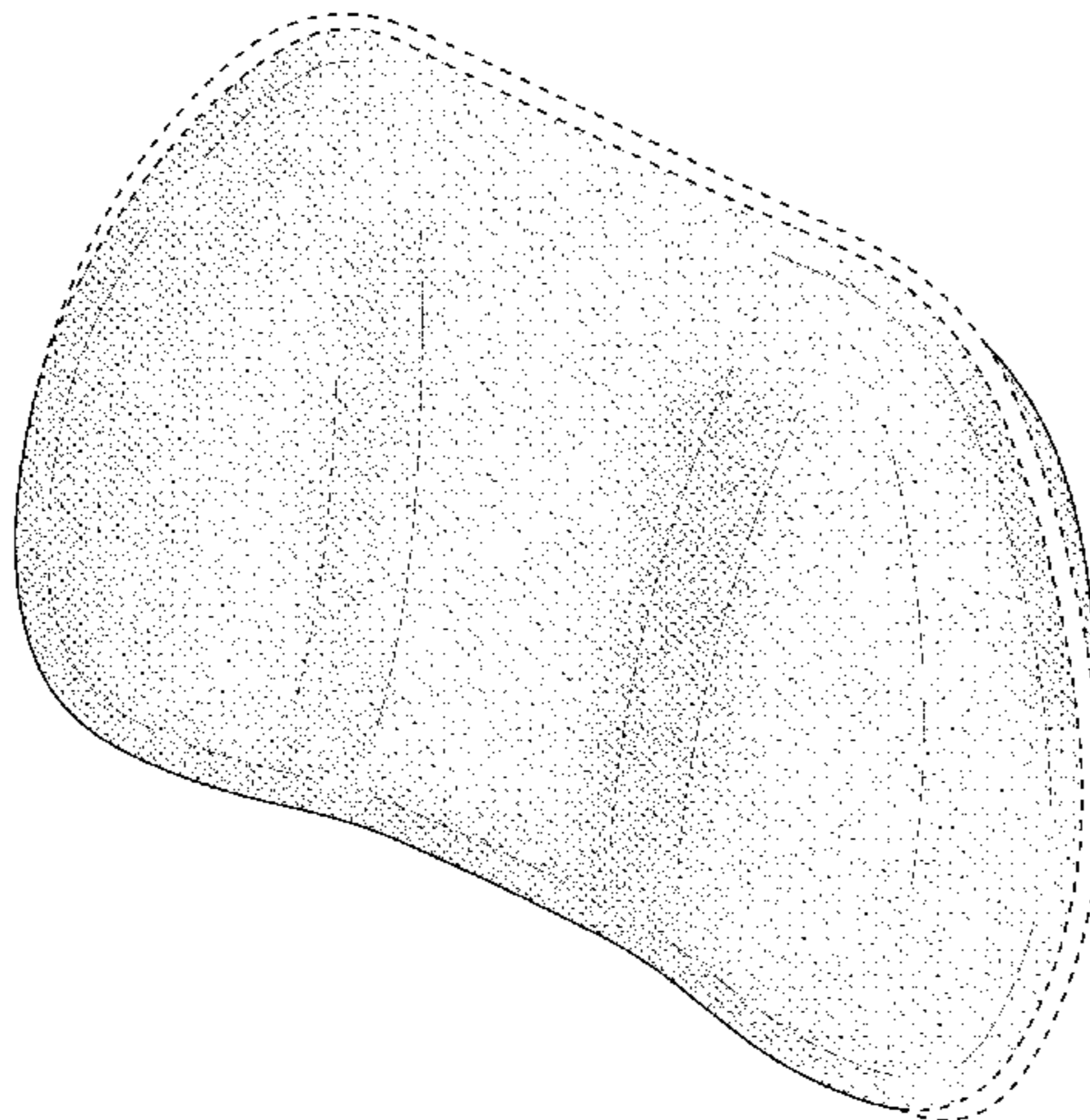
1 Claim, 8 Drawing Sheets

(56) **References Cited**

U.S. PATENT DOCUMENTS

D247,312 S * 2/1978 Zeiss D24/215
4,471,993 A * 9/1984 Watson A47C 7/425
297/230.13

4,597,386 A 7/1986 Goldstein
4,752,982 A 6/1988 Jones et al.
D308,613 S * 6/1990 Clark D6/601
D316,354 S * 4/1991 Bool D6/601
D316,483 S * 4/1991 Haack D3/321
5,190,347 A 3/1993 Shio-Lan
D335,997 S * 6/1993 Castronovo D6/601



(56)

References Cited

U.S. PATENT DOCUMENTS

D349,475	S		8/1994	Mocur	
5,799,344	A	*	9/1998	Najar	A45D 19/08 297/397
D402,846	S	*	12/1998	Licata	D6/611
5,868,463	A		2/1999	MacKenzie et al.	
5,924,145	A	*	7/1999	Najar	A45D 19/08 4/519
D428,295	S	*	7/2000	Frye	D6/601
D451,294	S	*	12/2001	Simons, Jr.	D6/366
D466,751	S	*	12/2002	Coats	D6/601
D468,573	S	*	1/2003	Friend	D6/601
D476,185	S	*	6/2003	Siegal	D6/601
D478,763	S	*	8/2003	Brown	D6/611
D492,875	S	*	7/2004	Su	D6/601
D540,096	S	*	4/2007	Fuksas	D6/601
D540,606	S	*	4/2007	Greenberg	D6/604
D572,959	S	*	7/2008	Baumgartner	D6/601
D615,794	S		5/2010	Jorgensen et al.	
D644,831	S	*	9/2011	Smith	D3/8
D659,252	S	*	5/2012	Batiste	D24/190
8,261,384	B2	*	9/2012	Batiste	A47C 7/425 297/230.1
D673,394	S	*	1/2013	Hurford	D6/716
D686,025	S	*	7/2013	Blazure	D6/601
D750,929	S	*	3/2016	Line	D6/716.5
D769,451	S	*	10/2016	MacMillan	D24/190
D779,255	S	*	2/2017	Welsh	D6/716.5
D790,255	S		6/2017	Mi	
D793,768	S		8/2017	Goddard	
D798,094	S	*	9/2017	Albert	D6/716.5
D822,409	S	*	7/2018	Kleinman	D6/601
D835,929	S	*	12/2018	Kim	D6/716.5

* cited by examiner

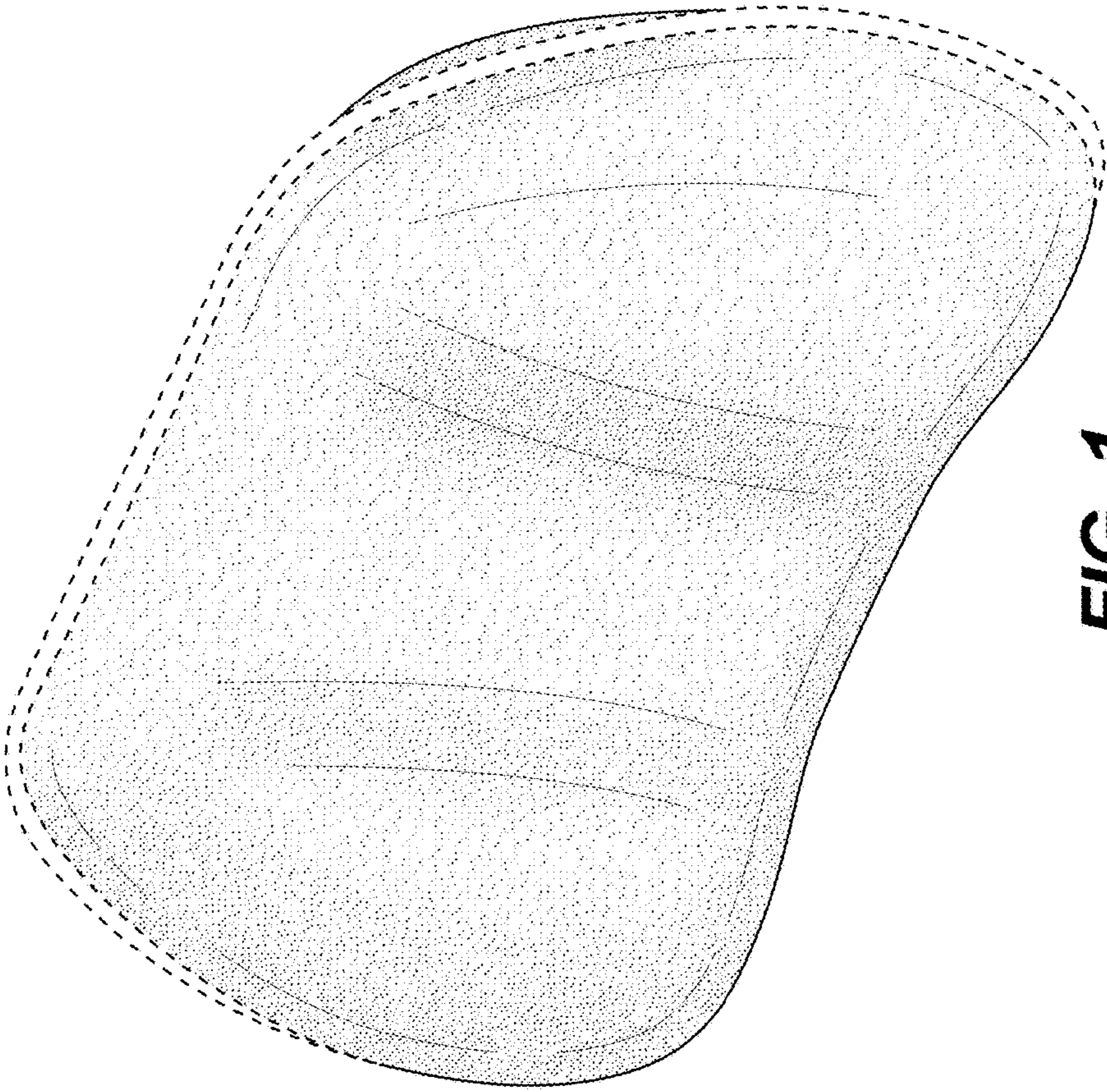


FIG. 1

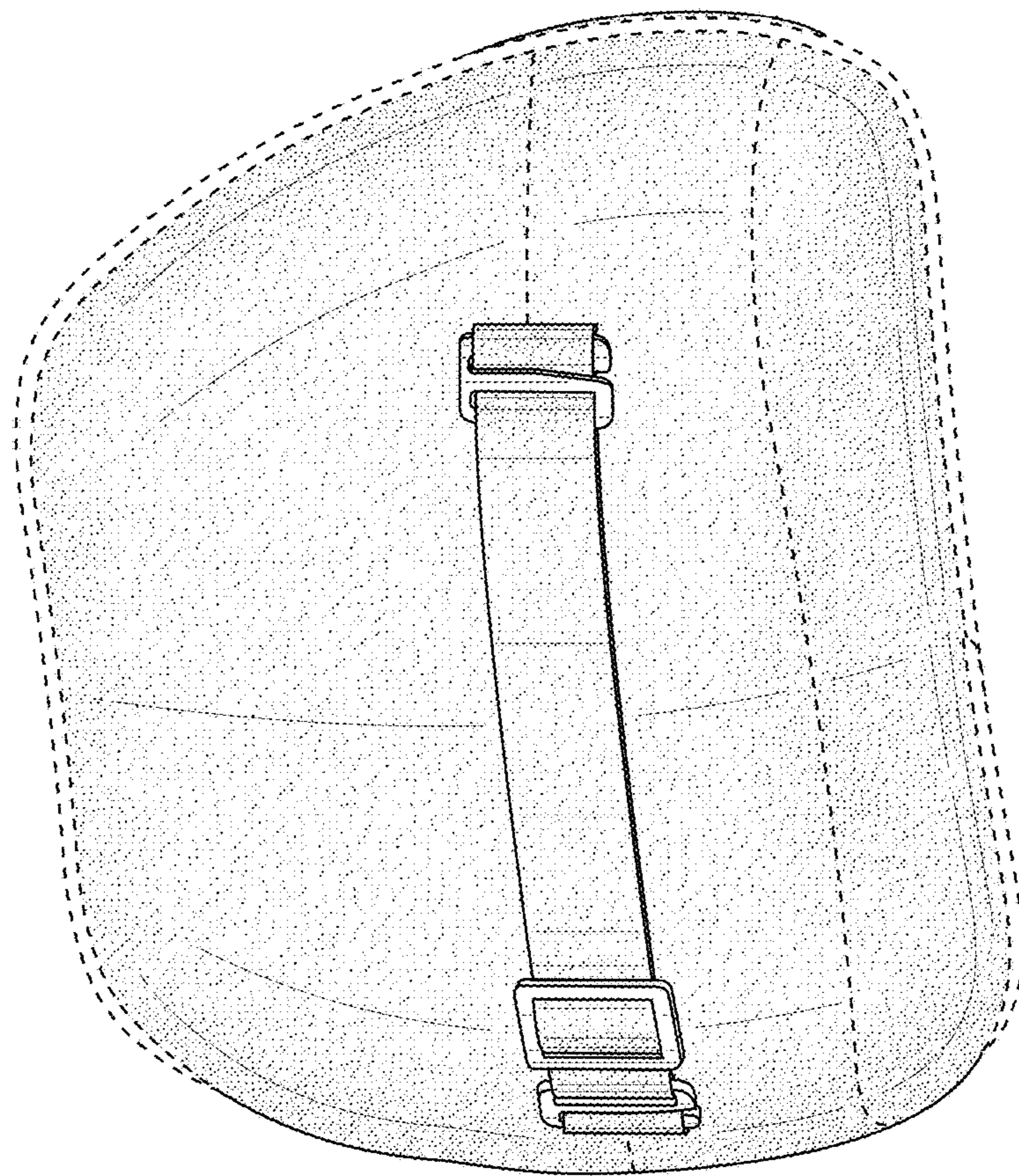


FIG. 2

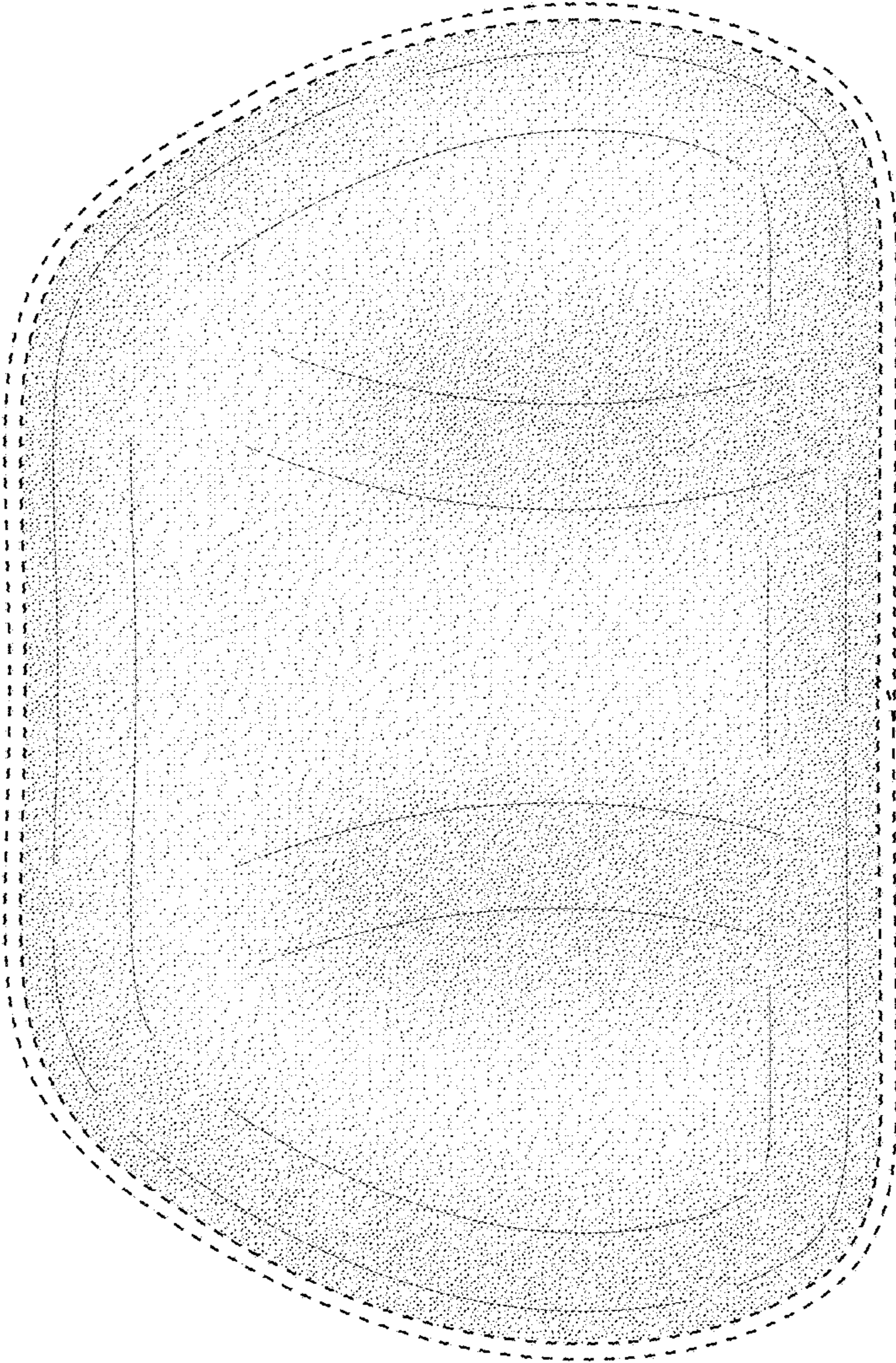


FIG. 3

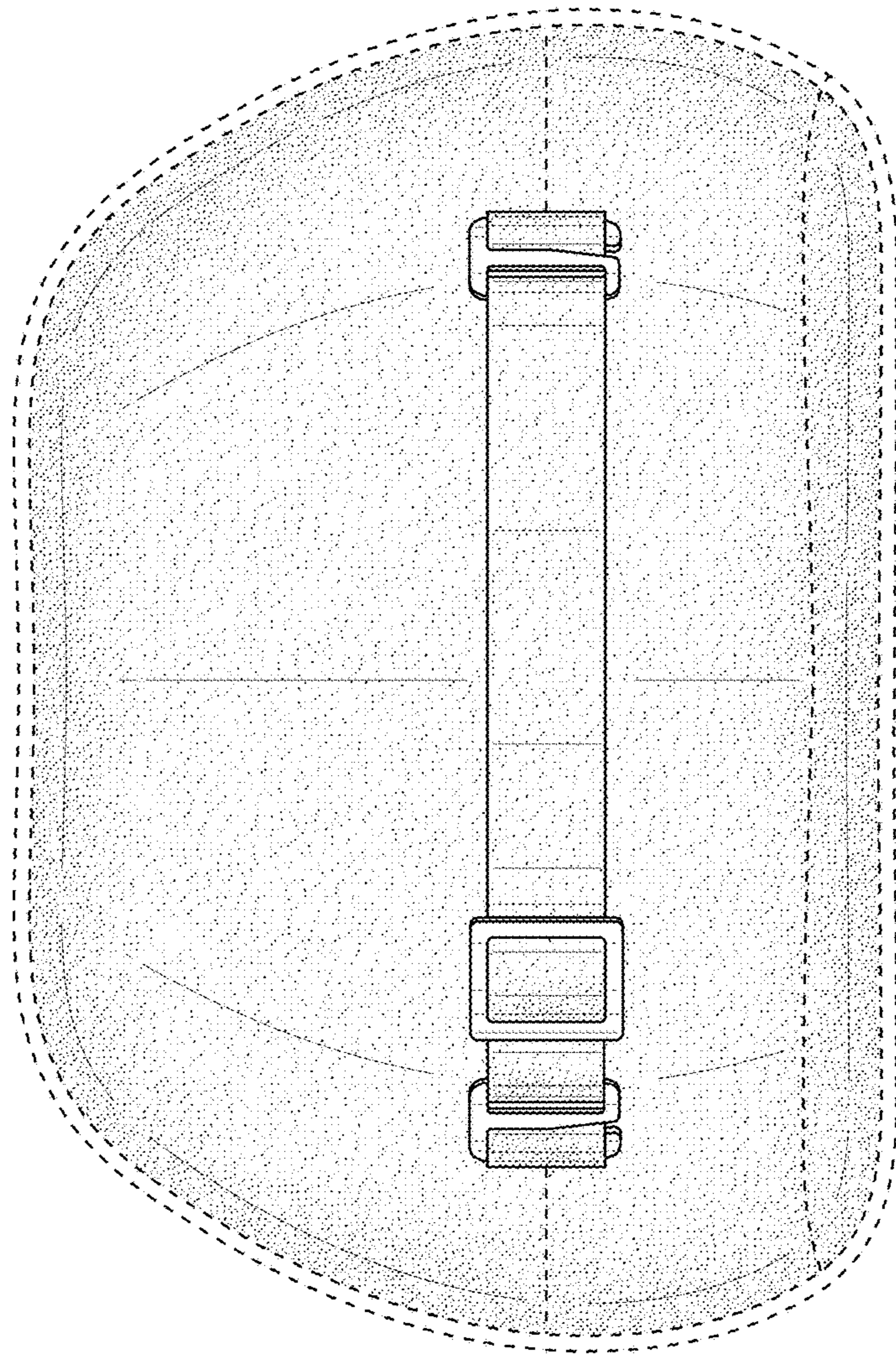


FIG. 4

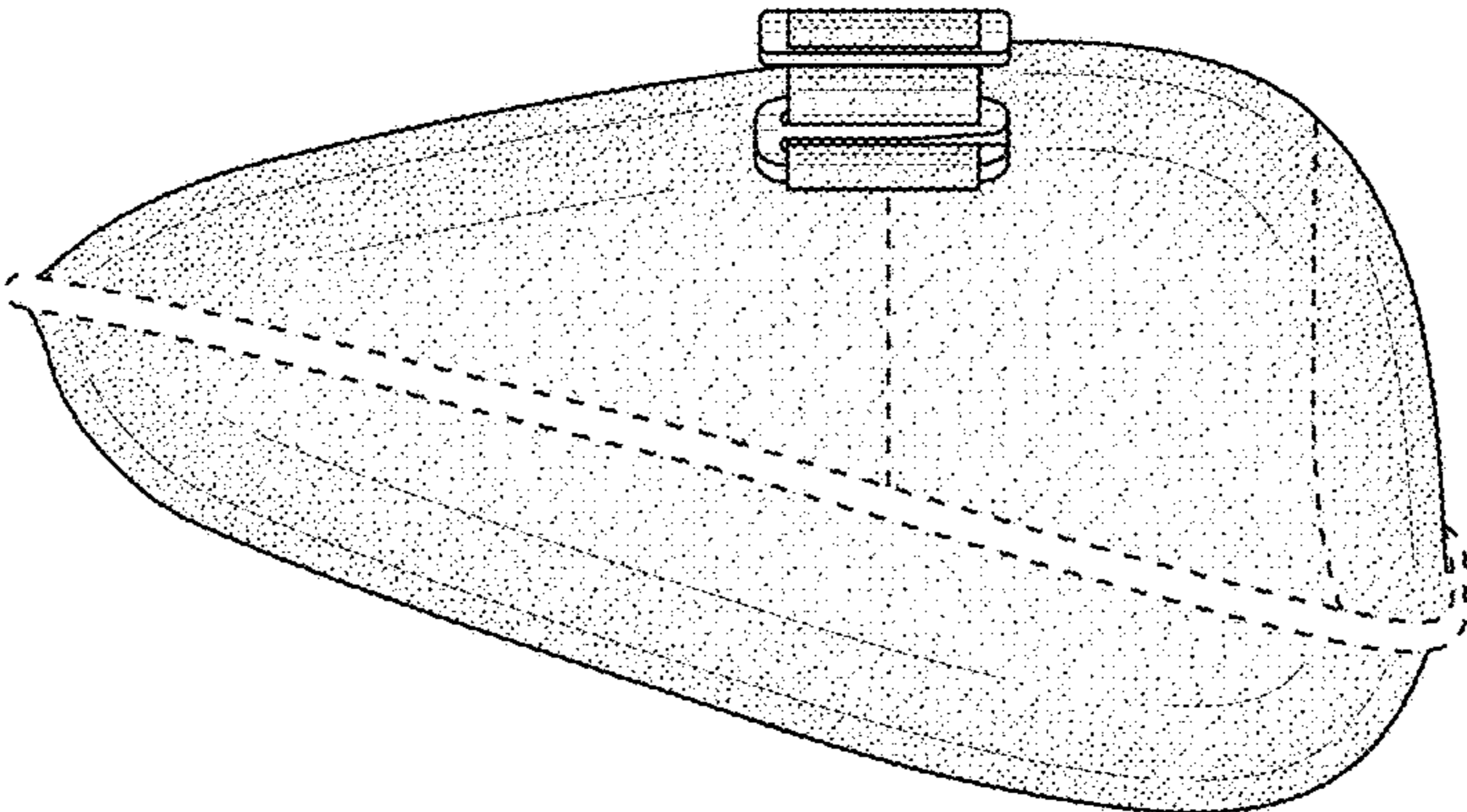


FIG. 5

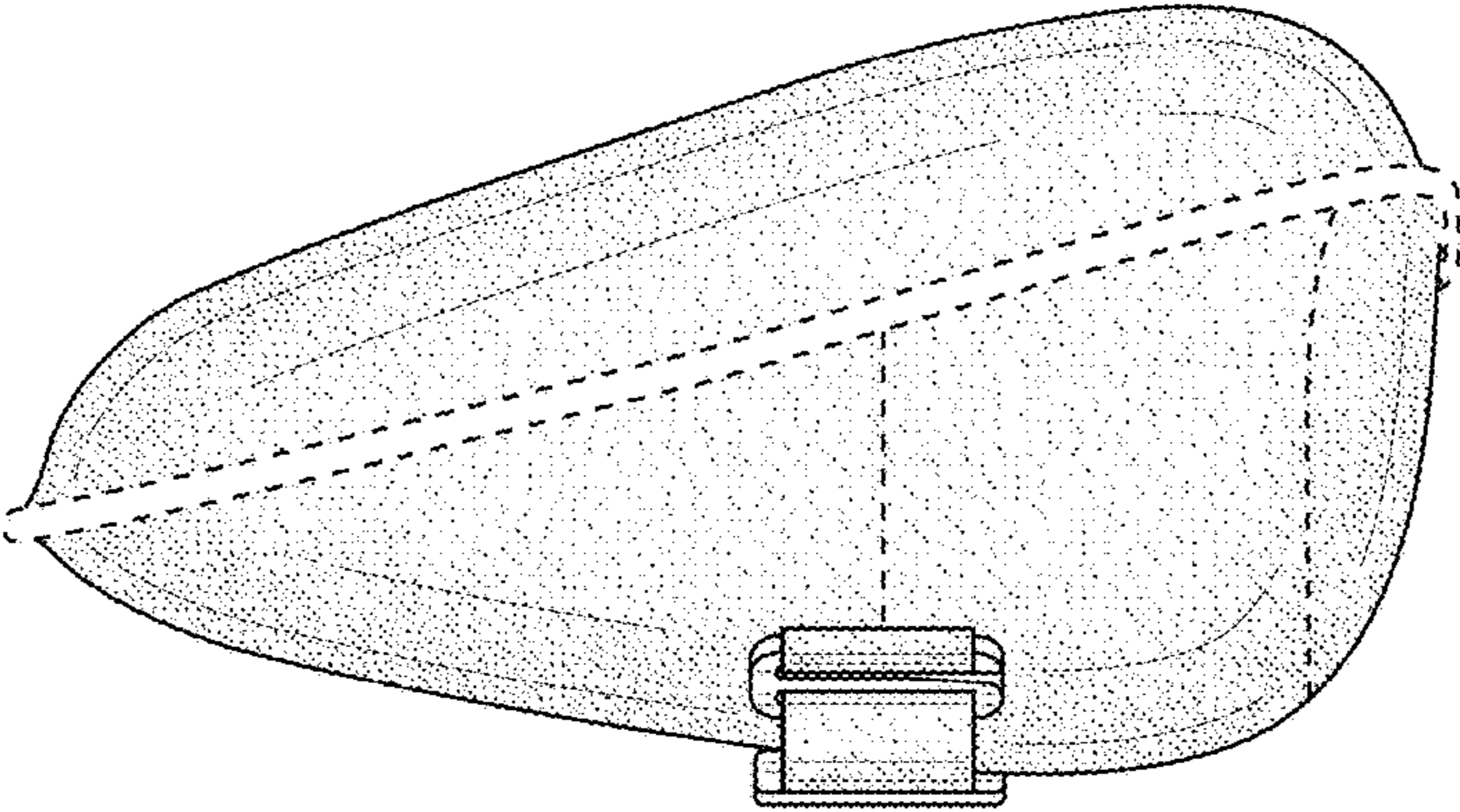


FIG. 6

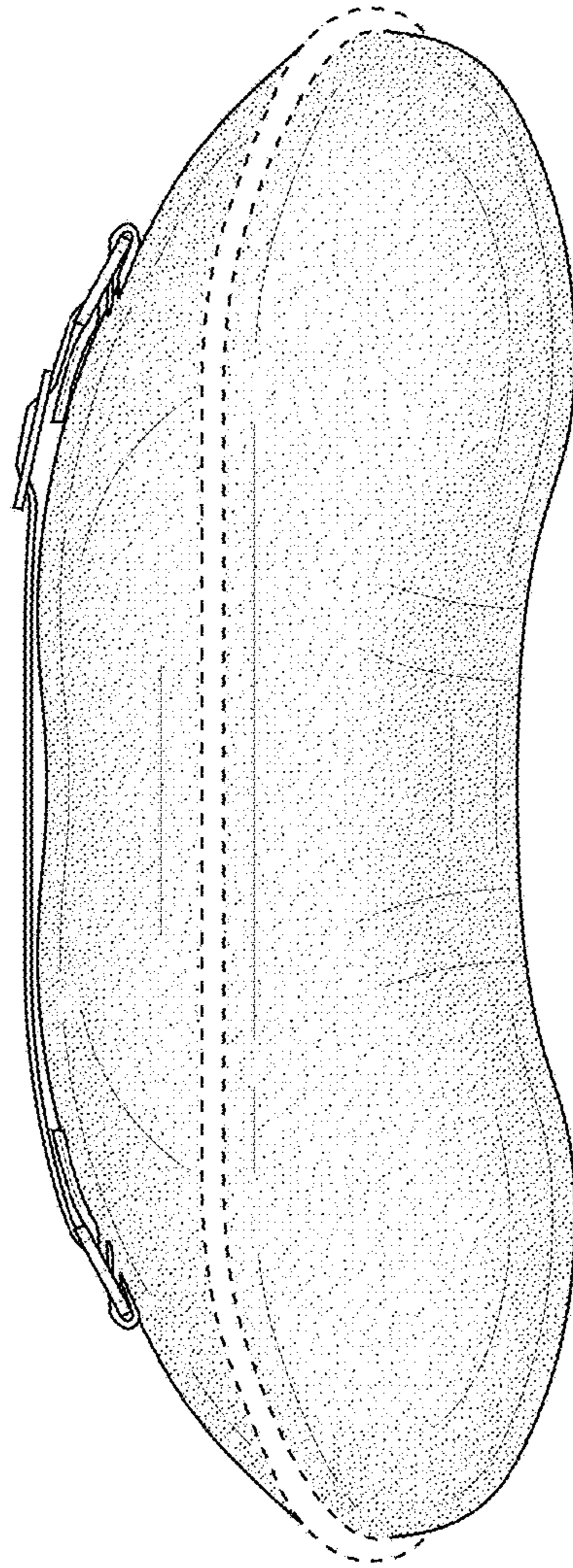


FIG. 7

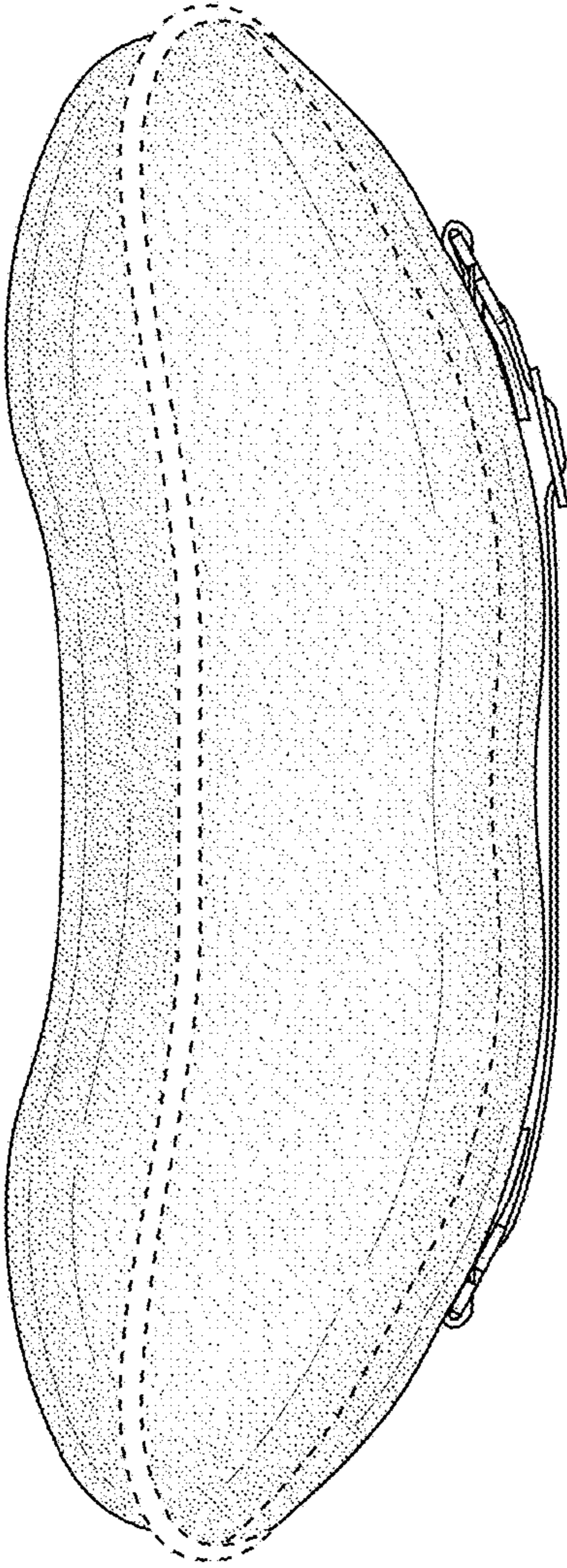


FIG. 8