



US00D851959S

(12) **United States Design Patent** (10) **Patent No.:** **US D851,959 S**  
**Goodman et al.** (45) **Date of Patent:** **\*\* Jun. 25, 2019**

(54) **BASKET**

(71) Applicant: **Spectrum Diversified Designs, LLC**,  
Streetsboro, OH (US)

(72) Inventors: **Aaron Goodman**, Beachwood, OH  
(US); **Courtney Wilson**, Chardon, OH  
(US)

(73) Assignee: **Spectrum Diversified Designs, LLC**,  
Streetsboro, OH (US)

(\*\*) Term: **15 Years**

(21) Appl. No.: **29/633,814**

(22) Filed: **Jan. 16, 2018**

(51) **LOC (11) Cl.** ..... **06-04**

(52) **U.S. Cl.**  
USPC ..... **D6/566**

(58) **Field of Classification Search**  
USPC ..... D6/546-550, 512-525, 553, 566;

211/13.1, 16, 85.5, 86.01, 87.01, 88.04,  
211/100, 105.1, 105.2, 106, 113, 123,  
211/181.1, 182-183; 248/49, 175, 176.1,  
248/200, 201, 205.1, 251, 302, 309.1,  
248/315; 108/28-29; 242/570, 590,  
242/595-598; D8/300, 315-321, 354,  
D8/363, 373, 380; D25/45; D26/51;  
D3/304, 306

CPC .. A47F 5/01; A47F 7/00; A47F 7/0028; A47F  
5/0006; A47F 5/0823; A47F 1/082; A47F  
1/121; A47F 5/02; A47F 5/0846; A47F  
5/137; A47F 7/0064; A47F 7/065; A47F  
3/0404; A47F 5/0018; A47F 5/0025;  
A47F 5/0037; A47B 55/02; A47B 81/00;  
A47B 81/007; A47B 13/14; A47B  
2097/003; A47B 2220/0008; A47B 45/00;  
A47B 49/00; A47B 57/00; A47B 57/04;  
A47B 63/00; A47B 67/00; A47B 81/04;  
A47B 96/065

See application file for complete search history.

(56) **References Cited**

U.S. PATENT DOCUMENTS

D115,255 S *	6/1939	Taylor .....	D6/566
2,746,609 A *	5/1956	Welsh .....	A47B 55/02 108/149
D242,965 S *	1/1977	Box .....	D6/574
D322,378 S *	12/1991	Colman .....	D3/306
5,564,566 A *	10/1996	Lamb .....	B25H 3/00 206/349
D407,930 S *	4/1999	Camilleri .....	D3/306
D455,460 S *	4/2002	Cheris .....	D19/92
D458,640 S *	6/2002	Hofman .....	D19/75
D475,411 S *	6/2003	Hardy .....	D19/90
D498,632 S *	11/2004	Anderson .....	D6/566
D508,167 S *	8/2005	Anderson .....	D3/306

(Continued)

*Primary Examiner* — David G Muller

*Assistant Examiner* — Nathan M Johnston

(74) *Attorney, Agent, or Firm* — Tucker Ellis LLP

(57) **CLAIM**

The ornamental design for a basket, as shown and described.

**DESCRIPTION**

FIG. 1 is a perspective view of a basket showing our new design.

FIG. 2 is a rear view thereof.

FIG. 3 is a front view thereof.

FIG. 4 is a right side view thereof.

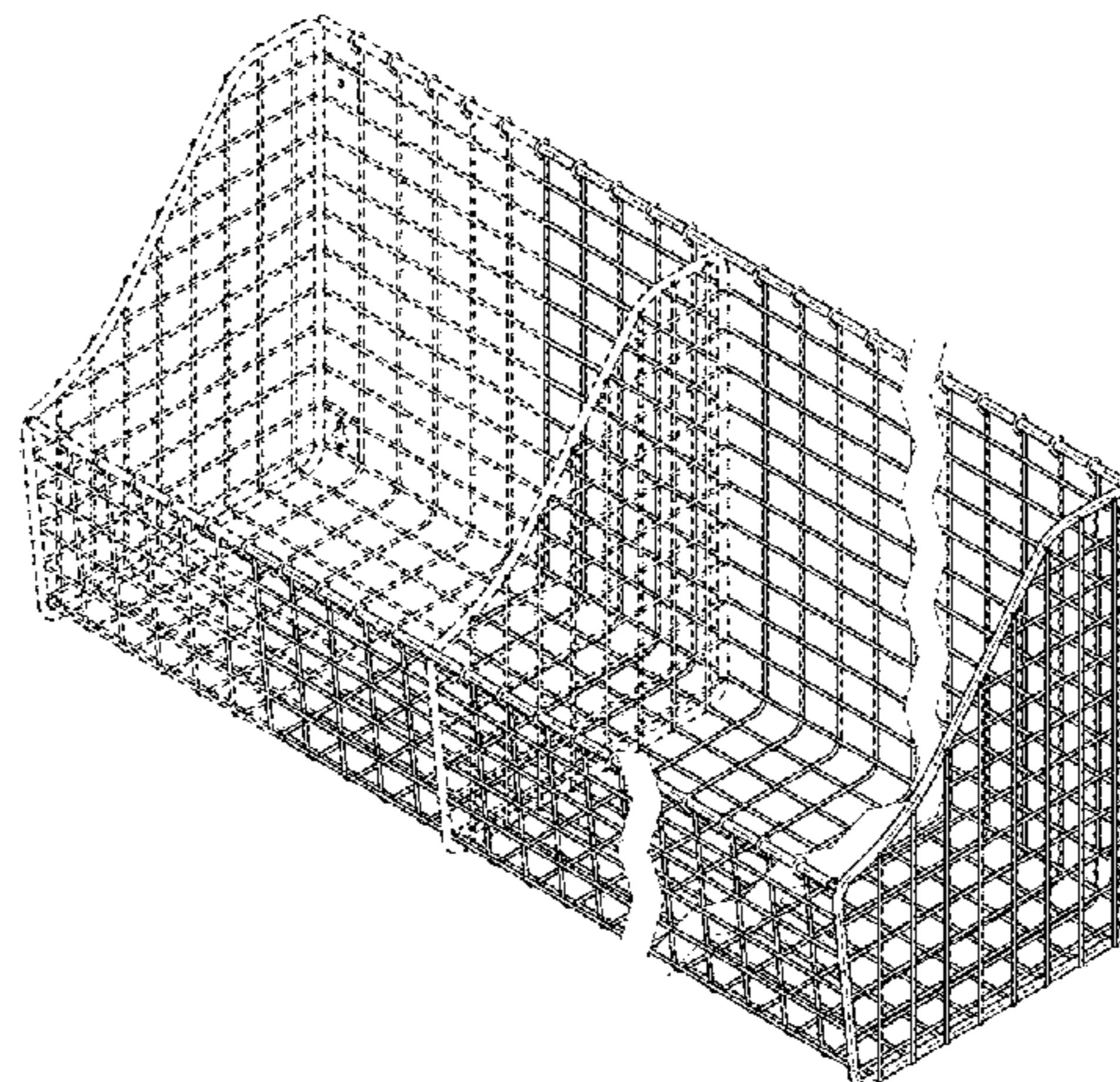
FIG. 5 is a left side view thereof.

FIG. 6 is a top view thereof; and,

FIG. 7 is a bottom view thereof.

The broken lines show portions of the design that form no part of the claimed design. The basket is shown with symbolic breaks in its length. The appearance of any portion of the article between the break lines forms no part of the claimed design.

**1 Claim, 4 Drawing Sheets**



(56)

**References Cited**

U.S. PATENT DOCUMENTS

D508,321	S	*	8/2005	Anderson	.....	D3/306
D530,962	S	*	10/2006	Wood	.....	D6/566
D551,454	S	*	9/2007	Cheng	.....	D3/306
D551,483	S	*	9/2007	Goodman	.....	D6/566
D617,591	S	*	6/2010	Snider	.....	D3/306
D621,193	S	*	8/2010	Bauchet	.....	D6/574
8,413,822	B2	*	4/2013	Bailey	.....	A47B 23/043 211/175
D690,108	S	*	9/2013	Goodman	.....	D3/306
D693,577	S	*	11/2013	Goodman	.....	D3/306
D773,206	S	*	12/2016	Chang	.....	D6/566
D784,698	S		4/2017	Goodman et al.		
D799,831	S	*	10/2017	Hsu	.....	D3/313
D808,605	S	*	1/2018	Yuan	.....	D32/55
D811,121	S	*	2/2018	Goodman	.....	D6/549
D833,772	S	*	11/2018	Tuang	.....	D6/566
2003/0010736	A1	*	1/2003	Hope	.....	D06F 58/04 211/133.5

\* cited by examiner

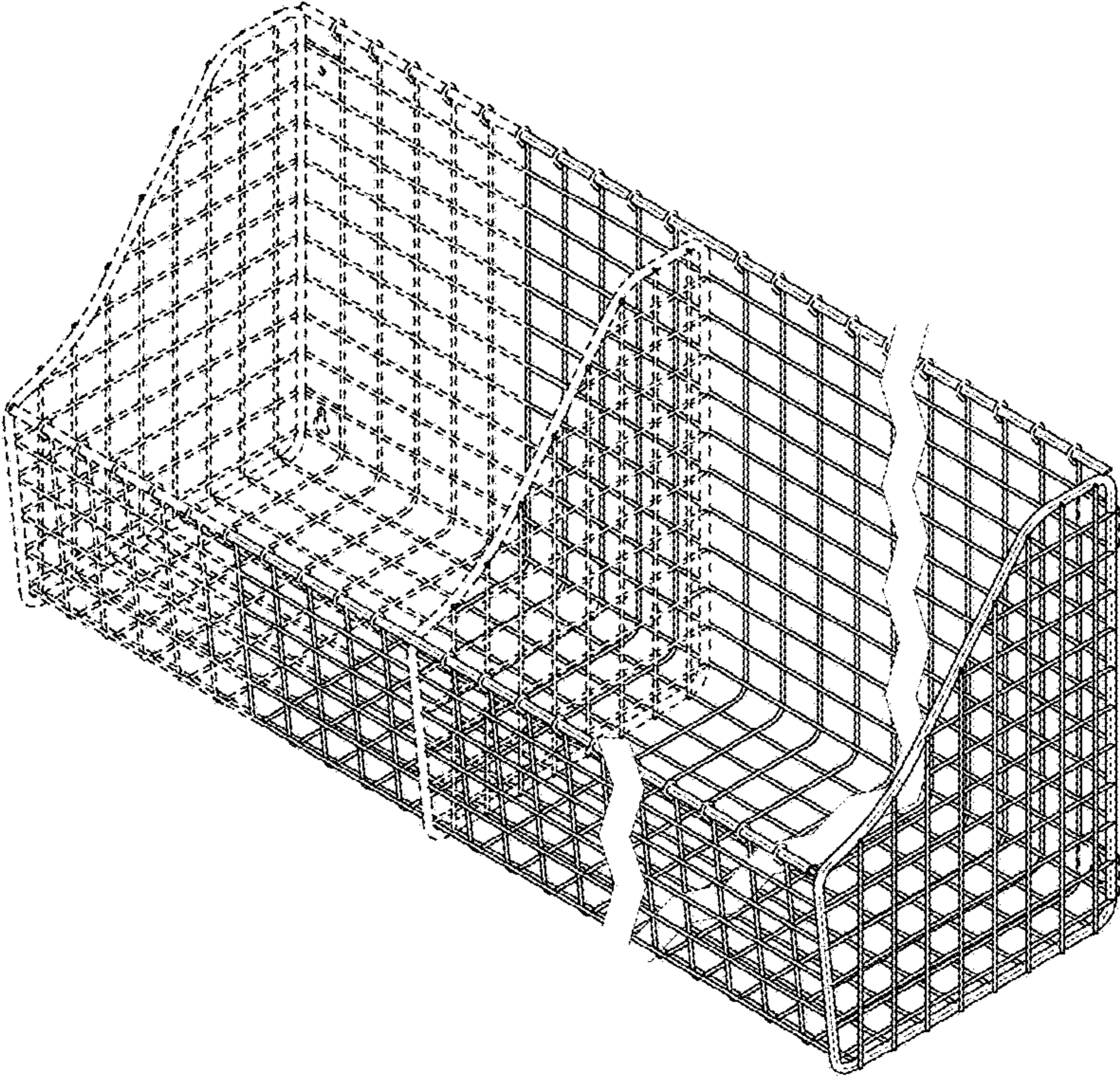
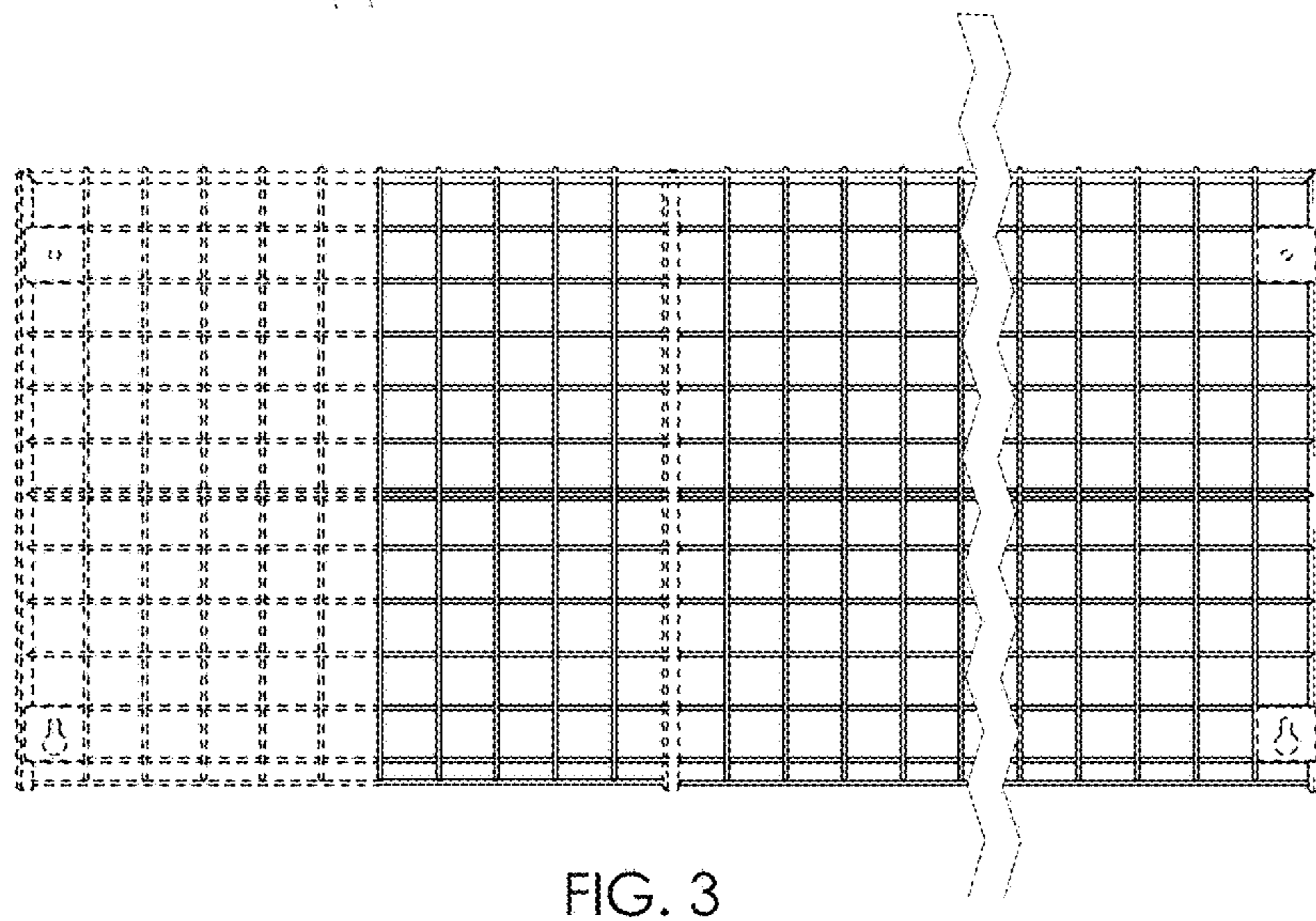
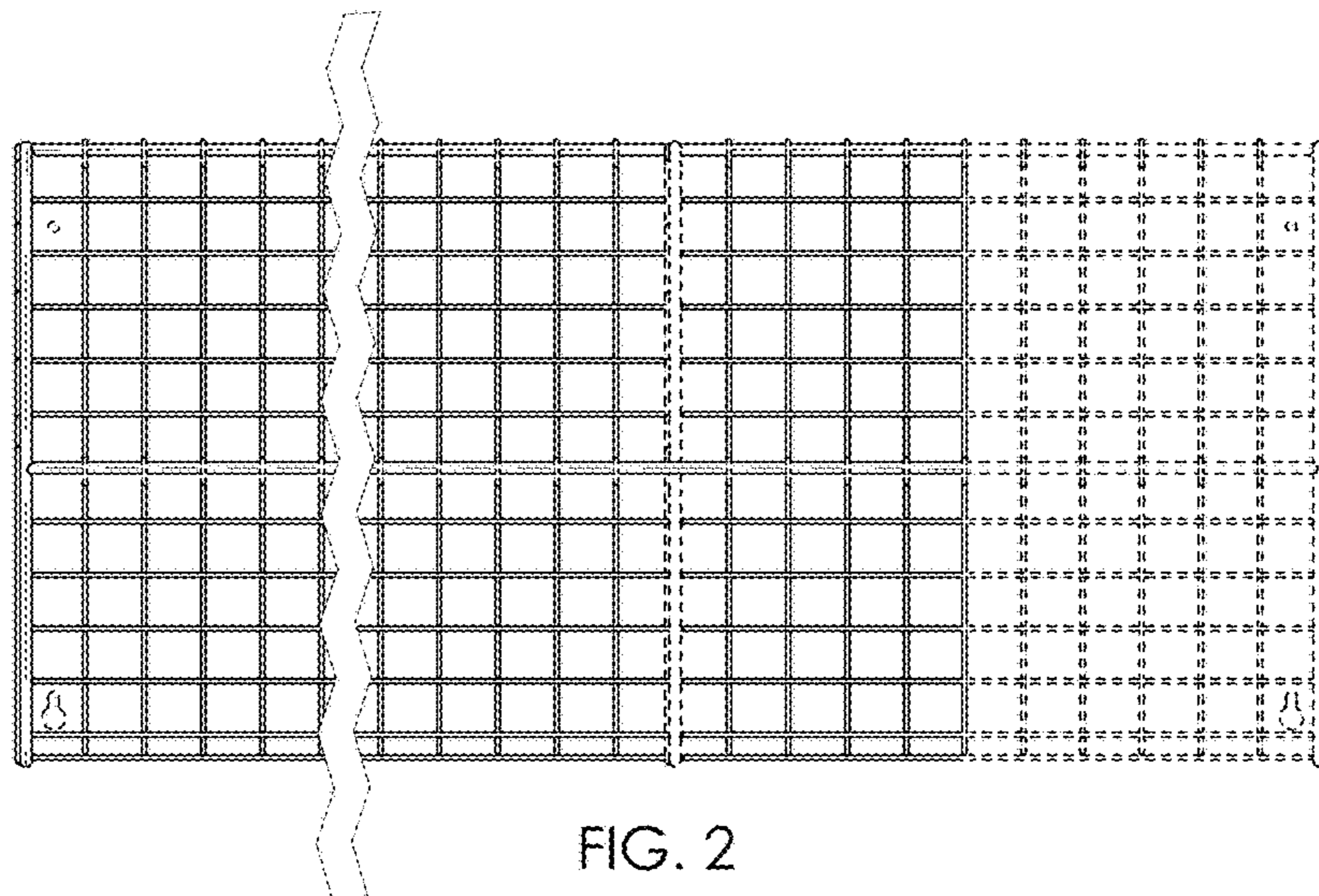


FIG. 1



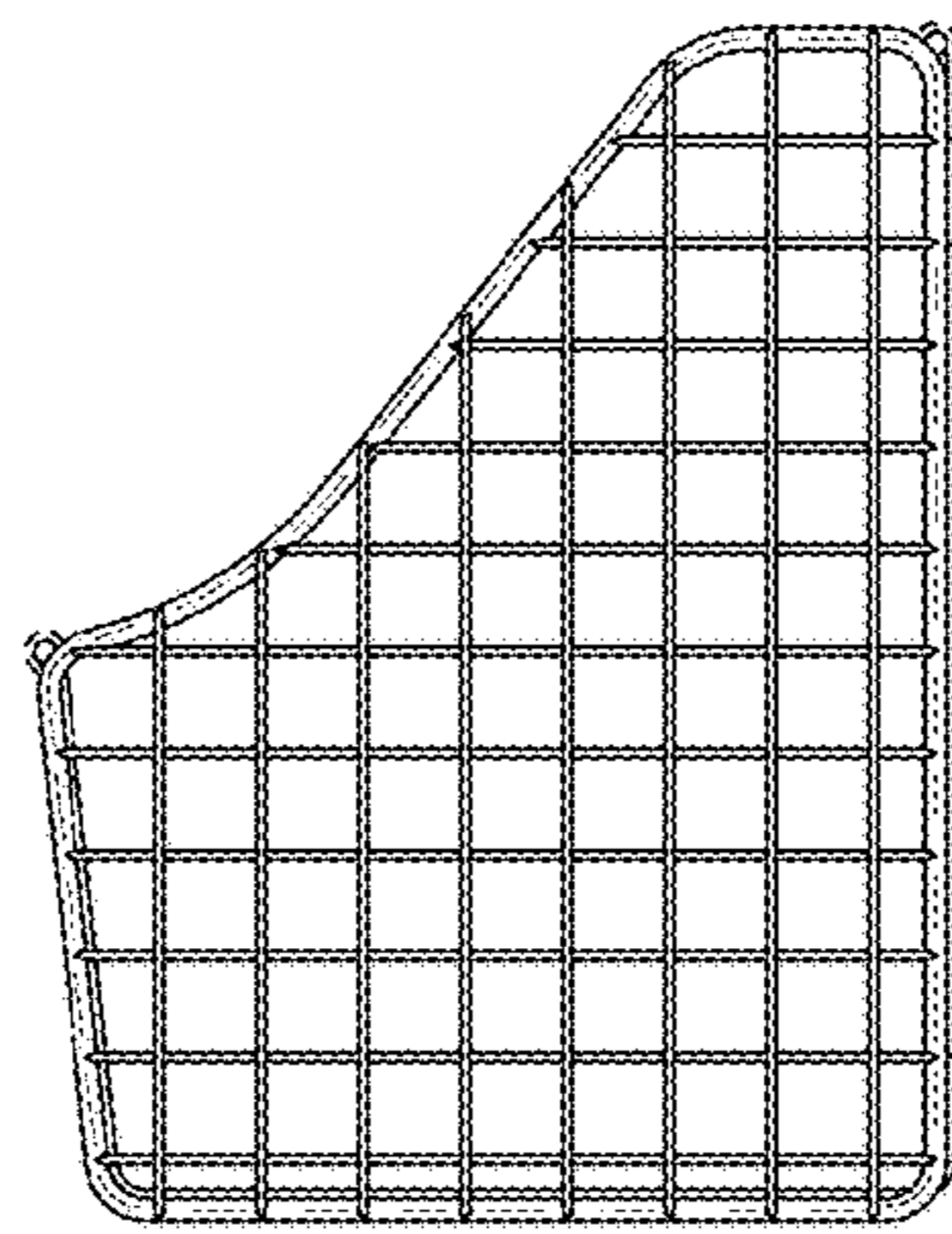


FIG. 4

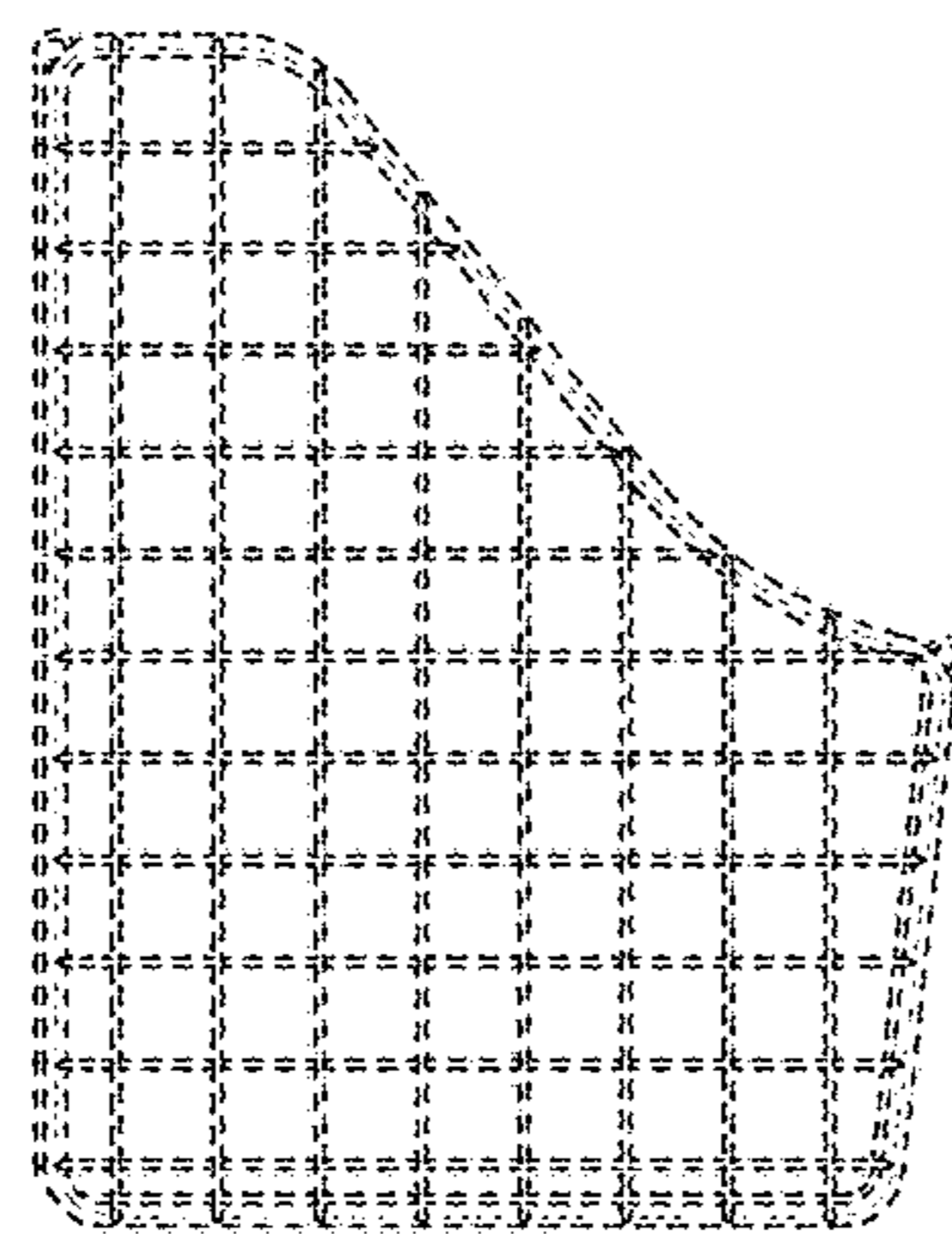


FIG. 5

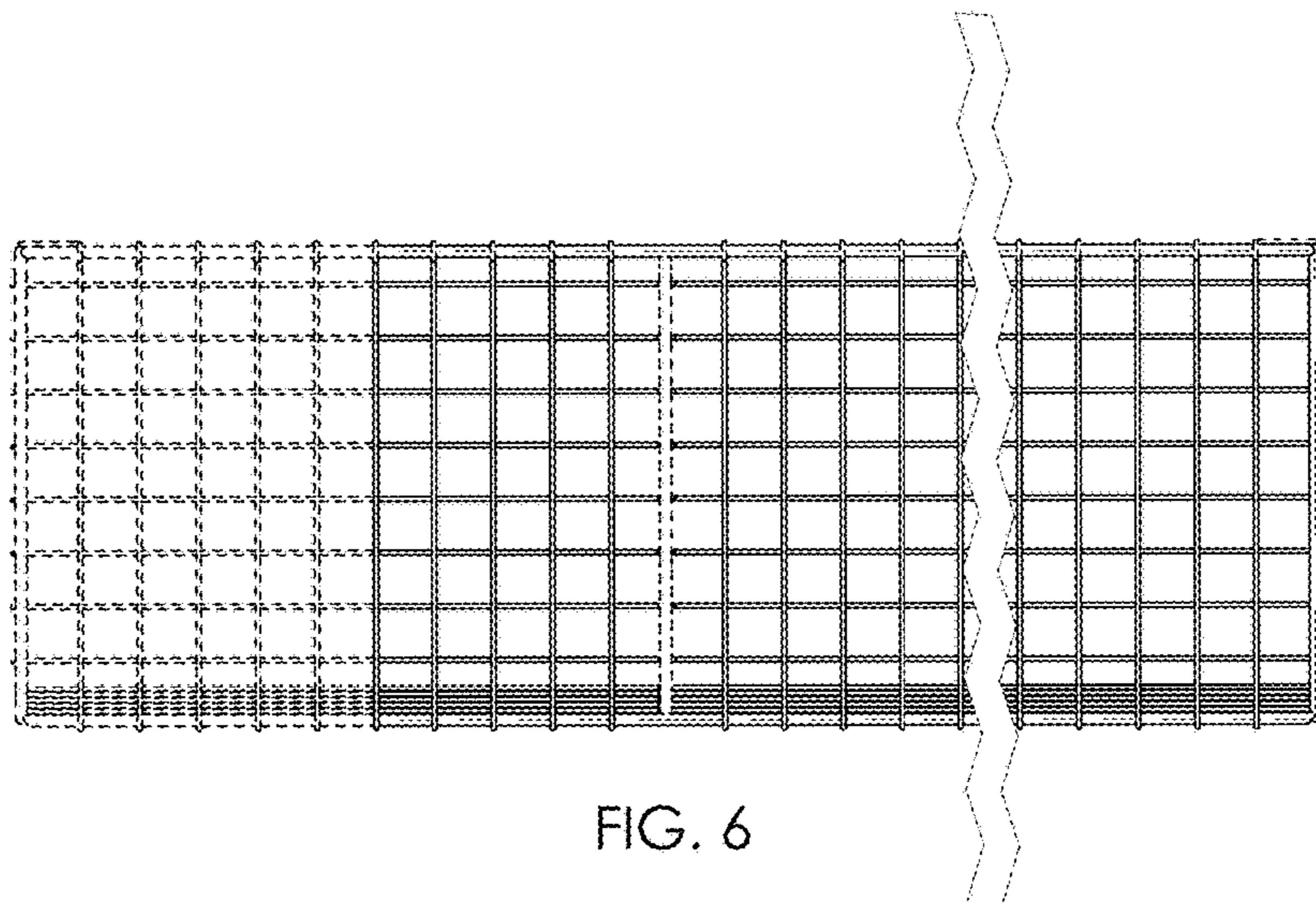


FIG. 6

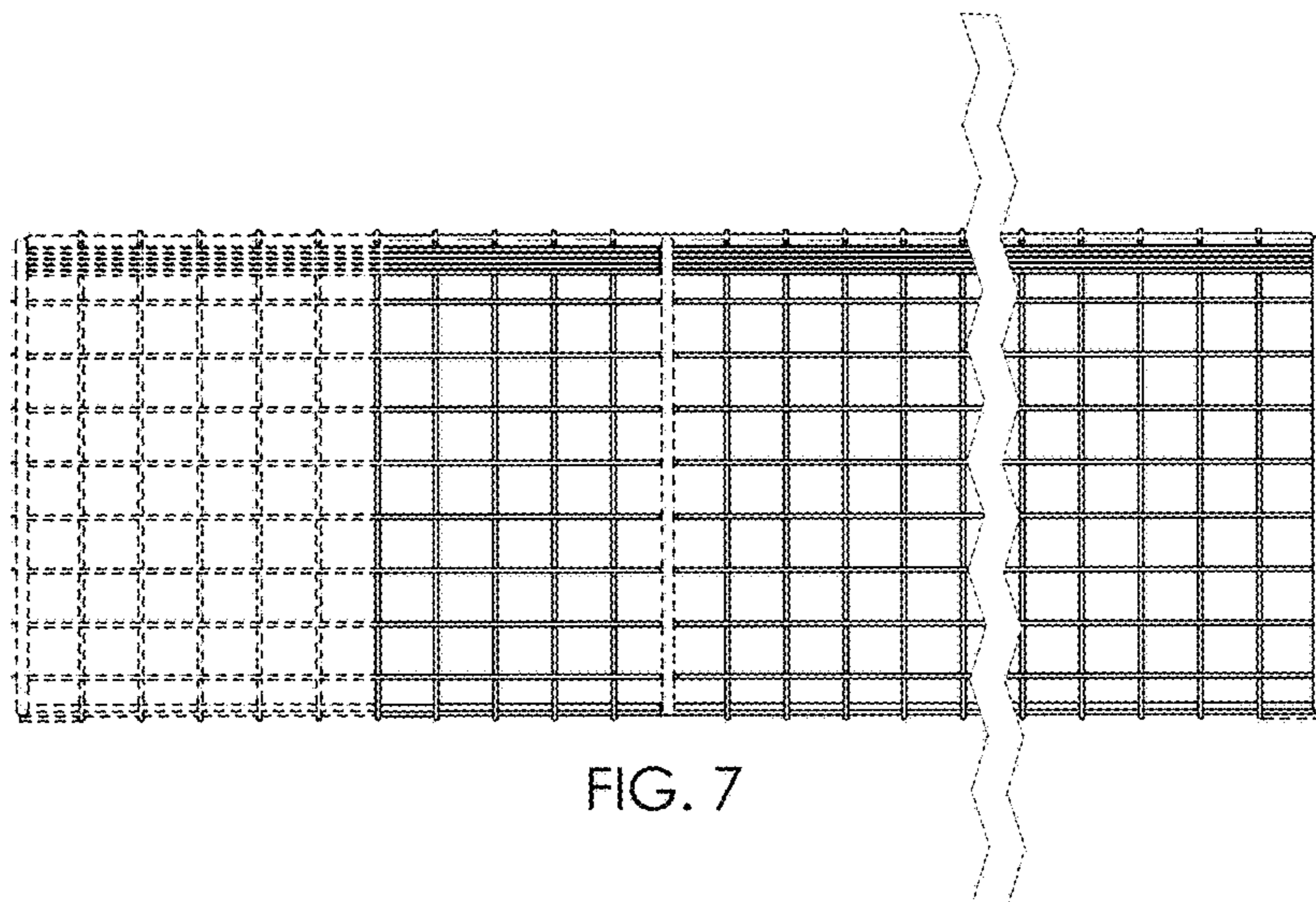


FIG. 7