



US00D851957S

(12) **United States Design Patent**  
**Lee et al.**

(10) **Patent No.:** **US D851,957 S**  
(45) **Date of Patent:** **\*\* Jun. 25, 2019**

- (54) **SURFBOARD CRADLE**
- (71) Applicant: **JCTECH CO., LTD.**, Incheon (KR)
- (72) Inventors: **Young-jae Lee**, Seoul (KR); **Ho-jae Lee**, Bucheon-si (KR); **Young-kook Cho**, Marietta, GA (US)
- (73) Assignee: **JCTECH CO., LTD.** (KR)
- (\*\*) Term: **15 Years**
- (21) Appl. No.: **29/629,751**
- (22) Filed: **Dec. 15, 2017**
- (51) **LOC (11) Cl.** ..... **08-08**
- (52) **U.S. Cl.**  
USPC ..... **D6/552**
- (58) **Field of Classification Search**  
USPC ..... D6/552; D8/5, 176, 180, 163, 373;  
D3/254; 211/85.7, 70.8, 195, 13.1, 59.1,  
211/87.01; 248/164, 431, 432, 165, 146,  
248/434, 439, 172, 173, 533, 121, 126,  
248/127, 176.1, 351; D21/221, 223, 686  
CPC ..... B63B 35/7946; B63B 1/248; B63B 1/242;  
B63B 35/7923; B63B 2035/715; B63B  
3/42; B60R 9/045; B60R 9/04; B60R  
9/08; B60R 9/12; B60P 3/1008; A47B  
47/024; A47B 57/045  
See application file for complete search history.

(56) **References Cited**

**U.S. PATENT DOCUMENTS**

- D243,492 S \* 3/1977 Gorwits ..... D6/312
- D249,953 S \* 10/1978 Drake ..... D19/91
- D265,873 S \* 8/1982 Smith ..... D19/91
- D351,978 S \* 11/1994 Tanzer ..... D8/71
- D353,729 S \* 12/1994 MacOwan ..... D6/682
- 5,639,001 A 6/1997 Brady
- D383,909 S \* 9/1997 Salas ..... D6/310
- D442,873 S \* 5/2001 Koennecke ..... D10/103

- D450,782 S \* 11/2001 Chan ..... D21/475
- D502,541 S \* 3/2005 Abry ..... D24/128
- D538,554 S \* 3/2007 Tai ..... D6/682
- D596,875 S \* 7/2009 Small ..... D6/682
- D597,217 S \* 7/2009 Wounder ..... D24/224
- D636,397 S \* 4/2011 Green ..... D14/447
- D638,021 S \* 5/2011 Derry ..... D14/447
- 8,002,126 B1 8/2011 Drum
- D646,903 S \* 10/2011 Santana ..... D6/310
- D647,326 S \* 10/2011 Kellett ..... D6/682.4
- 8,157,110 B1 4/2012 Drum
- D672,578 S \* 12/2012 Linder ..... D6/708.16
- D675,039 S \* 1/2013 Foisy ..... D6/682.1
- D701,510 S \* 3/2014 Brisbin ..... D14/447
- D704,197 S \* 5/2014 Aber ..... D14/447
- D704,968 S \* 5/2014 Steger ..... D6/682.4
- D730,888 S \* 6/2015 Malsan ..... D14/253

(Continued)

*Primary Examiner* — David G Muller

*Assistant Examiner* — Nathan M Johnston

(74) *Attorney, Agent, or Firm* — Park & Associates IP Law, P.C.

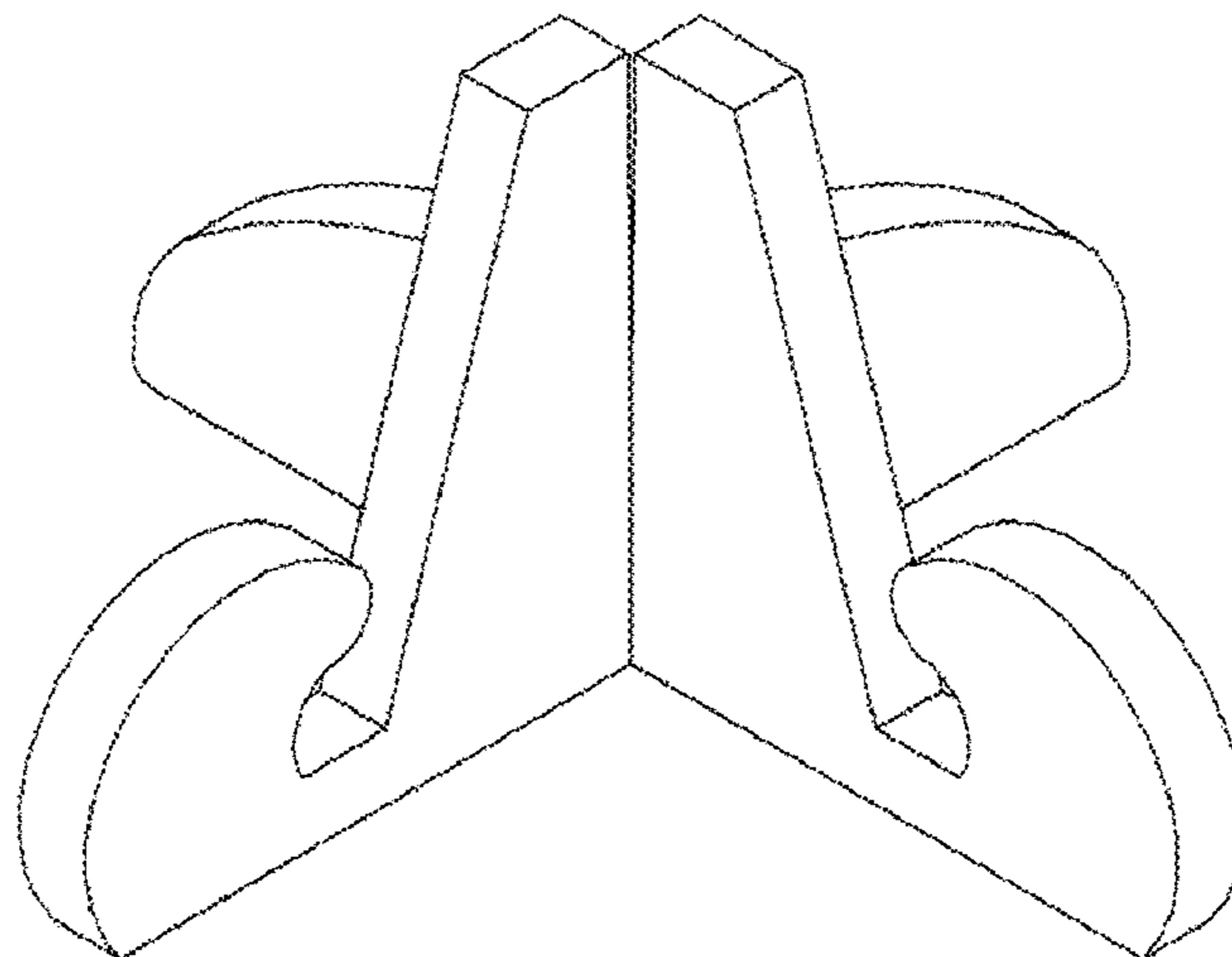
(57) **CLAIM**

The ornamental design for a surfboard cradle, as shown and described.

**DESCRIPTION**

FIG. 1 is a perspective view of the surfboard cradle in accordance with the new design;  
 FIG. 2 is a front elevational view thereof;  
 FIG. 3 is a rear elevational view thereof;  
 FIG. 4 is a left side elevational view thereof;  
 FIG. 5 is a right side elevational view thereof;  
 FIG. 6 is a top plan view thereof;  
 FIG. 7 is a bottom plan view thereof; and,  
 FIG. 8 is a reference view illustrating a usage of the surfboard cradle with a main surfboard.  
 The broken lines are shown for environmental purposes only and form no part of the claimed design.

**1 Claim, 5 Drawing Sheets**



(56)

**References Cited**

U.S. PATENT DOCUMENTS

D754,459 S \* 4/2016 Wilton ..... D6/682.3  
D758,072 S 6/2016 Chase  
D771,615 S \* 11/2016 Pignotti ..... D14/253  
D791,520 S \* 7/2017 Hu ..... D6/682.3  
2012/0074277 A1\* 3/2012 Krumpe ..... A47G 25/0607  
248/220.21  
2017/0313392 A1 11/2017 Goodman

\* cited by examiner

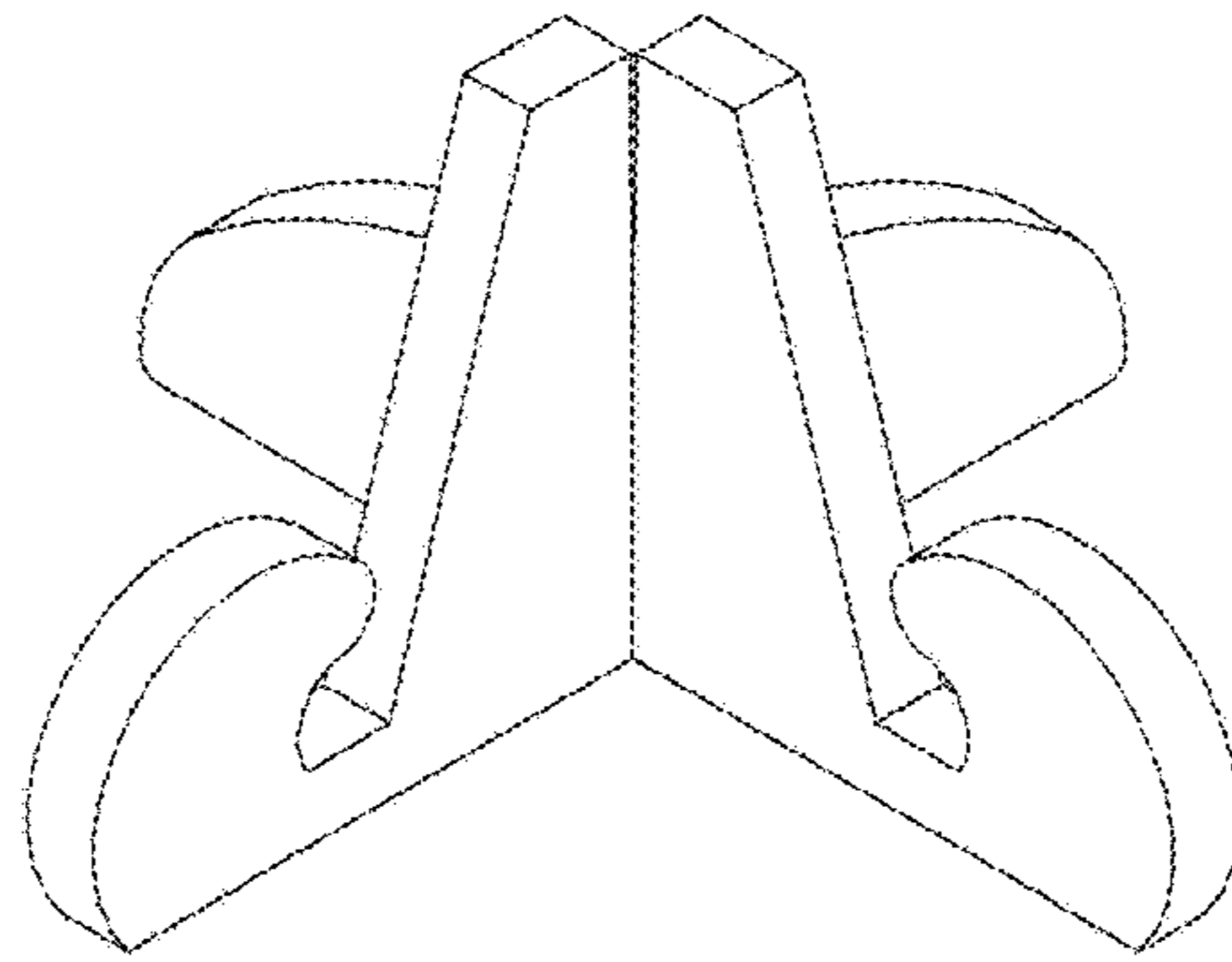


FIG. 1

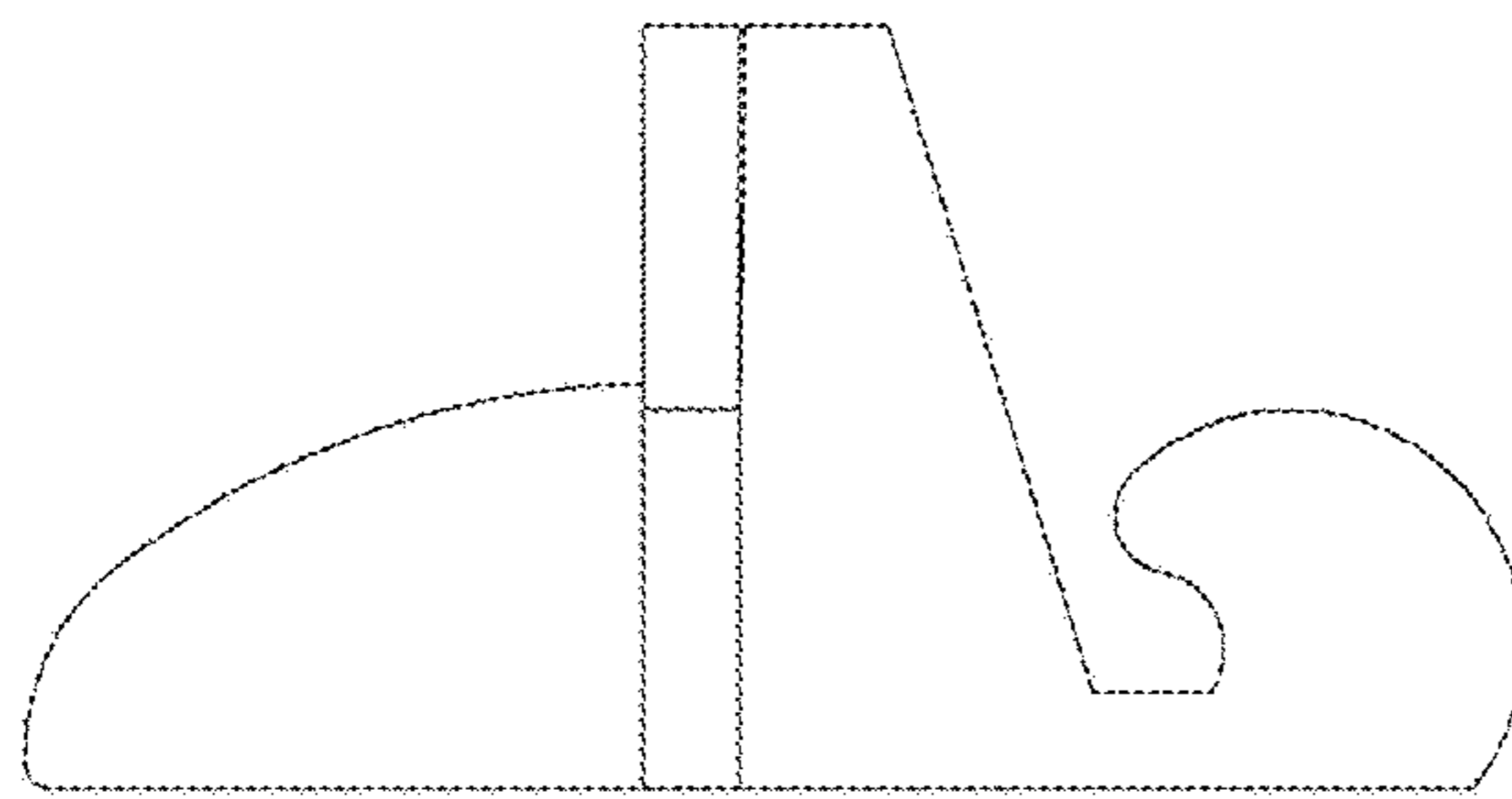


FIG. 2

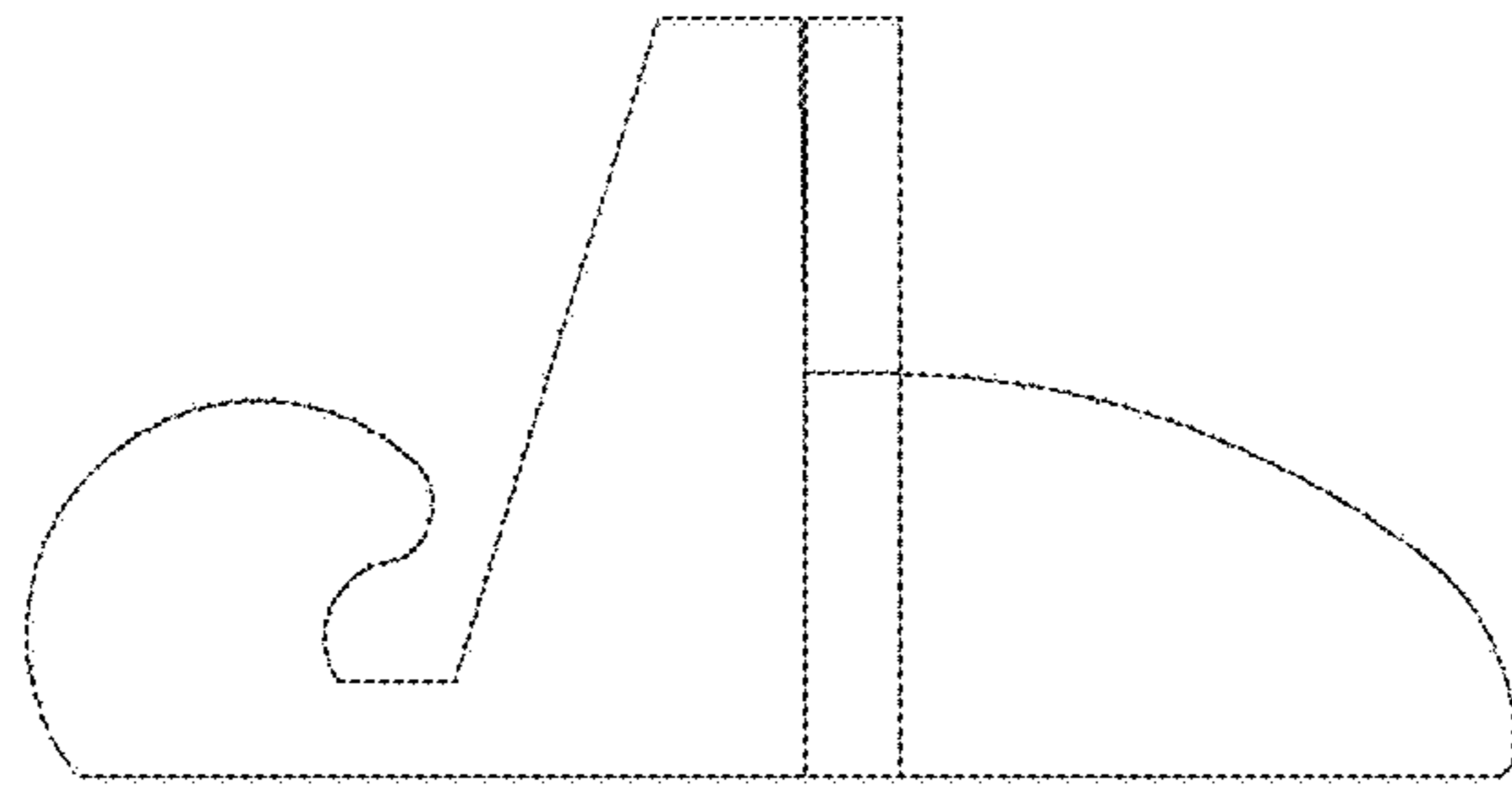


FIG. 3

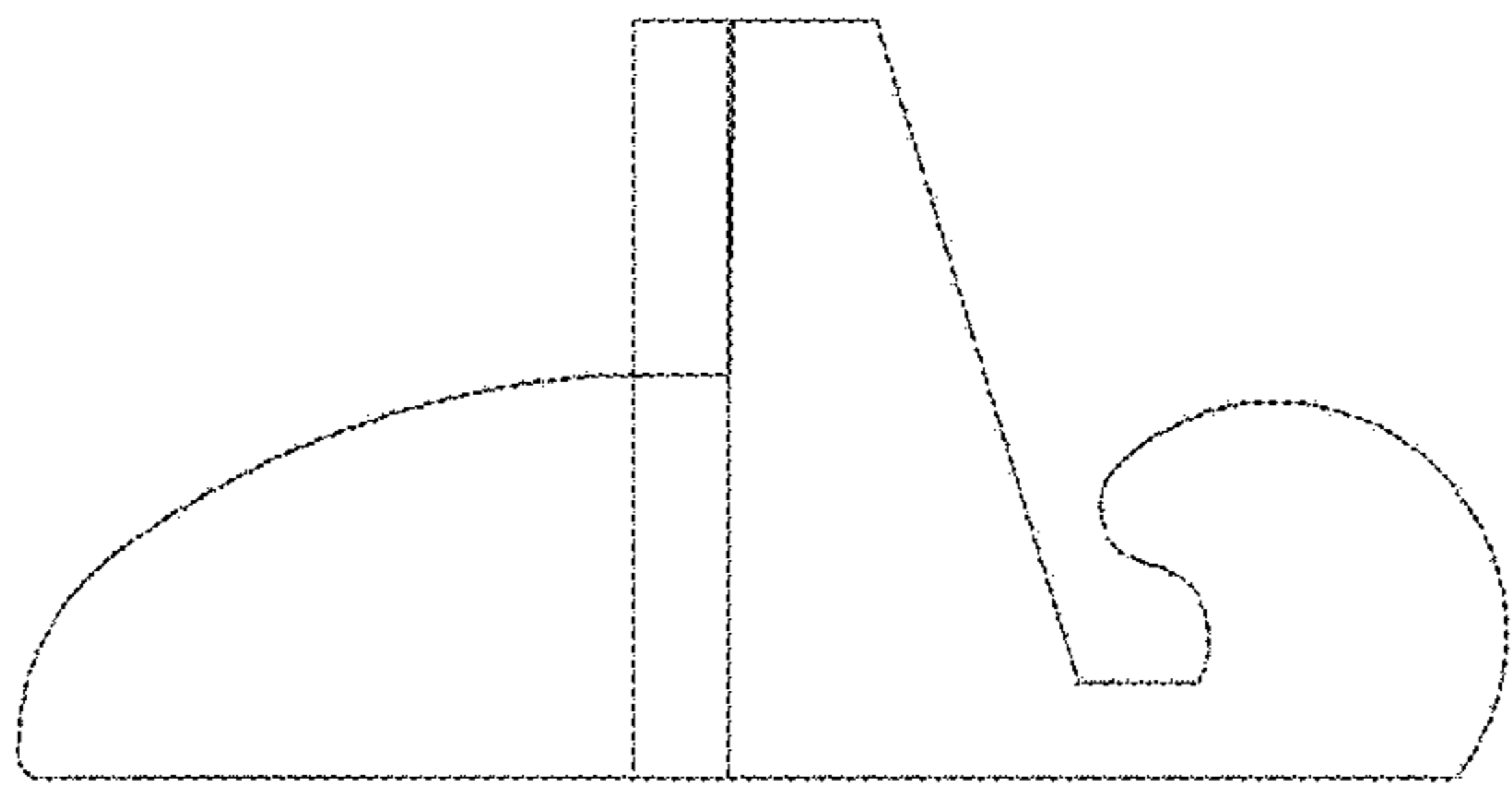


FIG. 4

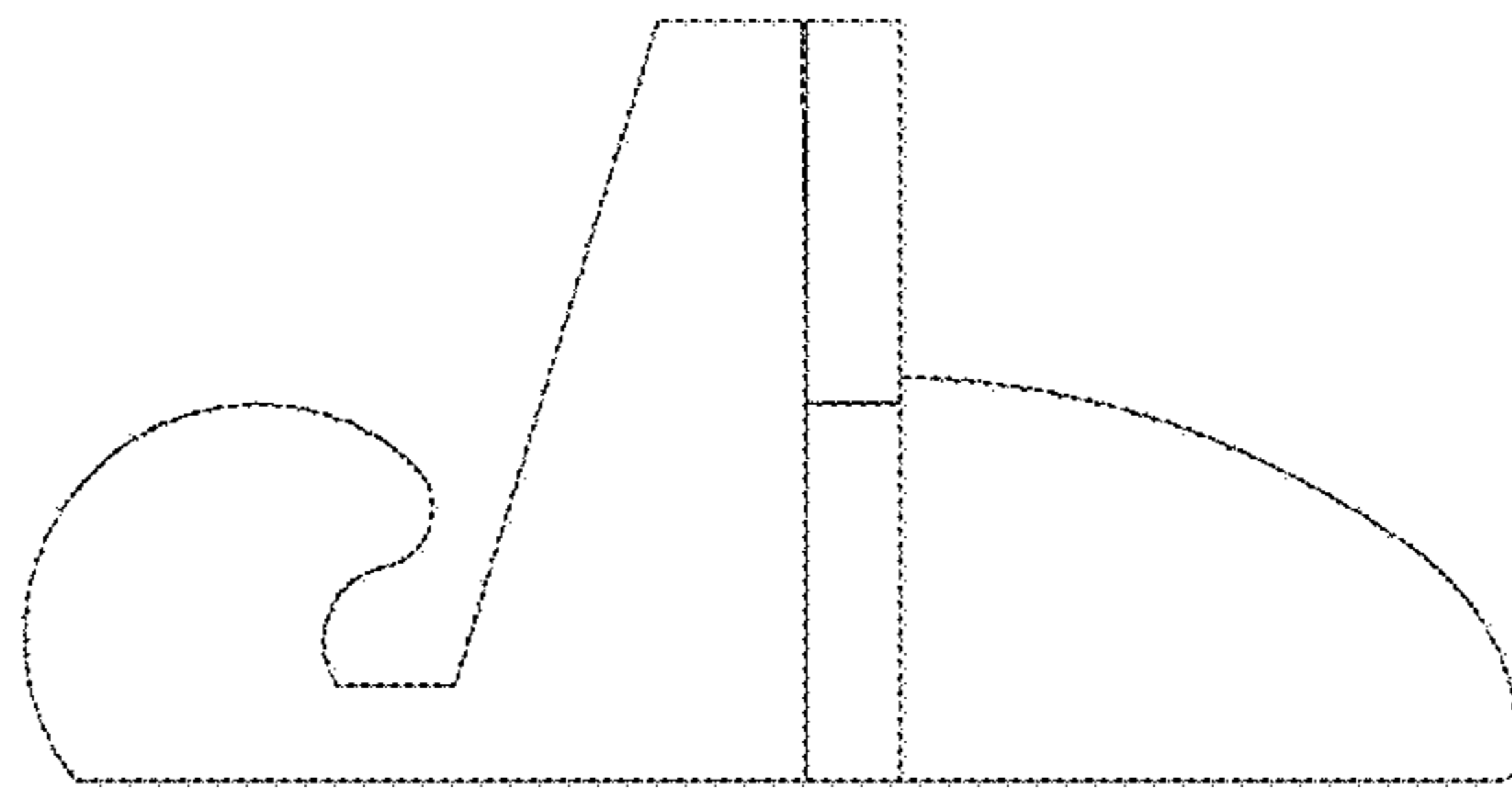


FIG. 5

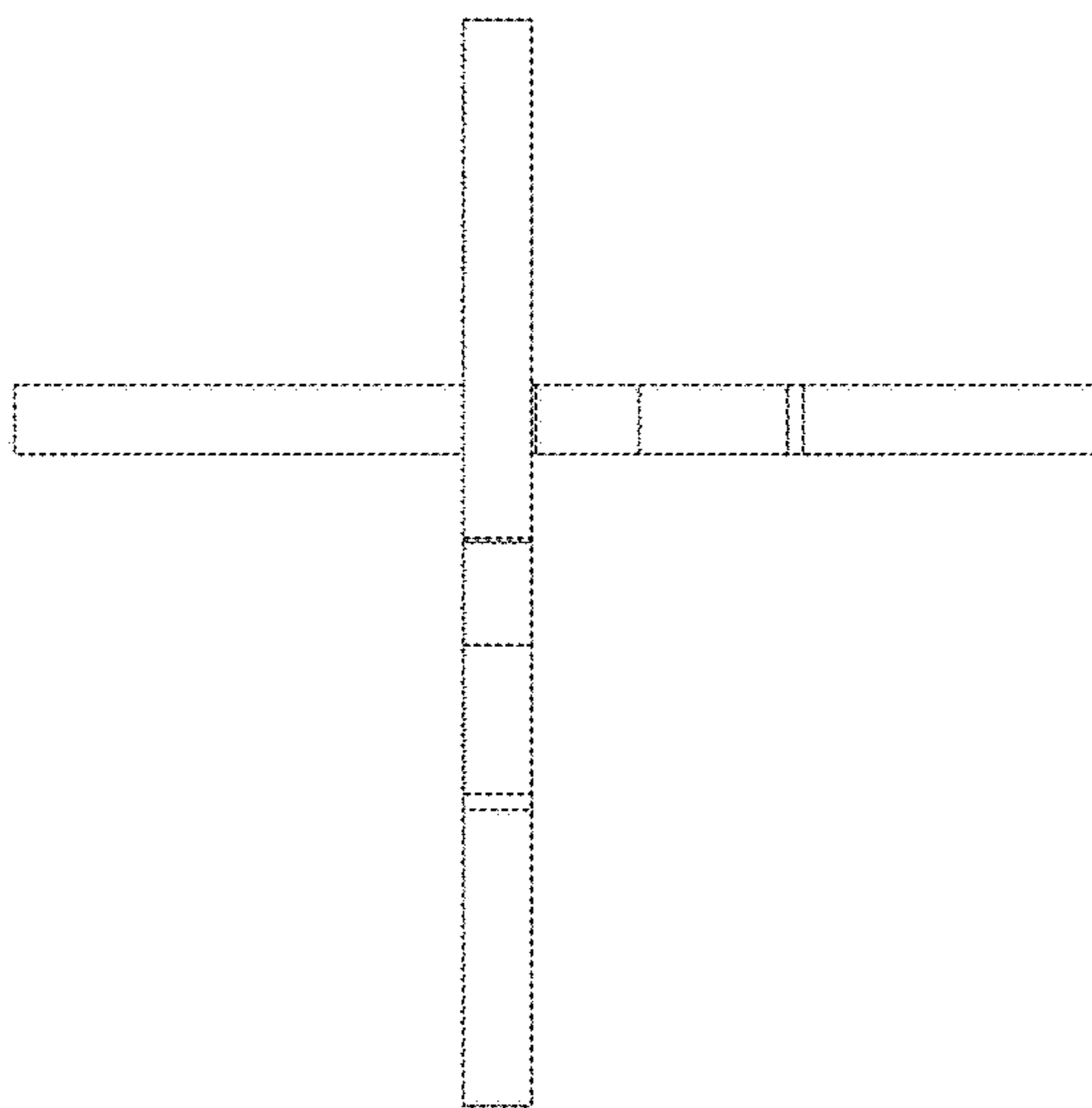


FIG. 6

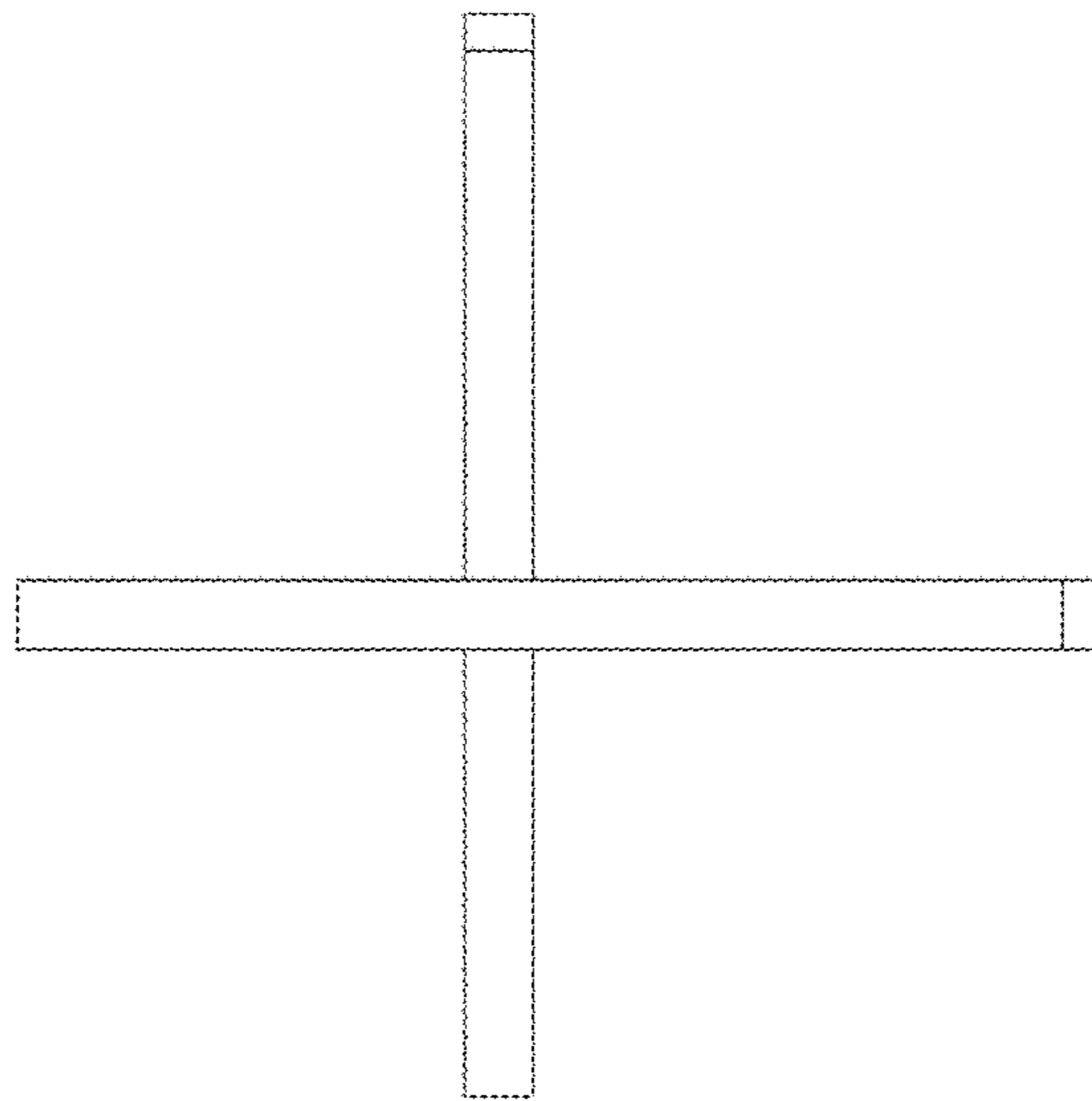


FIG. 7

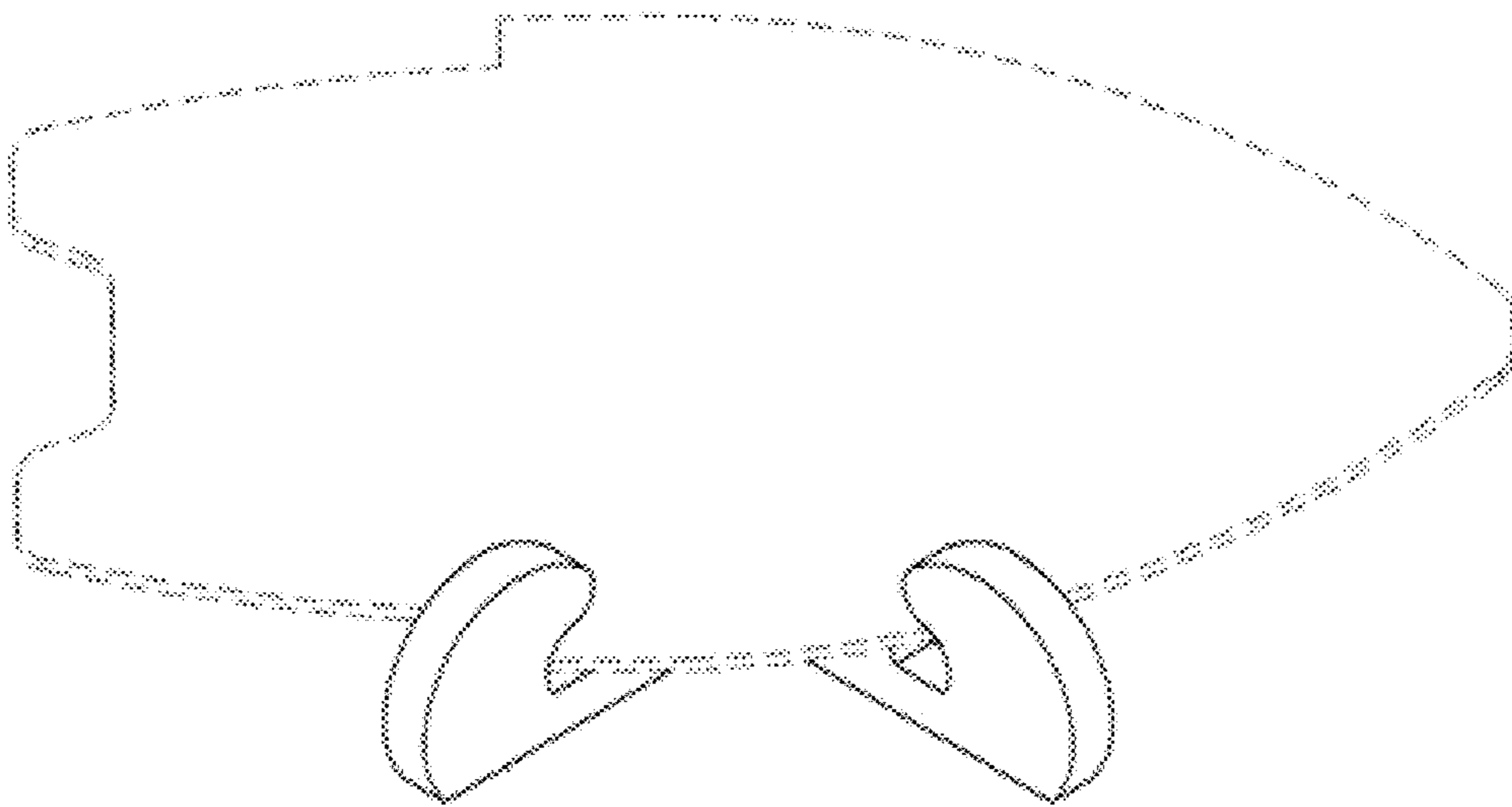


FIG. 8