



US00D851955S

(12) **United States Design Patent** (10) **Patent No.:** **US D851,955 S**
Smith (45) **Date of Patent:** **** Jun. 25, 2019**

(54) **WOODEN SOAP TRAY**
(71) Applicant: **David J. Smith**, Marana, AZ (US)
(72) Inventor: **David J. Smith**, Marana, AZ (US)
(**) Term: **15 Years**
(21) Appl. No.: **29/679,835**
(22) Filed: **Feb. 11, 2019**
(51) **LOC (11) Cl.** **23-02**
(52) **U.S. Cl.**
USPC **D6/536**
(58) **Field of Classification Search**
USPC D6/536, 529, 532, 539-540; D7/502,
D7/550.1, 554.2; D21/108, 124, 125,
D21/386, 389, 404, 468, 470, 471,
D21/484-505; D30/121, 128, 130, 132,
D30/133; 108/154, 155; 206/557, 823;
D25/55, 113, 118, 122, 126, 157
CPC A63H 33/00; A63H 33/04; A63H 33/044;
A63H 33/06; A63H 33/08; A63H 33/084;
A63H 33/086; A63H 33/088; A63H
33/10; A63H 33/12; A63H 33/105; A63H
33/108; A63H 3/00; A63H 3/16; A63H
3/46; E04C 1/00; E04C 1/40; E04B 2/14;
E04B 2/16; E04B 2/18; A47K 5/02;
A47K 5/03; A47K 5/04
See application file for complete search history.

D416,414 S 11/1999 Hampshire
D449,476 S 10/2001 Ingram
D449,752 S 10/2001 Snell
D453,651 S 2/2002 Snell
D532,234 S 11/2006 Snell
D561,847 S * 2/2008 Glickman D21/500
D713,652 S * 9/2014 Barclay D6/536
2008/0169208 A1 * 7/2008 Li A47K 5/05
206/77.1

* cited by examiner

Primary Examiner — Wan Laymon
Assistant Examiner — Mark Booker
(74) *Attorney, Agent, or Firm* — Mitchell Law PLLC;
Matthew W. Mitchell

(57) **CLAIM**

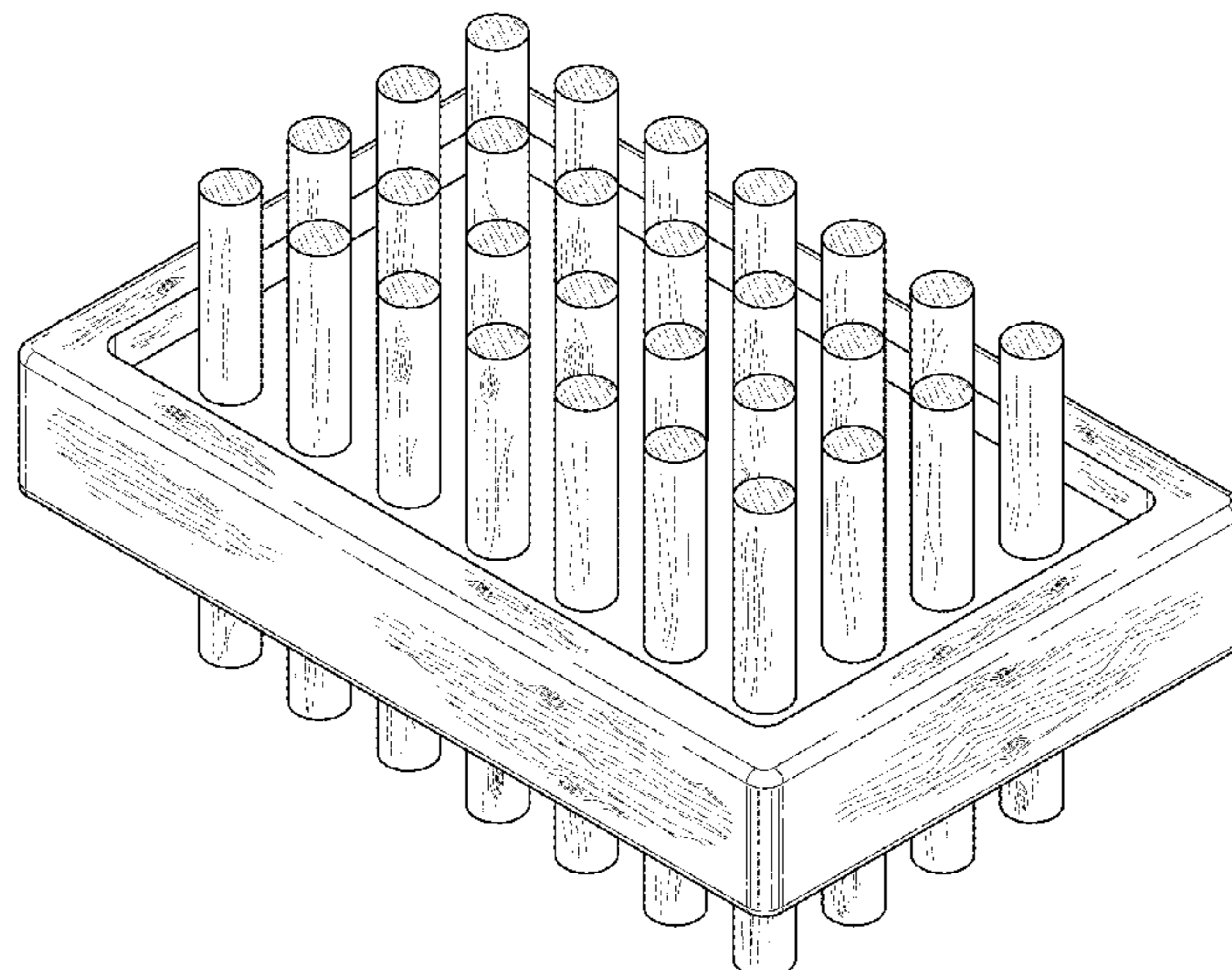
The ornamental design for a wooden soap tray, as shown and described.

DESCRIPTION

FIG. 1 is a top isometric view of the wooden soap tray of the present invention having a wood-grain exterior surface; FIG. 2 is a second top isometric view thereof; FIG. 3 is bottom isometric view thereof; FIG. 4 is a front view, the rear view being a mirror image thereof; FIG. 5 is a left-side view, the right side view being a mirror image thereof; FIG. 6 is a top plan view thereof; and, FIG. 7 is a bottom plan view thereof. The wood grain pattern fragmentarily shown is understood to extend throughout the areas represented.

1 Claim, 7 Drawing Sheets

(56) **References Cited**
U.S. PATENT DOCUMENTS
D154,583 S 7/1949 Barg
D188,453 S 7/1960 Marcus



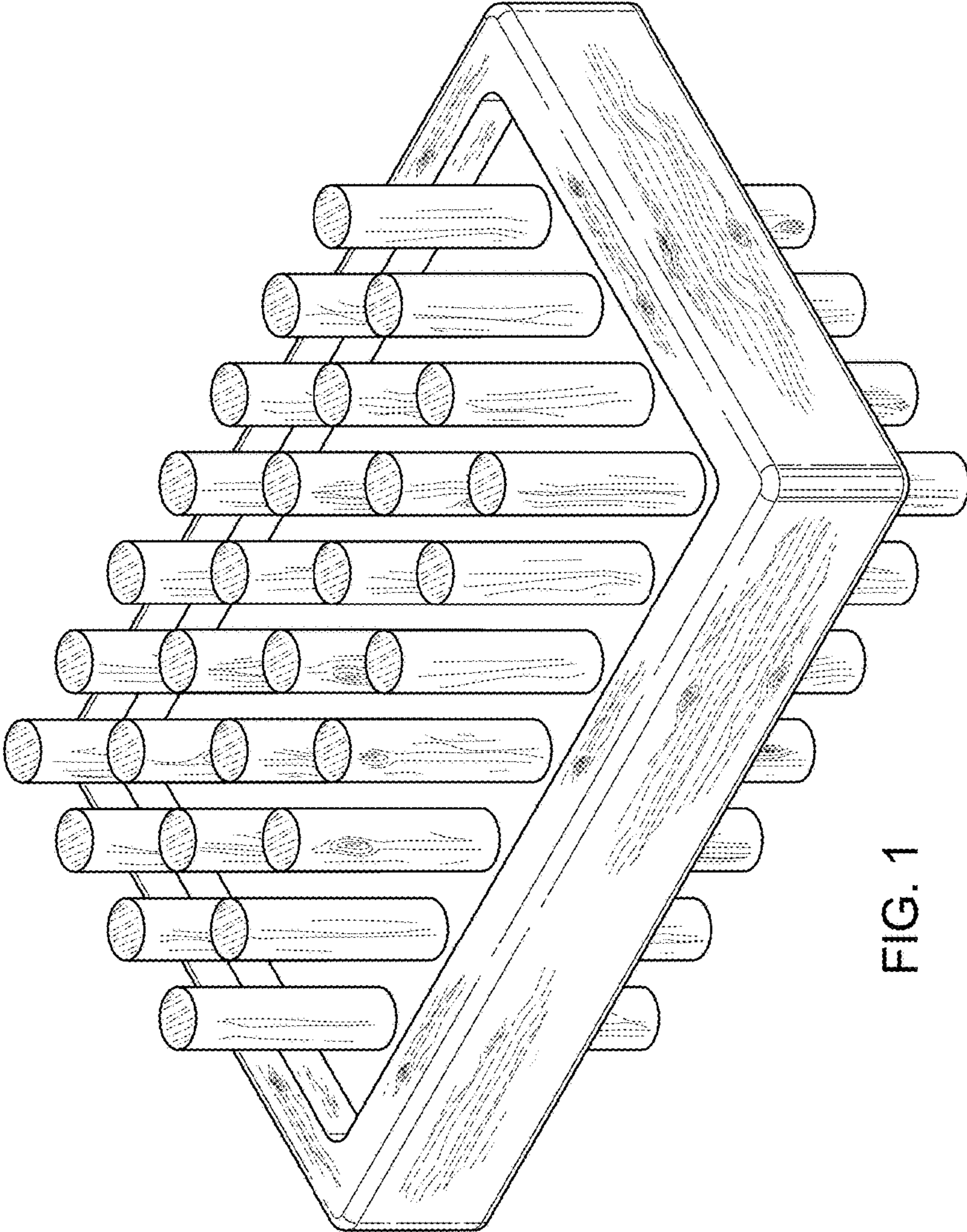


FIG. 1

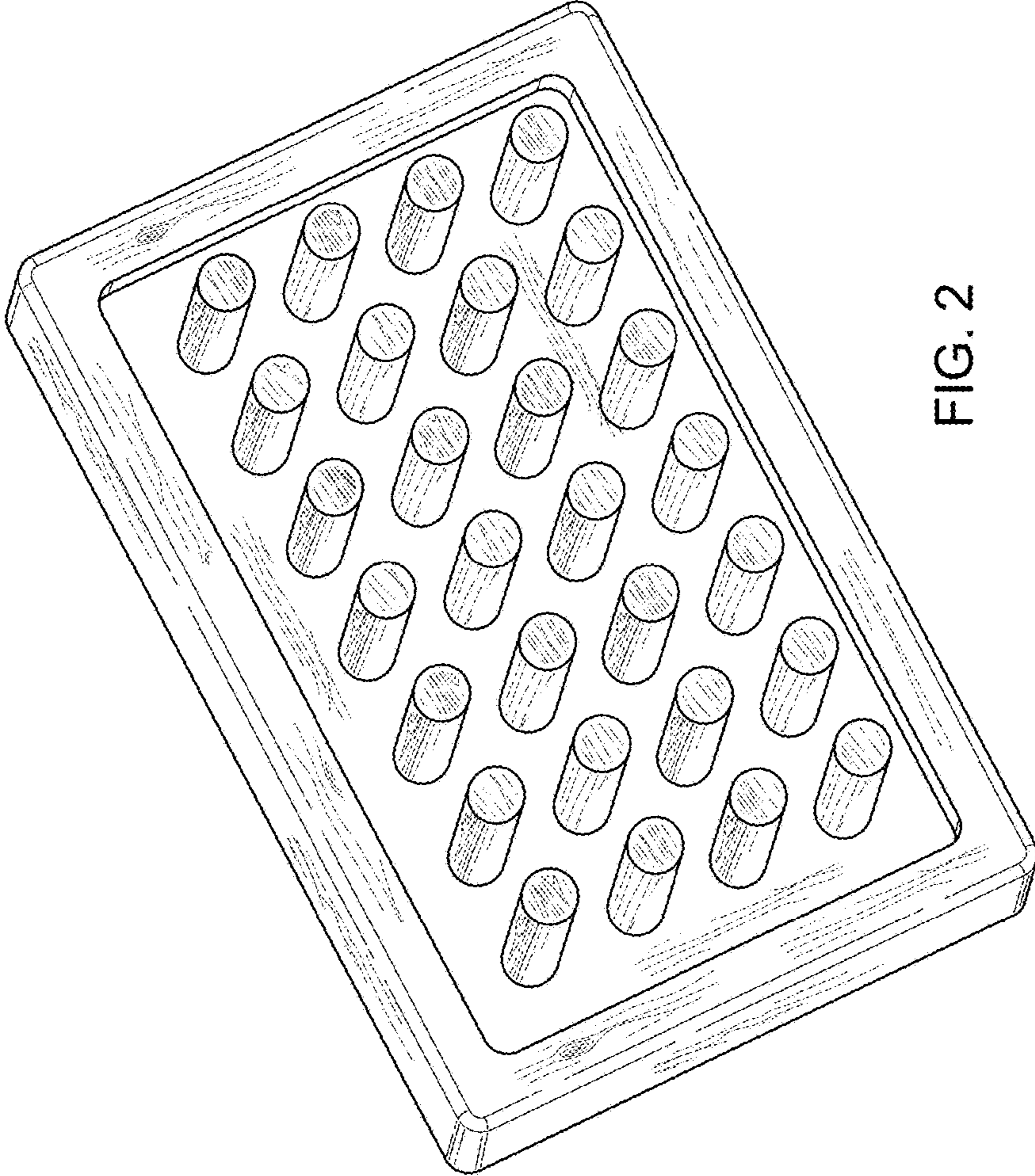


FIG. 2

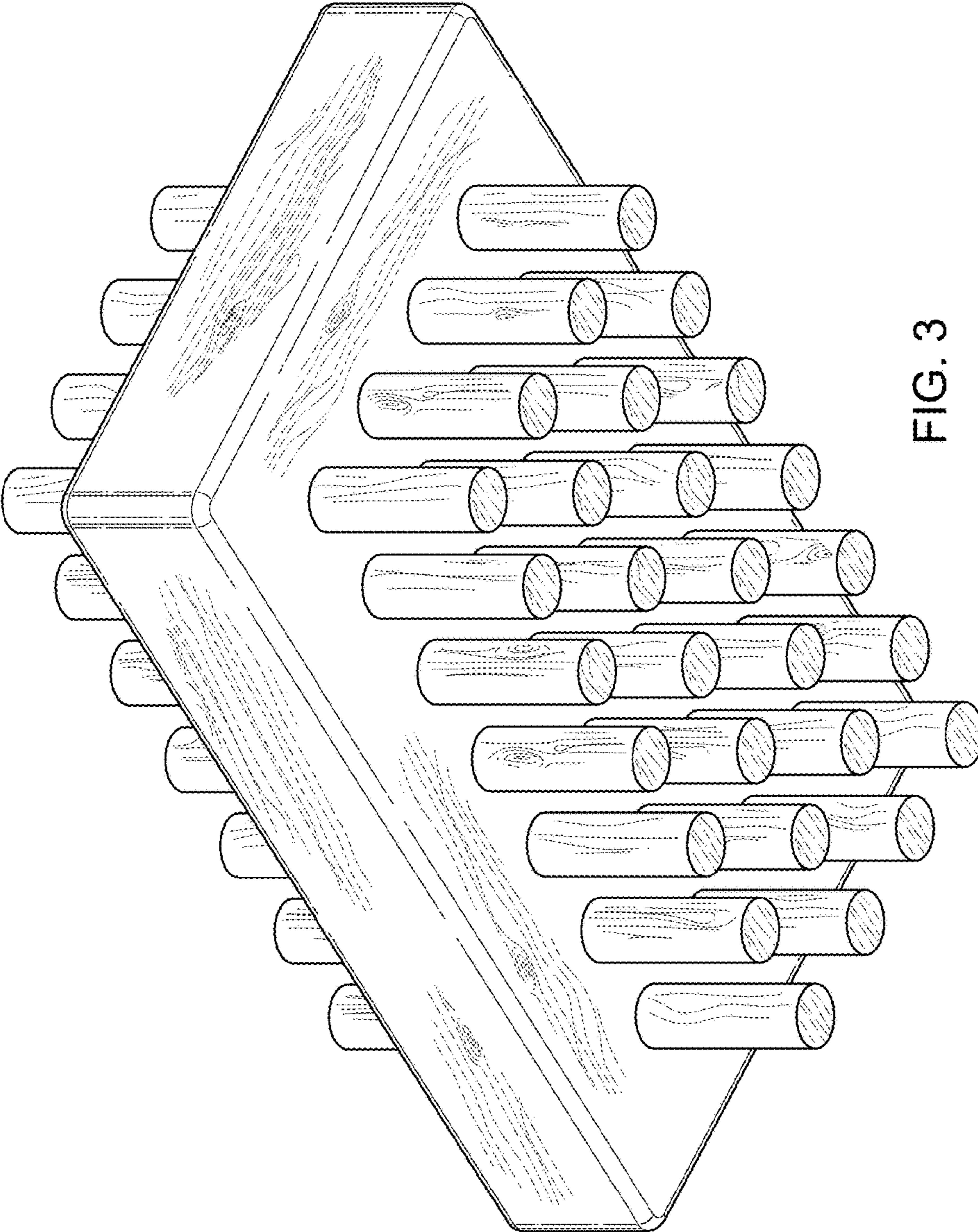


FIG. 3

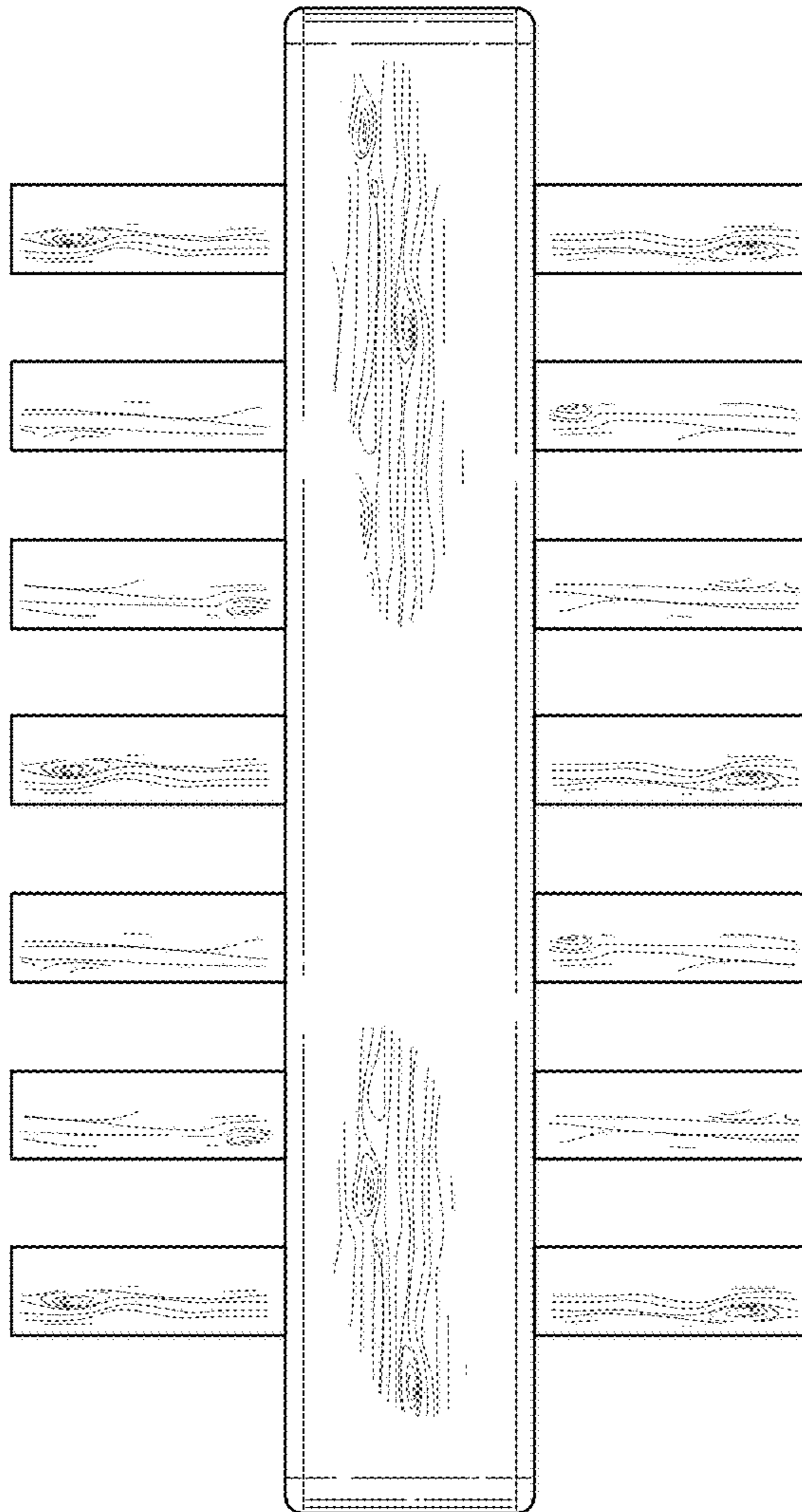


FIG. 4

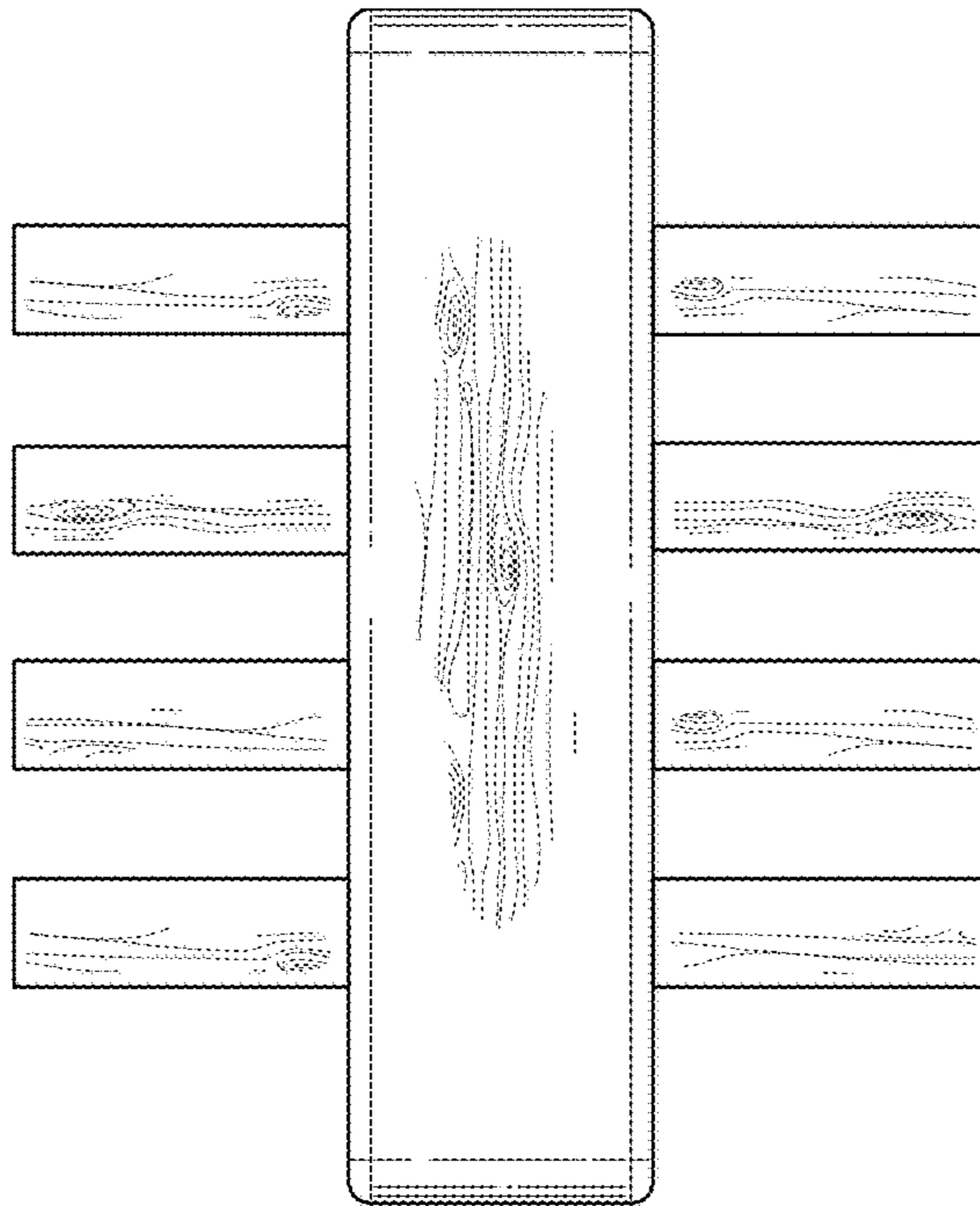


FIG. 5

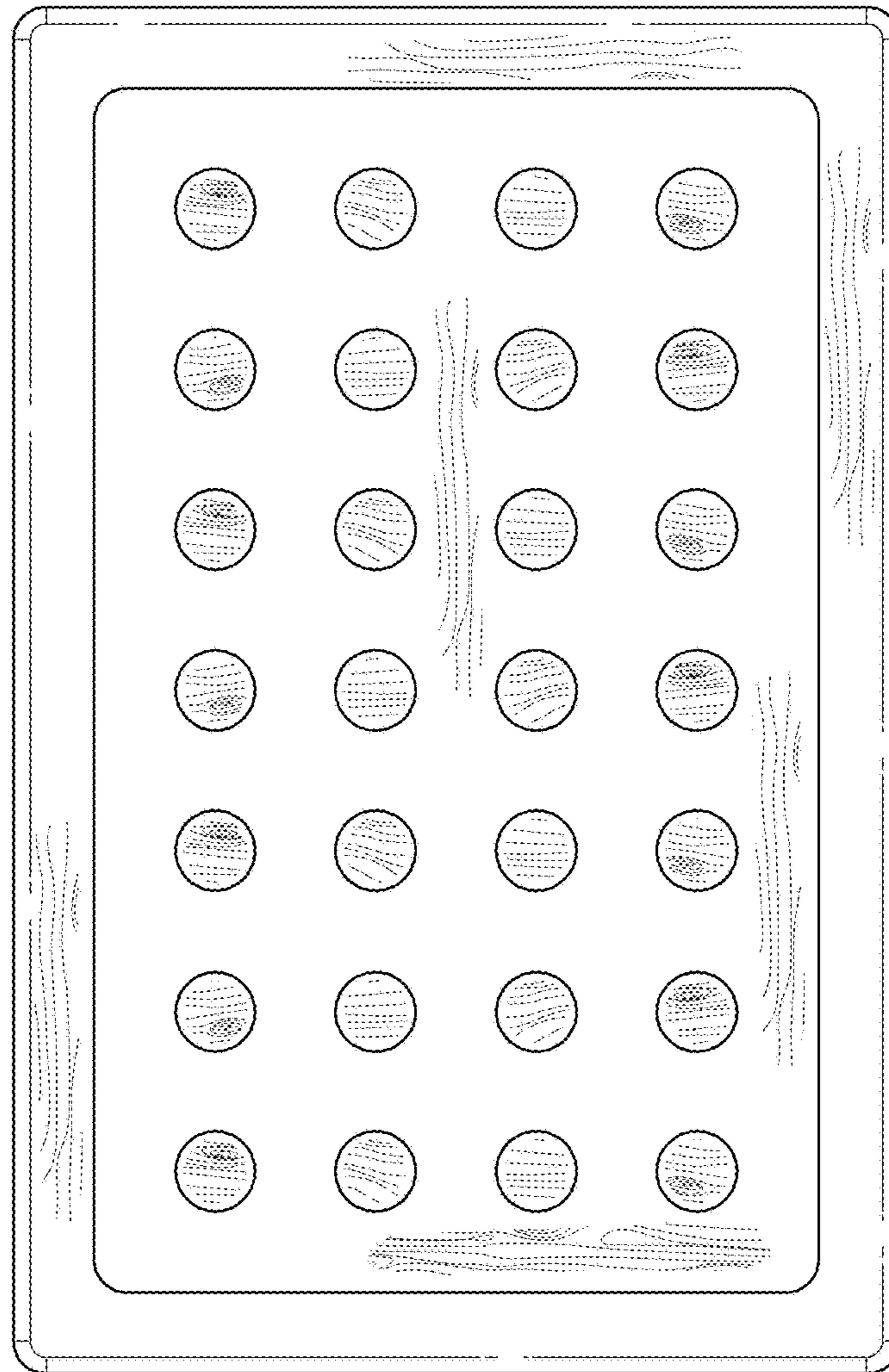


FIG. 6

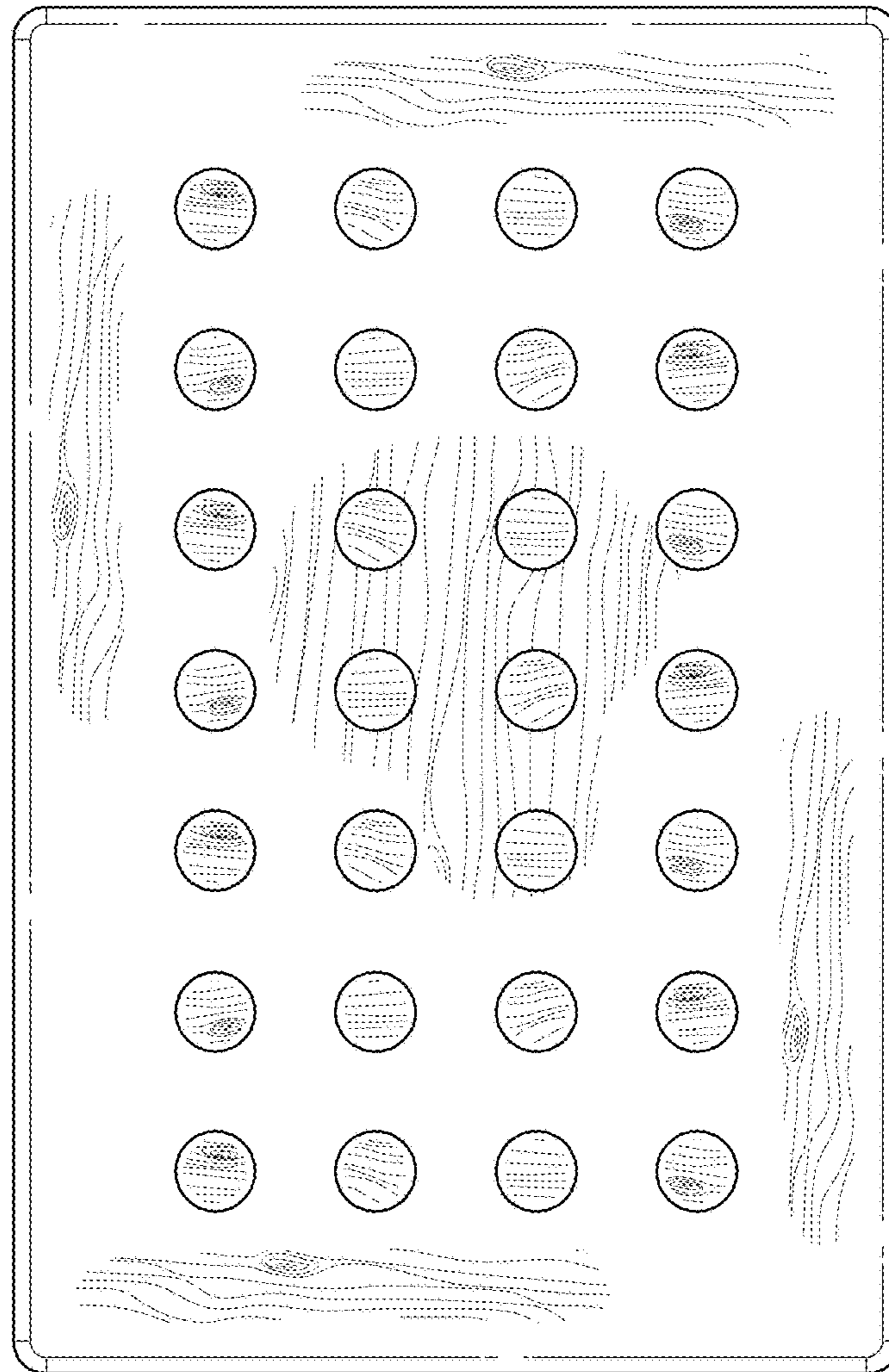


FIG. 7