



US00D851951S

(12) **United States Design Patent**
Wu

(10) **Patent No.:** **US D851,951 S**
(45) **Date of Patent:** **** Jun. 25, 2019**

(54) **OFFICE CHAIR**

(71) Applicant: **Chong Wu**, Guangdong (CN)

(72) Inventor: **Chong Wu**, Guangdong (CN)

(**) Term: **15 Years**

(21) Appl. No.: **29/591,784**

(22) Filed: **Jan. 24, 2017**

(51) **LOC (11) Cl.** **06-01**

(52) **U.S. Cl.**
USPC **D6/366**

(58) **Field of Classification Search**
USPC D6/334-336, 364, 365, 366, 374, 379,
D6/380, 716, 716.1, 716.2, 716.4, 708.23,
D6/708.24
CPC .. A47C 7/54; A47C 3/24; A47C 7/022; A47C
7/282; A47C 7/40; A47C 7/46; A47C
7/462; A47C 7/24; A47C 7/004
See application file for complete search history.

(56) **References Cited**

U.S. PATENT DOCUMENTS

- D390,712 S * 2/1998 Koepke D6/360
- D540,079 S * 4/2007 Bock D6/716.4
- 7,347,495 B2 * 3/2008 Beyer A47C 7/462
297/284.3
- D570,624 S * 6/2008 Kang D6/366
- D572,948 S * 7/2008 Wakasugi D6/366

- D646,915 S * 10/2011 Schweikarth D6/716.4
- D654,280 S * 2/2012 Fujita D6/366
- D679,107 S * 4/2013 Darrow D6/366
- D688,056 S * 8/2013 Phillips D6/366
- 9,648,957 B2 * 5/2017 Su A47C 7/46
- D801,068 S * 10/2017 Meda D6/366
- D801,719 S * 11/2017 Meda D6/366
- D802,315 S * 11/2017 Meda D6/366

* cited by examiner

Primary Examiner — Mimoso De

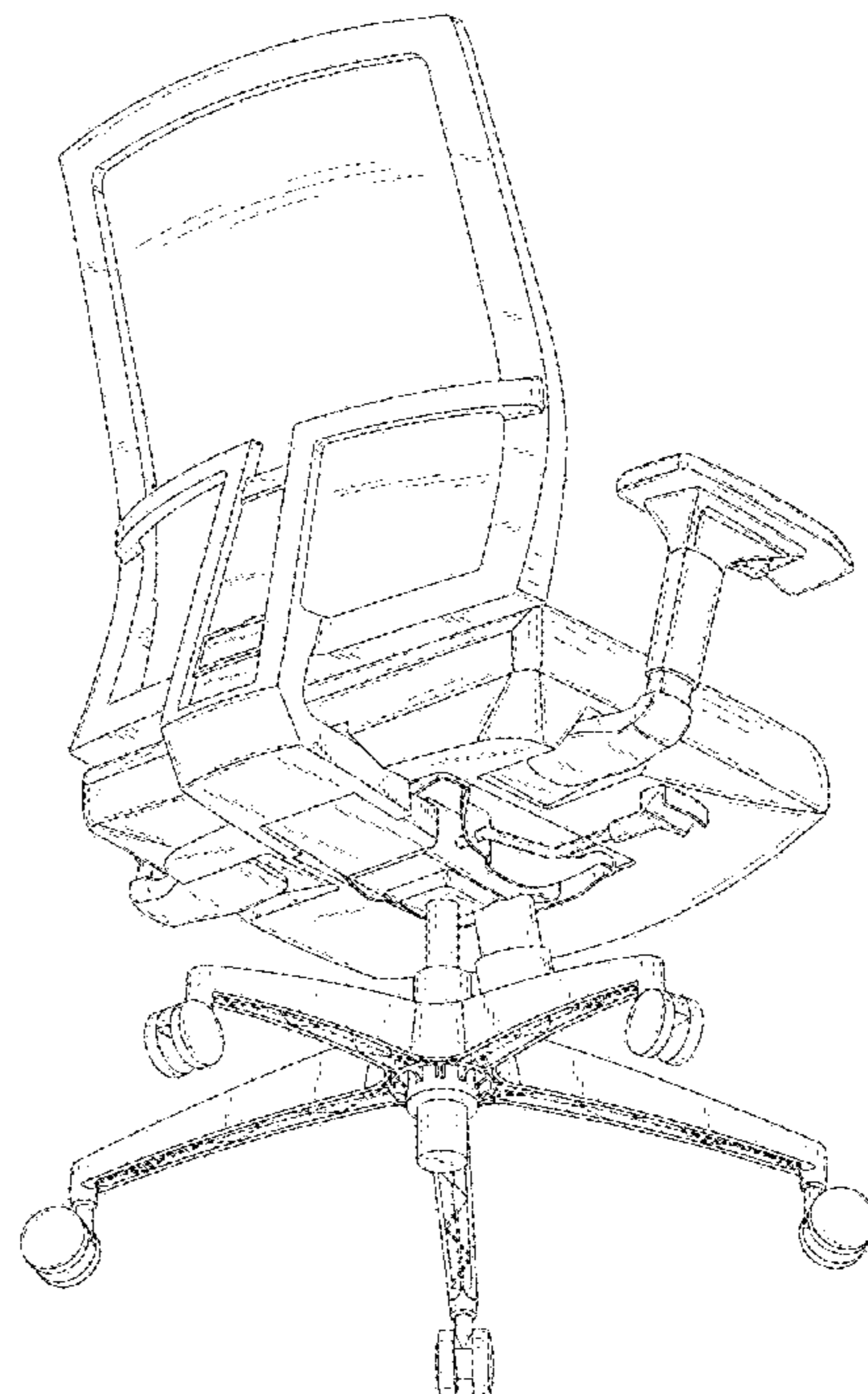
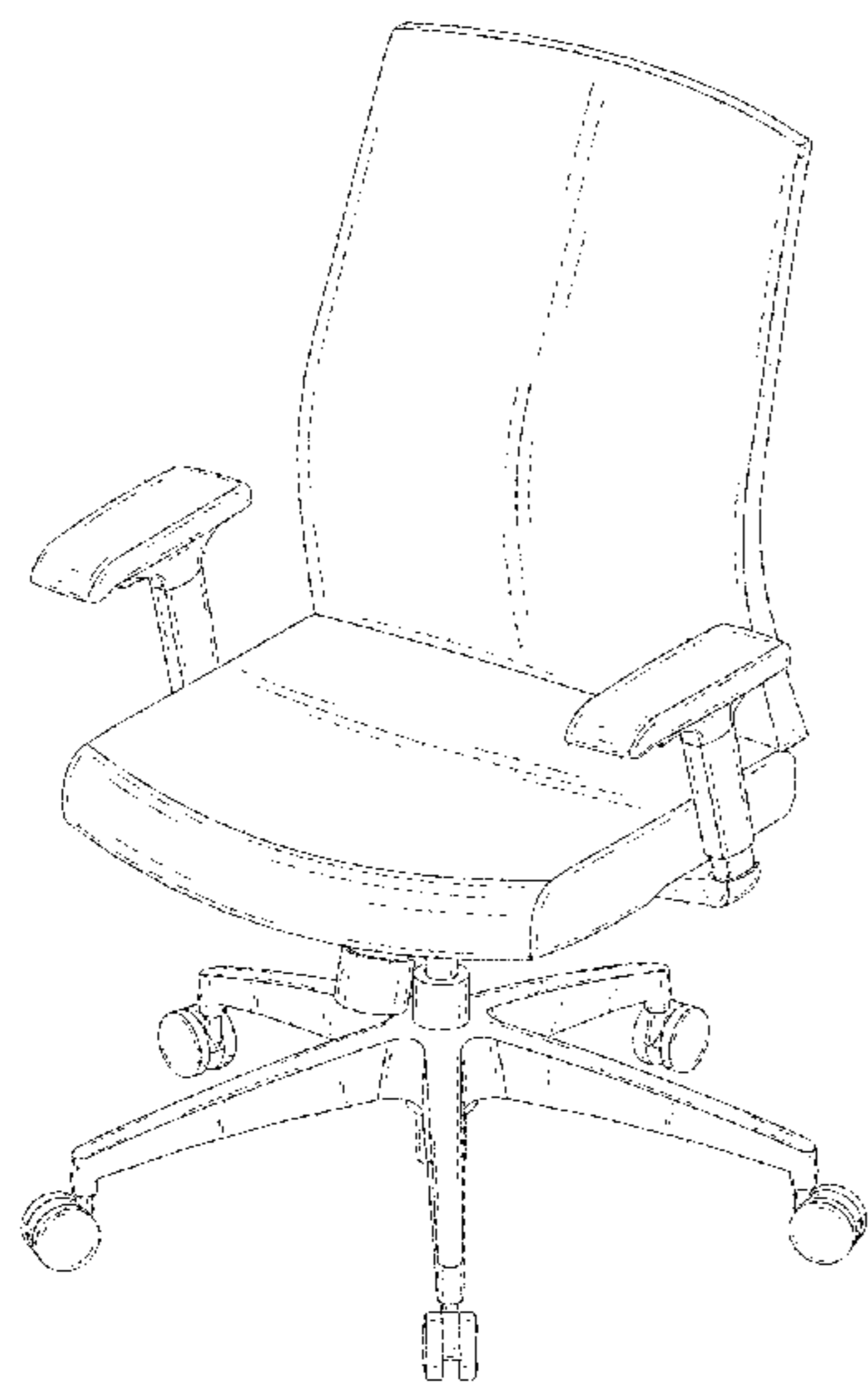
(57) **CLAIM**

The ornamental design for an office chair, as shown and described.

DESCRIPTION

FIG. 1 is a front view of the office chair showing our new design;
 FIG. 2 is a back view thereof;
 FIG. 3 is a left side view thereof;
 FIG. 4 is a right side view thereof;
 FIG. 5 is a top view thereof;
 FIG. 6 is a bottom view thereof;
 FIG. 7 is a top perspective view thereof; and,
 FIG. 8 is a bottom perspective view thereof.
 The broken lines show portions of the article not claimed and form no part of the claimed design.

1 Claim, 8 Drawing Sheets



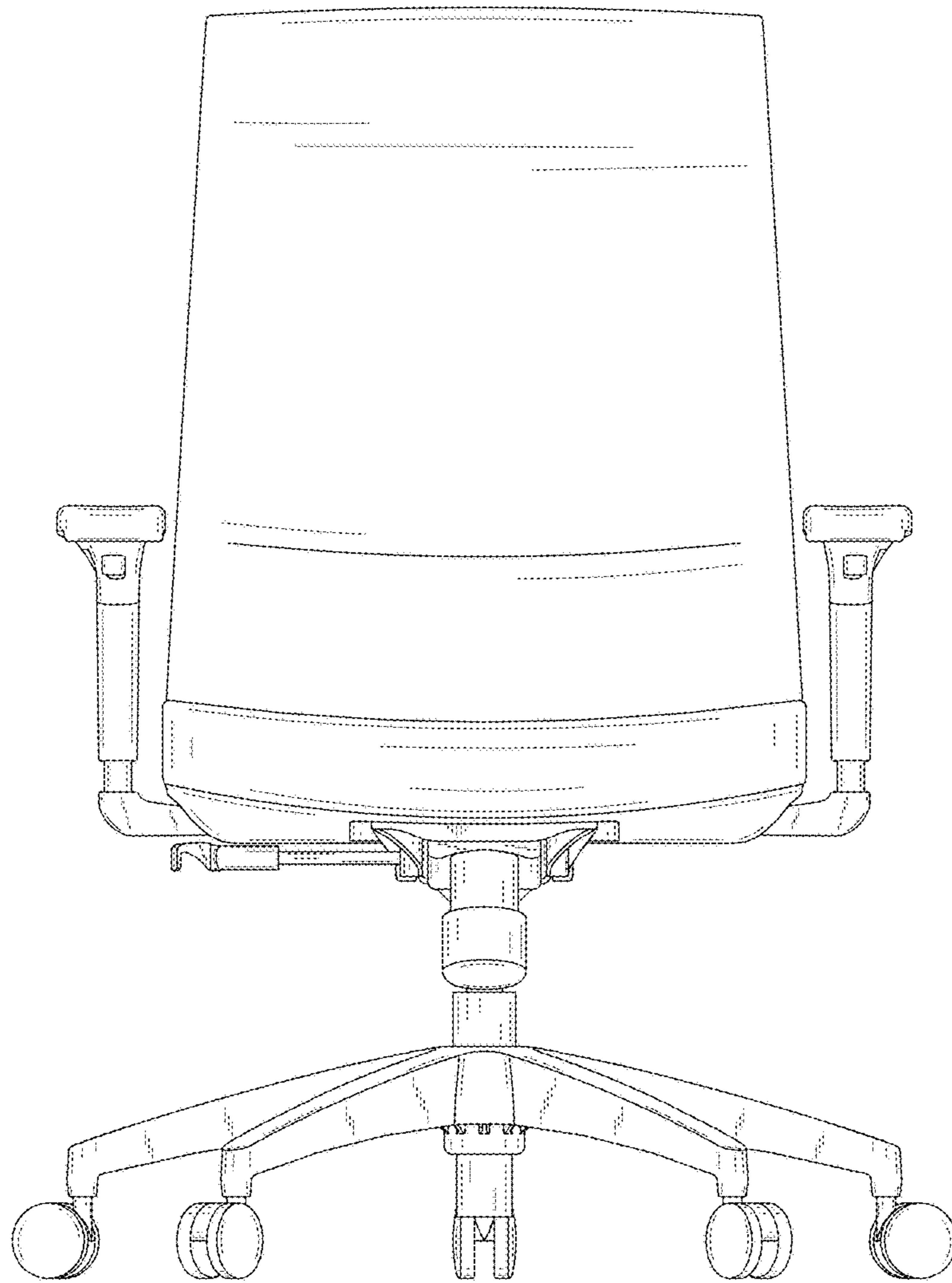


FIG. 1

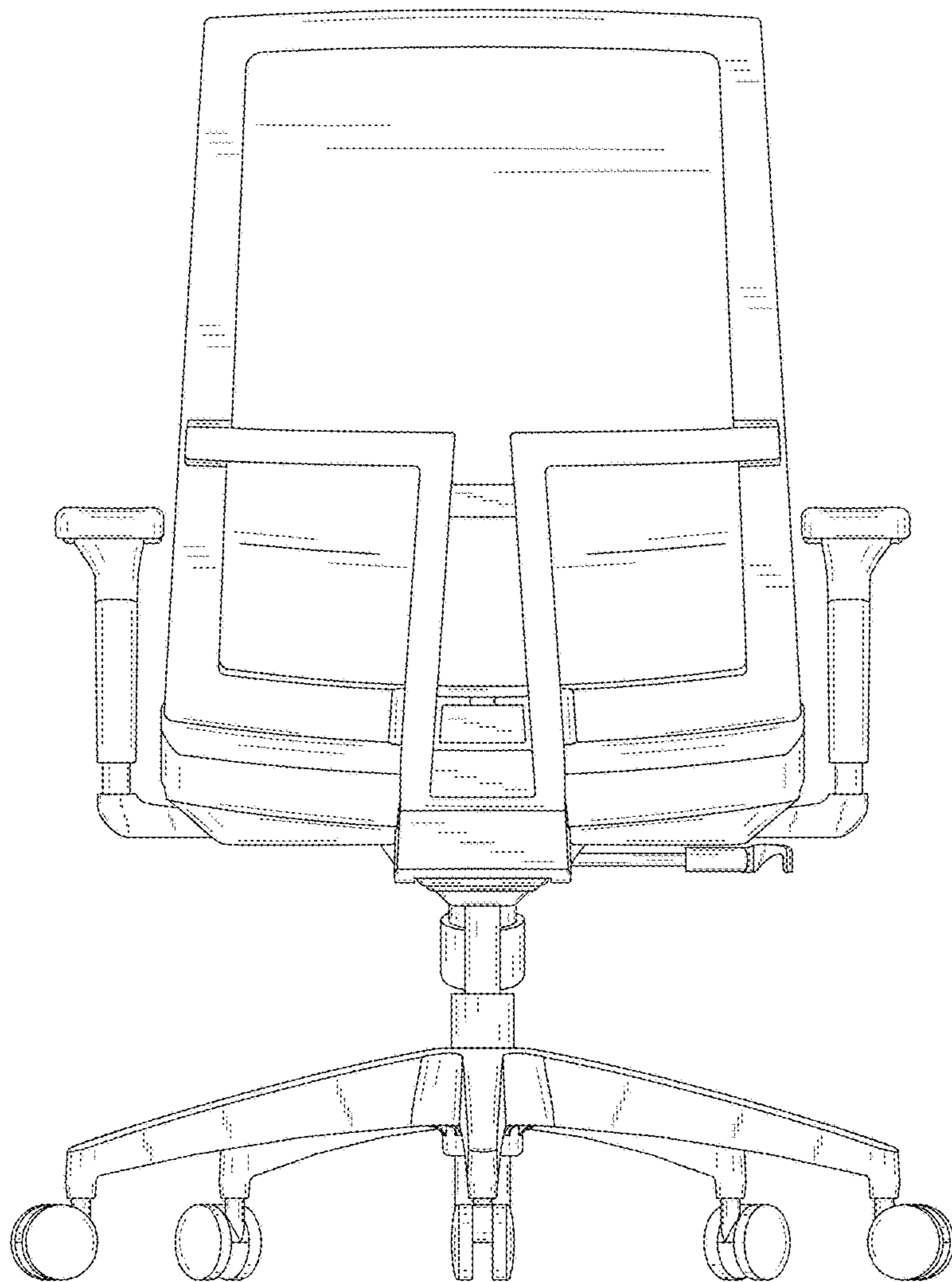


FIG.2

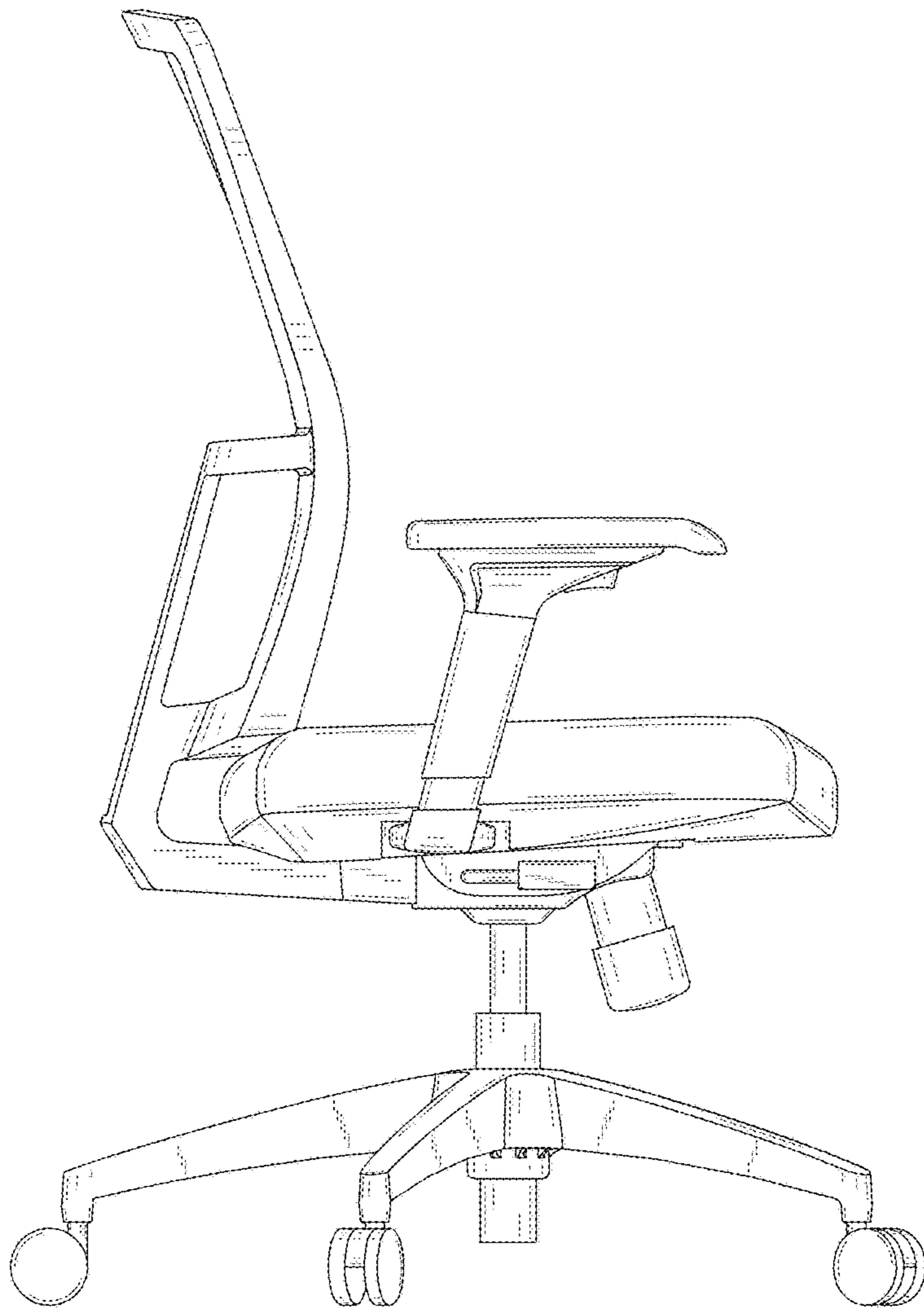


FIG.3

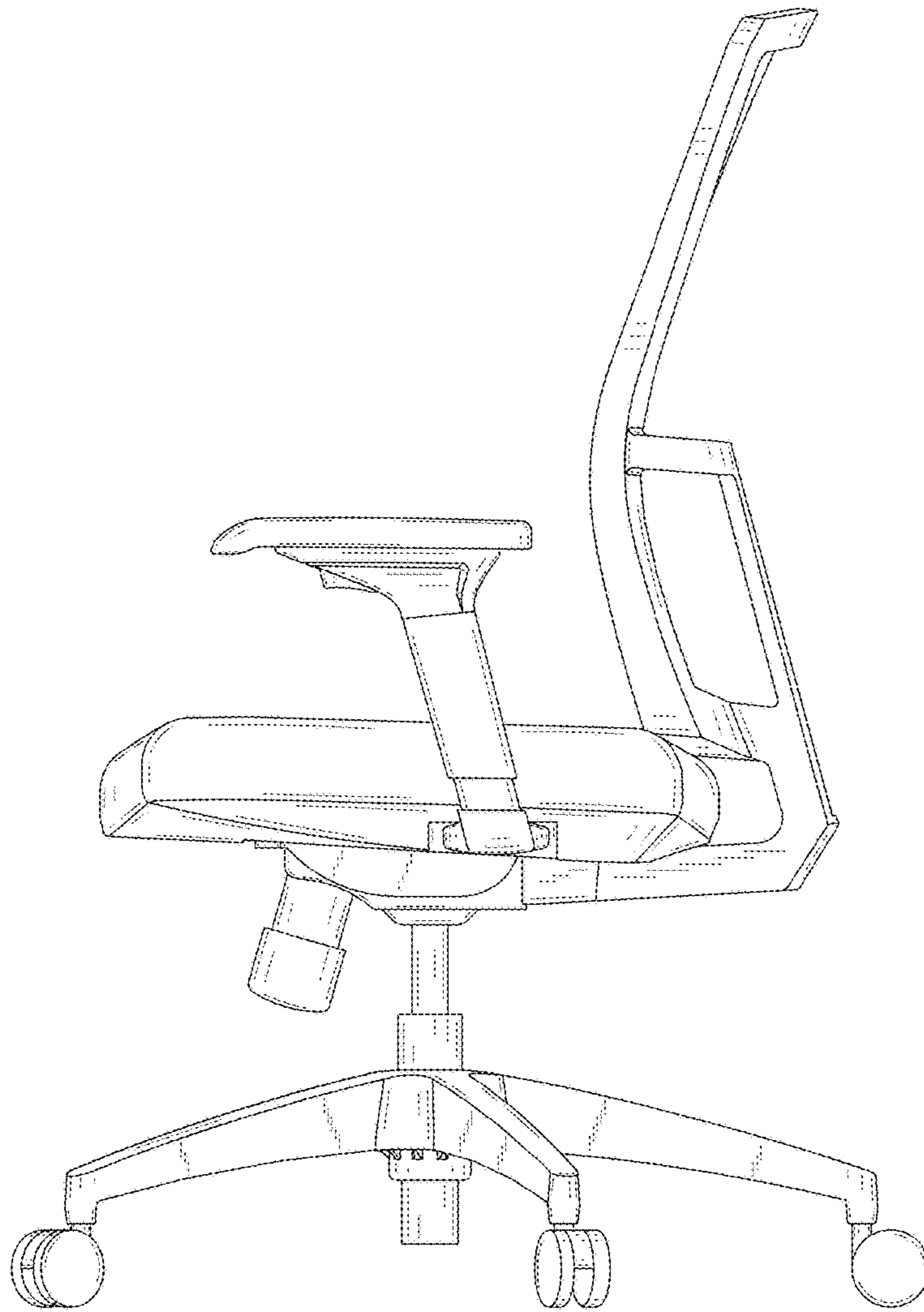


FIG.4

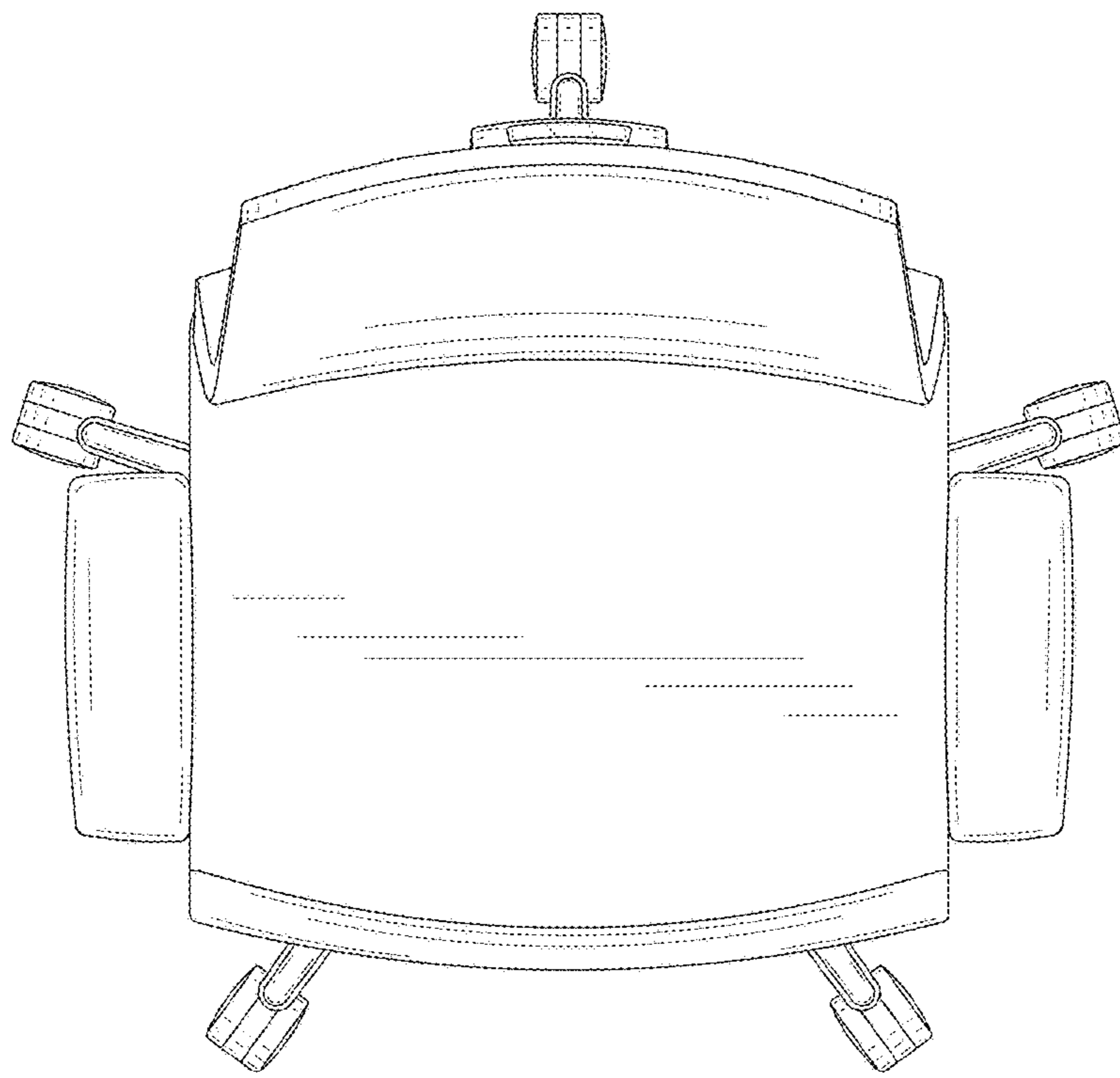


FIG.5

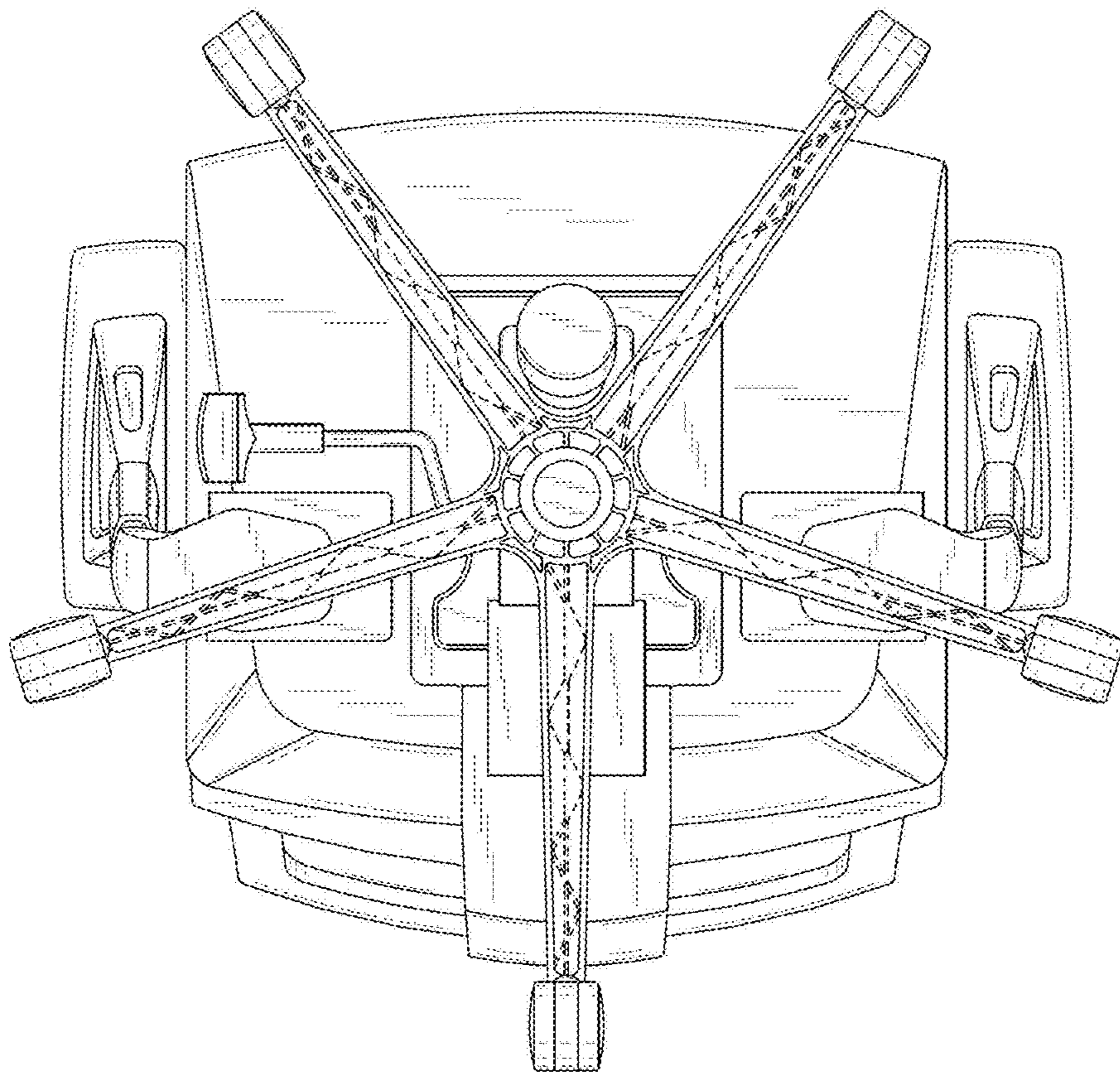


FIG.6

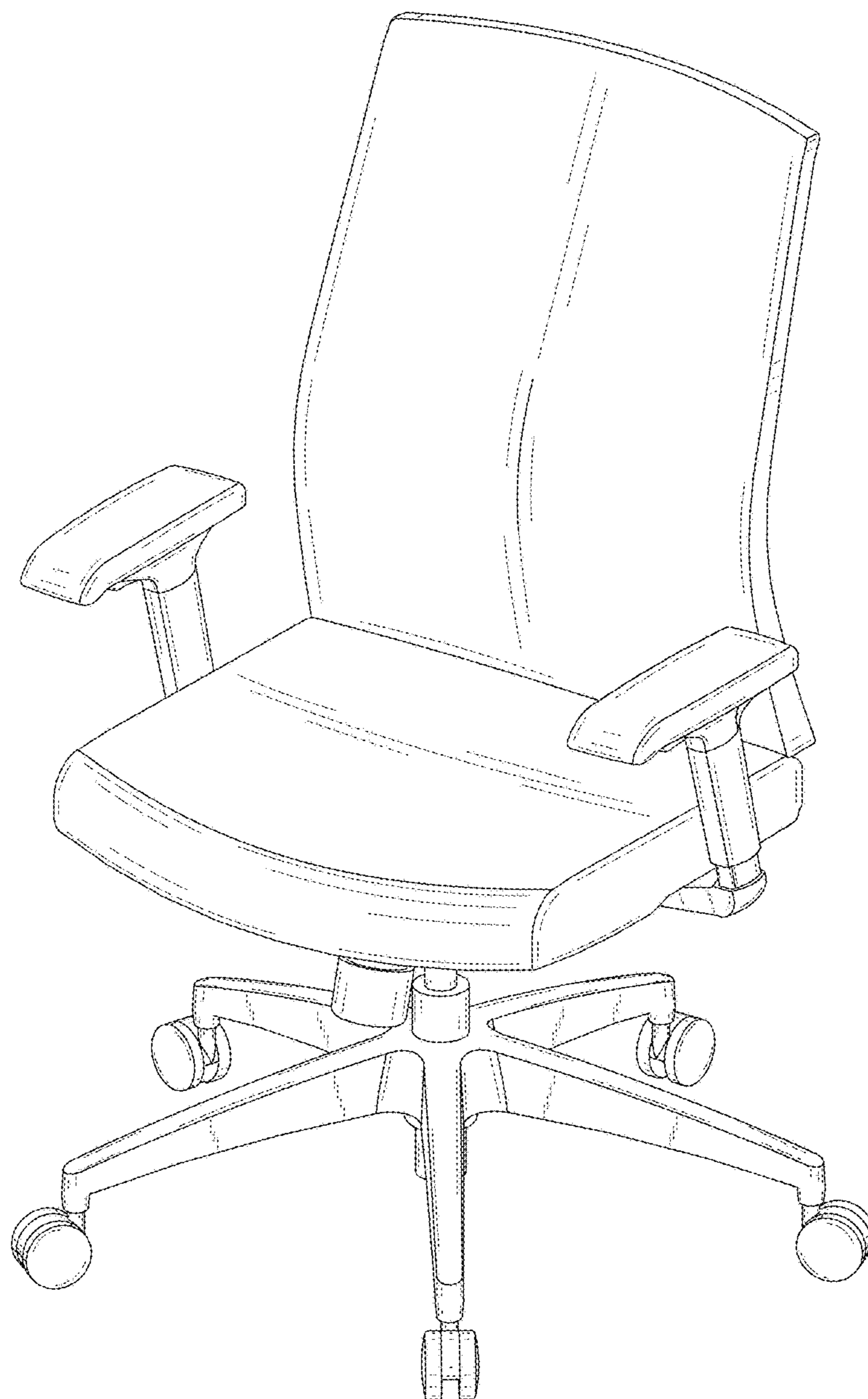


FIG.7

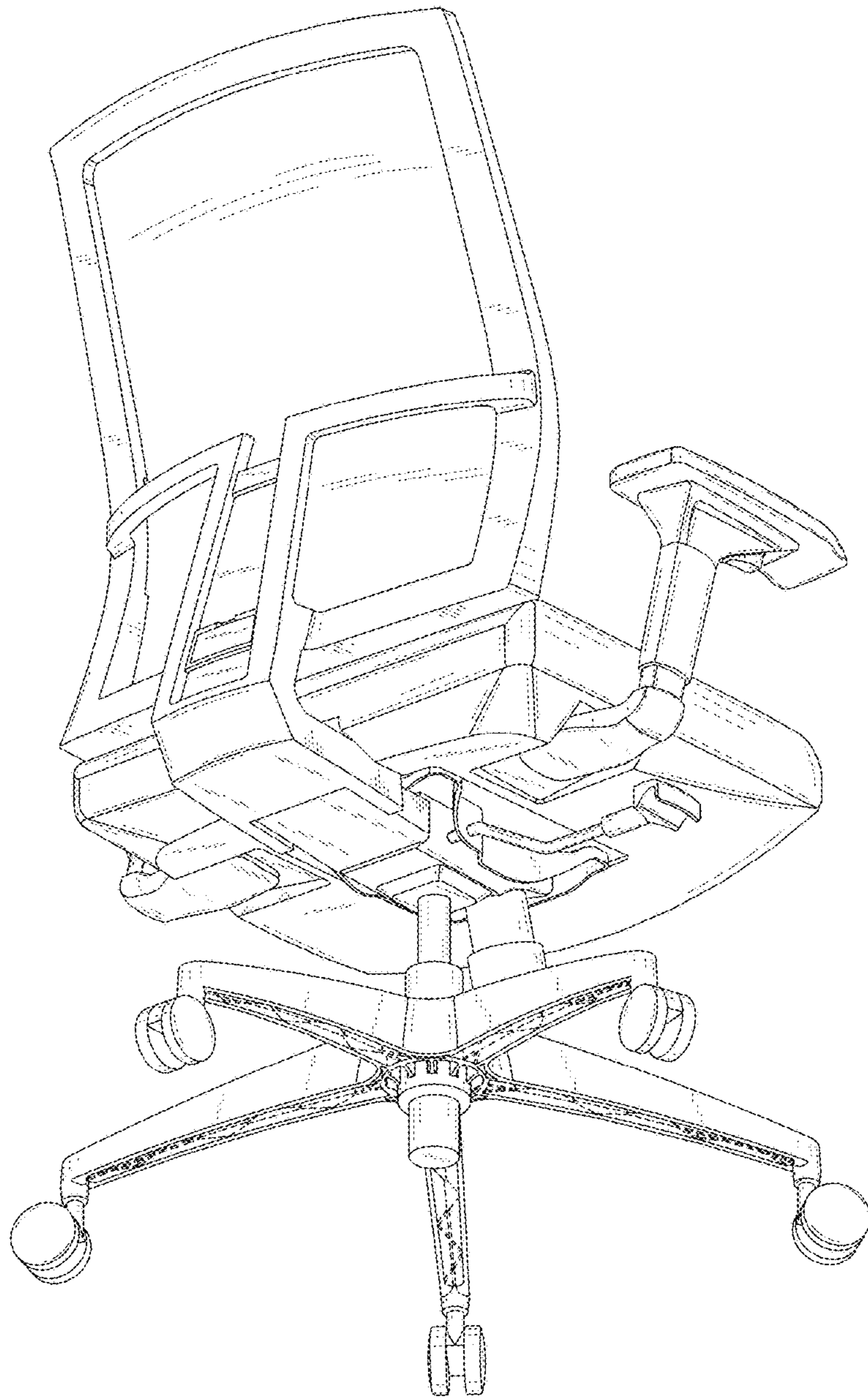


FIG. 8