



US00D851941S

(12) **United States Design Patent** (10) **Patent No.:** **US D851,941 S**  
**Lee** (45) **Date of Patent:** **\*\* Jun. 25, 2019**

(54) **BRUSH ATTACHABLE DUST REMOVER**  
(71) Applicant: **Pil Hee Lee**, Seoul (KR)  
(72) Inventor: **Pil Hee Lee**, Seoul (KR)  
(\*\*) Term: **15 Years**  
(21) Appl. No.: **29/656,092**  
(22) Filed: **Jul. 10, 2018**  
(51) **LOC (11) Cl.** ..... **04-01**  
(52) **U.S. Cl.**  
USPC ..... **D4/138; D32/40**  
(58) **Field of Classification Search**  
USPC ..... D4/116, 117, 118, 119, 120, 132, 134,  
D4/138; D8/107; D32/40, 51;  
16/DIG. 18  
CPC ..... A46B 5/02; A46B 7/04; A46B 2200/3026;  
A46B 2200/3046; A47L 13/20; A47L  
13/24; A47L 13/38  
See application file for complete search history.

6,213,055 B1 \* 4/2001 Willinger ..... A01K 13/002  
119/633  
D468,110 S 1/2003 Libman et al.  
6,745,428 B2 \* 6/2004 MacLean ..... A46B 7/04  
15/111  
D535,542 S \* 1/2007 Engvall ..... D8/107  
D553,317 S \* 10/2007 Dotterman ..... D32/40  
D609,918 S 2/2010 Lee  
D609,919 S \* 2/2010 Lee ..... D32/51  
D629,985 S \* 12/2010 Lee ..... D32/51  
D634,601 S \* 3/2011 Good ..... D8/107  
D678,031 S \* 3/2013 Wang ..... D8/107  
9,402,515 B2 \* 8/2016 Post ..... A47L 1/15  
9,560,943 B2 \* 2/2017 Post ..... A47L 1/15  
D787,836 S 5/2017 Lee  
2003/0000037 A1 \* 1/2003 Carr ..... A46B 5/00  
15/159.1  
2006/0168748 A1 \* 8/2006 Dotterman ..... A47L 13/12  
15/115

**FOREIGN PATENT DOCUMENTS**

KR 300332354.0001 \* 6/2010

\* cited by examiner

*Primary Examiner* — Karen E Eldridge Powers  
(74) *Attorney, Agent, or Firm* — IPLA P.A.; James E. Bame

(56) **References Cited**

**U.S. PATENT DOCUMENTS**

D37,224 S \* 11/1904 Rohn ..... D4/138  
1,998,278 A \* 4/1935 Halsey ..... A47L 13/252  
15/149  
2,240,155 A \* 4/1941 Closson ..... A47L 13/24  
15/145  
2,259,725 A \* 10/1941 Bohnenblust ..... A47L 13/24  
15/144.1  
2,559,722 A \* 7/1951 Lindstrom ..... A47L 13/24  
15/143.1  
3,395,416 A \* 8/1968 Hughes ..... A47L 13/29  
15/144.1  
3,820,187 A \* 6/1974 Numbers et al. .... A47K 11/10  
15/144.2  
D388,307 S \* 12/1997 Gringer ..... D24/119  
D412,064 S \* 7/1999 Achepohl ..... D4/104

(57) **CLAIM**

The ornamental design for a brush attachable dust remover, as shown and described.

**DESCRIPTION**

FIG. 1 is a perspective view of my new design;  
FIG. 2 is a side elevational view thereof, the opposite side being a mirror image;  
FIG. 3 is a front elevational view thereof;  
FIG. 4 is a rear elevational view thereof; and,  
FIG. 5 is a top plan view thereof.

**1 Claim, 3 Drawing Sheets**

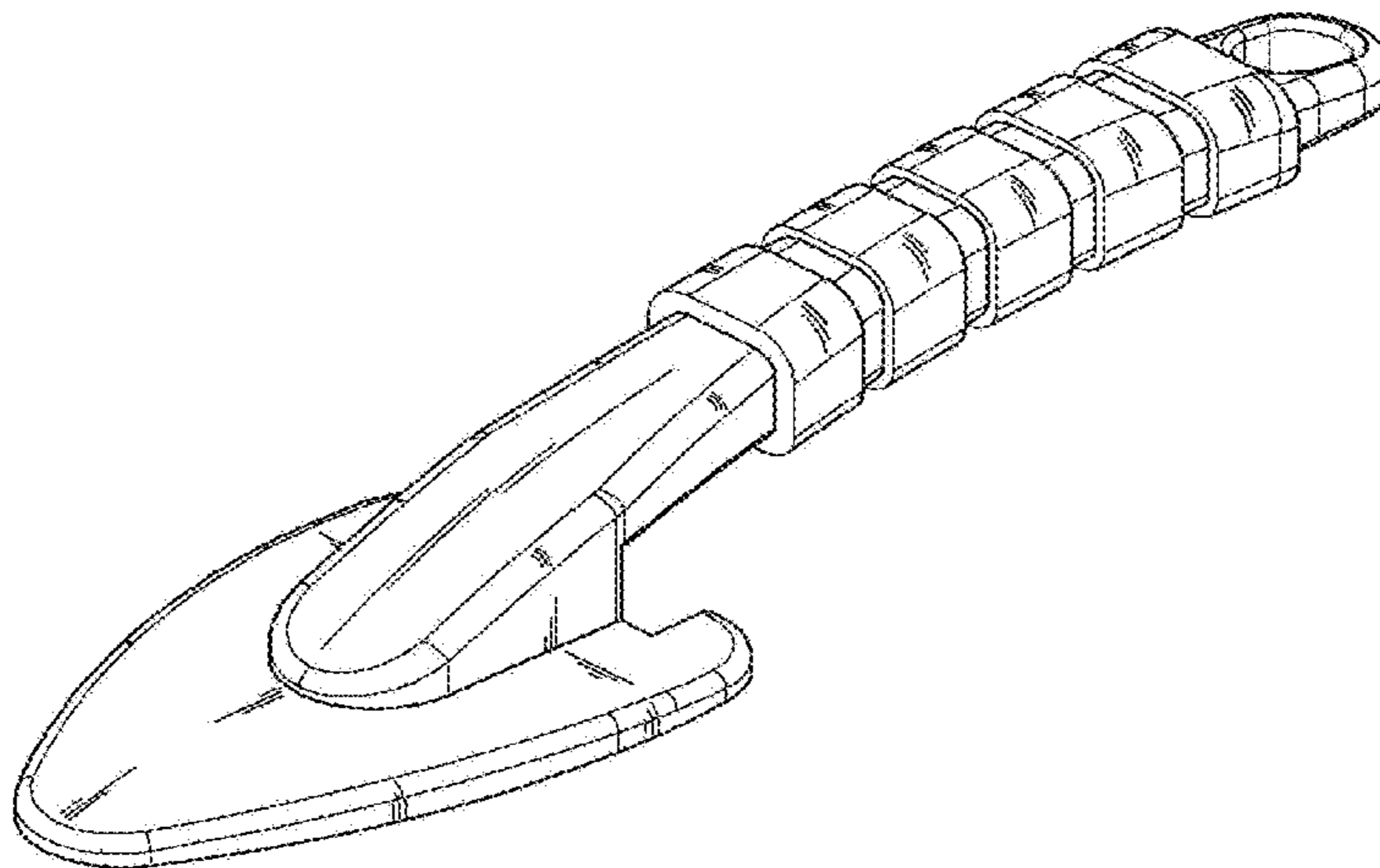


FIG. 1

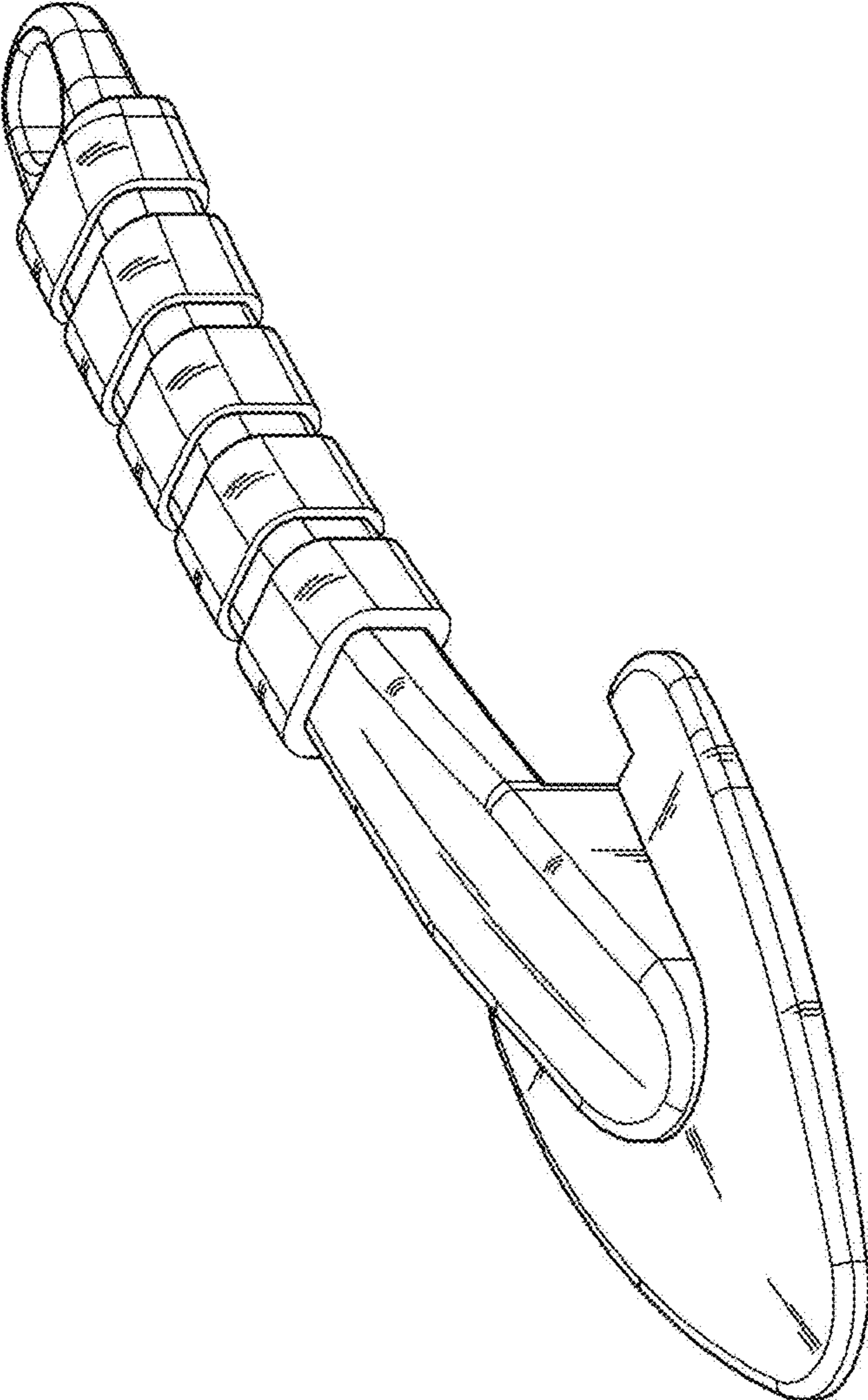


FIG. 2

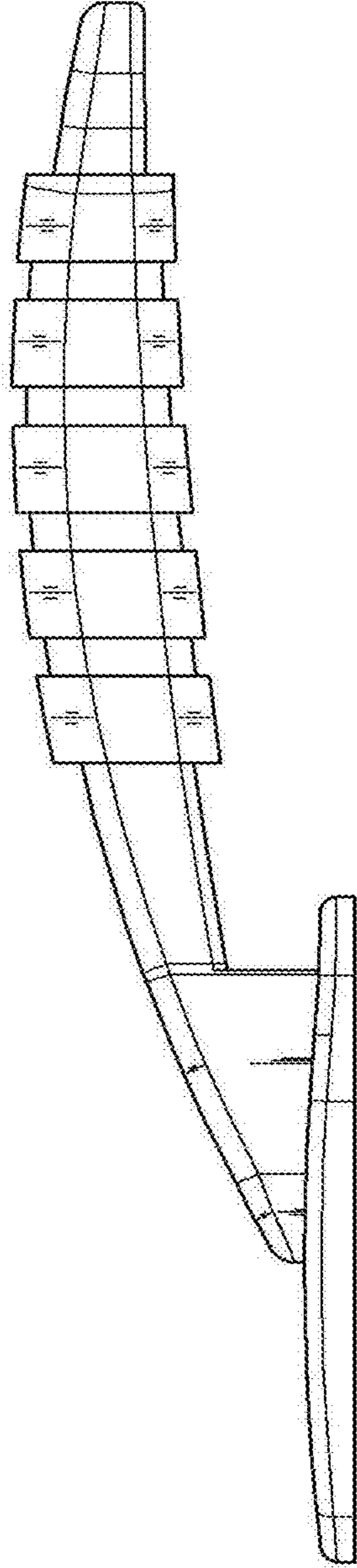


FIG. 3

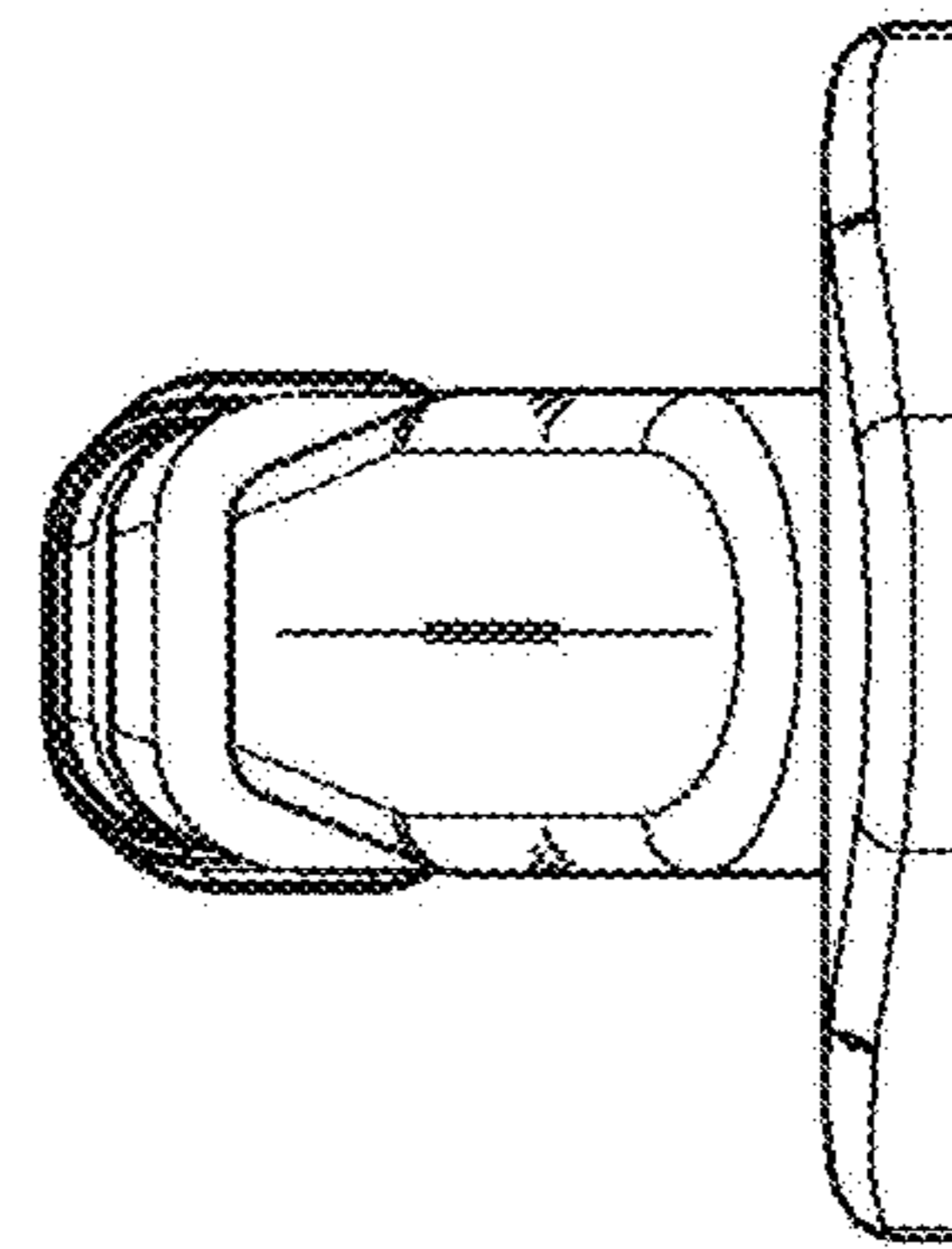


FIG. 4

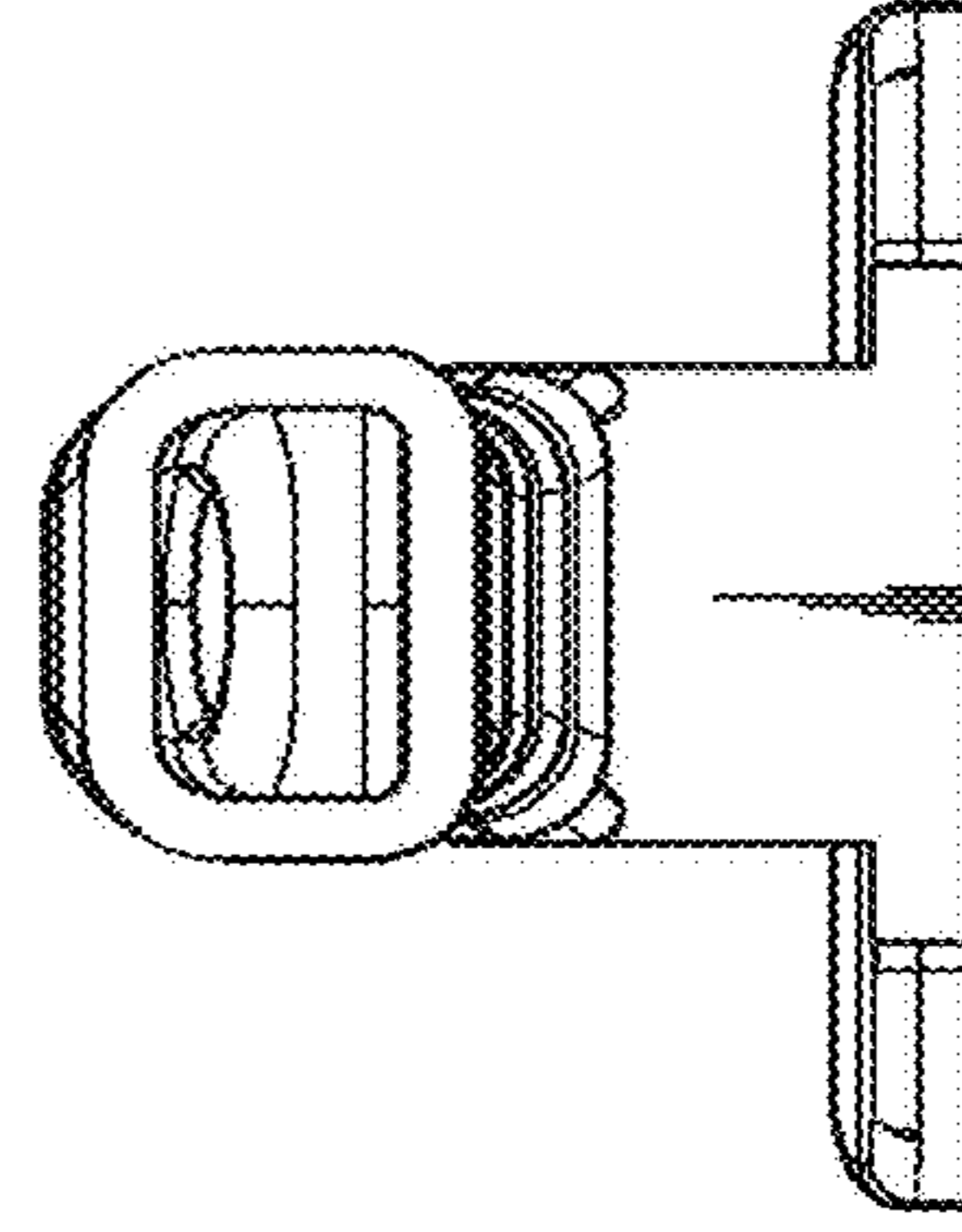


FIG. 5

