



US00D851939S

(12) **United States Design Patent**
Tschopp

(10) **Patent No.:** **US D851,939 S**

(45) **Date of Patent:** **** Jun. 25, 2019**

(54) **BRUSH**

(71) Applicant: **Black & Decker Inc.**, New Britain, CT (US)

(72) Inventor: **Tylan A. Tschopp**, Baltimore, MD (US)

(73) Assignee: **BLACK & DECKER INC.**, New Britain, CT (US)

(**) Term: **15 Years**

(21) Appl. No.: **29/625,911**

(22) Filed: **Nov. 14, 2017**

(51) **LOC (11) Cl.** **04-01**

(52) **U.S. Cl.**
USPC **D4/120**

(58) **Field of Classification Search**
USPC D4/110, 116, 119, 120, 129, 130, 132, D4/135, 137, 138; D7/393, 395; D8/107; D32/40, 51; 15/105, 107, 111, 15/114, 143.2, 159.2, 160, 200, 244.1; 16/430

CPC A46B 2200/40; A46B 2200/304; A46B 2200/3033; A46B 2200/3073; A46B 2200/3093; A46B 5/00; A46B 5/02; A46B 5/021; A46B 5/026; A46B 5/0012; A46B 5/0008; A46B 5/0016

See application file for complete search history.

(56) **References Cited**

U.S. PATENT DOCUMENTS

D272,301 S * 1/1984 Itoh D4/105
D377,867 S * 2/1997 Berghash D4/105

D445,257 S * 7/2001 Hay D4/120
D575,523 S * 8/2008 Libman D4/132
D575,524 S * 8/2008 Libman D4/119
D577,201 S * 9/2008 Meyer D4/119
D598,202 S * 8/2009 McNeil D4/132
D685,549 S * 7/2013 Wong D32/40
D720,933 S * 1/2015 Albers D4/120
D791,491 S * 7/2017 Hill D4/119
2005/0028308 A1 * 2/2005 Spooner A46B 9/02
15/106

* cited by examiner

Primary Examiner — Wan Laymon

Assistant Examiner — Clint A Samuel

(74) *Attorney, Agent, or Firm* — Adan Ayala

(57) **CLAIM**

The ornamental design for a brush, as shown and described.

DESCRIPTION

FIG. 1 is a front perspective view of a brush according to the invention.

FIG. 2 is a front view of the brush of FIG. 1.

FIG. 3 is a rear view of the brush of FIG. 1.

FIG. 4 is a left side view of the brush of FIG. 1.

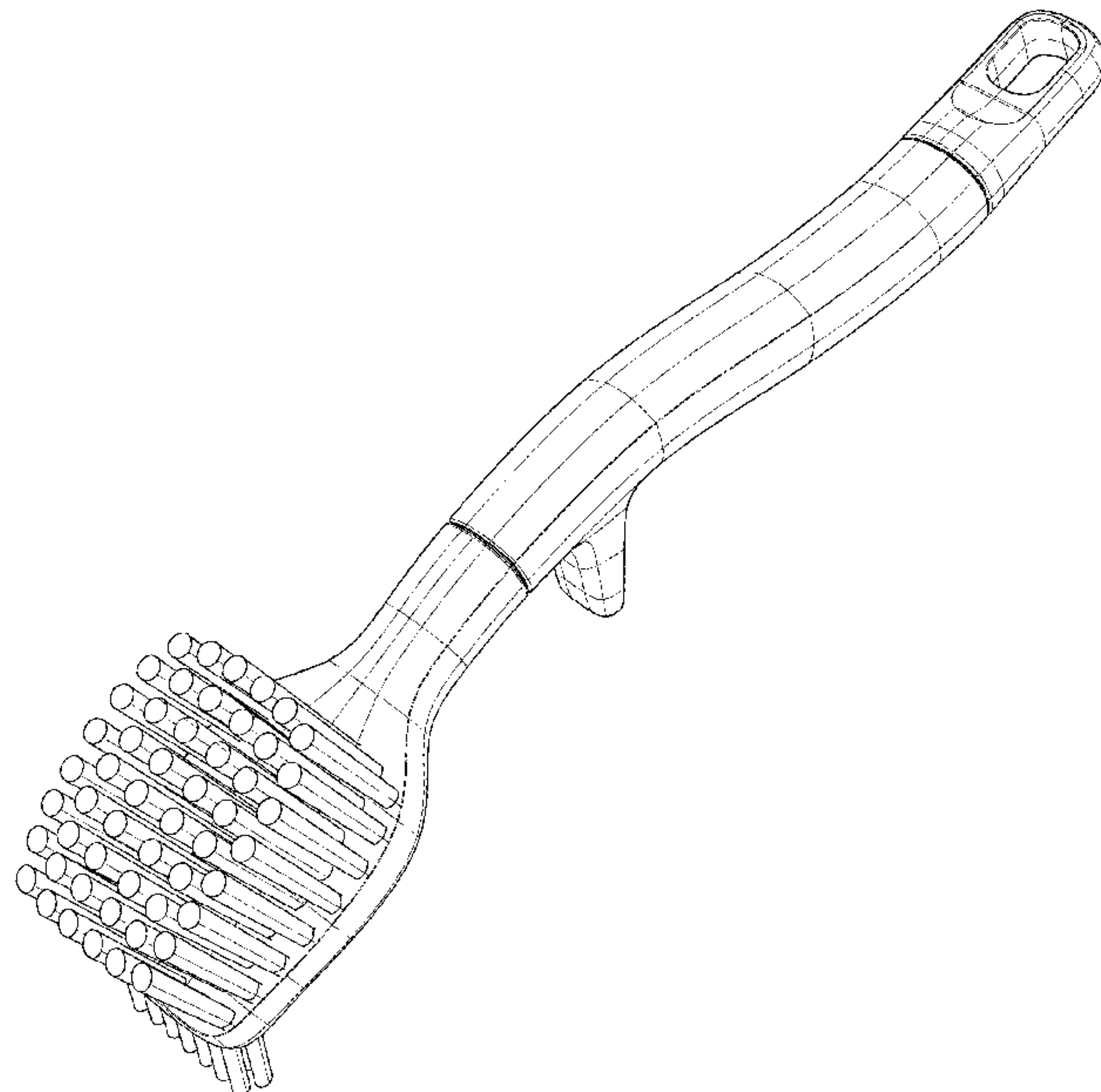
FIG. 5 is a right side view of the brush of FIG. 1.

FIG. 6 is a top plan view of the brush of FIG. 1.

FIG. 7 is a bottom plan view of the brush of FIG. 1; and,

FIG. 8 is a rear perspective view of the brush of FIG. 1.

1 Claim, 8 Drawing Sheets



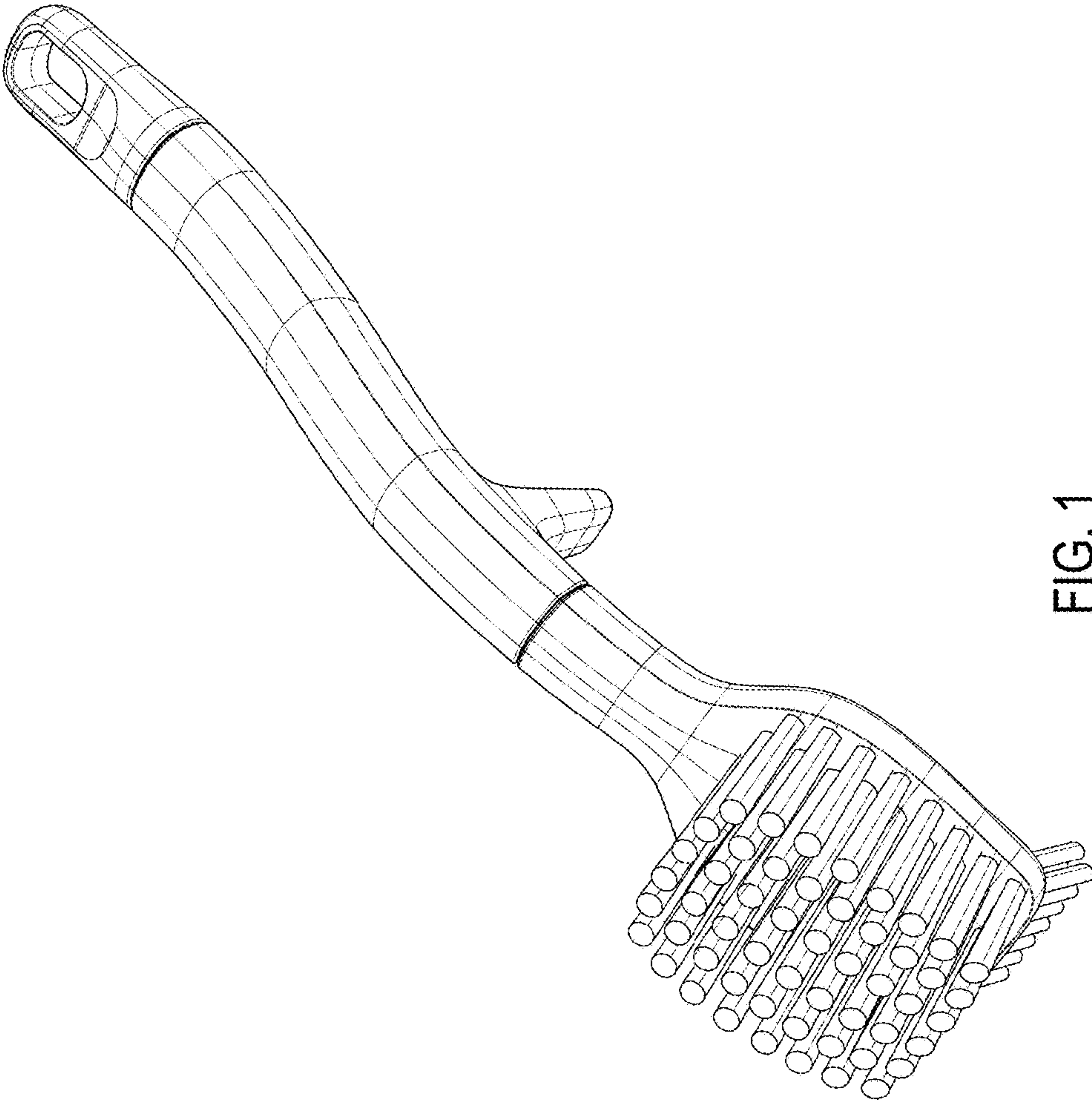


FIG. 1

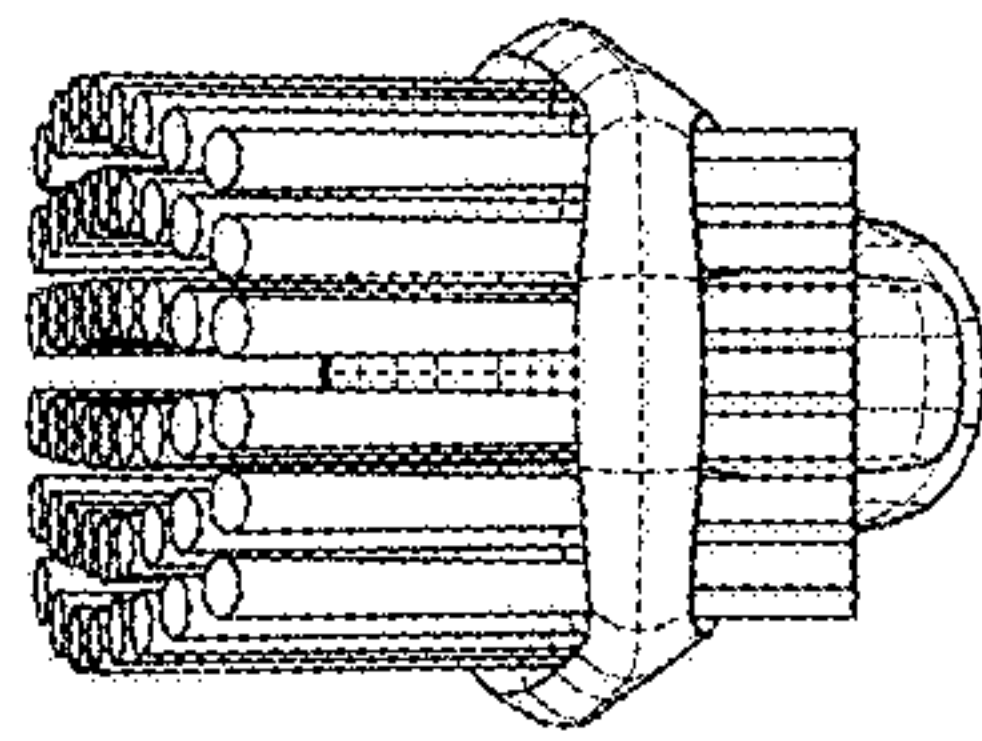


FIG. 2

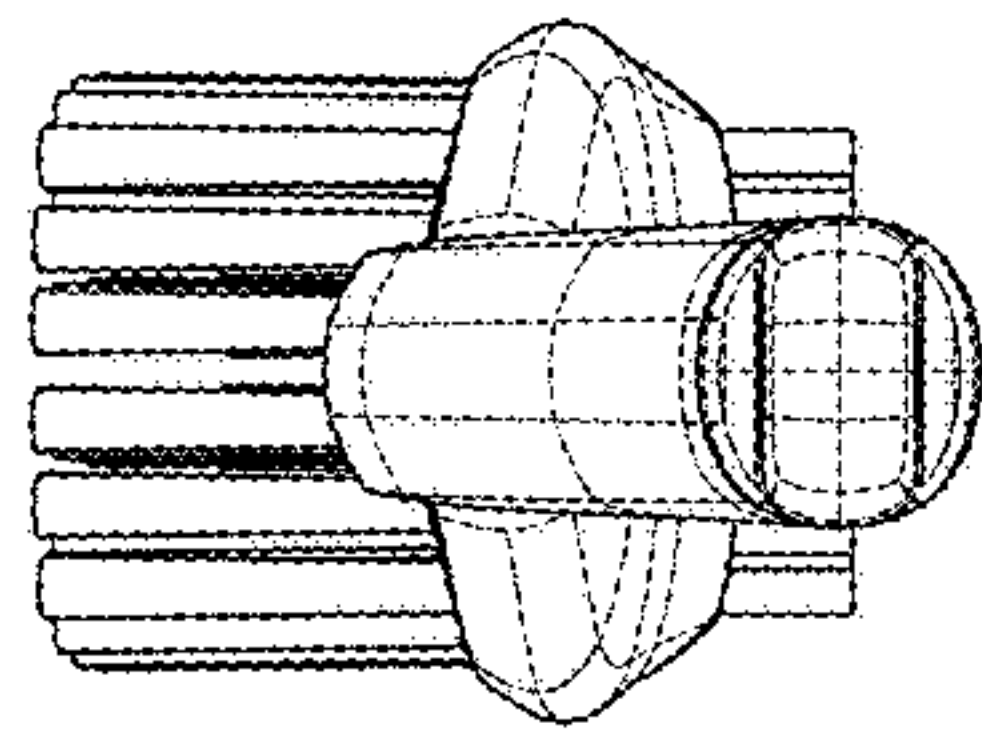


FIG. 3

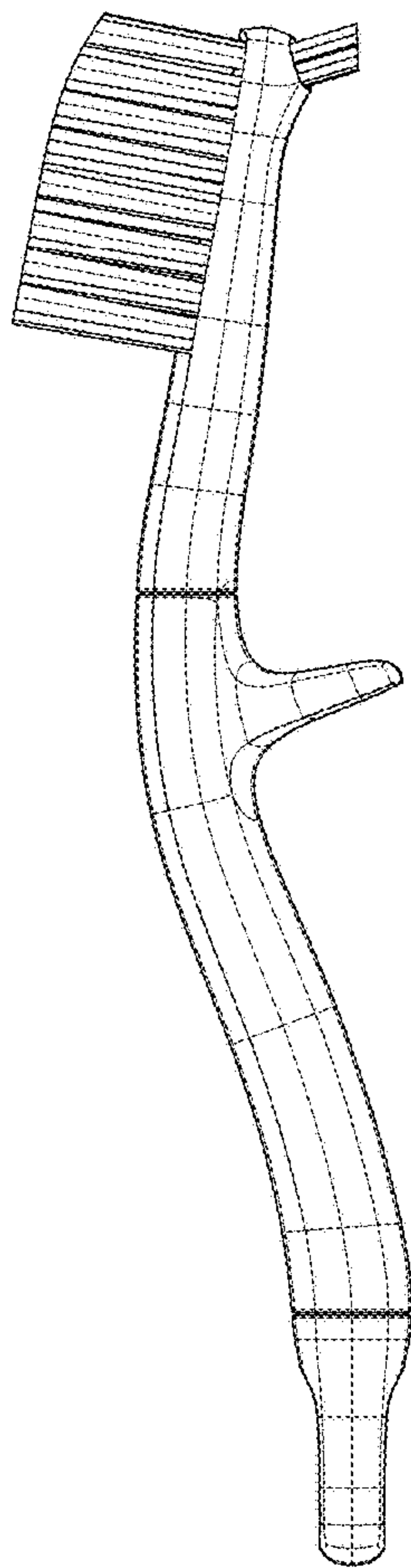


FIG. 4

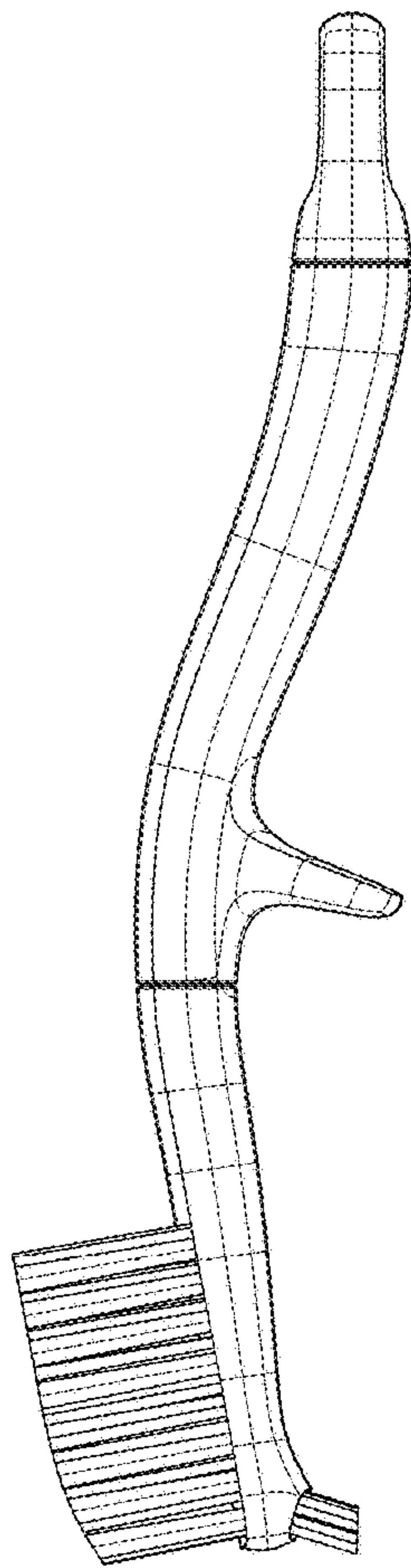


FIG. 5

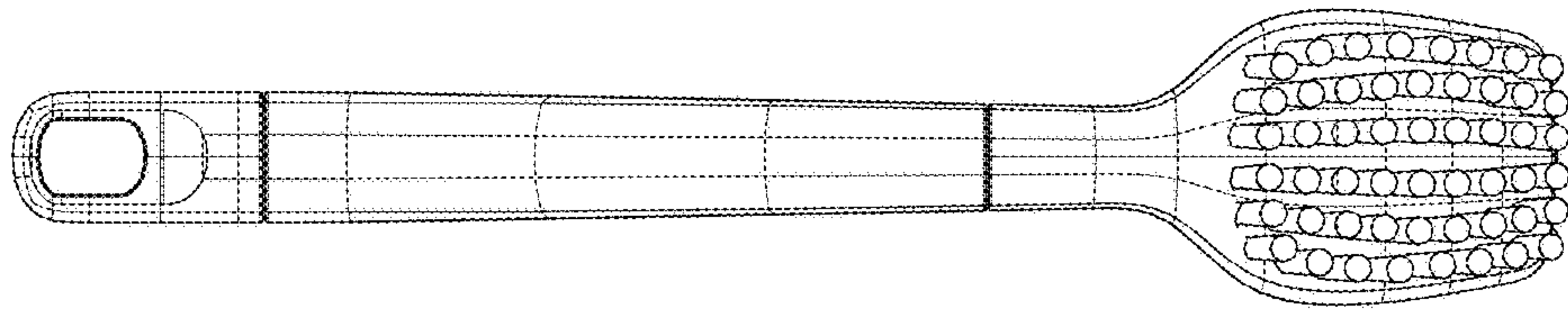


FIG. 6

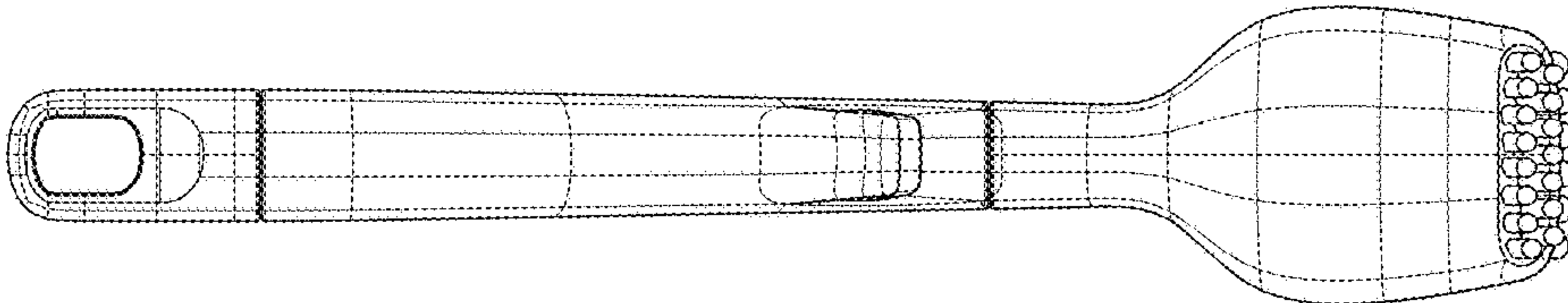


FIG. 7

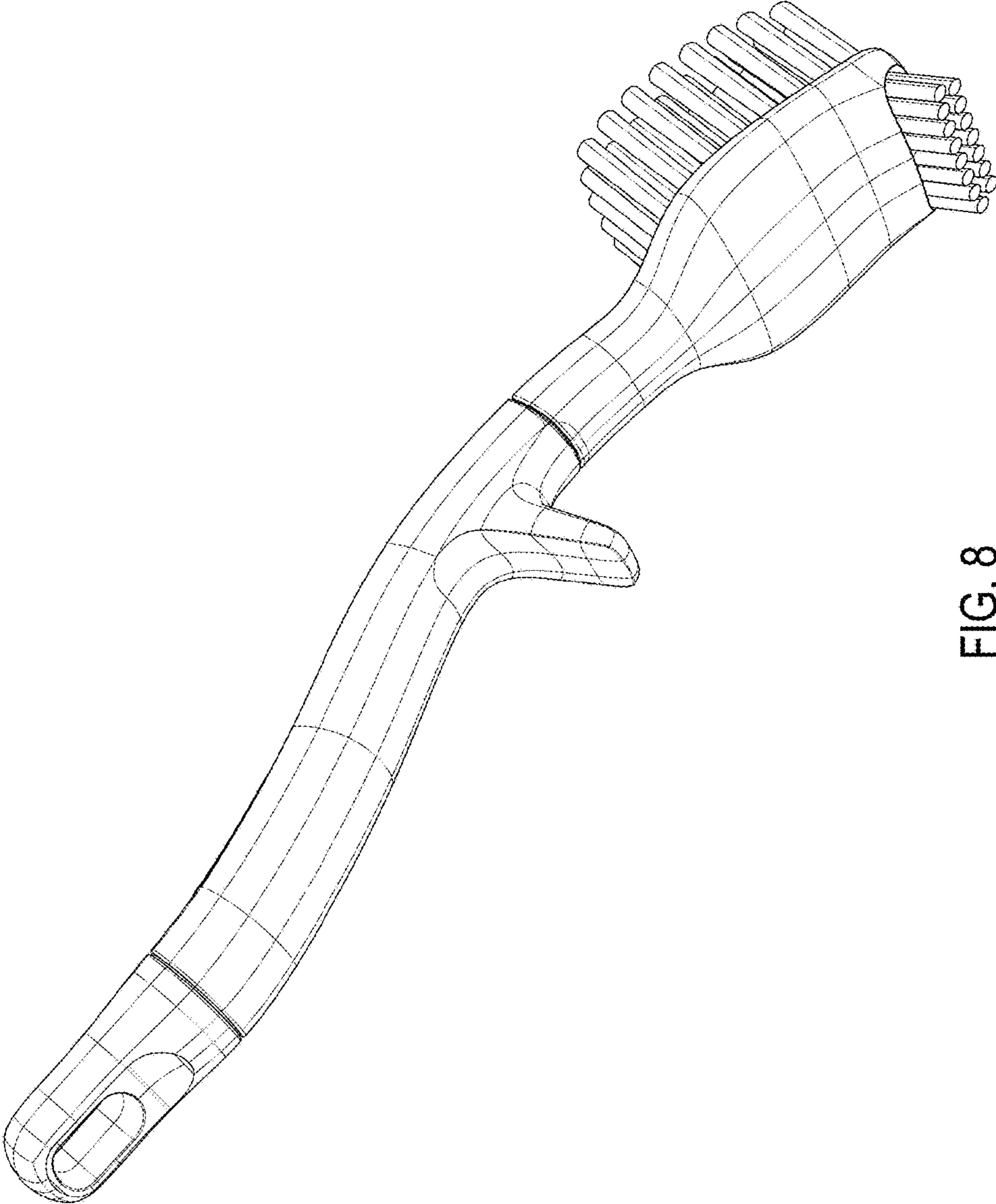


FIG. 8