



US00D851938S

(12) **United States Design Patent** (10) **Patent No.:** **US D851,938 S**  
**Bloch et al.** (45) **Date of Patent:** **\*\* Jun. 25, 2019**

(54) **REPLACEMENT HEAD FOR AN ORAL CARE IMPLEMENT**

D579,664 S \* 11/2008 Fisher ..... D4/101  
D589,256 S \* 3/2009 Taylor ..... D4/101  
D611,712 S 3/2010 Stoerkel et al.  
D632,894 S 2/2011 Shigeno et al.

(71) Applicant: **Colgate-Palmolive Company**, New York, NY (US)

(Continued)

(72) Inventors: **Brian Bloch**, Hillsborough, NJ (US);  
**Takahide Okai**, Highland Park, NJ (US); **John Gatzemeyer**, Hillsborough, NJ (US)

**FOREIGN PATENT DOCUMENTS**

CN 3323357 9/2003  
CN 301054685 11/2009

(Continued)

(73) Assignee: **Colgate-Palmolive Company**, New York, NY (US)

*Primary Examiner* — Wan Laymon  
*Assistant Examiner* — Clint A Samuel

(\*\*) Term: **15 Years**

(57) **CLAIM**

(21) Appl. No.: **29/629,215**

The ornamental design for a replacement head for an oral care implement, as shown and described.

(22) Filed: **Dec. 12, 2017**

(51) **LOC (11) Cl.** ..... **04-01**

(52) **U.S. Cl.**  
USPC ..... **D4/101**

(58) **Field of Classification Search**

USPC ..... D4/100, 101, 102, 104, 105, 108, 110,  
D4/111; D24/107, 108, 133, 152, 176;  
15/167.1

CPC ..... A46B 15/00; A46B 15/047; A46B 15/048;  
A46B 15/0071; A46B 5/00; A46B 5/02;  
A46B 5/21; A46B 5/023; A46B 5/026;  
A46B 5/028; A46B 5/0016; A46B  
5/0095; A46B 2200/10; A46B 2200/108;  
A46B 2200/1066; A46B 2200/1073;  
A46B 2200/1086; A46B 9/04; A46B  
9/10; A46B 9/045; A61C 17/16; A61C  
17/22; A61C 17/26; A61C 17/225; A61C  
3/00

See application file for complete search history.

(56) **References Cited**

**U.S. PATENT DOCUMENTS**

D482,201 S 11/2003 Long  
D509,362 S \* 9/2005 Maeda ..... D4/101

**DESCRIPTION**

FIG. 1 is a front perspective view of a replacement head for an oral care implement according to a first embodiment of the new design;

FIG. 2 is a rear perspective view thereof;

FIG. 3 is a front view thereof;

FIG. 4 is a rear view thereof;

FIG. 5 is a left side view thereof;

FIG. 6 is a right side view thereof;

FIG. 7 is a top view thereof;

FIG. 8 is a bottom view thereof;

FIG. 9 is a front perspective view of a replacement head for an oral care implement according to a second embodiment of the new design;

FIG. 10 is a rear perspective view thereof;

FIG. 11 is a front view thereof;

FIG. 12 is a rear view thereof;

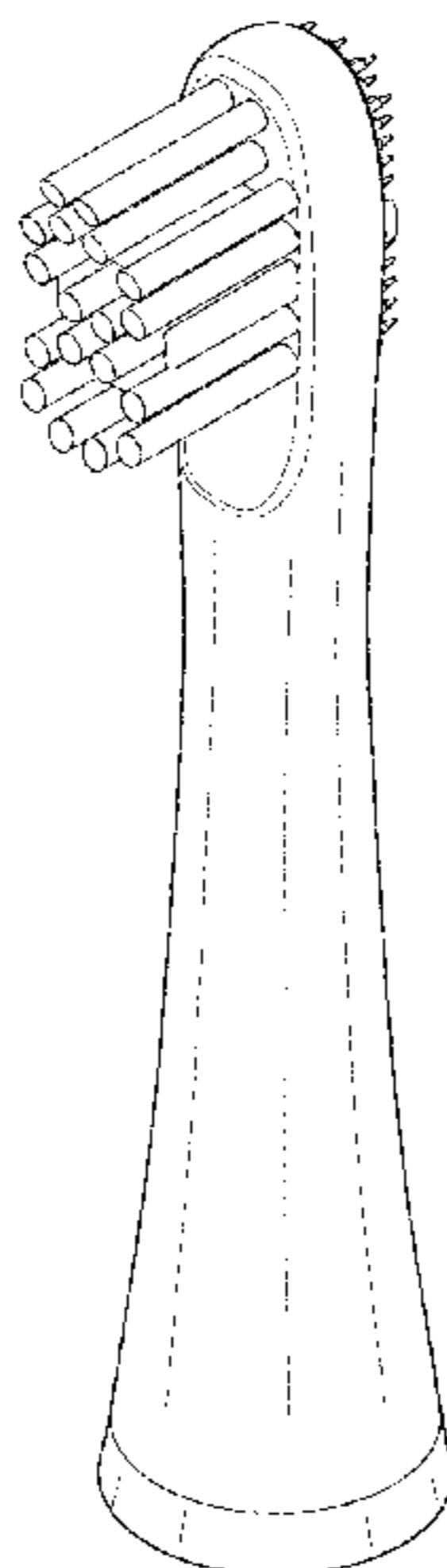
FIG. 13 is a left side view thereof;

FIG. 14 is a right side view thereof;

FIG. 15 is a top view thereof; and,

FIG. 16 is a bottom view thereof.

**1 Claim, 8 Drawing Sheets**



(56)

References Cited

U.S. PATENT DOCUMENTS

D653,035 S 1/2012 Gebski  
 D665,074 S \* 8/2012 Gebski ..... D24/111  
 D676,660 S \* 2/2013 Crossman ..... D4/101  
 D689,698 S \* 9/2013 Dickie ..... D4/101  
 8,671,493 B2 \* 3/2014 Hilscher ..... A61C 17/22  
 15/22.1  
 D706,033 S \* 6/2014 Dickie ..... D4/101  
 D714,443 S \* 9/2014 Tanaka ..... D24/152  
 D715,057 S \* 10/2014 Adriaenssen ..... D4/101  
 D724,845 S 3/2015 Yoshida et al.  
 D734,613 S 7/2015 Yoshida et al.  
 D774,771 S 12/2016 Yoshida et al.  
 D775,835 S 1/2017 Yoshida et al.  
 D780,456 S 3/2017 Takashi et al.  
 D793,735 S \* 8/2017 Zavalloni ..... D4/101  
 D793,736 S \* 8/2017 Zavalloni ..... D4/101  
 D795,419 S \* 8/2017 Kohler ..... D24/111  
 9,724,180 B1 \* 8/2017 Liu ..... A61C 17/222  
 D798,060 S 9/2017 Shigeno et al.  
 D799,218 S 10/2017 Okai  
 D799,835 S \* 10/2017 Okai ..... D4/101  
 D805,306 S \* 12/2017 Masee ..... D4/101  
 D812,911 S \* 3/2018 Bloch ..... D4/101  
 D824,174 S \* 7/2018 Altmann ..... D4/101  
 2009/0007357 A1 \* 1/2009 Meadows ..... A46B 9/005  
 15/167.1  
 2012/0077145 A1 \* 3/2012 Tsurukawa ..... A46B 5/0095  
 433/82  
 2013/0145567 A1 \* 6/2013 Haynes ..... A46B 9/04  
 15/167.1  
 2014/0182071 A1 \* 7/2014 Farrell ..... A61C 17/3418  
 15/22.1  
 2014/0230169 A1 \* 8/2014 Farrell ..... A61C 17/3418  
 15/22.1  
 2018/0140404 A1 \* 5/2018 Schaefer ..... A61C 17/22

FOREIGN PATENT DOCUMENTS

CN 301136943 2/2010  
 CN 301150823 3/2010  
 CN 301517889 4/2011  
 CN 301736979 11/2011  
 CN 302655801 11/2013  
 CN 302712322 1/2014  
 CN 302951500 10/2014  
 CN 303137887 3/2015  
 CN 303228612 6/2015  
 CN 303269796 S 7/2015  
 CN 303291741 7/2015  
 CN 303485297 12/2015  
 CN 303485300 12/2015  
 CN 303555842 1/2016  
 CN 303568989 S 1/2016

CN 303568990 S 1/2016  
 CN 303568996 1/2016  
 CN 303582077 2/2016  
 CN 303600325 3/2016  
 CN 303630115 3/2016  
 CN 303651162 4/2016  
 CN 303658434 5/2016  
 CN 303705050 6/2016  
 CN 303705073 6/2016  
 CN 303731682 6/2016  
 CN 303758098 7/2016  
 CN 303781887 8/2016  
 CN 303810436 8/2016  
 CN 303857368 9/2016  
 CN 303858605 9/2016  
 CN 303873245 9/2016  
 CN 303919026 11/2016  
 CN 303962142 12/2016  
 CN 303972535 12/2016  
 CN 303990679 12/2016  
 CN 304097979 4/2017  
 CN 304108472 4/2017  
 CN 304120816 5/2017  
 CN 304124146 5/2017  
 CN 304134556 5/2017  
 CN 304181219 6/2017  
 CN 304189305 6/2017  
 CN 304251488 8/2017  
 CN 304267080 9/2017  
 CN 304276474 9/2017  
 CN 304276504 9/2017  
 EM 001078414-0007 5/2009  
 EM 001127815-0002 6/2009  
 EM 001787714-0004 12/2010  
 EM 001255947-0002 4/2011  
 EM 001312672-0001 2/2012  
 EM 002012328-0001 4/2012  
 EM 002012328-0002 4/2012  
 EM 001317358-0002 5/2012  
 EM 001333496-0001 7/2012  
 EM 002163675-0002 1/2013  
 EM 002218651-0001 7/2013  
 EM 002218651-0002 7/2013  
 EM 001413454-0001 6/2014  
 EM 002422949-0001 9/2014  
 EM 002424069-0001 9/2014  
 EM 002488676-0001 1/2015  
 EM 002488676-0002 1/2015  
 EM 002637884-0001 2/2015  
 EM 004043263-0001 6/2017  
 EM 004119089-0001 7/2017  
 EM 004140150-0001 8/2017  
 EM 004173342-0003 9/2017  
 EM 004173342-0004 9/2017  
 TW D170543 9/2015

\* cited by examiner

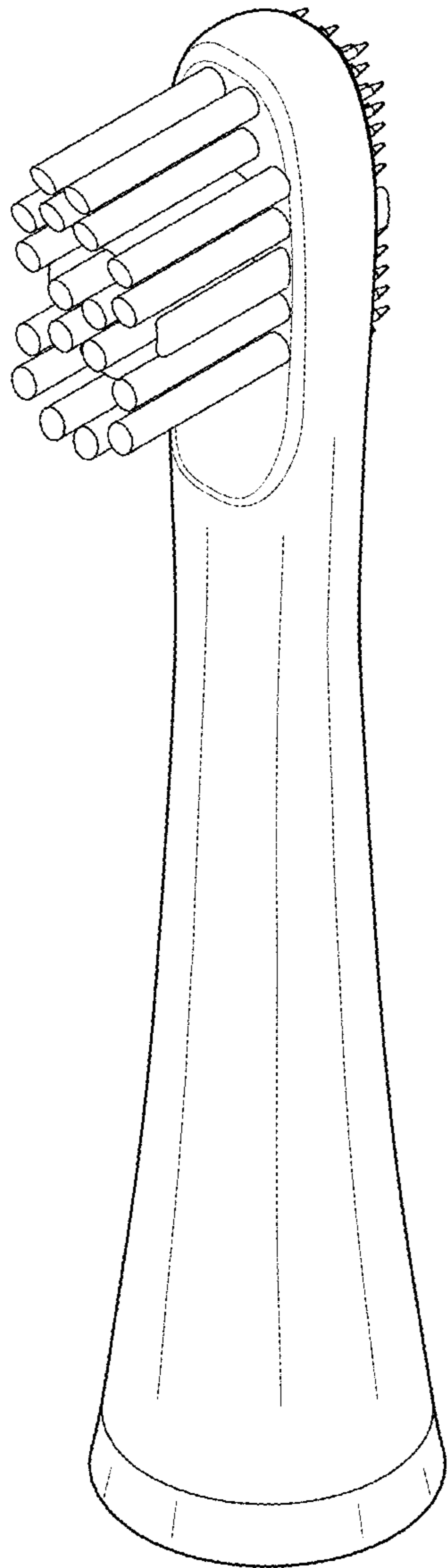


FIG. 1

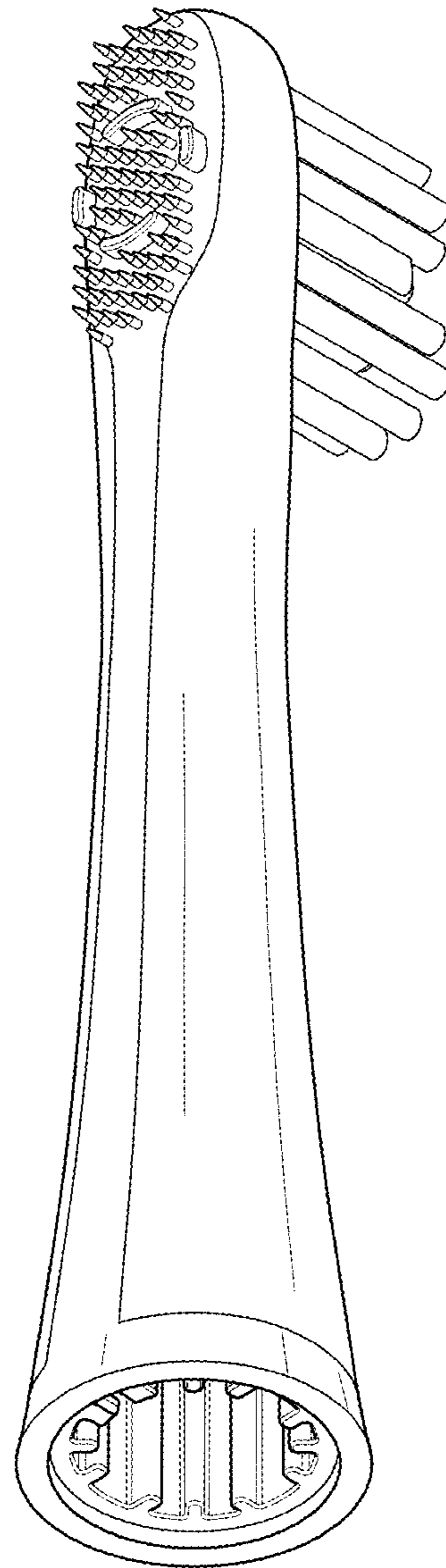


FIG. 2

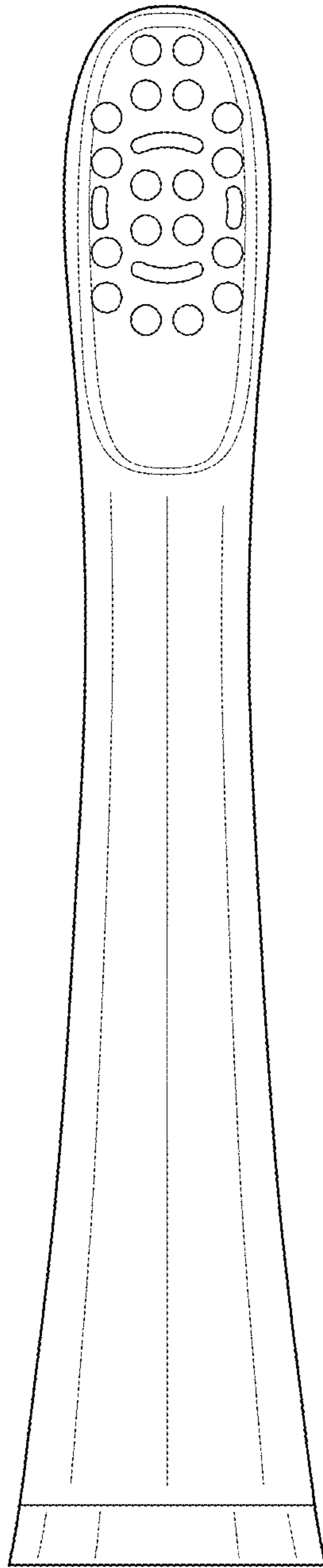


FIG. 3

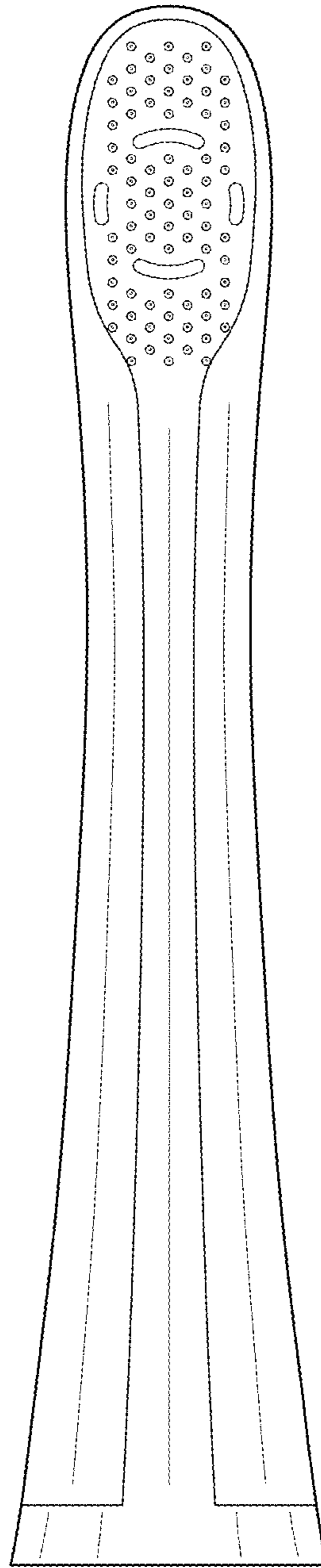


FIG. 4

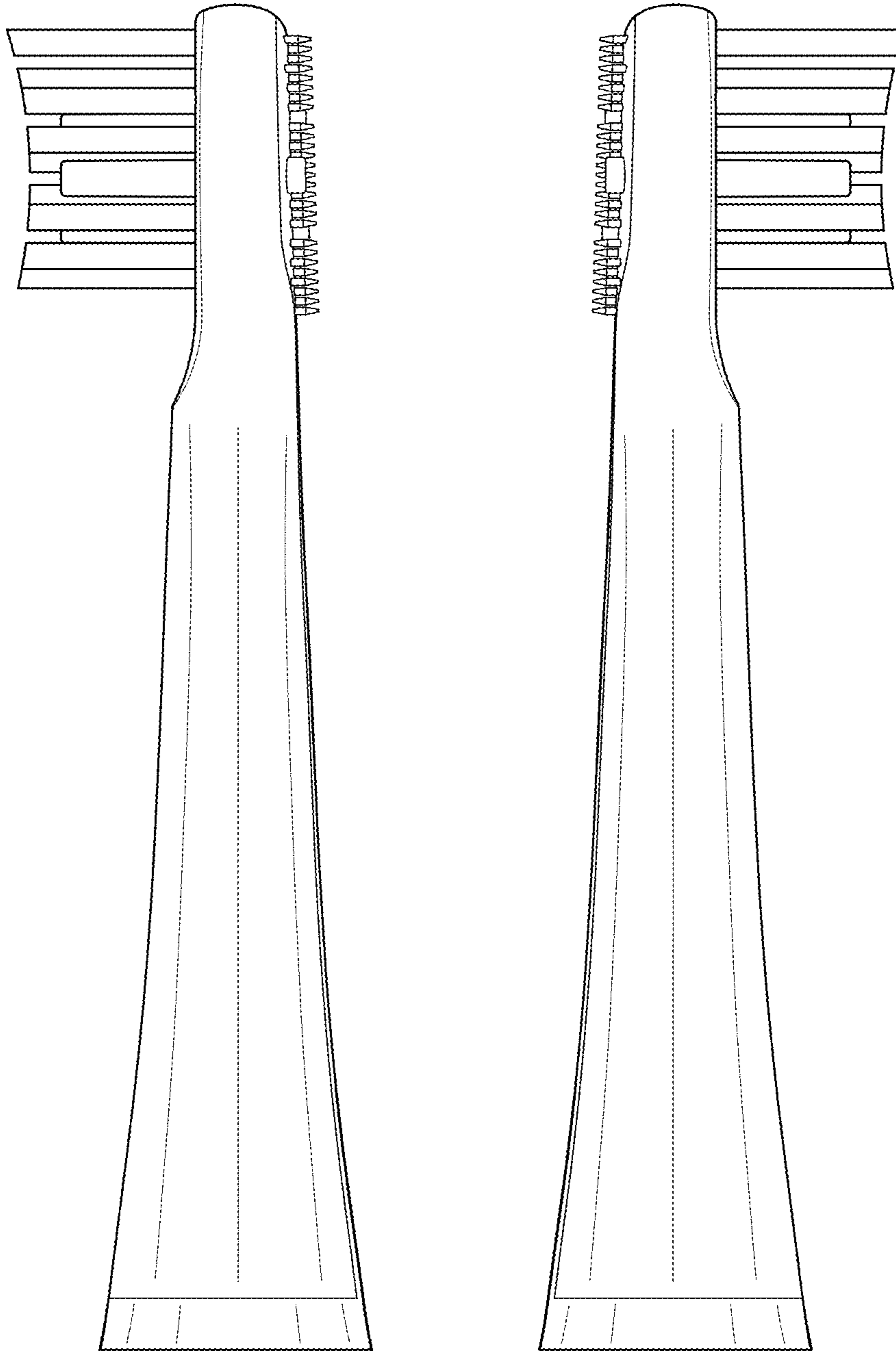


FIG. 5

FIG. 6

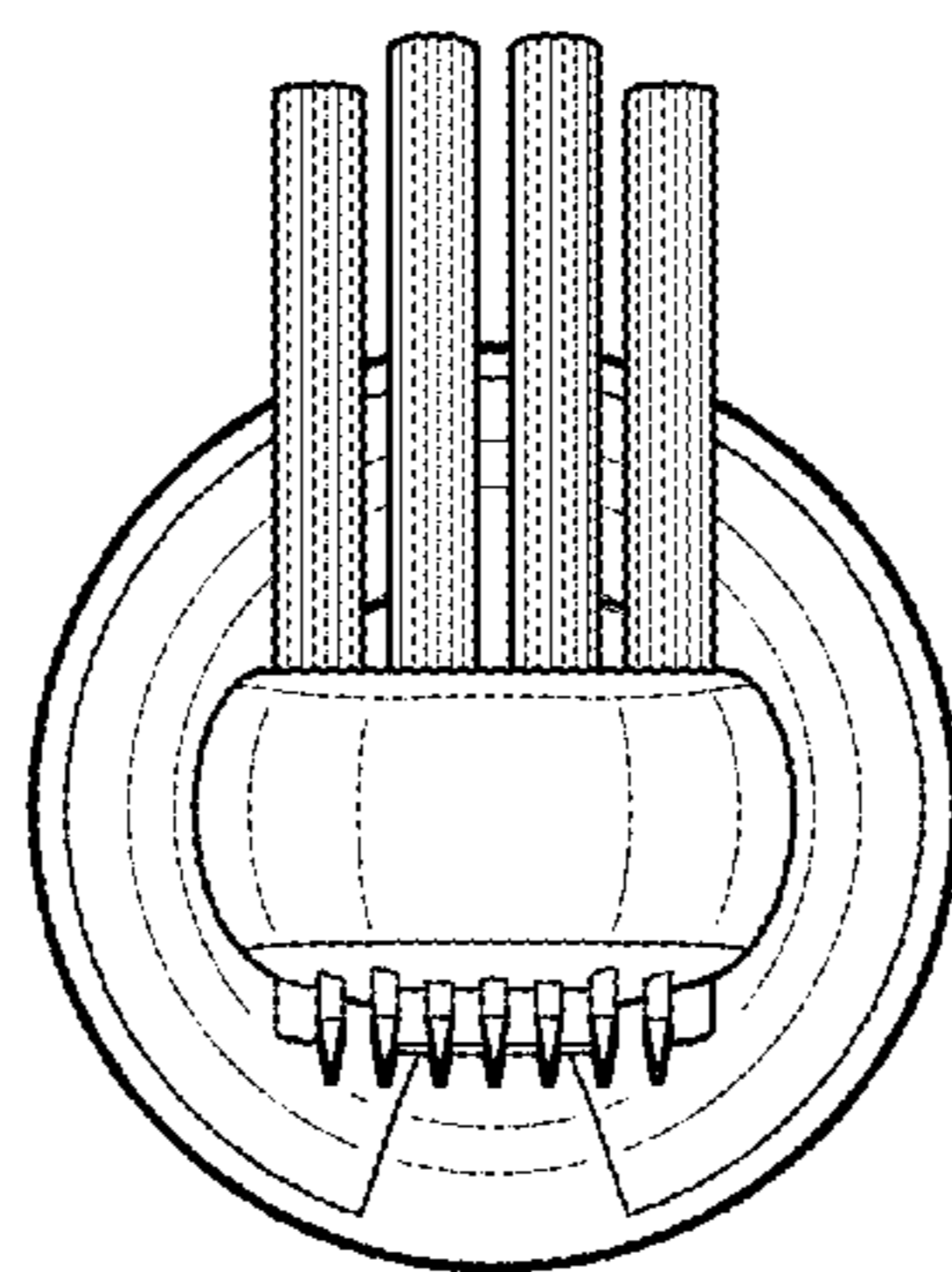


FIG. 7

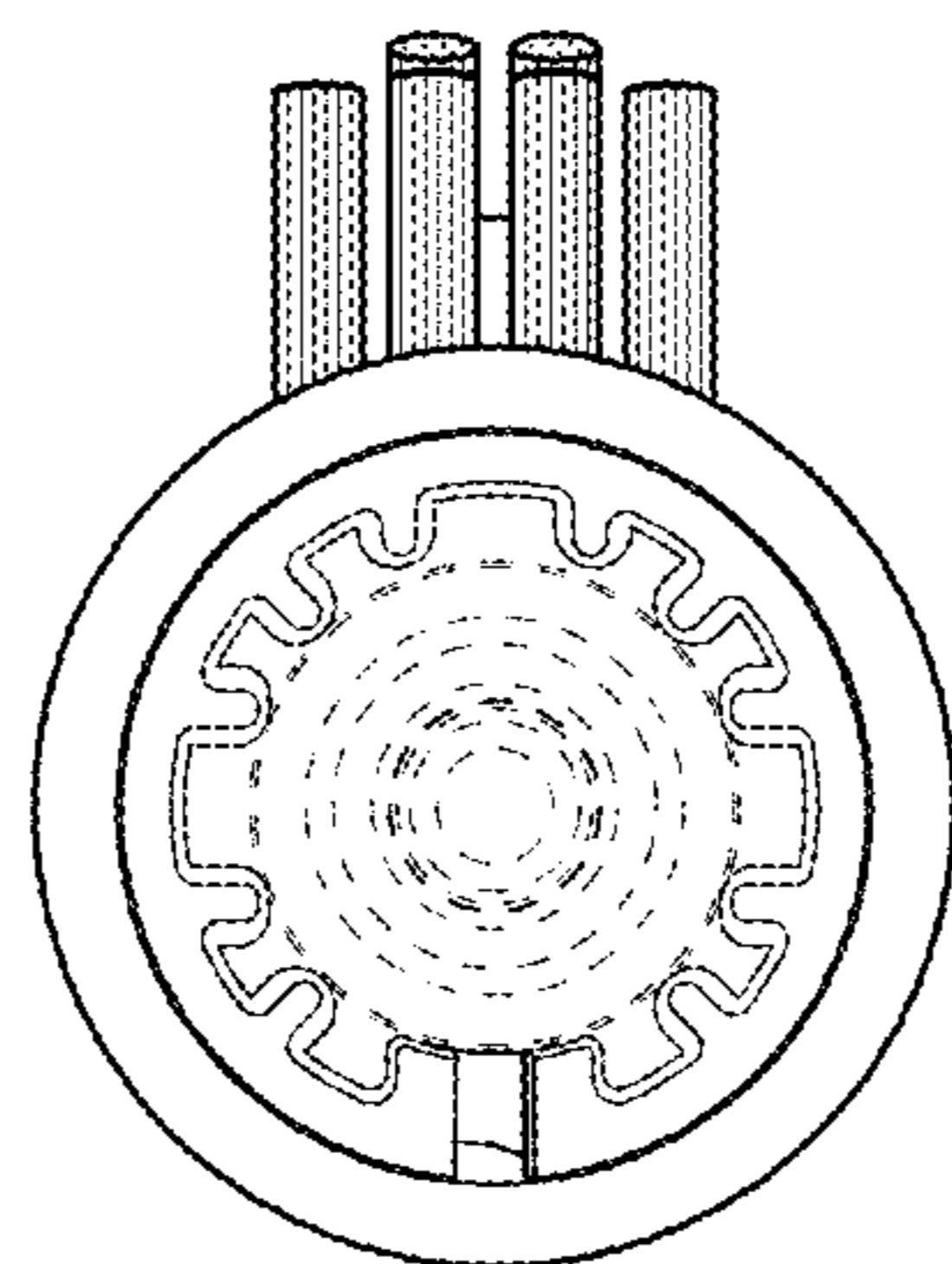


FIG. 8

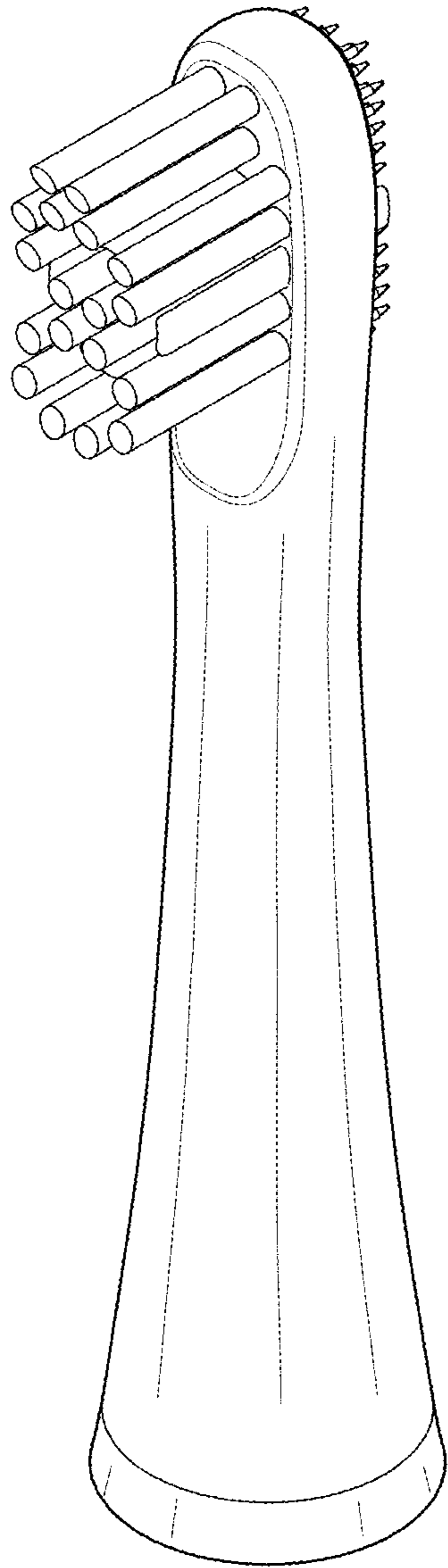


FIG. 9

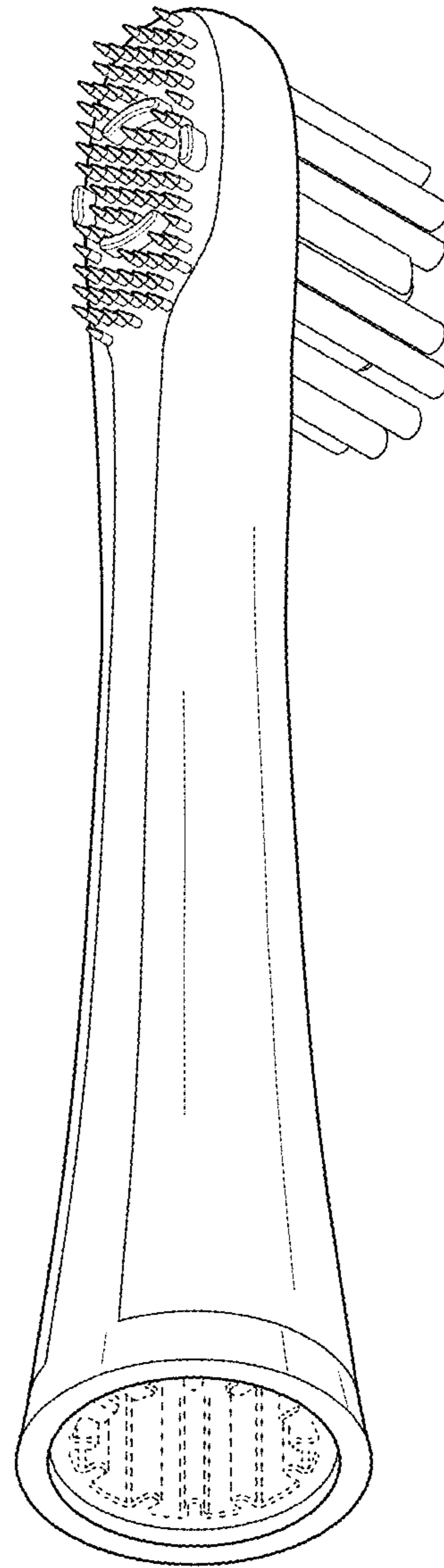


FIG. 10

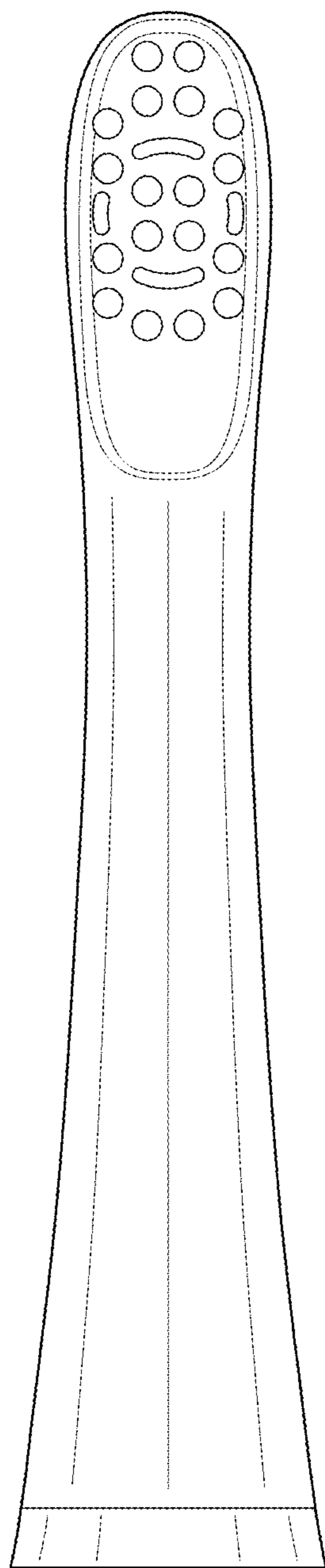


FIG. 11

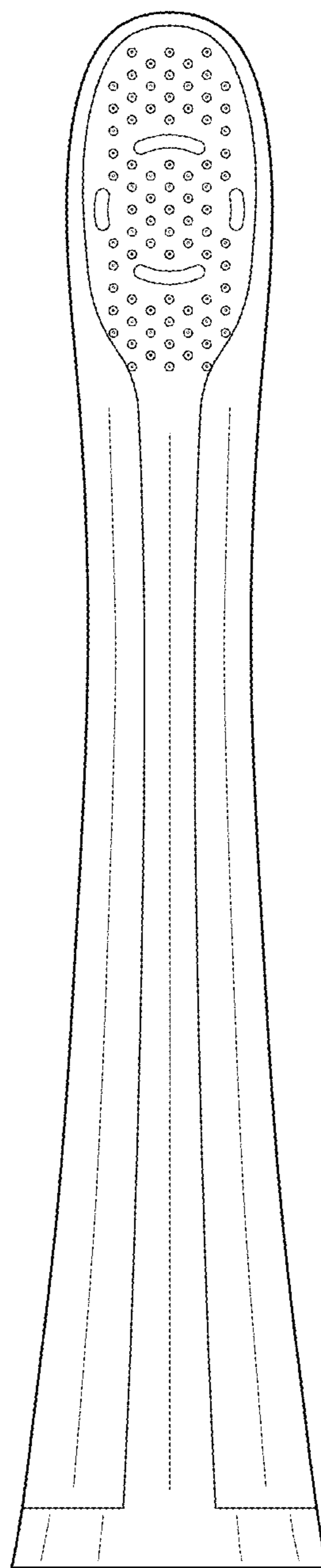


FIG. 12



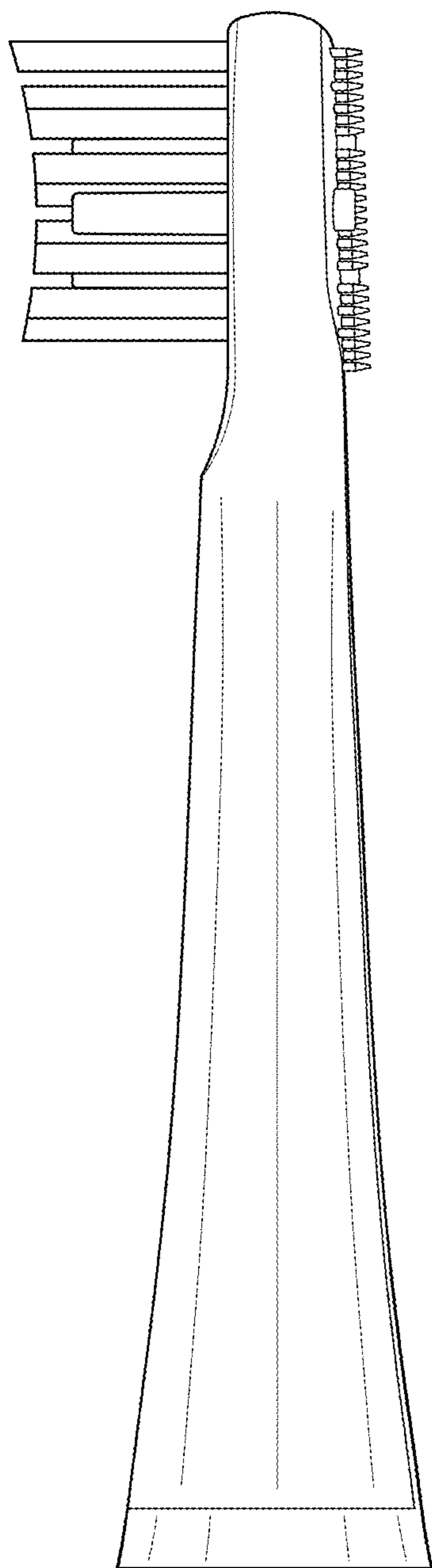


FIG. 13

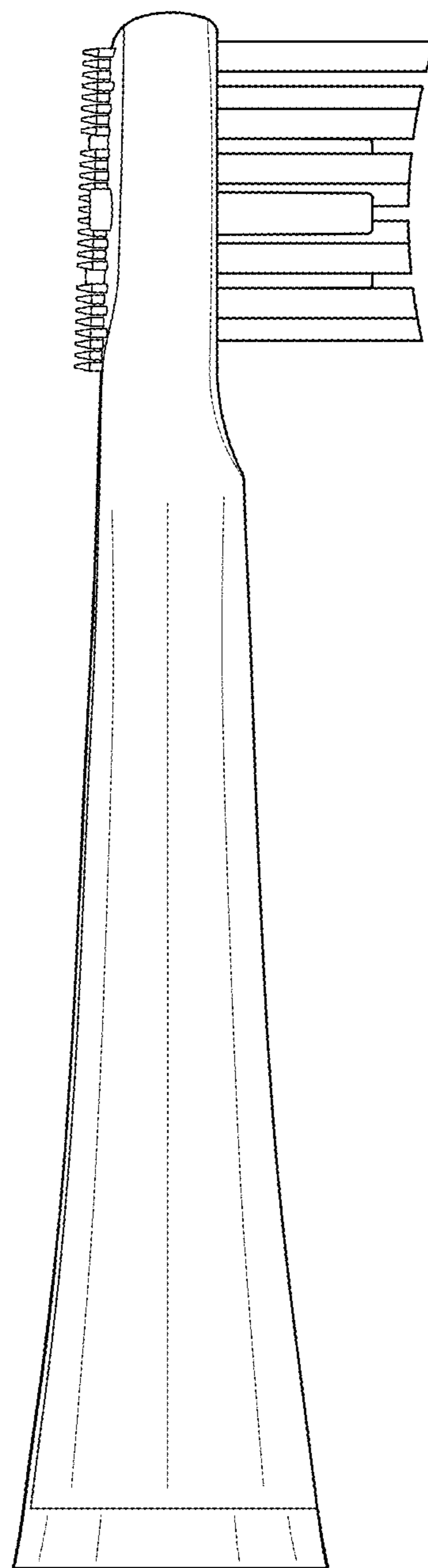


FIG. 14

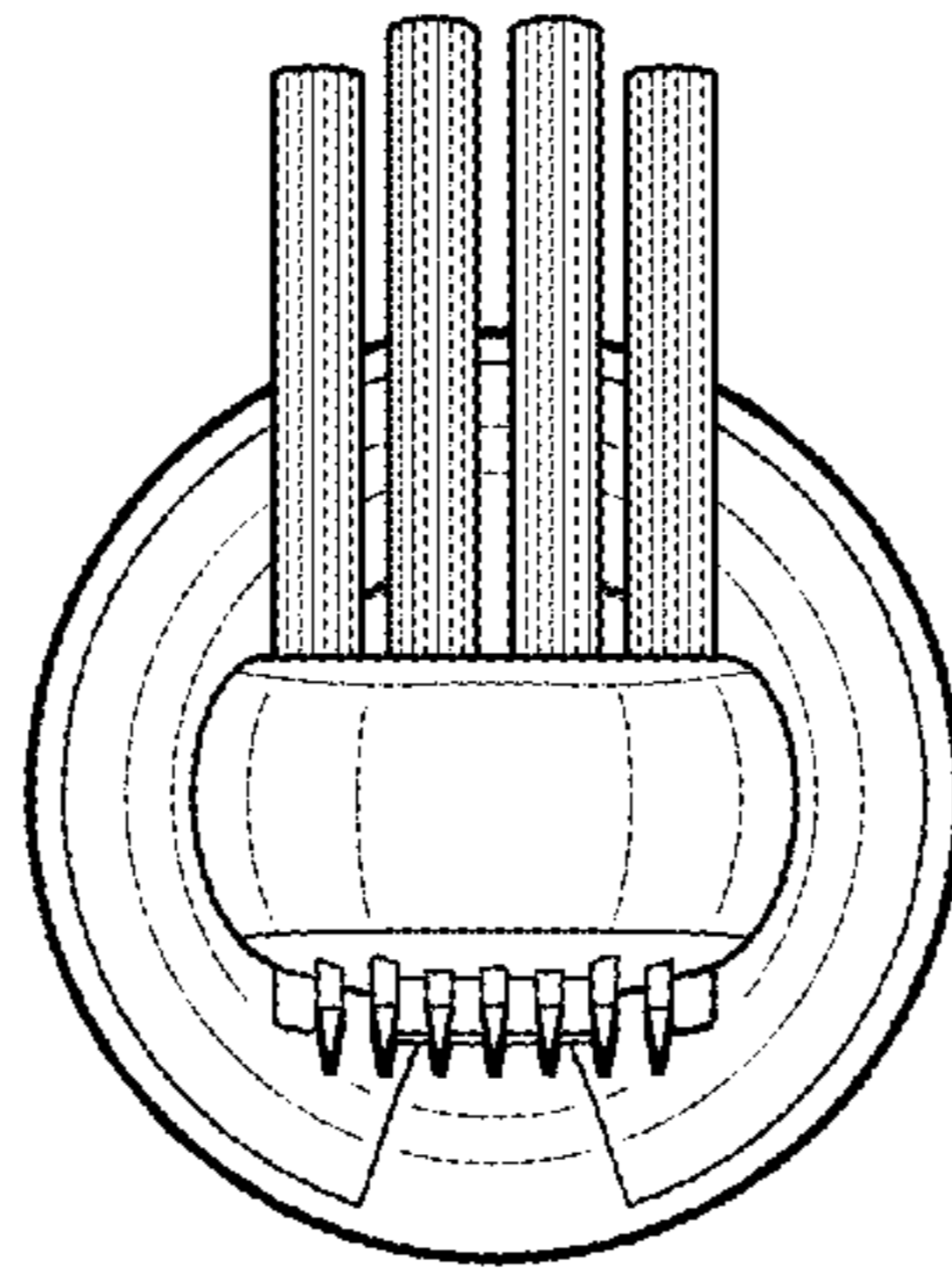


FIG. 15

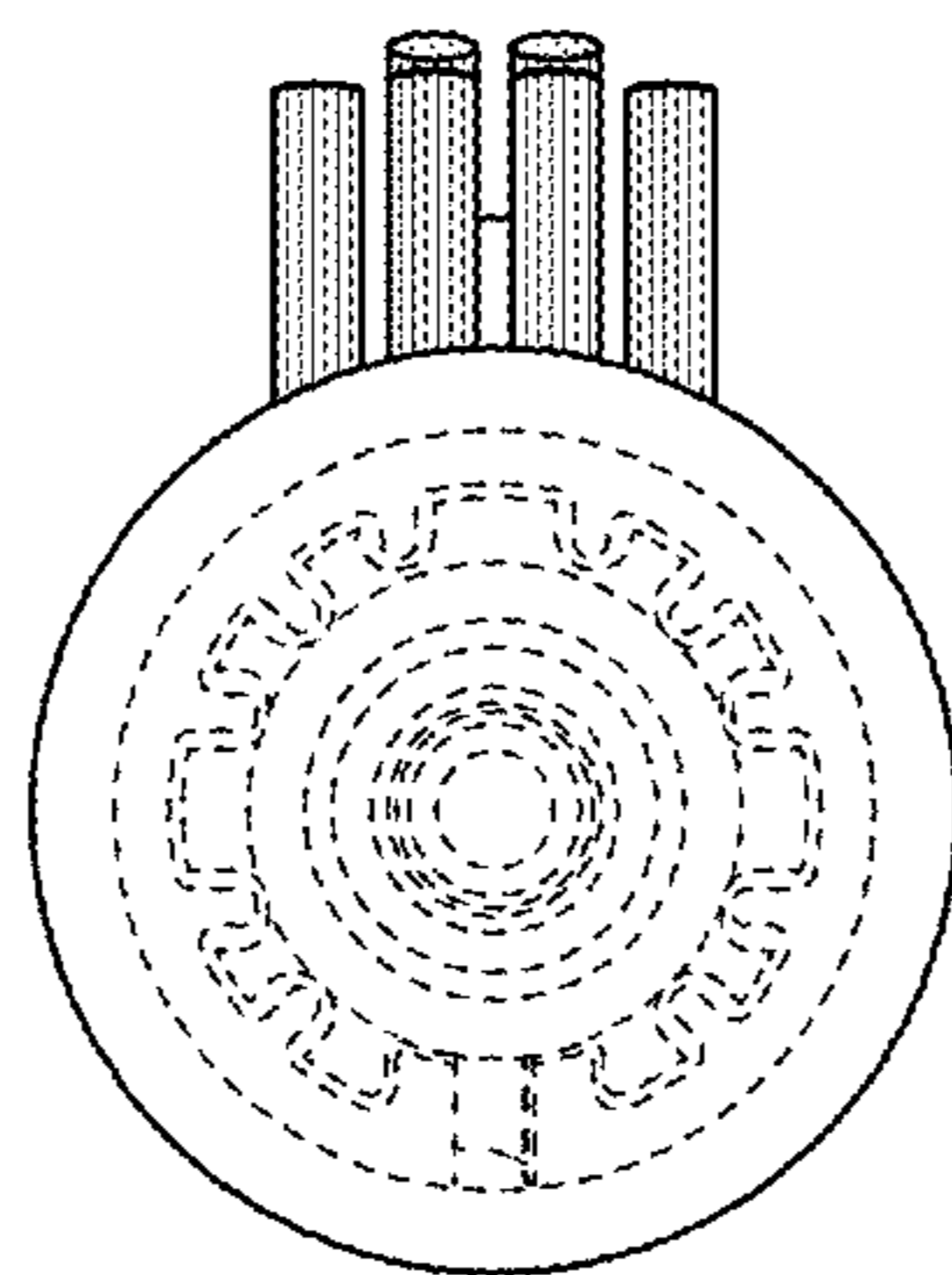


FIG. 16