



US00D851937S

(12) **United States Design Patent** (10) **Patent No.:** **US D851,937 S**  
**Fuller** (45) **Date of Patent:** **\*\* Jun. 25, 2019**

(54) **TOTE BAG WITH DETACHABLE UPPER SECTION**

(71) Applicant: **Black Diamond Group, Inc.**, Woburn, MA (US)

(72) Inventor: **Sue Fuller**, Birmingham, MI (US)

(73) Assignee: **Black Diamond Group, Inc.**, Woburn, MA (US)

(\*\*) Term: **15 Years**

(21) Appl. No.: **29/636,564**

(22) Filed: **Feb. 9, 2018**

(51) **LOC (11) Cl.** ..... **03-01**

(52) **U.S. Cl.**  
USPC ..... **D3/318**

(58) **Field of Classification Search**  
USPC ..... D3/232-233, 240-243, 245-246, 318  
CPC ..... A45C 1/024; A45C 3/06  
See application file for complete search history.

(56) **References Cited**

U.S. PATENT DOCUMENTS

D712,651 S \* 9/2014 Proteau ..... D3/232  
D724,317 S \* 3/2015 Proteau ..... D3/232

\* cited by examiner

*Primary Examiner* — Holly H Baynham

(74) *Attorney, Agent, or Firm* — Pierce Atwood LLP;  
Kevin M. Farrell

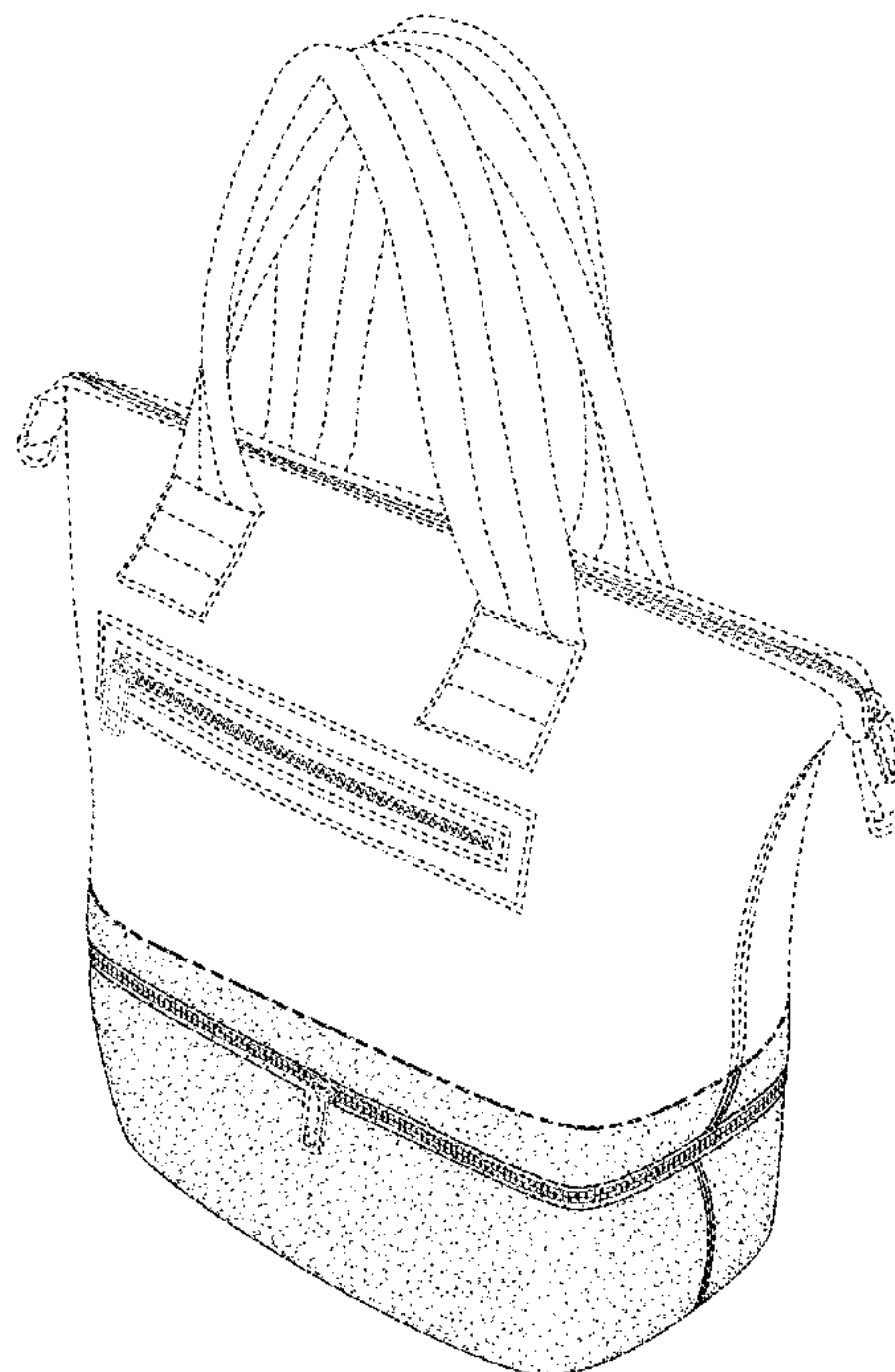
(57) **CLAIM**

The ornamental design for a tote bag with detachable upper section, as shown and described.

**DESCRIPTION**

FIG. 1 is a perspective view of a tote bag with detachable upper section;  
FIG. 2 is a front perspective view of the tote bag with detachable upper section;  
FIG. 3 is a back view of the tote bag with detachable upper section;  
FIG. 4 is a right side view of the tote bag with detachable upper section;  
FIG. 5 is a left side view of the tote bag with detachable upper section;  
FIG. 6 is a bottom view of the tote bag with detachable upper section;  
FIG. 7 is a perspective view of the tote bag with detachable upper section separated from the tote bag;  
FIG. 8 is a bottom view of the tote bag;  
FIG. 9 is a top view of the tote bag;  
FIG. 10 is a perspective view of a second embodiment of a tote bag with detachable upper section, the only difference being the configuration of the detachable upper section, it being understood that all other surfaces are the same as those of the first embodiment; and,  
FIG. 11 is a perspective view of a second embodiment of the tote bag with detachable upper section separated from the tote bag, the only difference being the configuration of the detachable upper section, it being understood that all other surfaces are the same as those of the first embodiment.  
The broken lines showing a purse and backpack are for the purposes of illustrating environment and form no part of the claimed design.

**1 Claim, 9 Drawing Sheets**



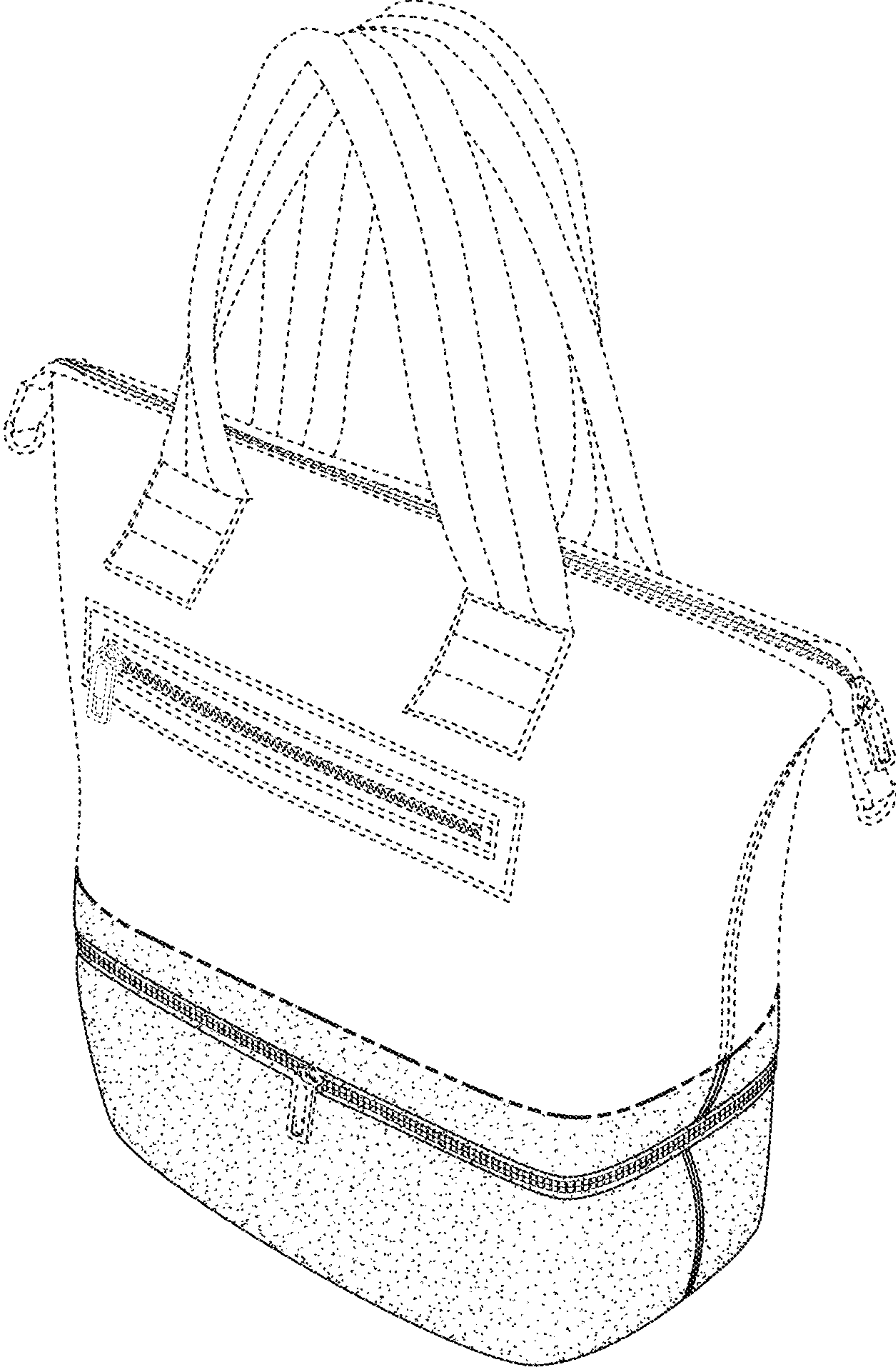


FIG. 1



FIG. 2



FIG. 3



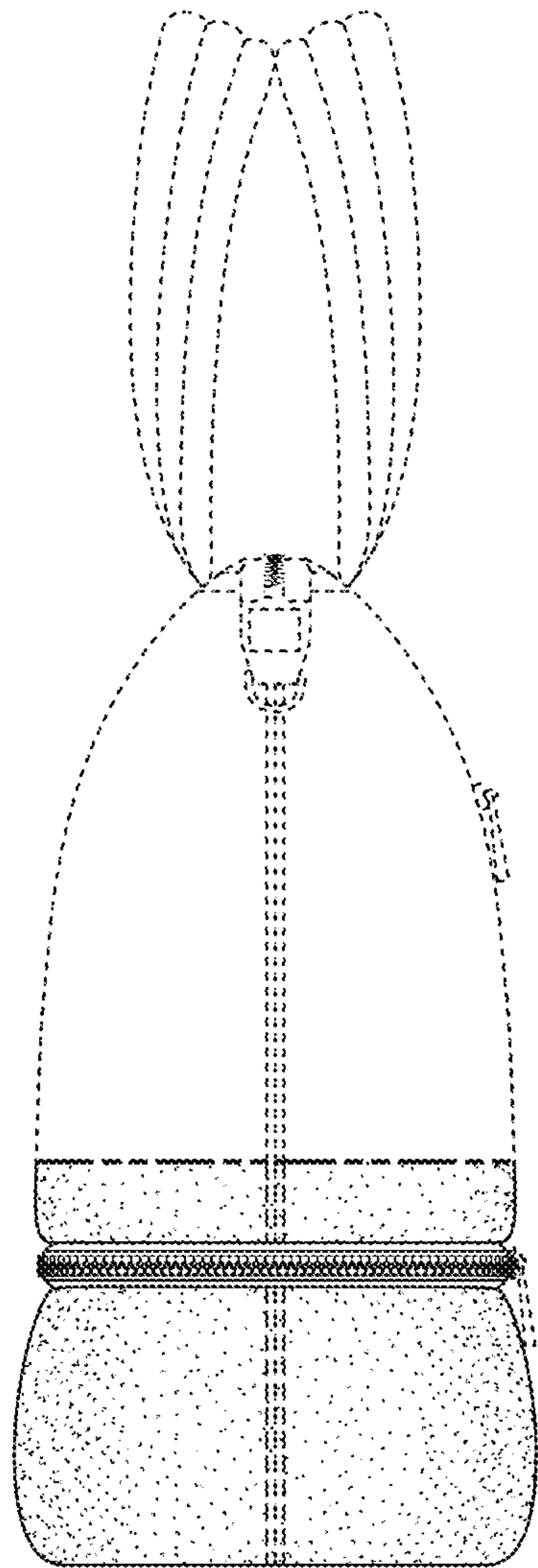


FIG. 4

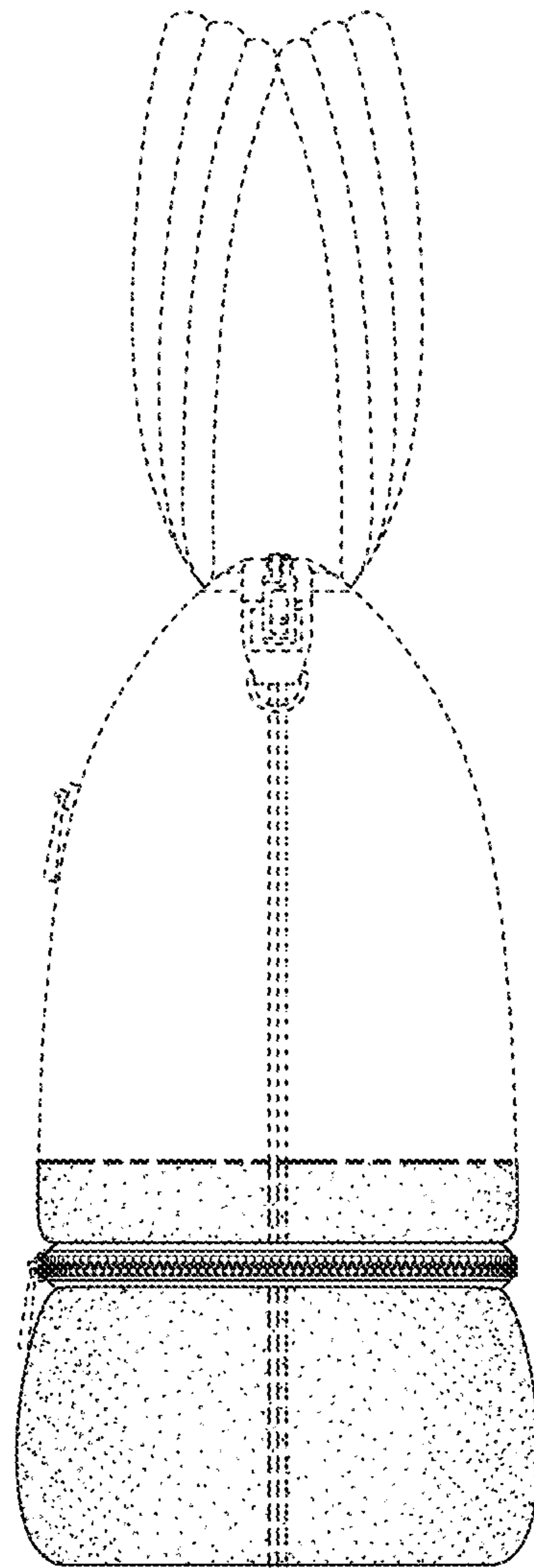


FIG. 5

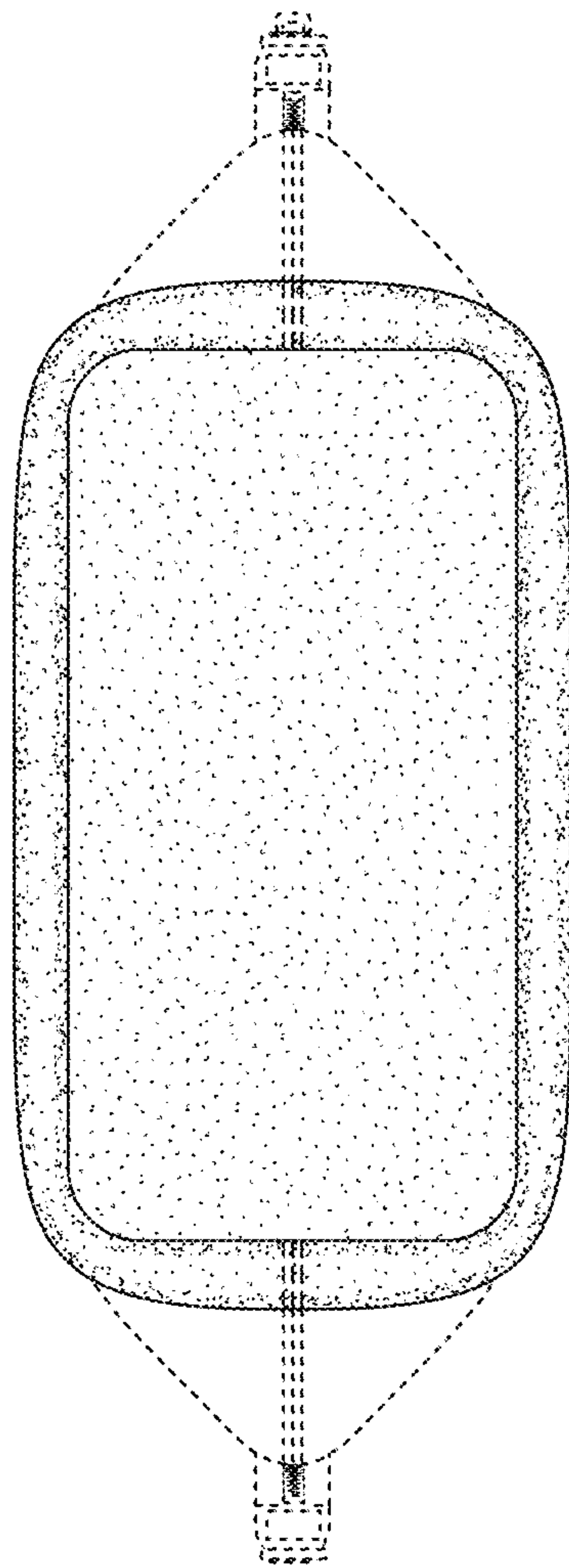


FIG. 6

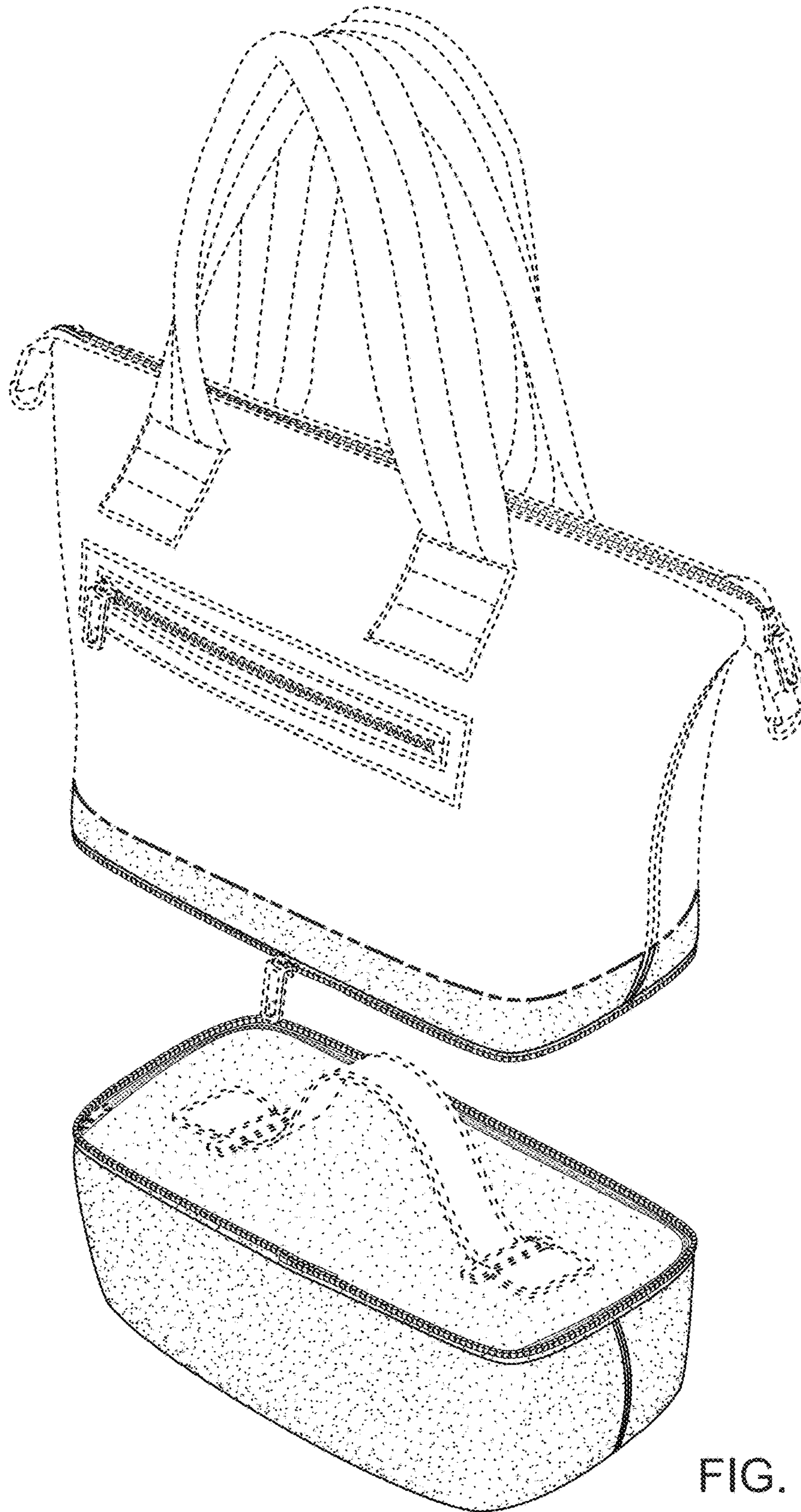


FIG. 7

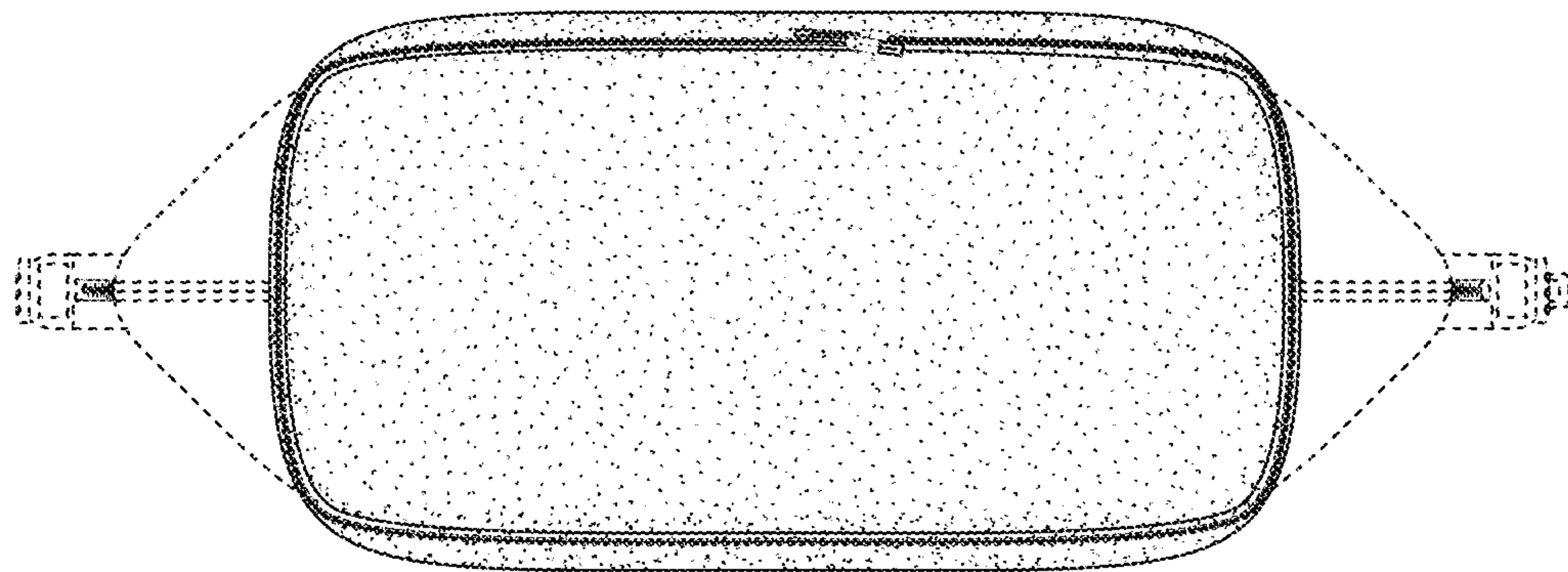


FIG. 8

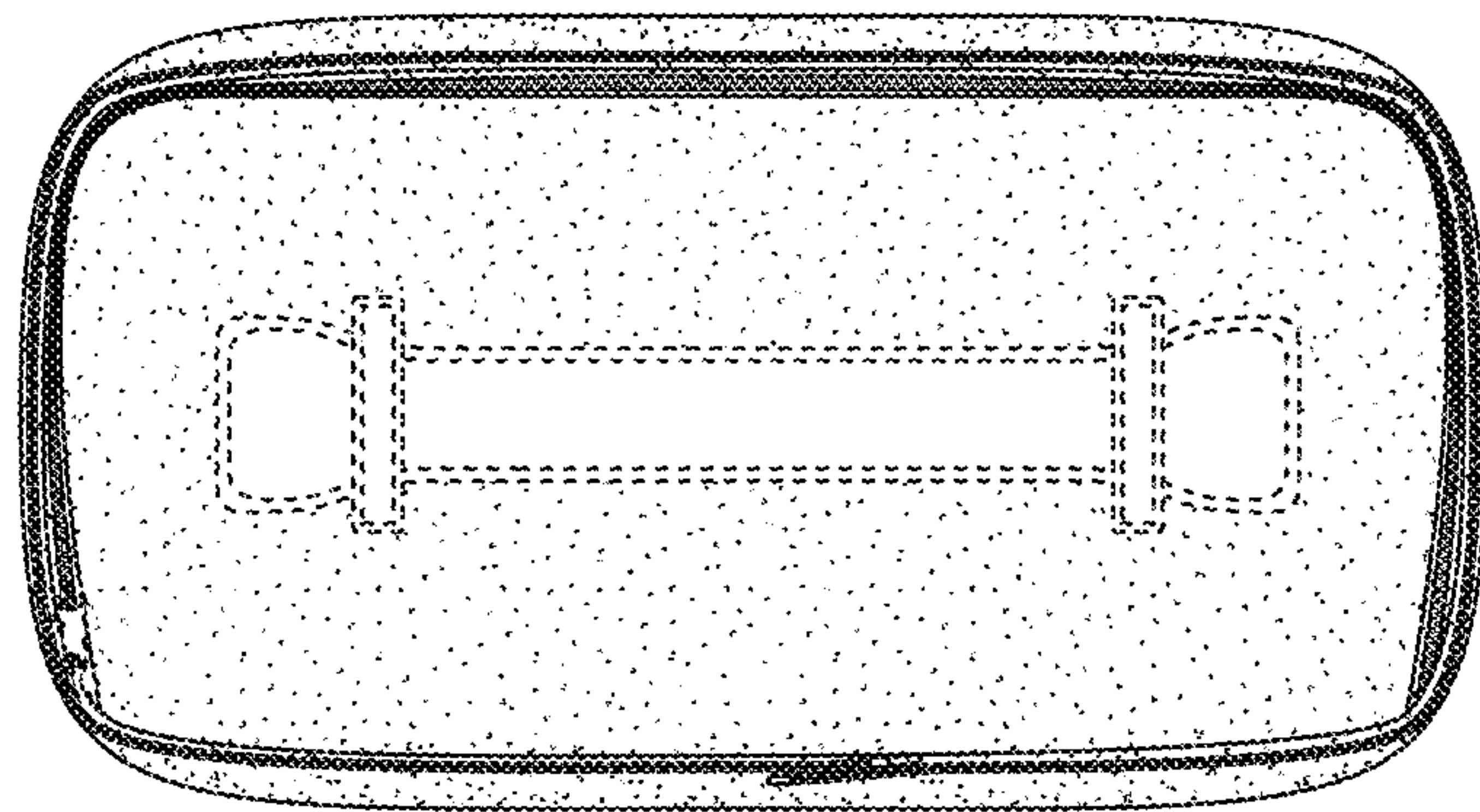


FIG. 9



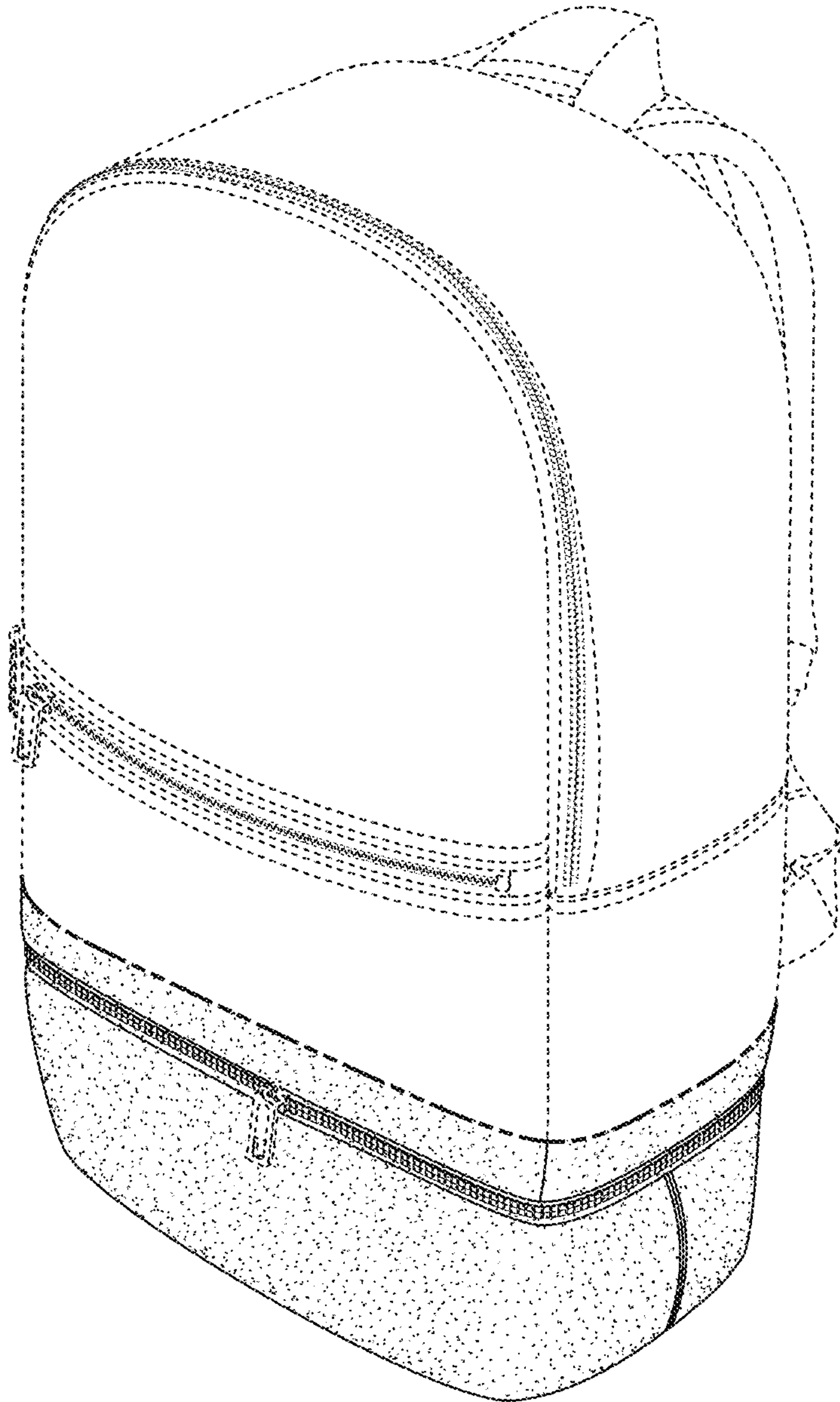


FIG. 10

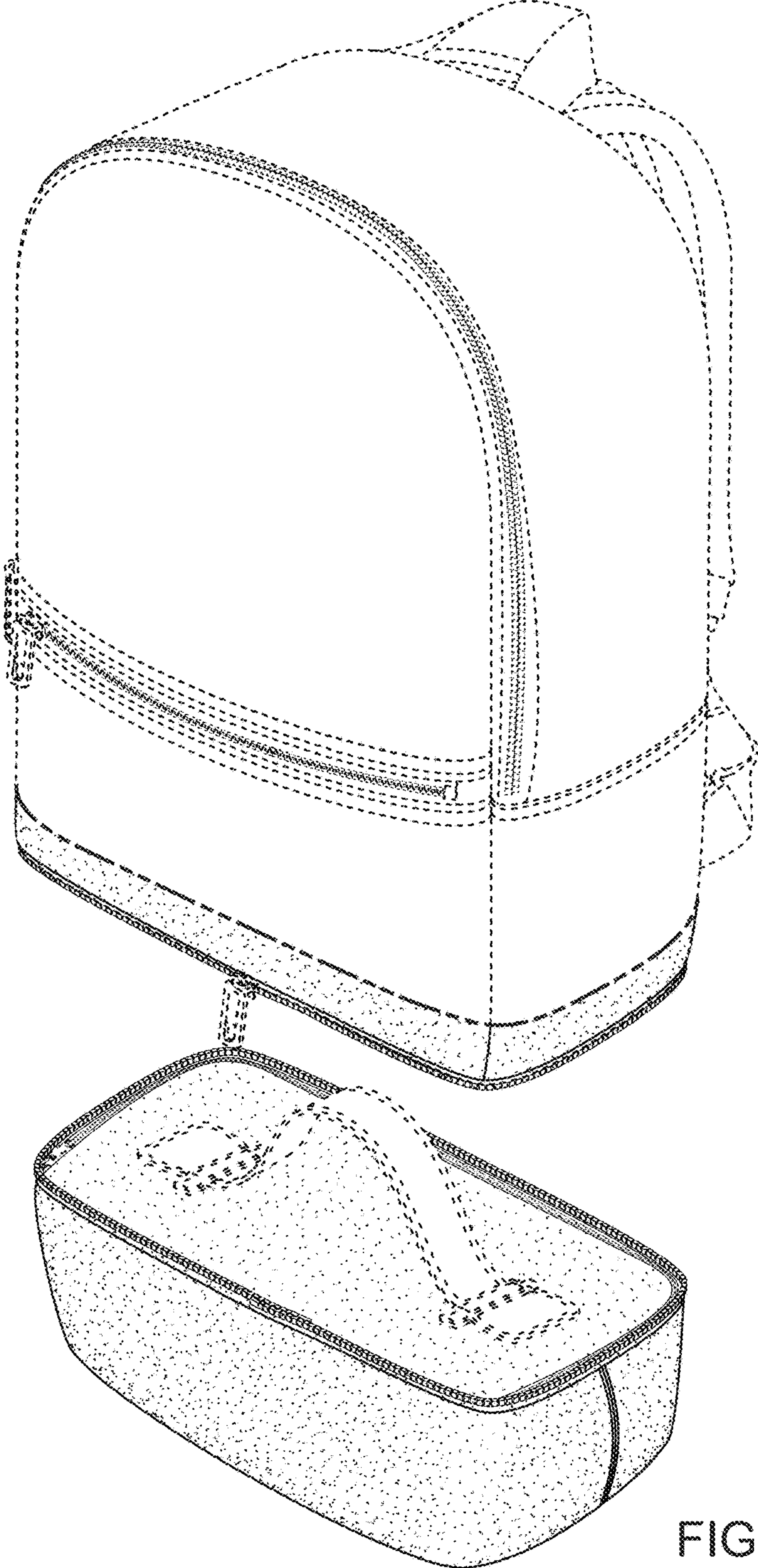


FIG. 11