



US00D851936S

(12) **United States Design Patent**
Lit Chung

(10) **Patent No.:** **US D851,936 S**
(45) **Date of Patent:** **** Jun. 25, 2019**

(54) **COLLAPSIBLE VEHICLE ORGANIZER**

* cited by examiner

(71) Applicant: **Vivian Lit Chung**, Calgary (CA)

Primary Examiner — Charles D Hanson

(72) Inventor: **Vivian Lit Chung**, Calgary (CA)

(74) *Attorney, Agent, or Firm* — Jeffrey T. Breloski;
ATLawip LLC

(**) Term: **15 Years**

(57) **CLAIM**

(21) Appl. No.: **29/669,569**

That which is claimed is the ornamental design for a collapsible vehicle organizer, as shown and described.

(22) Filed: **Nov. 9, 2018**

(51) **LOC (11) Cl.** **03-03**

(52) **U.S. Cl.**

USPC **D3/315**

(58) **Field of Classification Search**

USPC D3/315, 283, 285

CPC A45C 11/00; A45C 11/24; A45C 13/00;
A45C 13/02

See application file for complete search history.

DESCRIPTION

(56) **References Cited**

U.S. PATENT DOCUMENTS

D465,134 S *	11/2002	Joss	D3/287
6,810,933 B2 *	11/2004	Gordon	A45C 13/02
				150/107
D526,484 S *	8/2006	Flint	D3/283
D613,507 S *	4/2010	Brouard	D3/315
D635,769 S *	4/2011	Sosnovsky	D3/304
D662,710 S *	7/2012	Frailman	D3/283
D670,500 S *	11/2012	Sosnovsky	D3/304
D698,150 S *	1/2014	Sabounjian	D3/285
D752,345 S *	3/2016	Szucs	D3/305
D779,824 S *	2/2017	Boroski	D3/283
D784,908 S *	4/2017	Kalchuri	D12/416
D799,823 S *	10/2017	Schartle	D3/285
D835,909 S *	12/2018	Lin	D3/283

FIG. 1 is a perspective view of a collapsible vehicle organizer showing my new design as viewed from the top back left;

FIG. 2 is a front elevational view thereof;

FIG. 3 is a rear elevational view thereof;

FIG. 4 is a left side elevational view thereof;

FIG. 5 is a right side elevational view thereof;

FIG. 6 is a top plan view thereof;

FIG. 7 is a bottom plan view thereof;

FIG. 8 is a perspective view of a collapsible vehicle organizer showing my new design, in collapsed position, as viewed from the top back left;

FIG. 9 is a left side elevational view thereof;

FIG. 10 is a right side elevational view thereof;

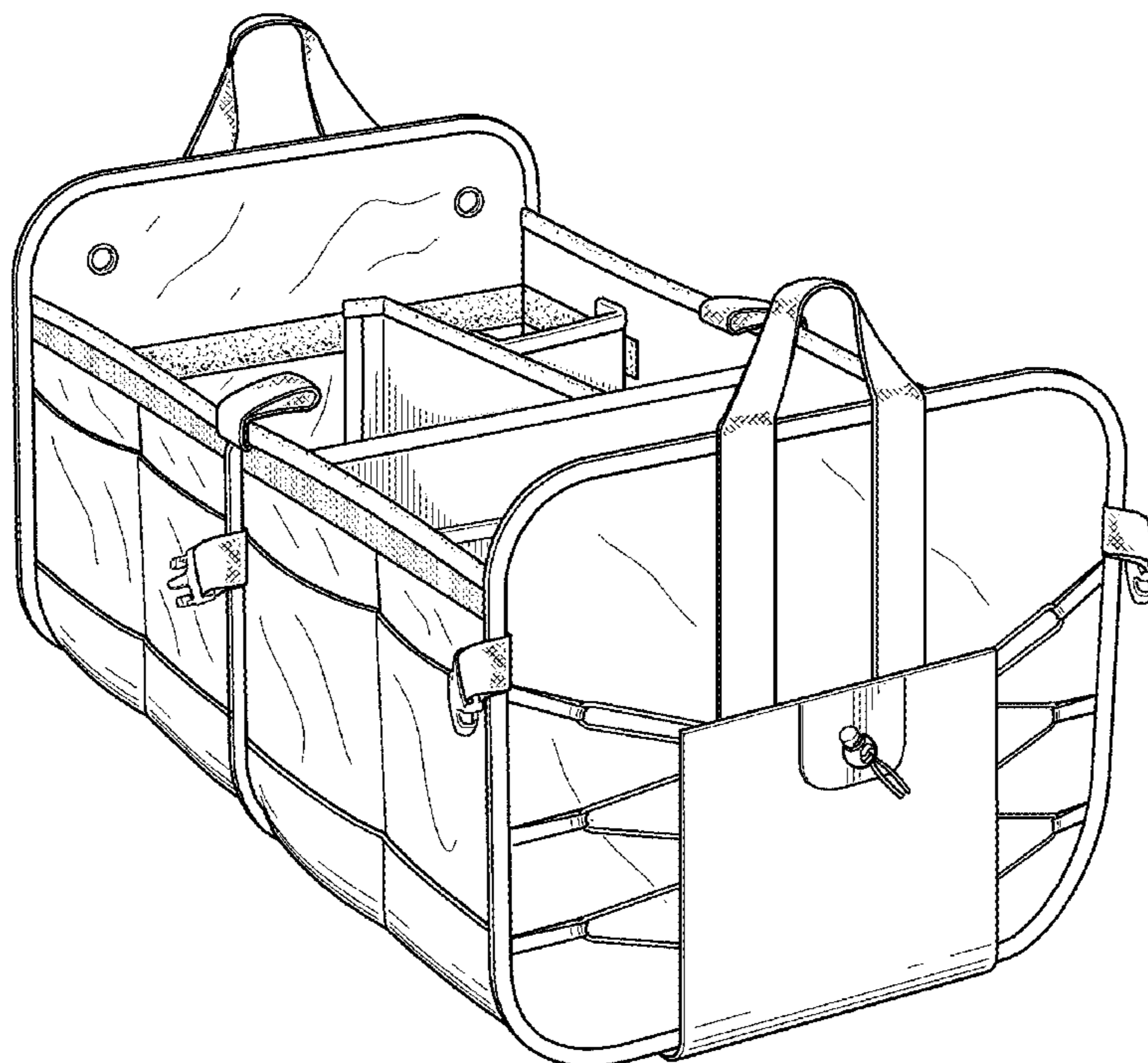
FIG. 11 is a top plan view thereof; and,

FIG. 12 is a bottom plan view thereof.

Any broken lines that are present have been included for the purpose of illustrating environmental structure(s) that form no part of the claimed design.

Any shaded rectangular tape, in FIGS. 1, 4, 5, 6, 8, 9, and 10, represents hook and pile tape.

1 Claim, 7 Drawing Sheets



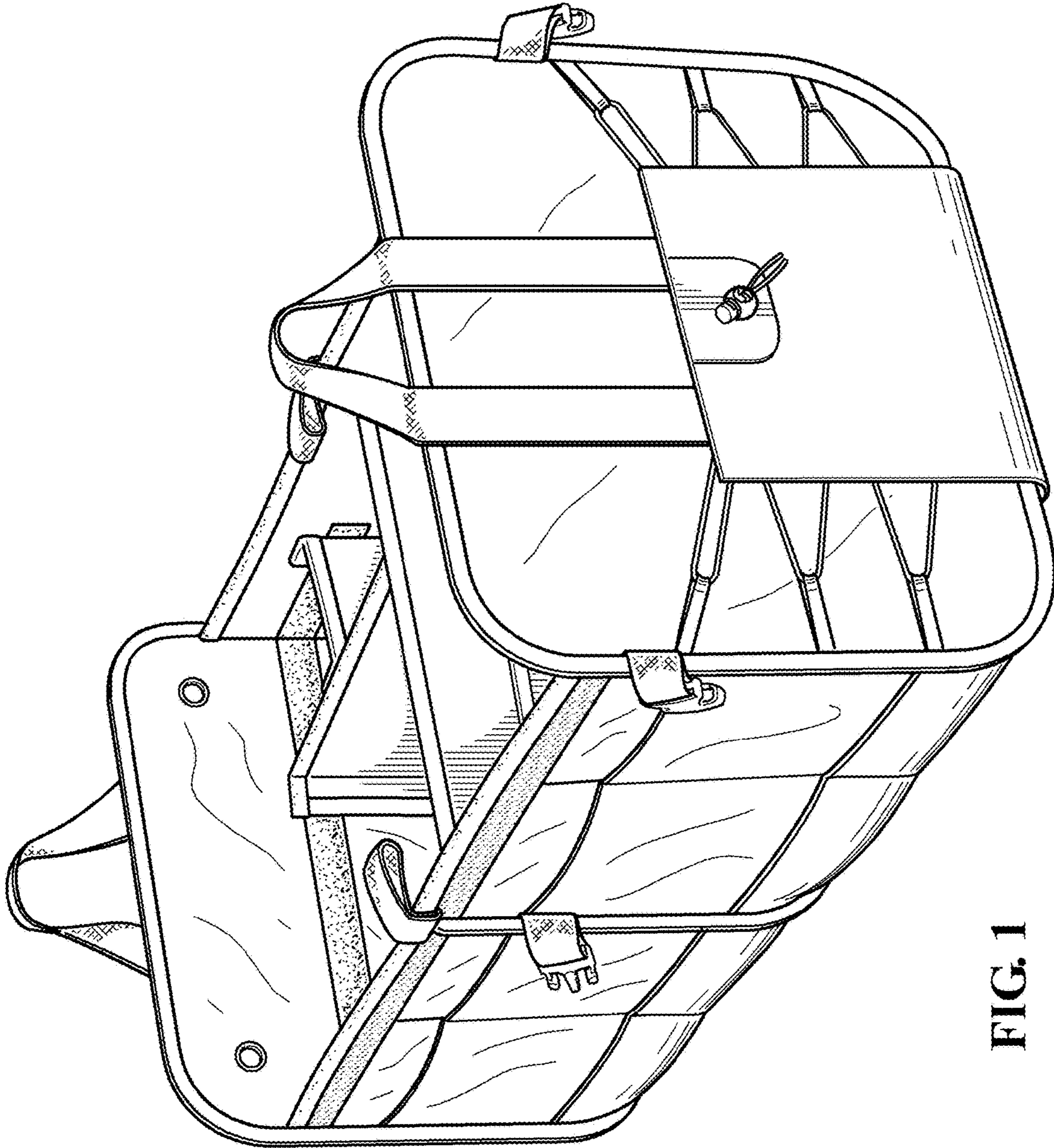


FIG. 1

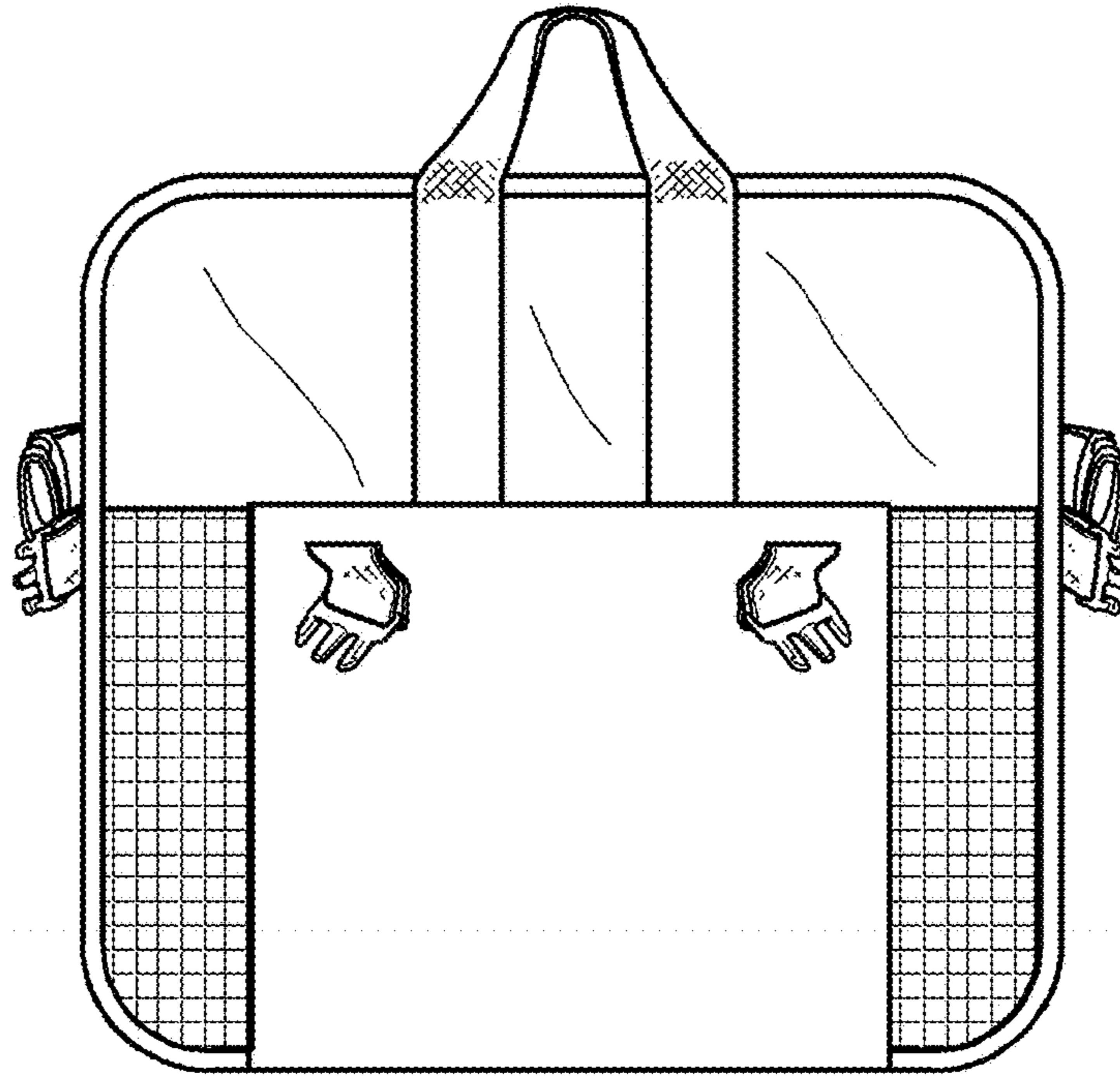


FIG. 2

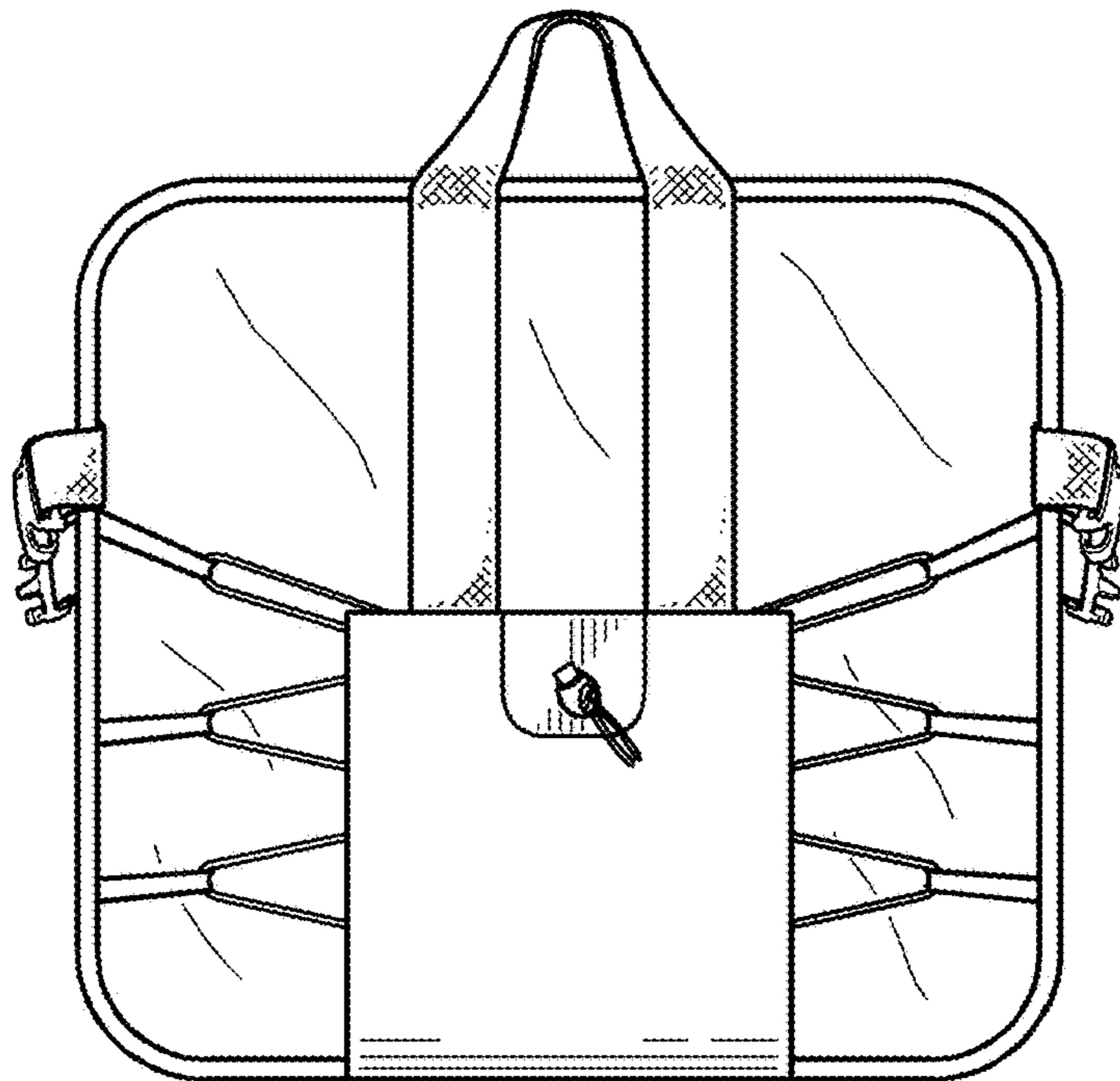


FIG. 3

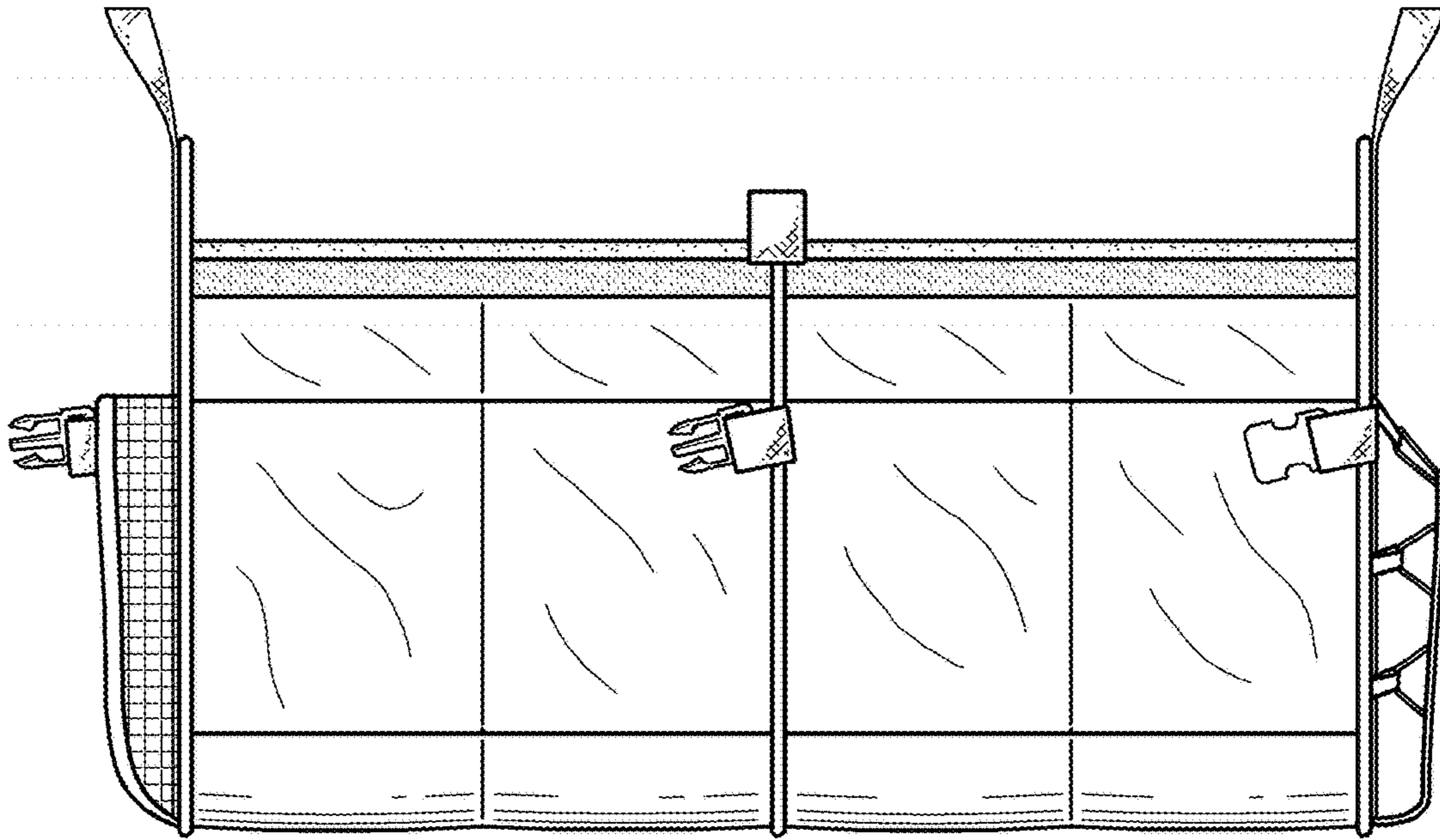


FIG. 4

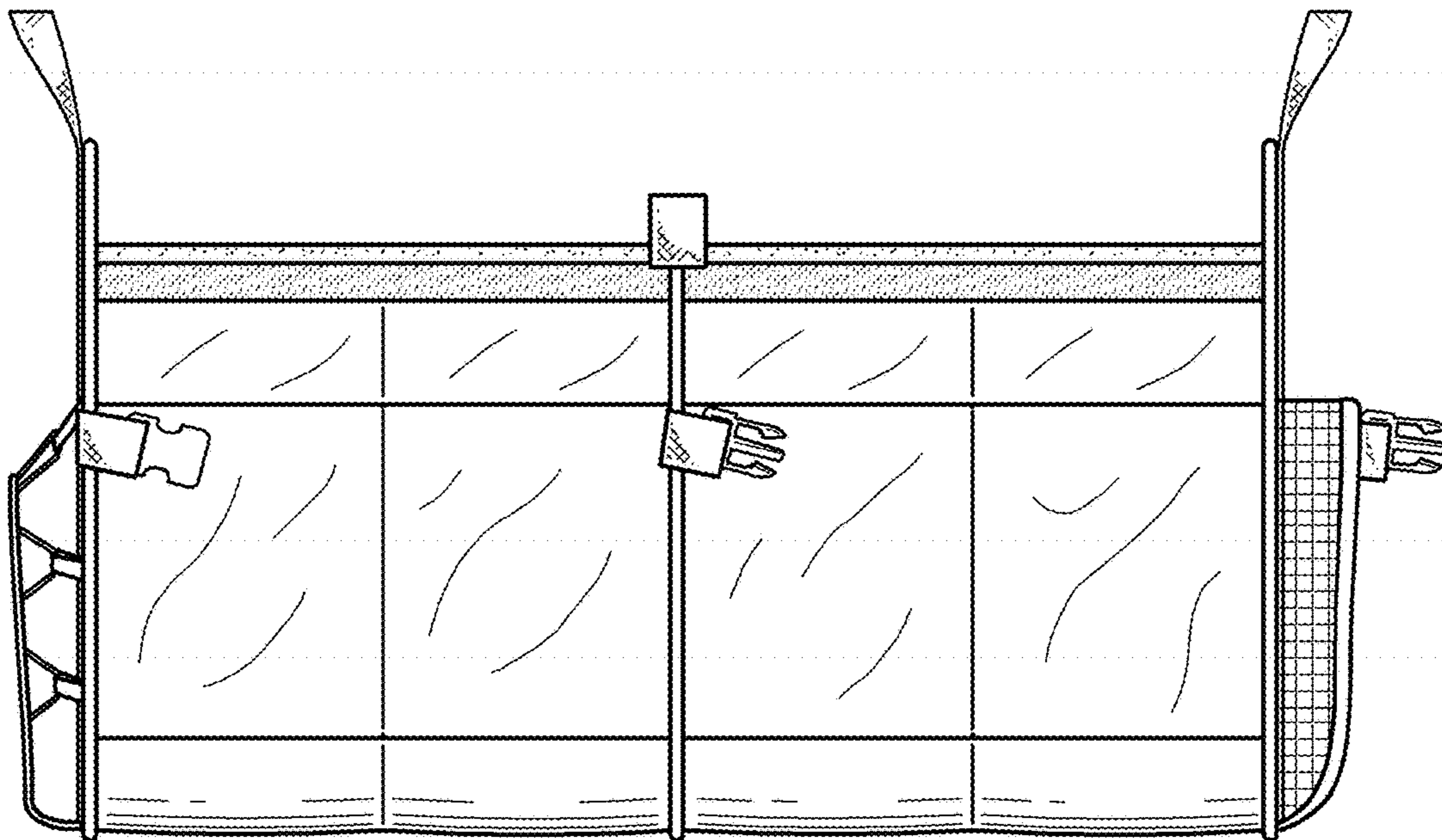


FIG. 5

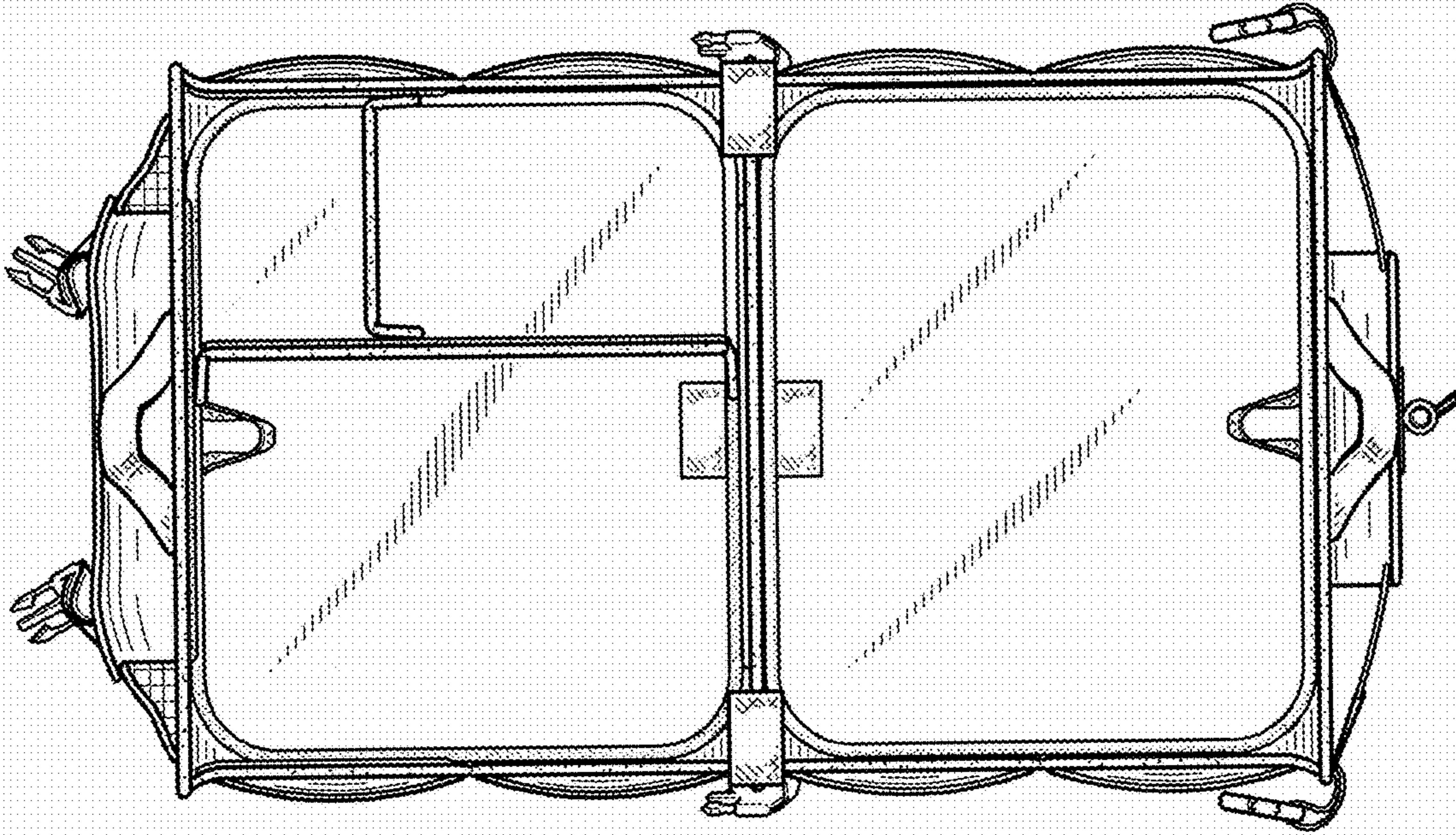


FIG. 6

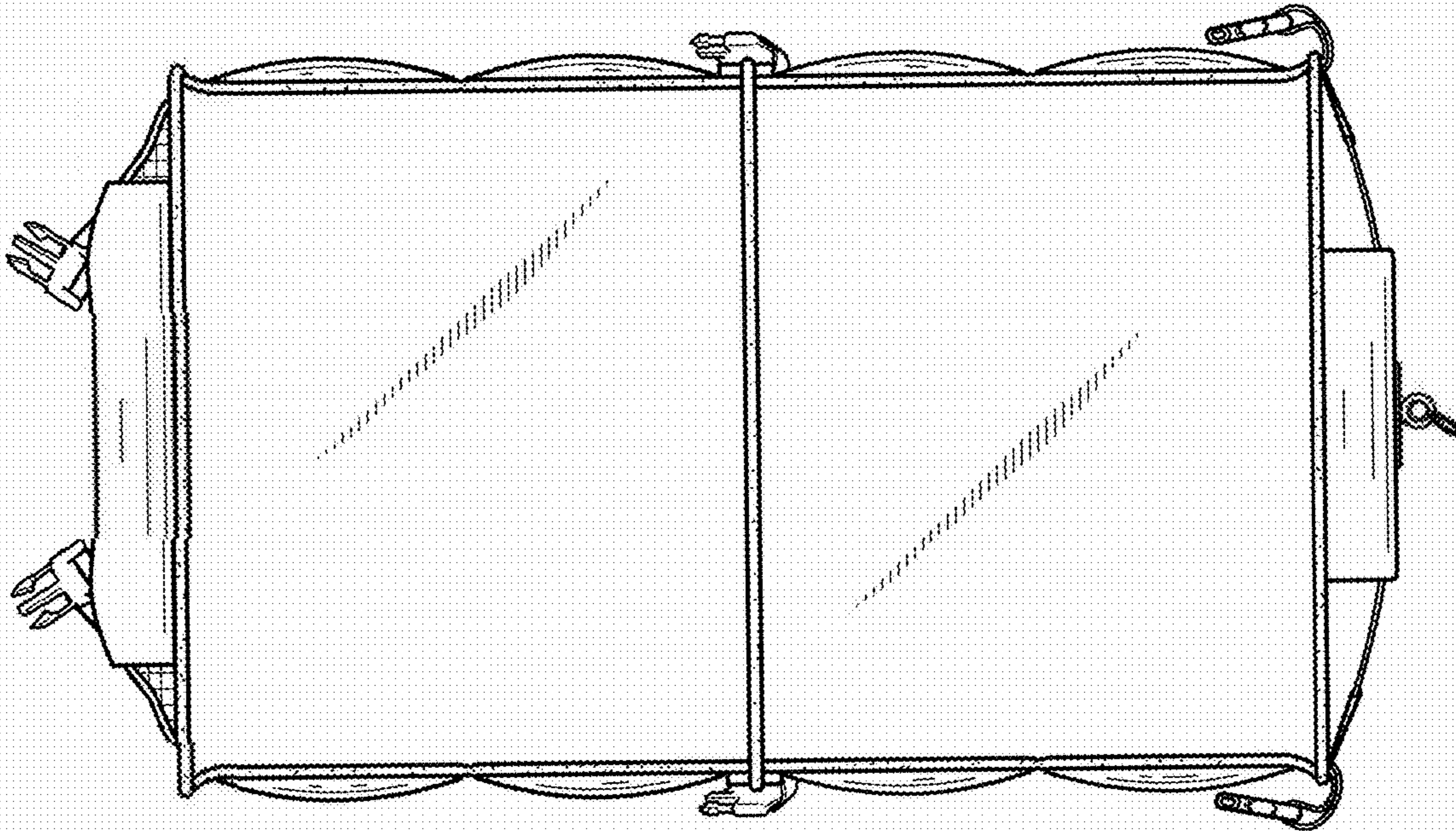


FIG. 7

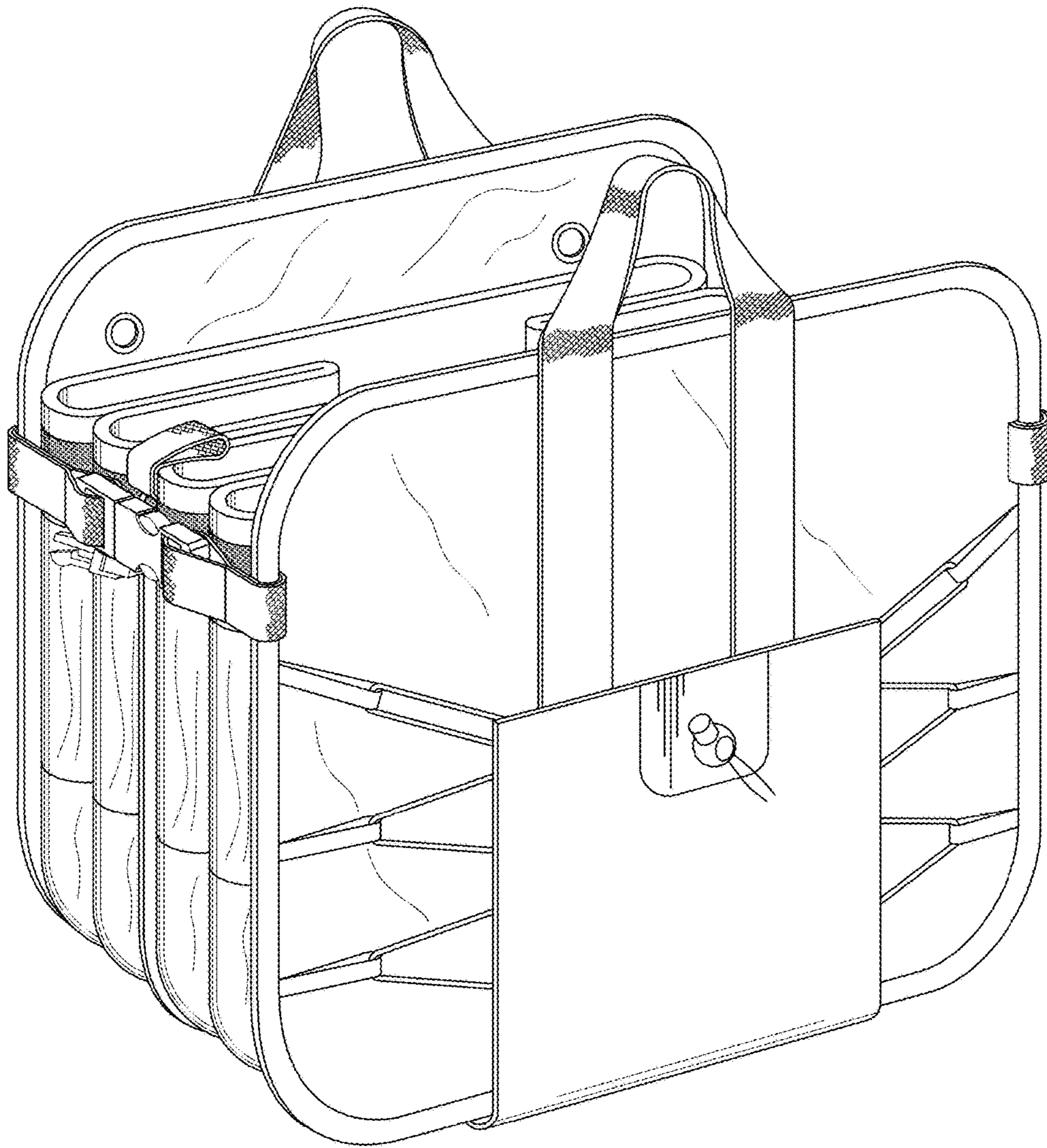


FIG. 8

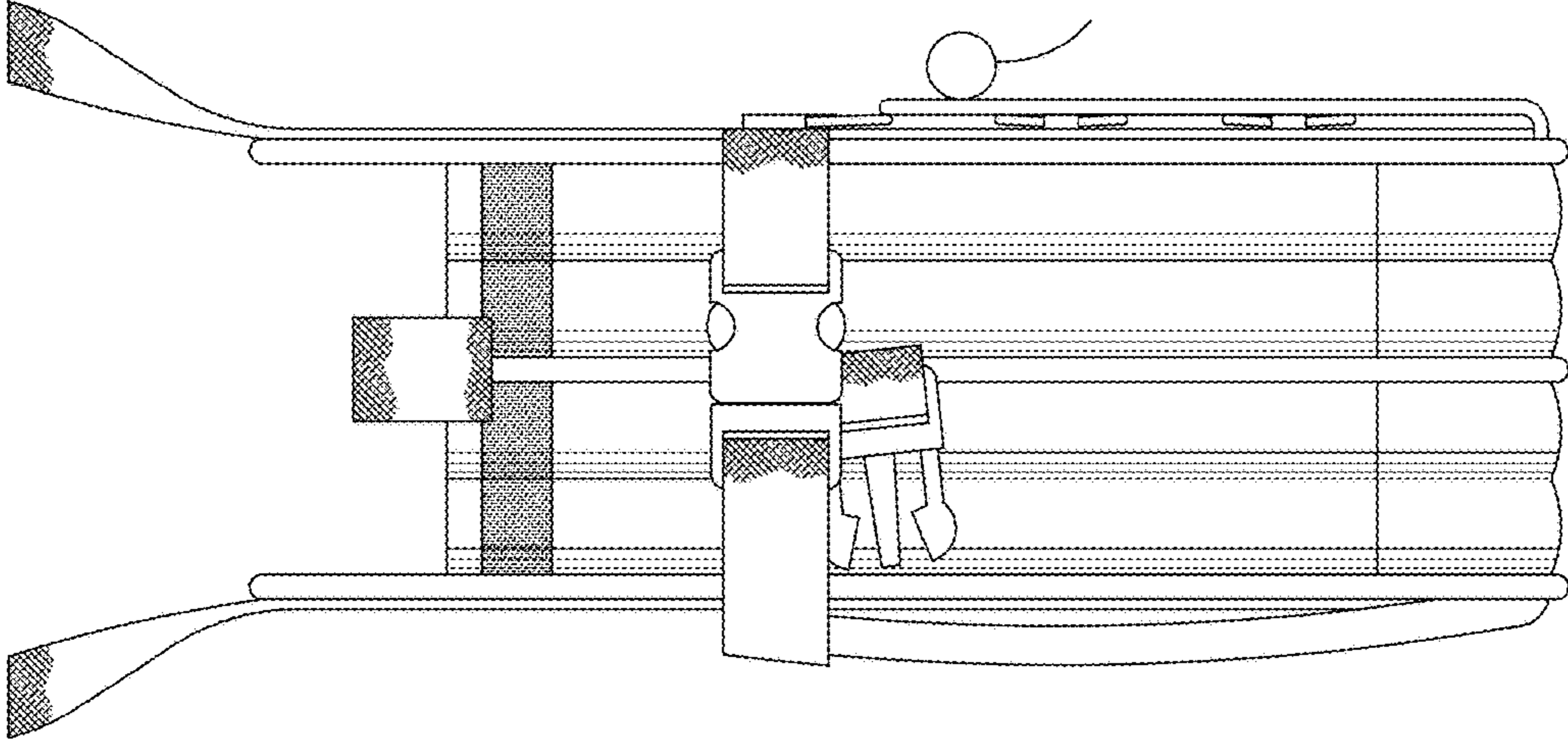


FIG. 9

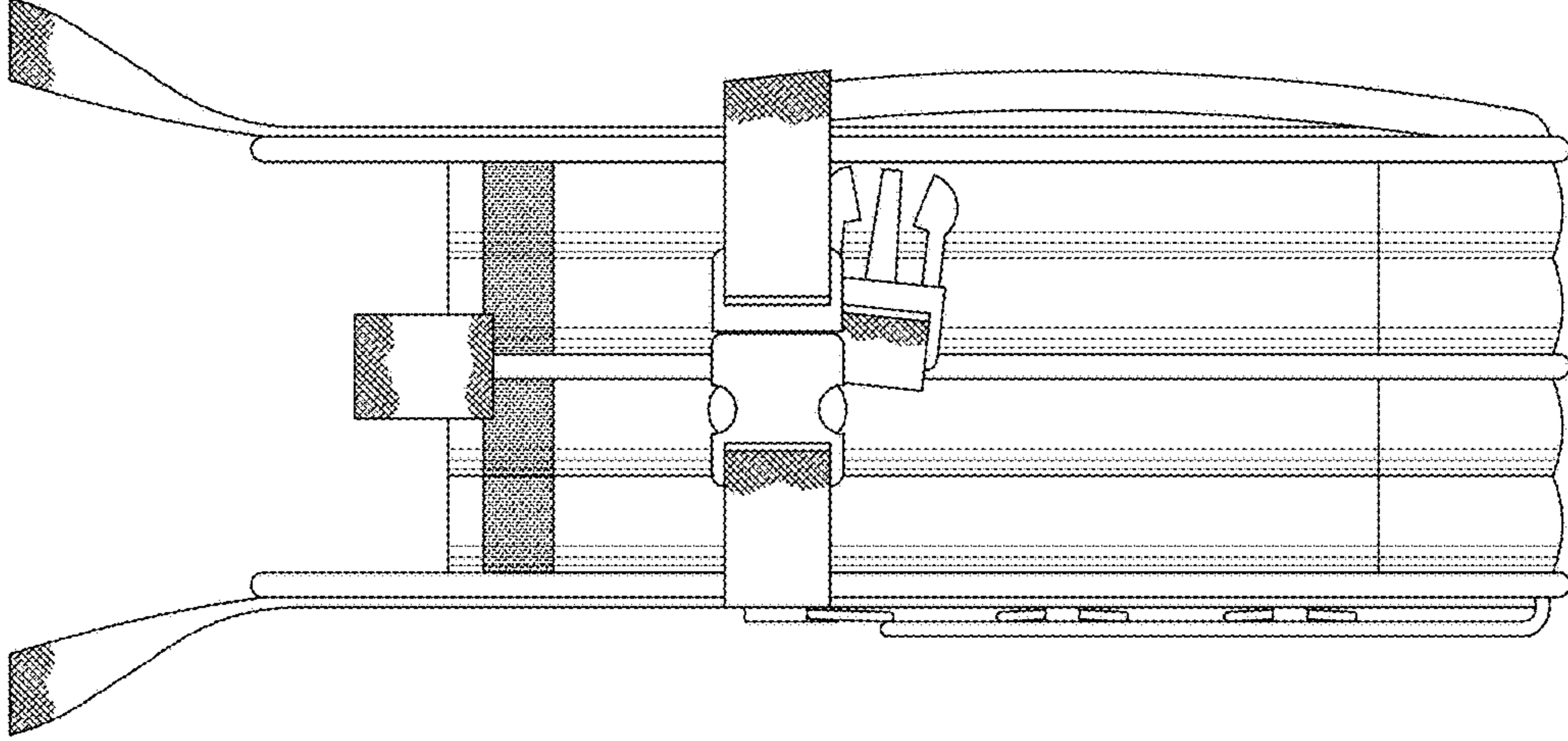


FIG. 10

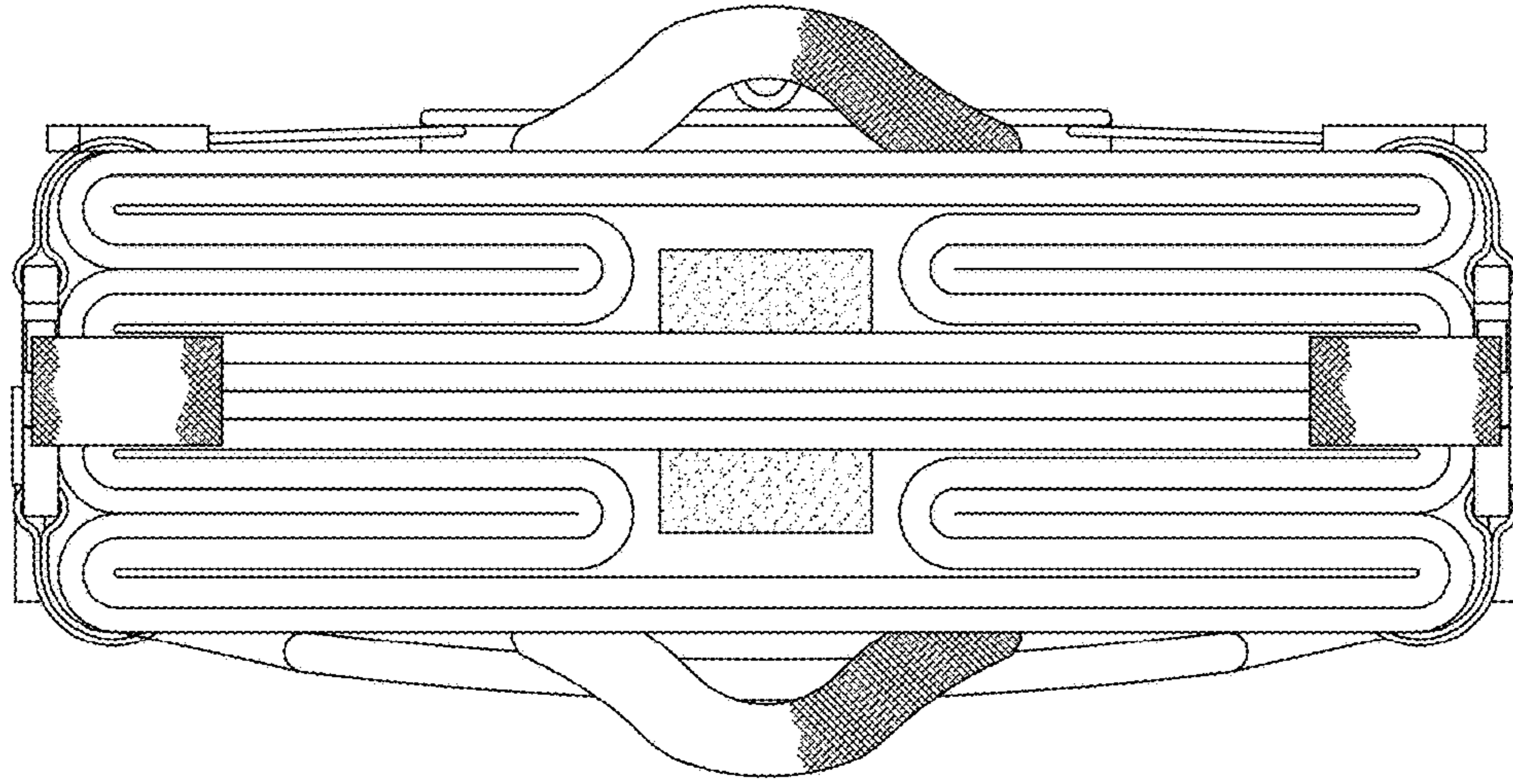


FIG. 11

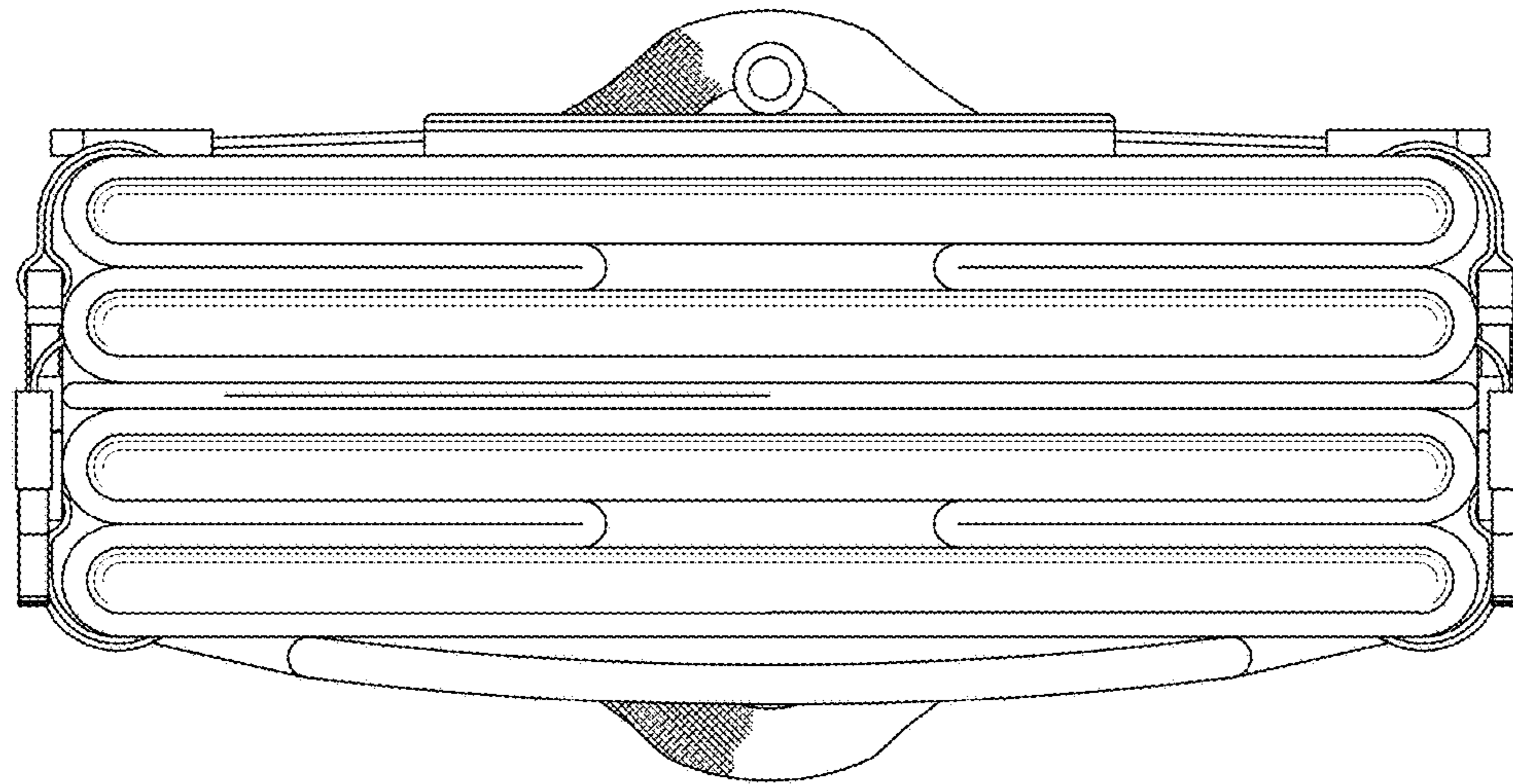


FIG. 12