



US00D851934S

(12) **United States Design Patent**
Parcells et al.

(10) **Patent No.:** **US D851,934 S**
(45) **Date of Patent:** **** Jun. 25, 2019**

- (54) **STORAGE CADDY**
- (71) Applicant: **Polder Products, LLC**, Oxford, CT (US)
- (72) Inventors: **William Parcells**, Princeton, NJ (US); **Yuka Midorikawa-Haelters**, Langhorne, PA (US); **Robert Van Varick**, Yardley, PA (US); **Donald Strum**, Princeton, NJ (US)
- (73) Assignee: **POLDER PRODUCTS, LLC**, Oxford, CT (US)
- (**) Term: **15 Years**
- (21) Appl. No.: **29/639,838**
- (22) Filed: **Mar. 9, 2018**
- (51) **LOC (11) Cl.** **03-01**
- (52) **U.S. Cl.**
USPC **D3/307**
- (58) **Field of Classification Search**
USPC D3/304, 307, 310, 313, 315, 328;
D6/672, 673, 678, 682, 683, 683.1;
D7/550.1, 552.1, 553.1, 555
CPC ... B65D 1/34; B65D 1/36; B65D 5/00; A47G
29/00
See application file for complete search history.

6,894,232	B2 *	5/2005	Waggoner	G01G 19/52 177/160
D530,121	S *	10/2006	Snell	D6/525
D552,901	S *	10/2007	Wilfong, Jr.	D6/515
D640,485	S *	6/2011	Dugger	D6/681.1
D650,209	S *	12/2011	Snider	D6/513
D660,625	S *	5/2012	Garner	D6/520
D751,763	S *	3/2016	Goodman	D26/38
D795,584	S *	8/2017	Walker, Jr.	D3/307
D796,771	S *	9/2017	Bacallao	D34/27
D797,451	S *	9/2017	Levy	D3/304
D798,056	S *	9/2017	Aylward	D3/307
D803,032	S *	11/2017	Jammehdiabadi	D8/356
D838,980	S *	1/2019	Wilson	D3/306
D840,709	S *	2/2019	Zemel	D6/519
2010/0096514	A1 *	4/2010	Adair	B65B 67/1227 248/100
2013/0092804	A1 *	4/2013	Laitila	B65B 67/1227 248/97

* cited by examiner

Primary Examiner — Kelley A Donnelly
(74) *Attorney, Agent, or Firm* — Duane Morris LLP

(57) **CLAIM**

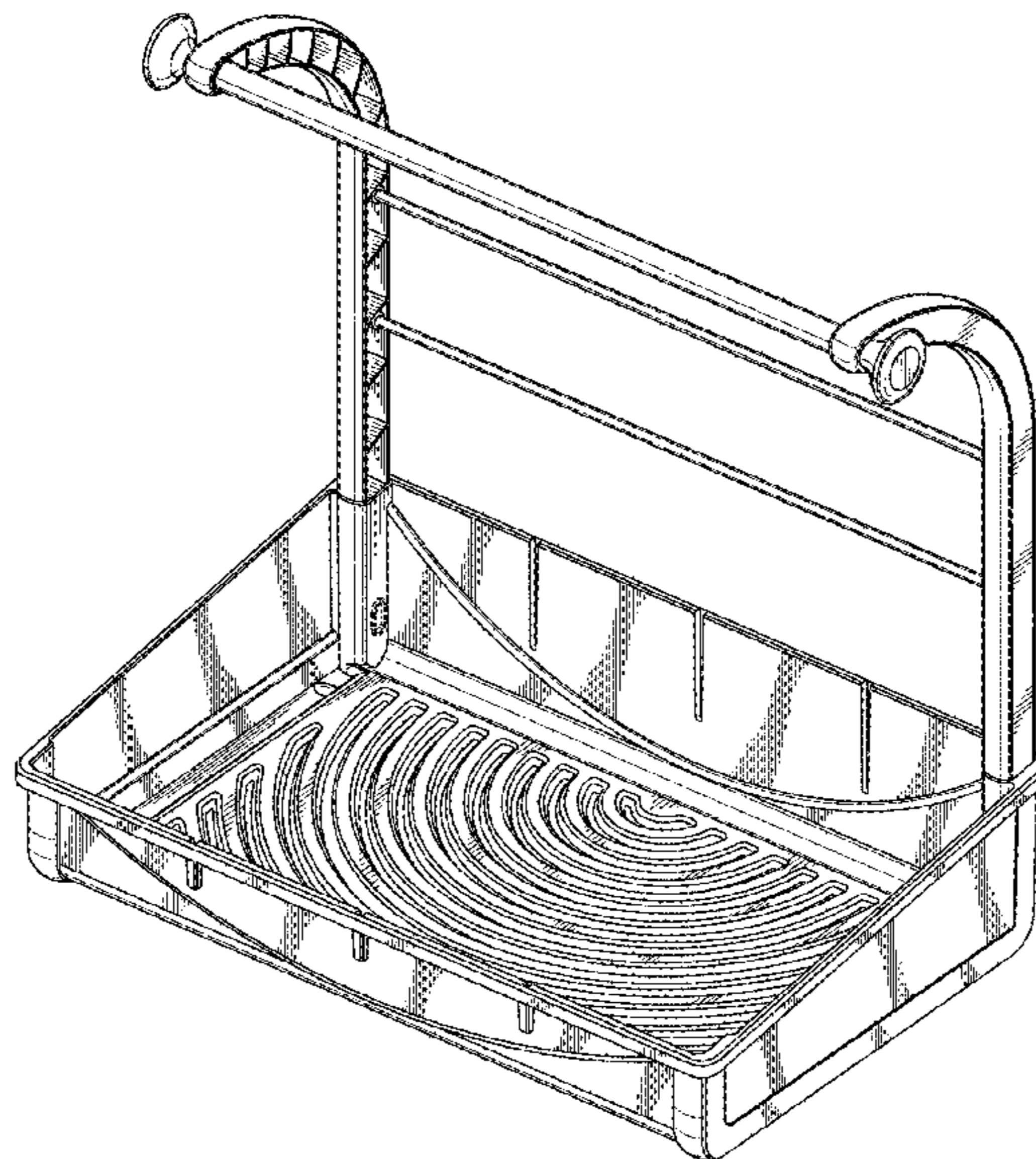
The ornamental design for a storage caddy, as shown in the figures.

DESCRIPTION

FIG. 1 is an isometric view of the storage caddy; FIG. 2 is a front side view of the storage caddy; FIG. 3 is a rear side view of the storage caddy; FIG. 4 is a top side view of the storage caddy; FIG. 5 is a bottom side view of the storage caddy; FIG. 6 is a side view of the storage caddy; and, FIG. 7 is a side view of the storage caddy from the opposite side of the side view shown in FIG. 6.

1 Claim, 7 Drawing Sheets

- (56) **References Cited**
U.S. PATENT DOCUMENTS
D264,651 S * 6/1982 Adamson D34/6
D302,062 S * 7/1989 Sable D34/5
D423,841 S * 5/2000 Kerr D34/5
6,086,023 A * 7/2000 Kerr B65B 67/1227
248/100



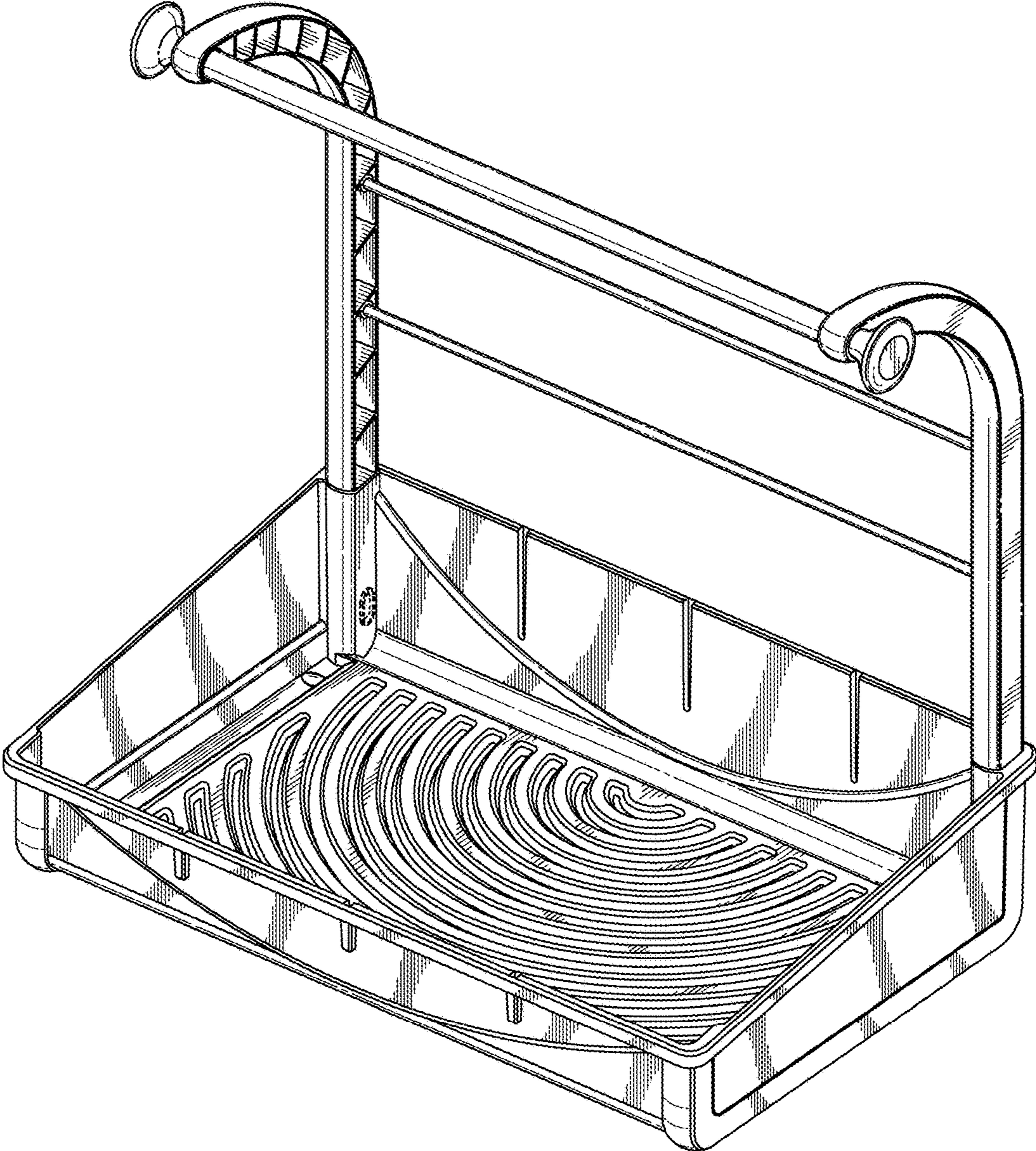


FIG. 1

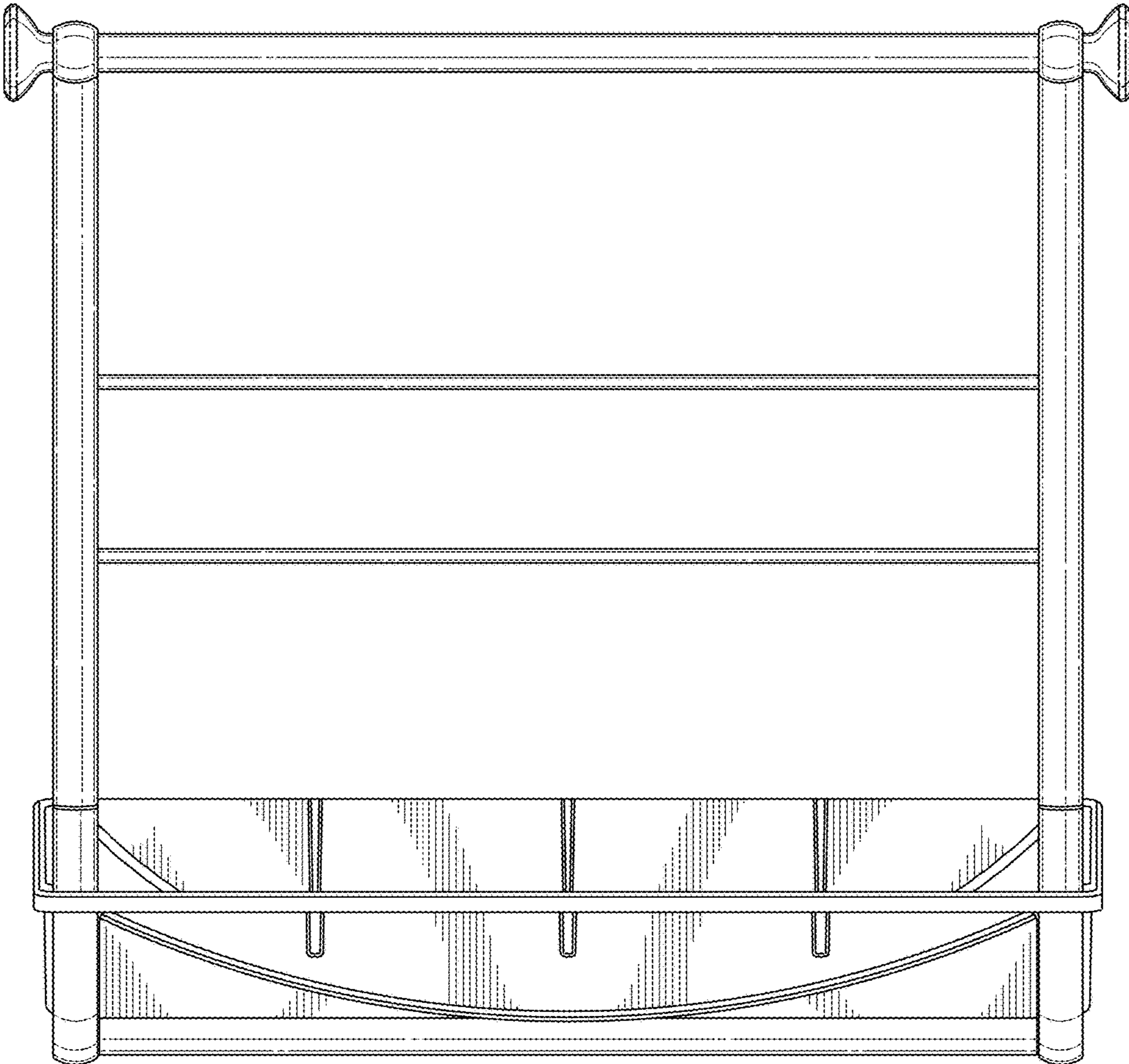


FIG. 2

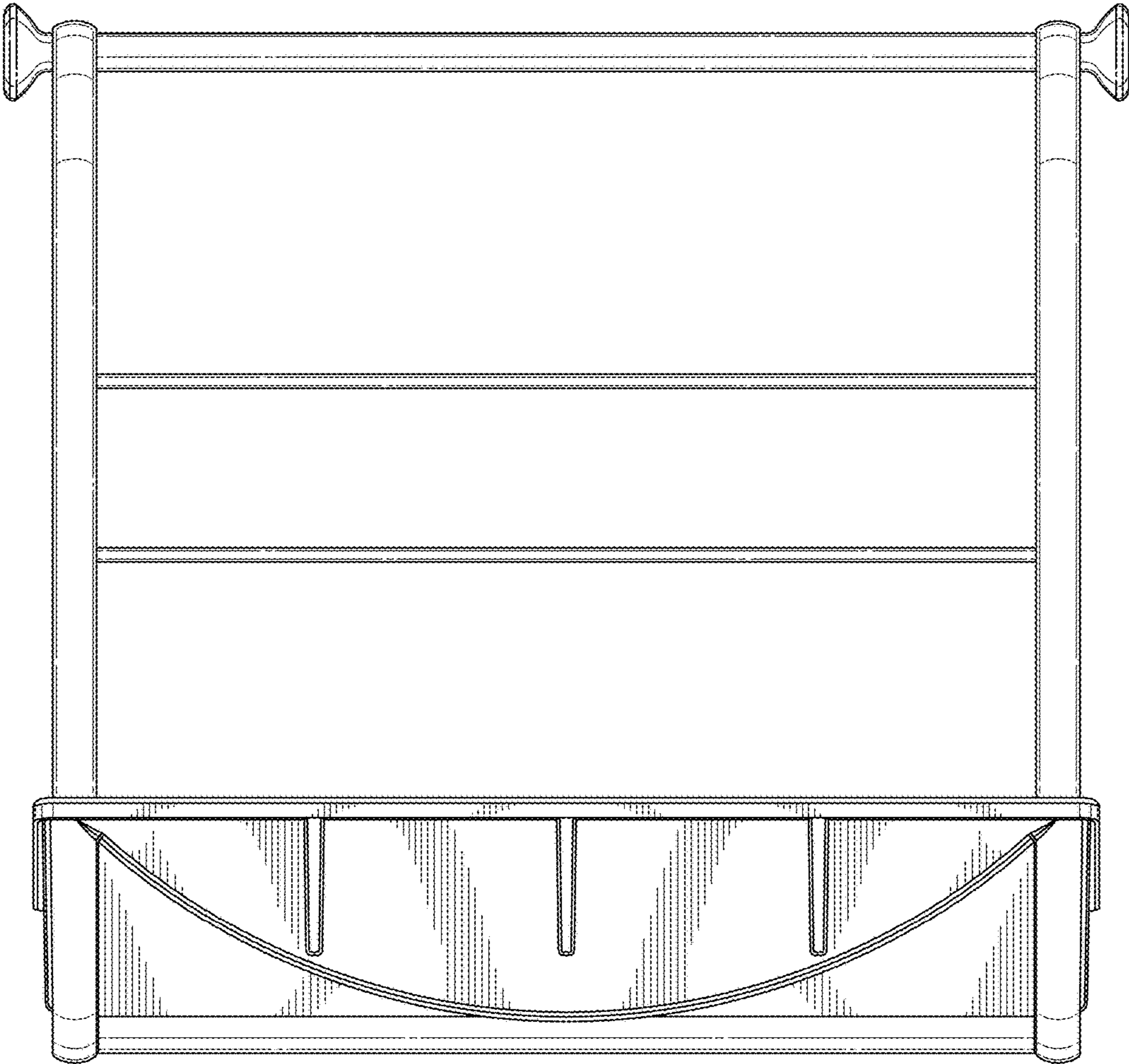


FIG. 3

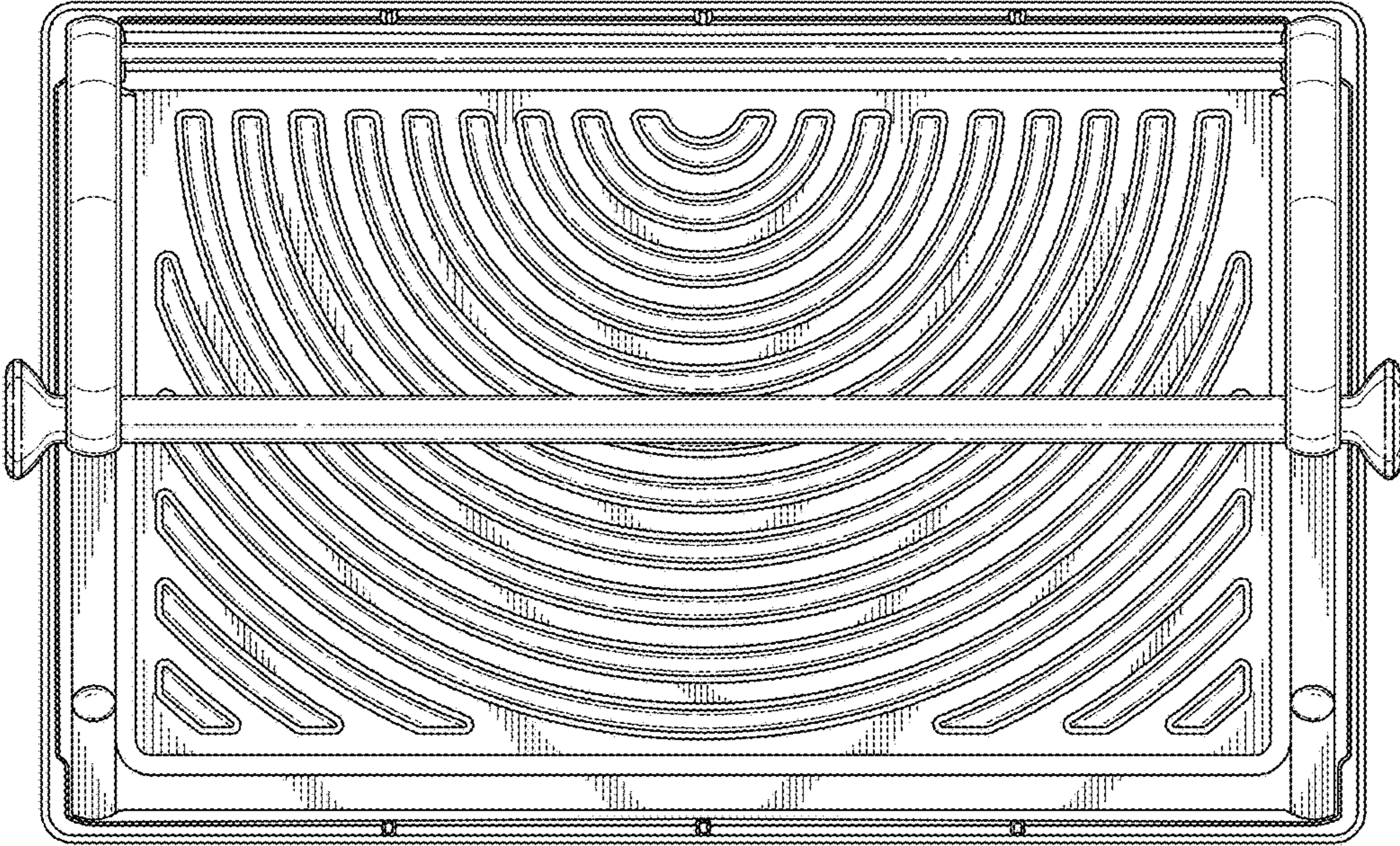


FIG. 4

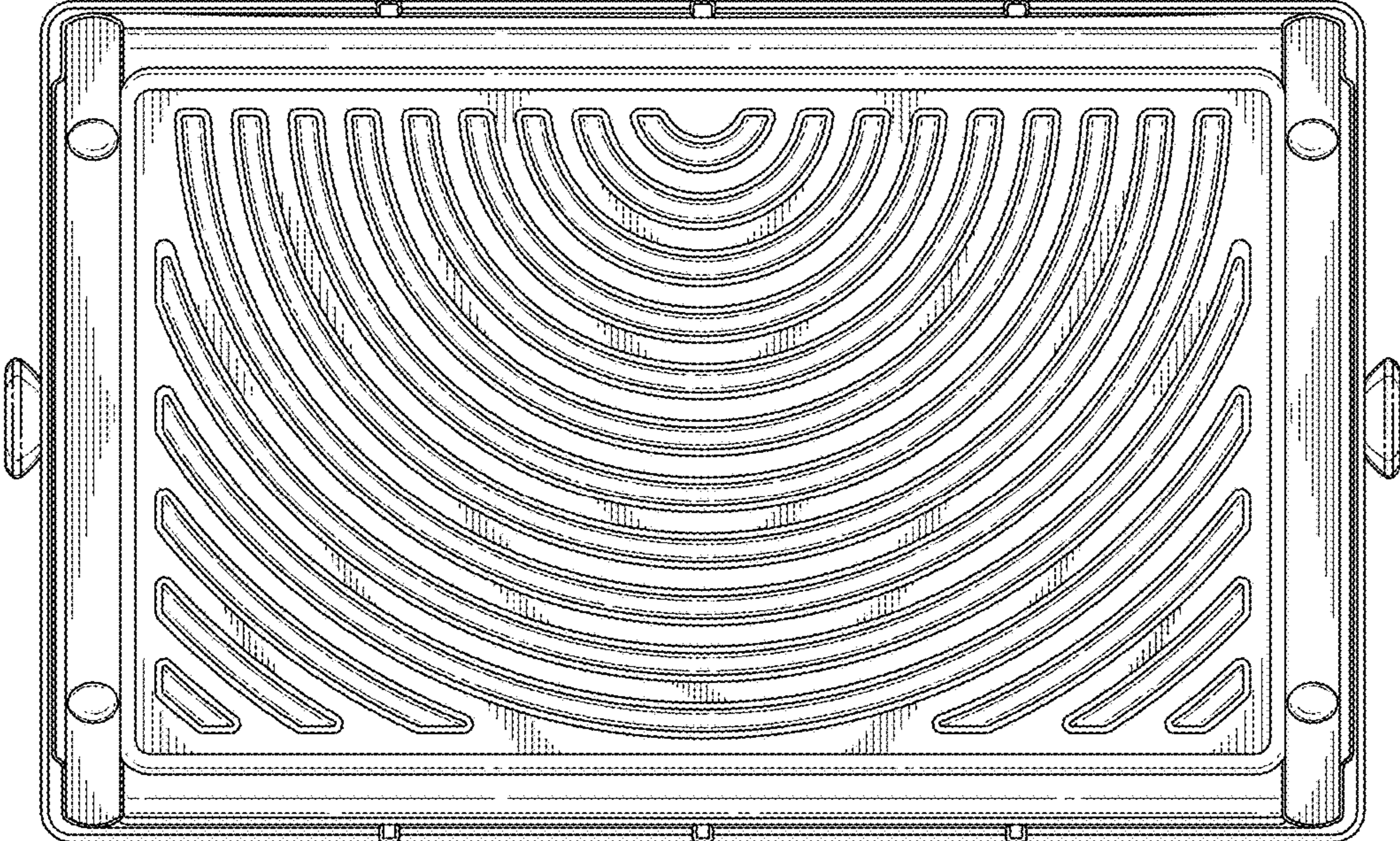


FIG. 5

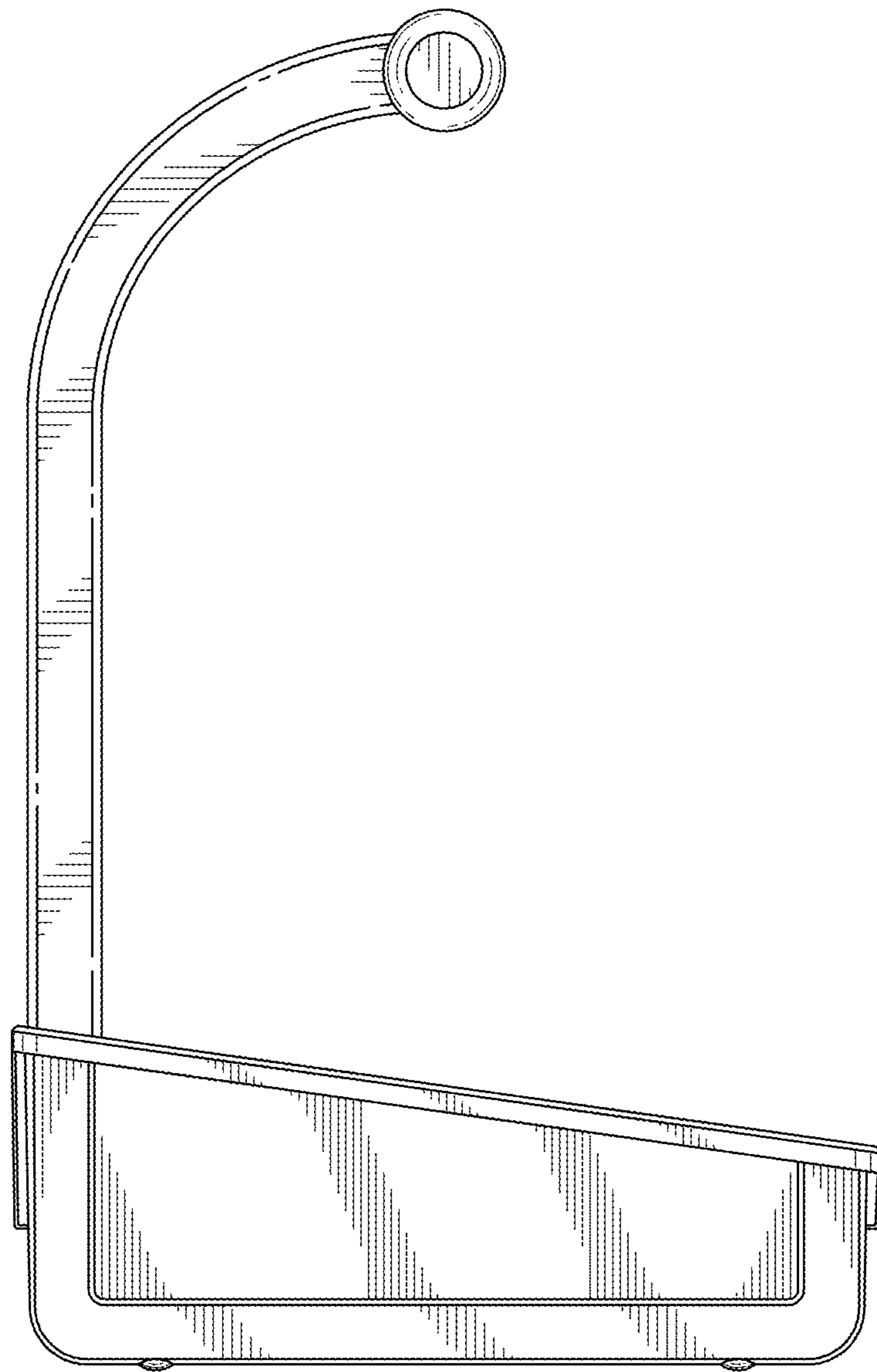


FIG. 6

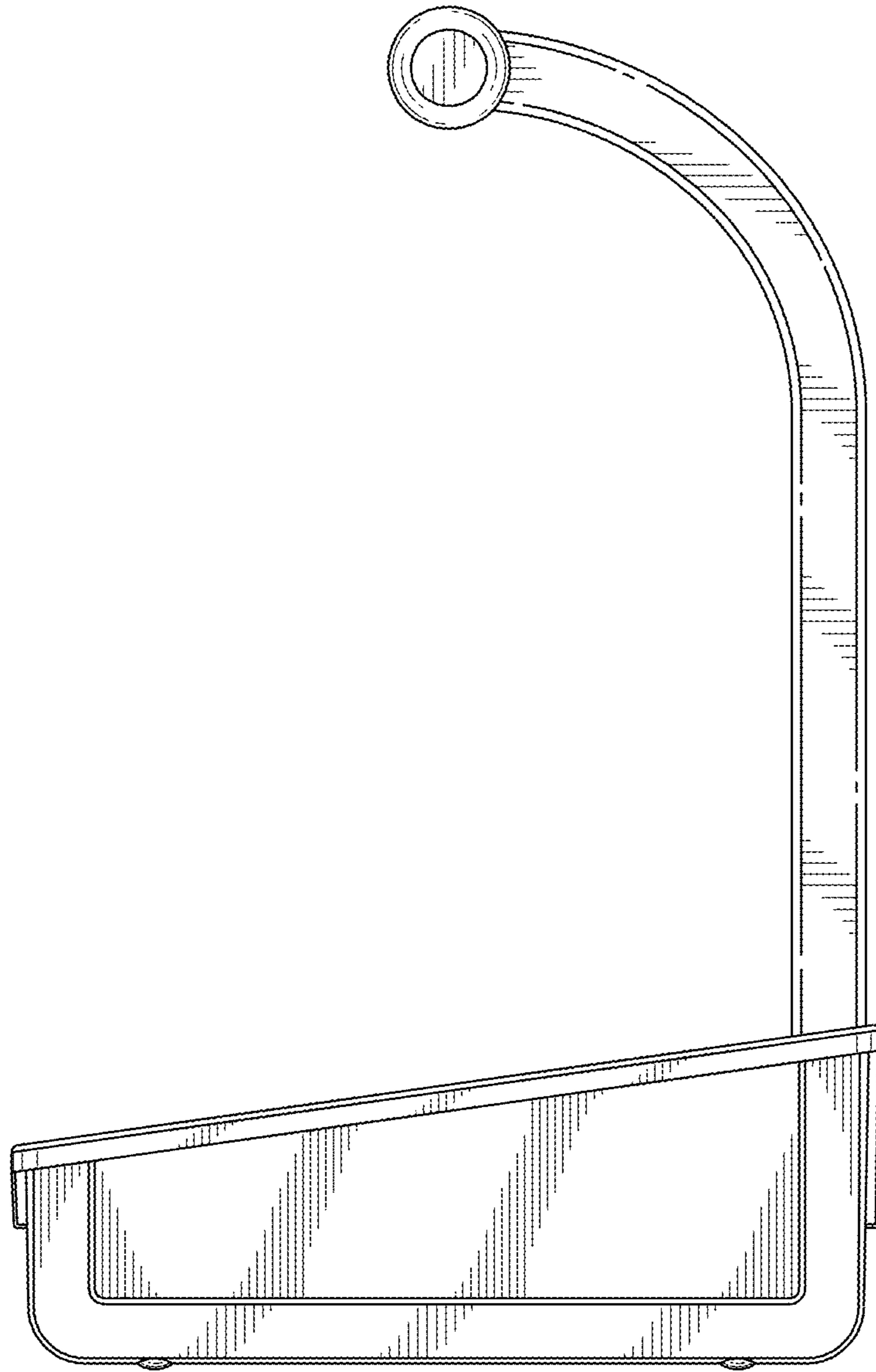


FIG. 7