



US00D851933S

(12) **United States Design Patent**  
**Hsu**

(10) **Patent No.:** **US D851,933 S**  
(45) **Date of Patent:** **\*\* Jun. 25, 2019**

(54) **CONTAINER**

(71) Applicant: **L&F PLASTICS, CO., LTD.**, Miaoli County (TW)

(72) Inventor: **Mu-Chuan Hsu**, Miaoli County (TW)

(73) Assignee: **L&F Plastics Co., Ltd.**, Miaoli County (TW)

(\*\*) Term: **15 Years**

(21) Appl. No.: **29/580,145**

(22) Filed: **Oct. 6, 2016**

(30) **Foreign Application Priority Data**

Apr. 15, 2016 (TW) ..... 105302003  
Apr. 15, 2016 (TW) ..... 105302003 D01

(51) **LOC (11) Cl.** ..... **03-01**

(52) **U.S. Cl.**  
USPC ..... **D3/294**

(58) **Field of Classification Search**  
USPC ..... D3/232, 239, 240, 242, 271.1, 294;  
D7/710

CPC ..... A47C 7/62; A47C 1/14  
See application file for complete search history.

(56) **References Cited**

**U.S. PATENT DOCUMENTS**

D311,799 S \* 10/1990 Embree ..... D3/294  
D330,328 S \* 10/1992 DiSesa, Jr. .... D3/294  
D334,453 S \* 3/1993 Koloski ..... D3/294  
D336,243 S \* 6/1993 Evans ..... D3/294  
D429,882 S \* 8/2000 Lee ..... D3/294

D478,811 S \* 8/2003 Huang ..... D3/294  
D515,313 S \* 2/2006 Uffner ..... D3/273  
D676,238 S \* 2/2013 Wu ..... D3/294  
D778,608 S \* 2/2017 Hsu ..... D3/294

\* cited by examiner

*Primary Examiner* — Holly E Thurman

(74) *Attorney, Agent, or Firm* — Alan D. Kamrath;  
Kamrath IP Lawfirm, P.A.

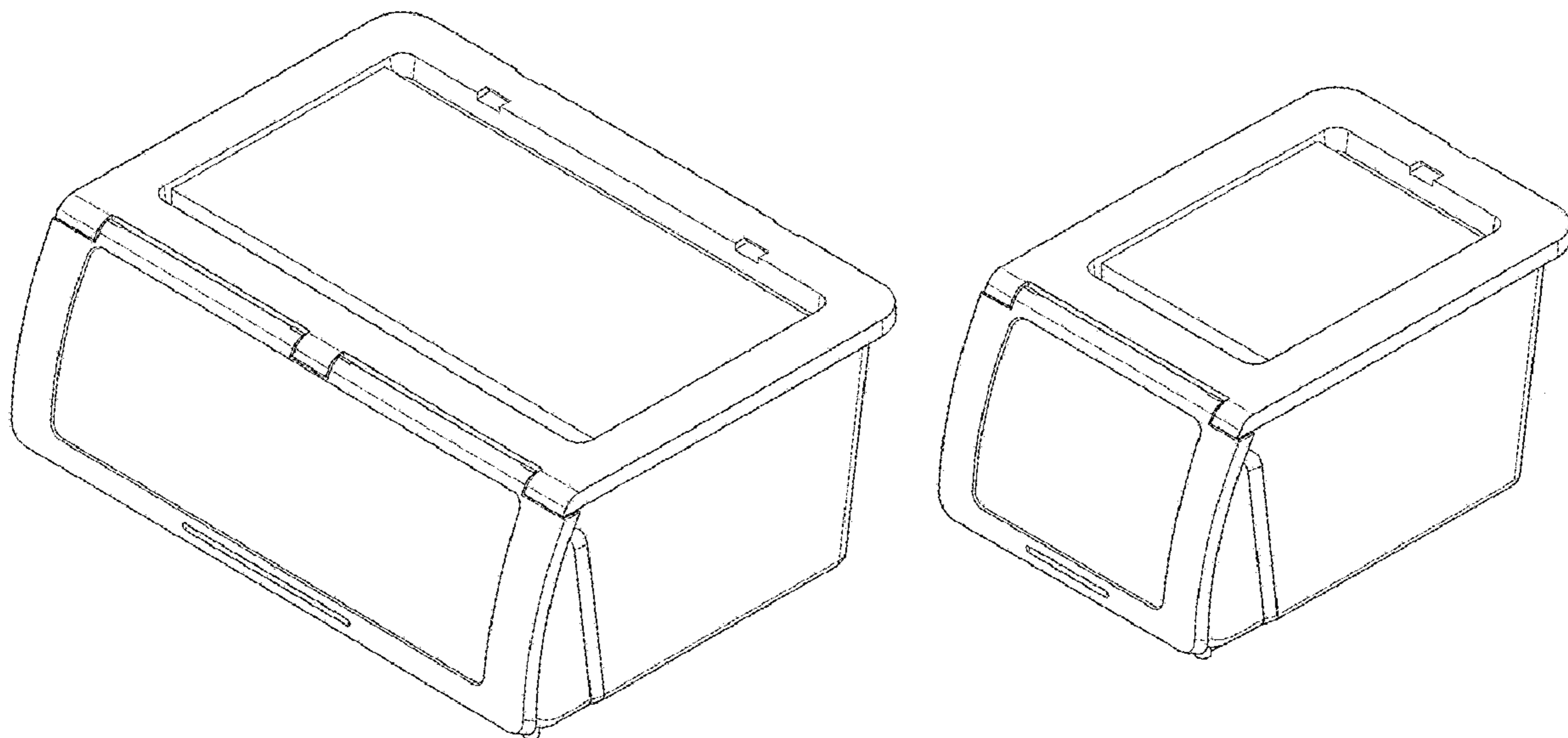
(57) **CLAIM**

The ornamental design for a container, as shown and described.

**DESCRIPTION**

FIG. 1 is a perspective view of a container showing my new design;  
FIG. 2 is a front view thereof;  
FIG. 3 is a rear view thereof;  
FIG. 4 is a left view thereof;  
FIG. 5 is a right view thereof;  
FIG. 6 is a top plan view thereof;  
FIG. 7 is a bottom plan view thereof;  
FIG. 8 is a perspective view of the container of FIG. 1 with a smaller size;  
FIG. 9 is a front view of the container of FIG. 8;  
FIG. 10 is a rear view of the container of FIG. 8;  
FIG. 11 is a left view of the container of FIG. 8;  
FIG. 12 is a right view of the container of FIG. 8;  
FIG. 13 is a top plan view of the container of FIG. 8; and,  
FIG. 14 is a bottom plan view of the container of FIG. 8.  
The broken lines in the figures depict portions of the container which form no part of the claimed design.

**1 Claim, 10 Drawing Sheets**



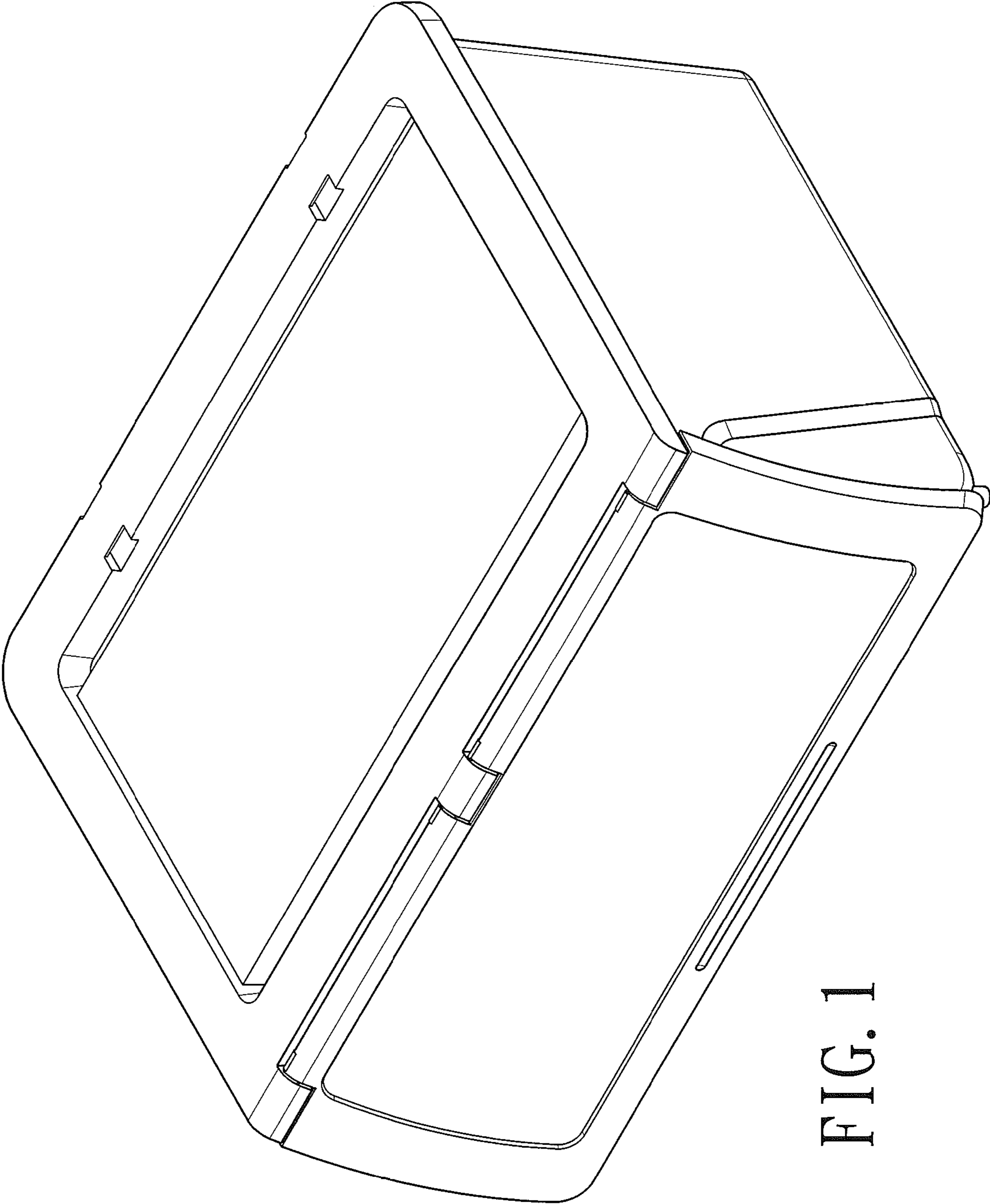


FIG. 1

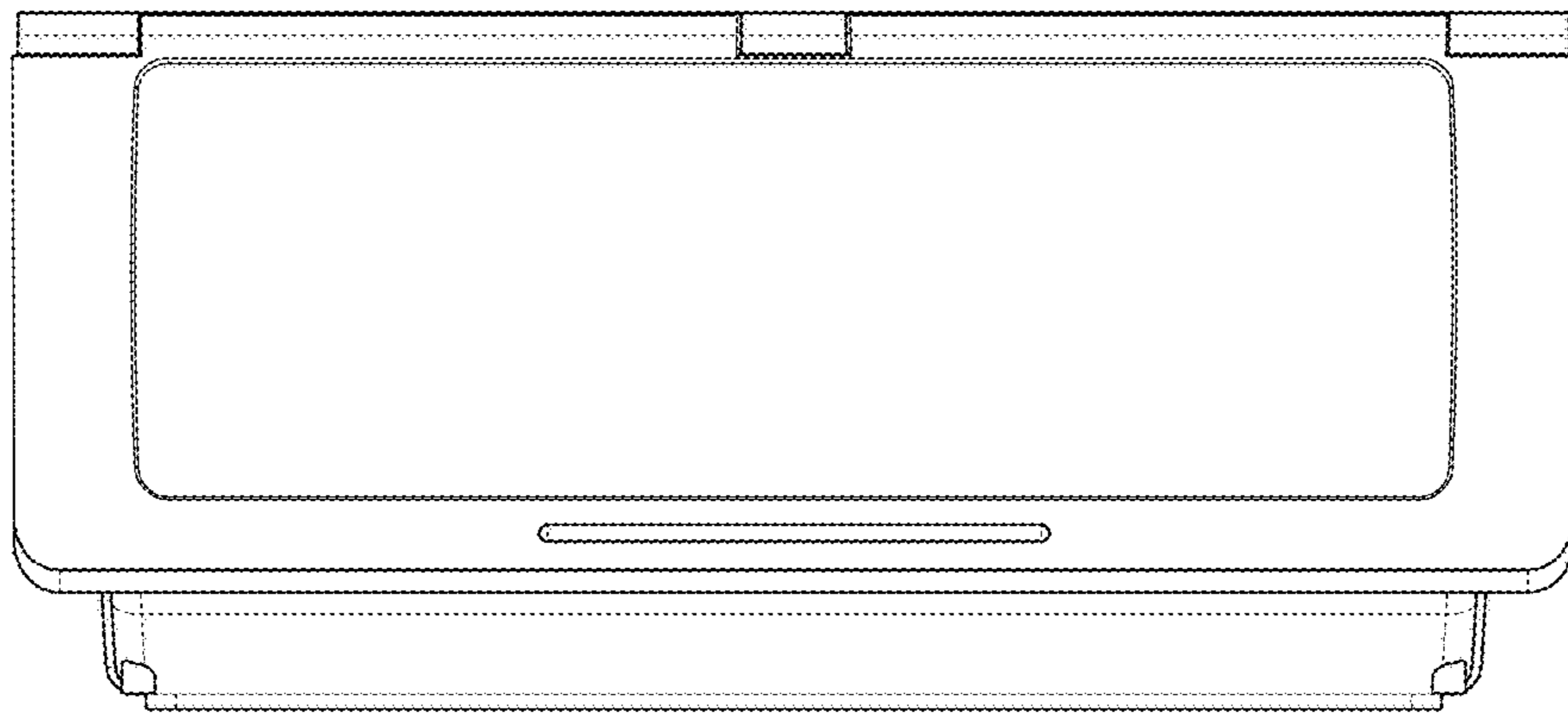


FIG. 2

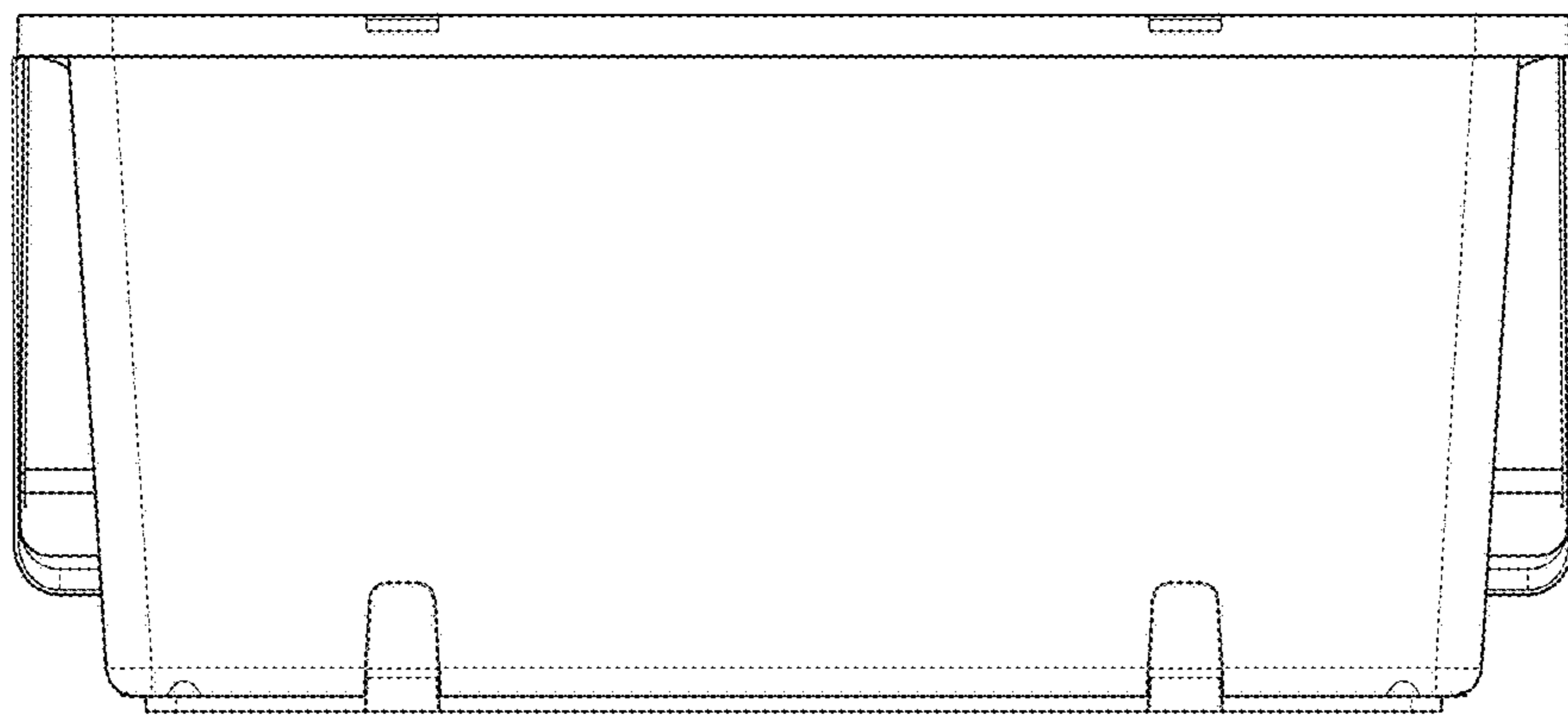


FIG. 3

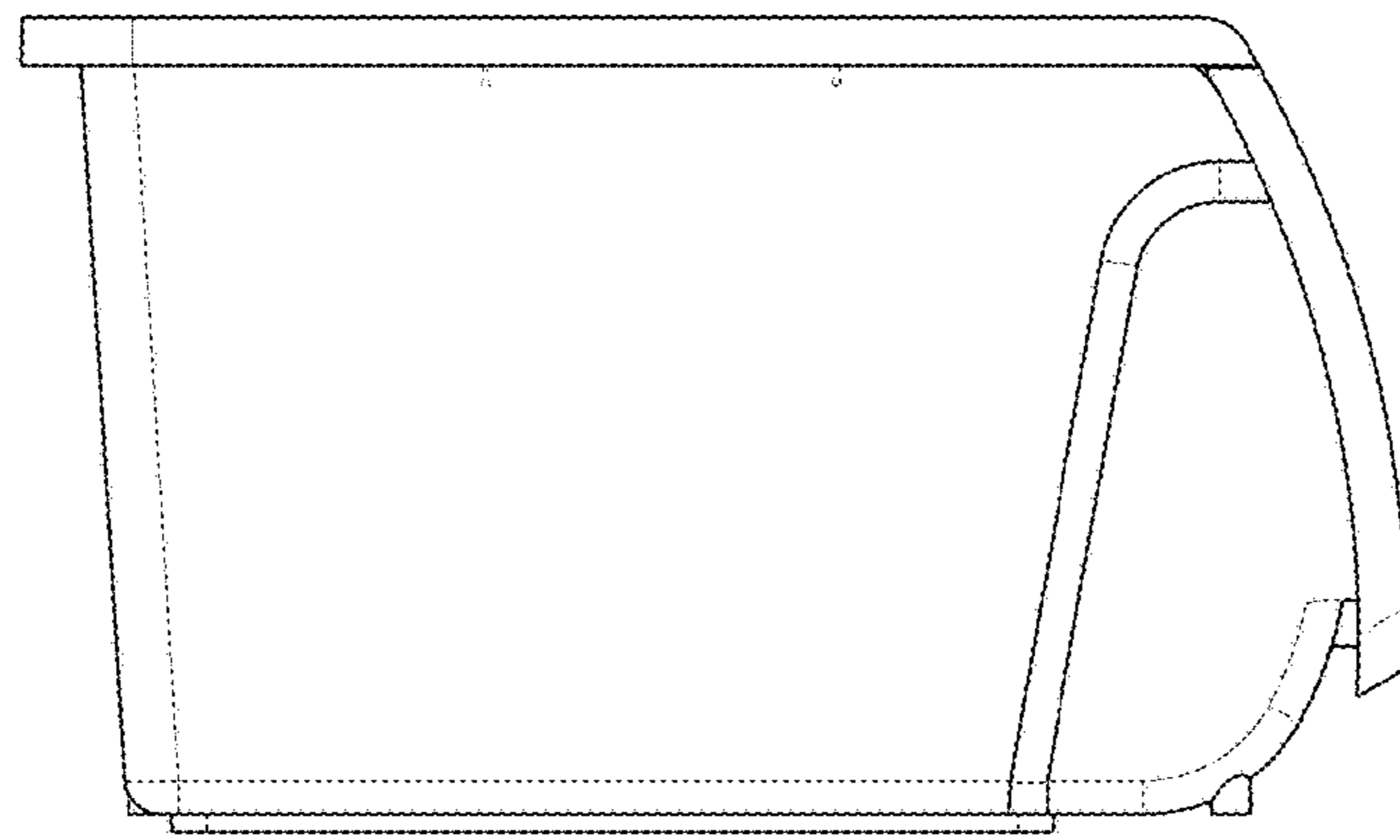


FIG. 4

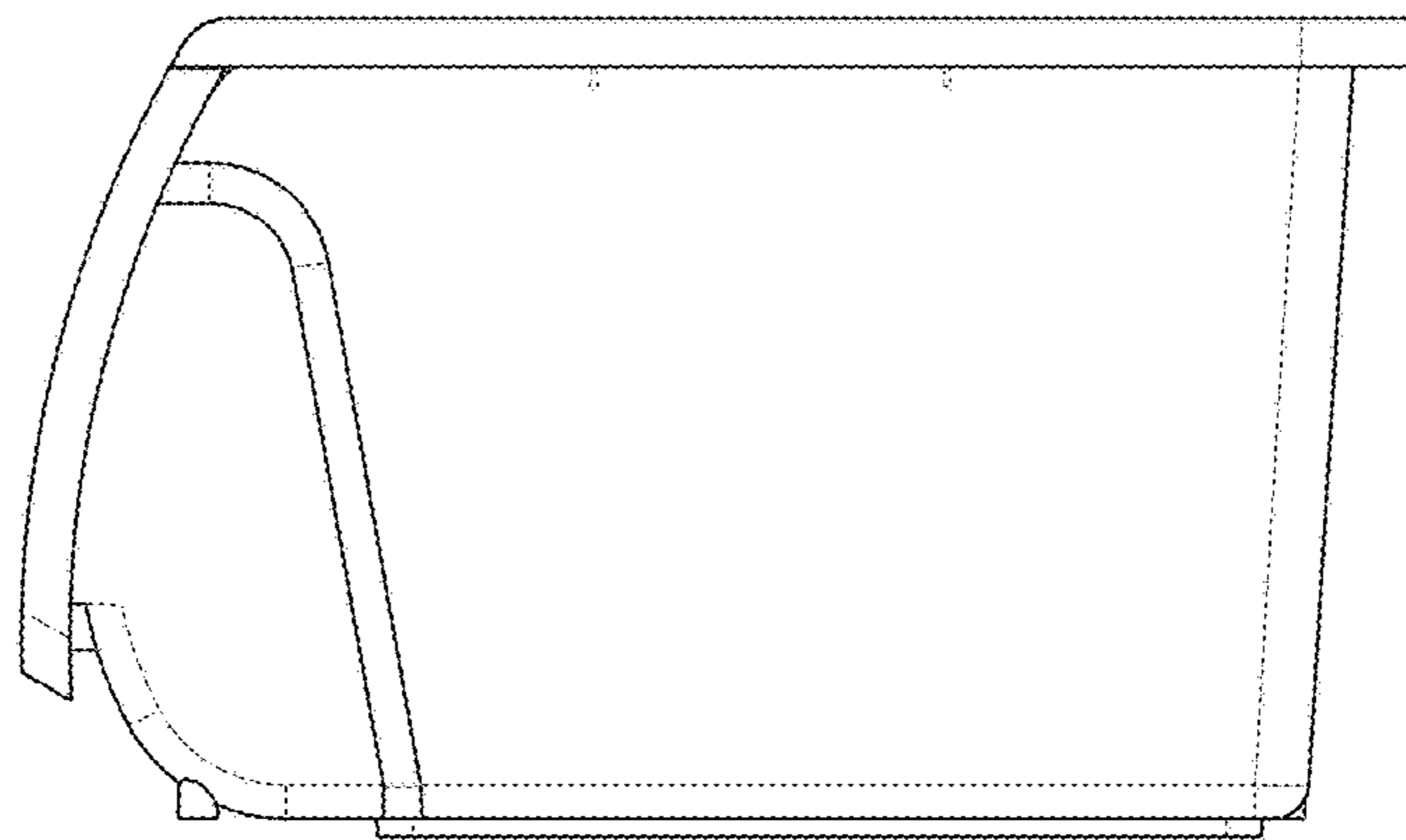


FIG. 5

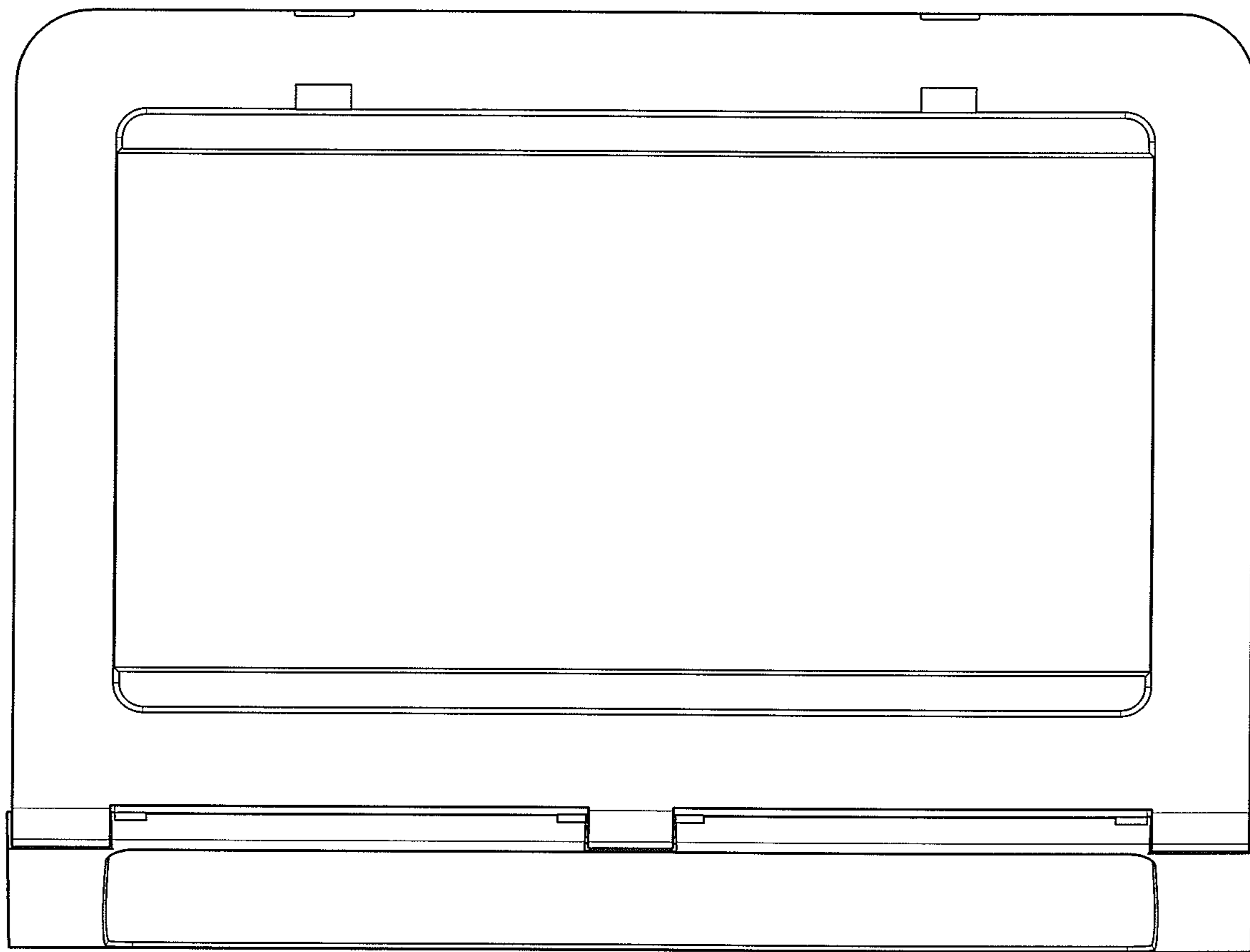


FIG. 6

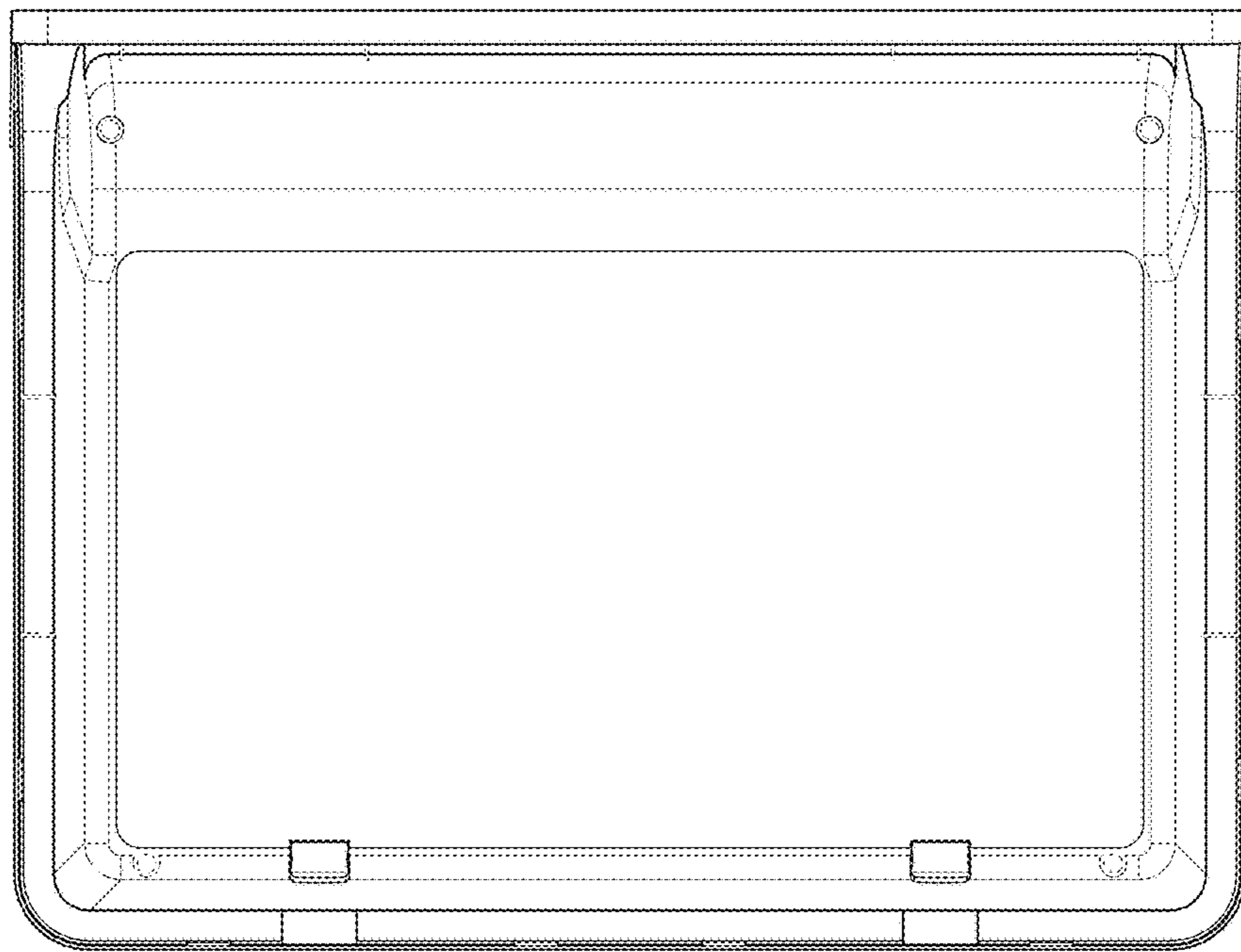


FIG. 7



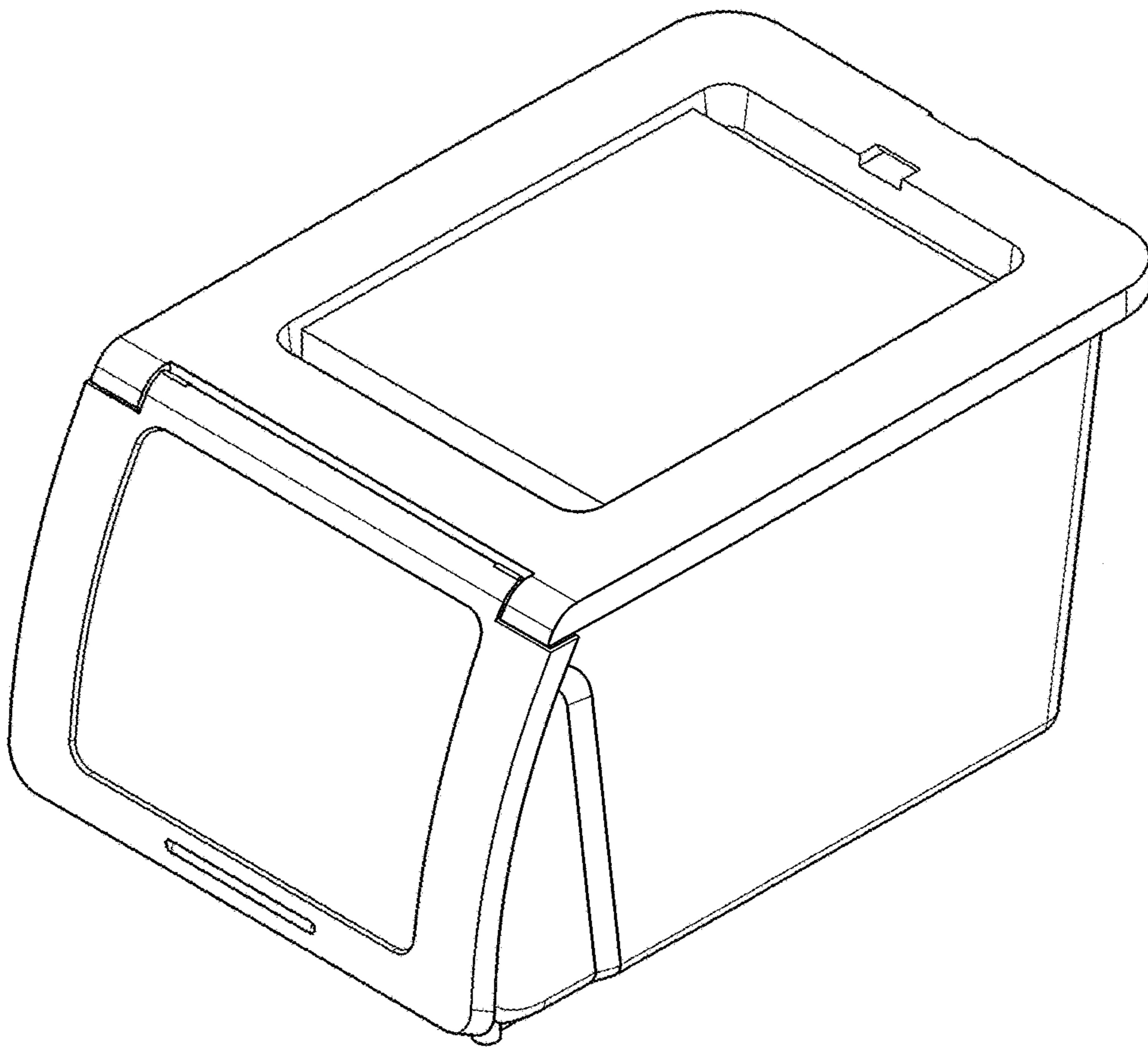


FIG. 8

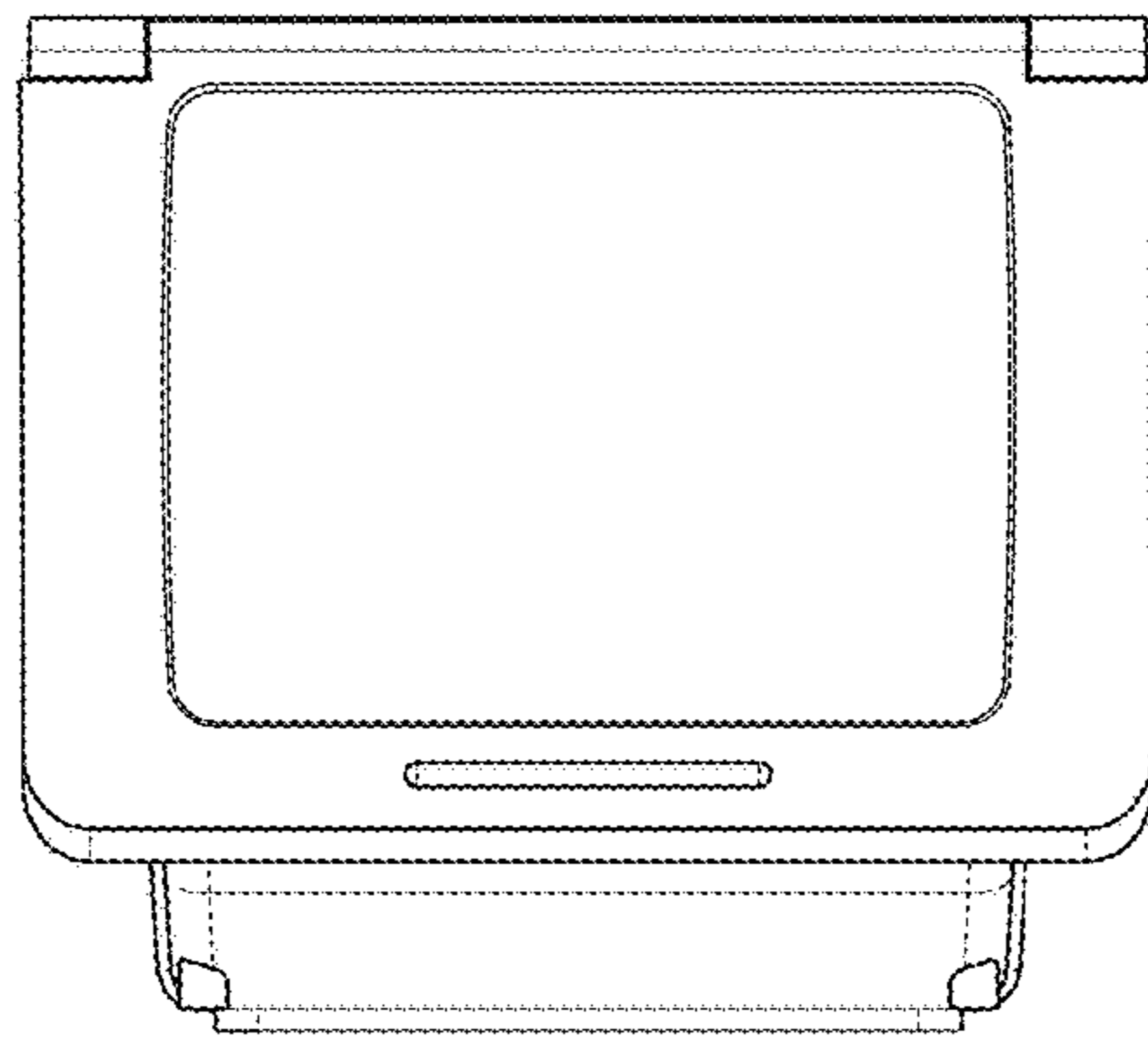


FIG. 9

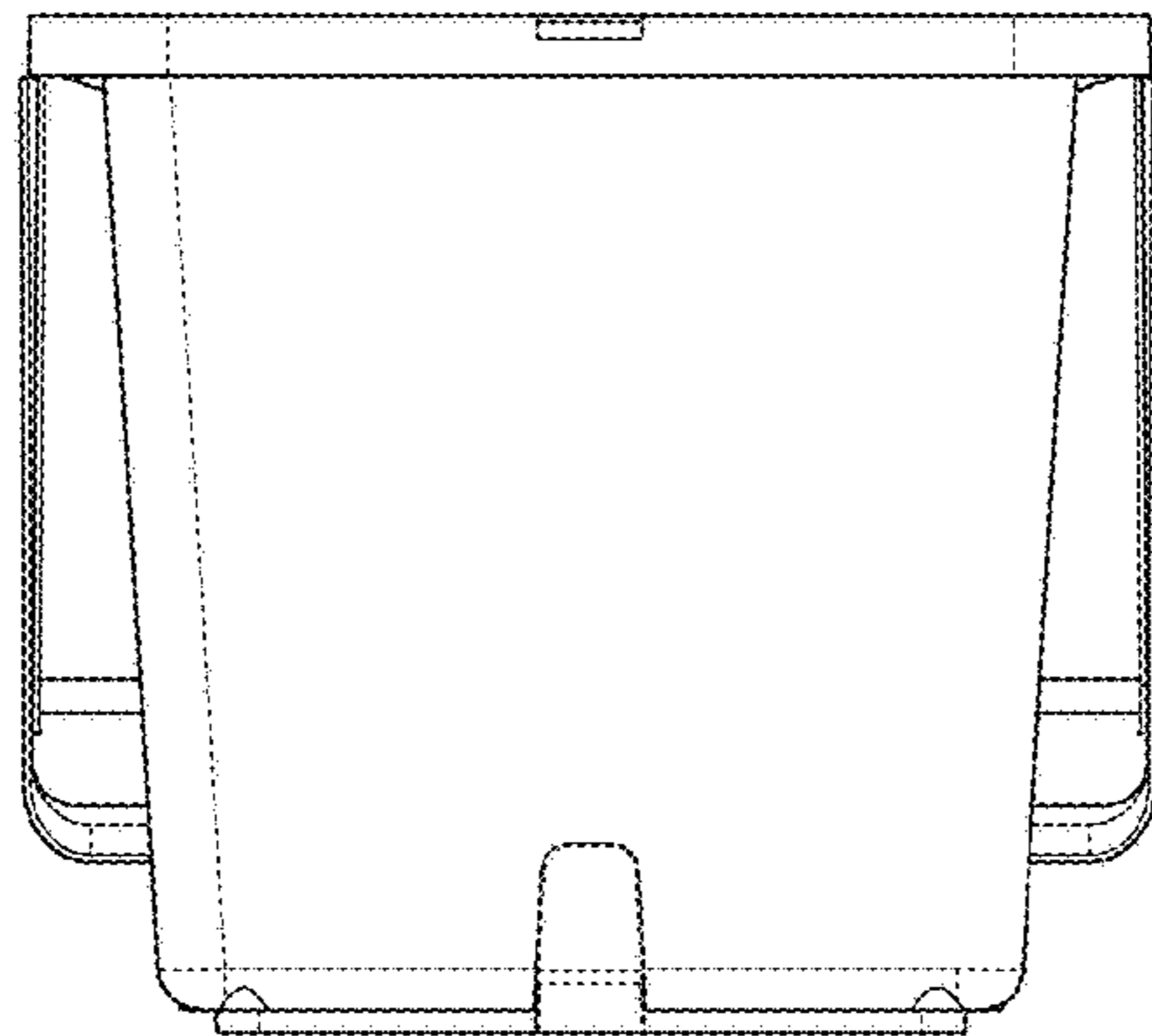


FIG. 10



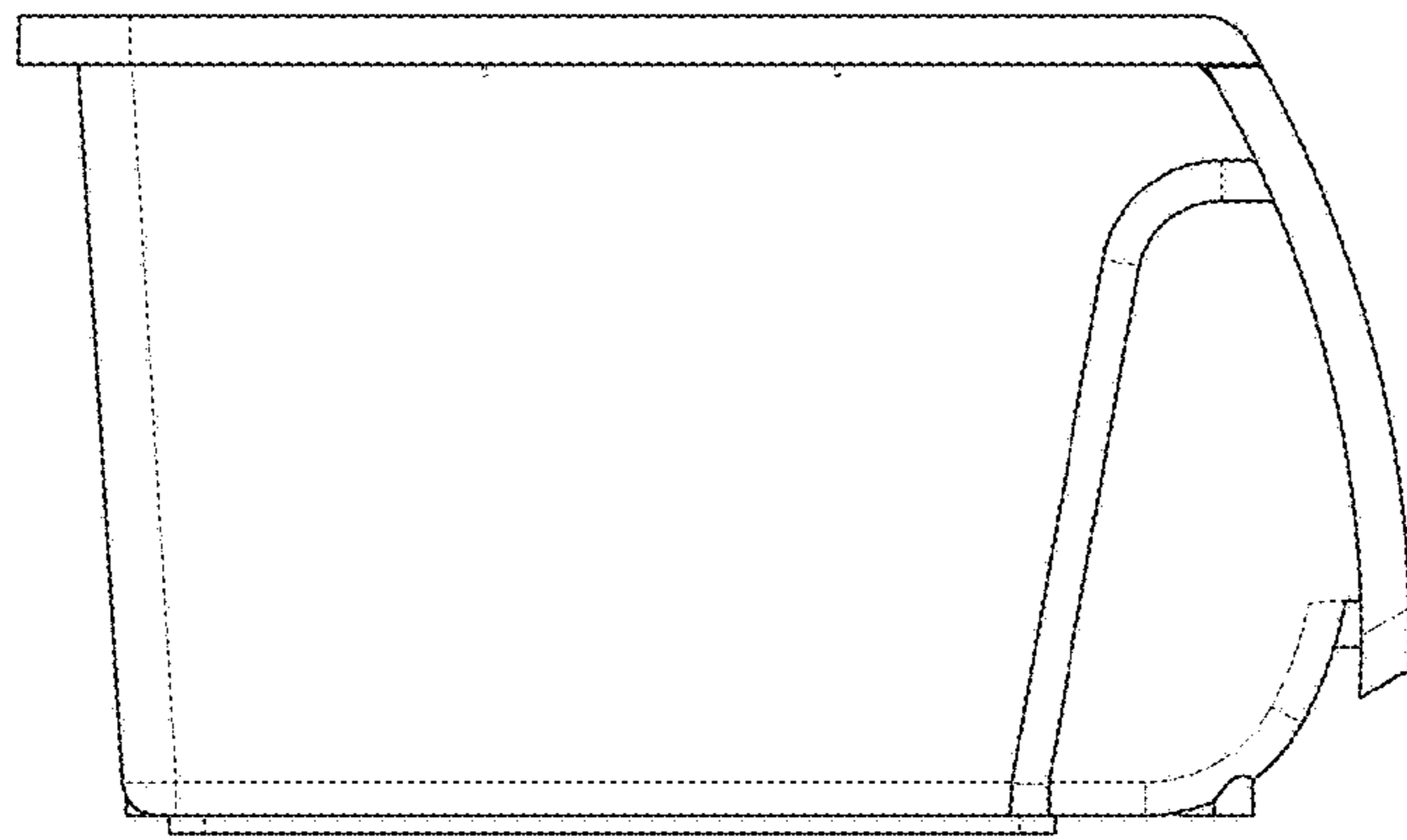


FIG. 11

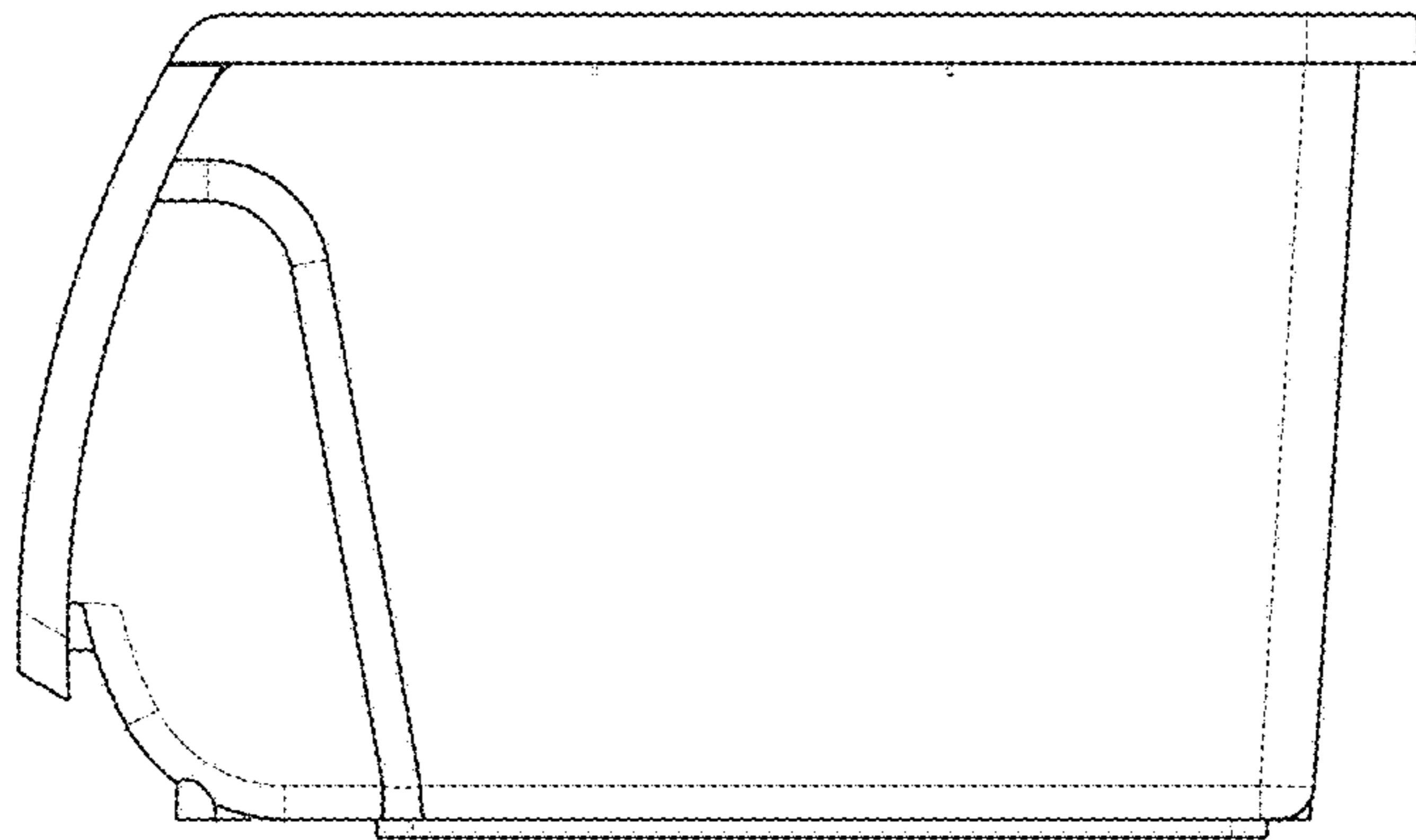


FIG. 12

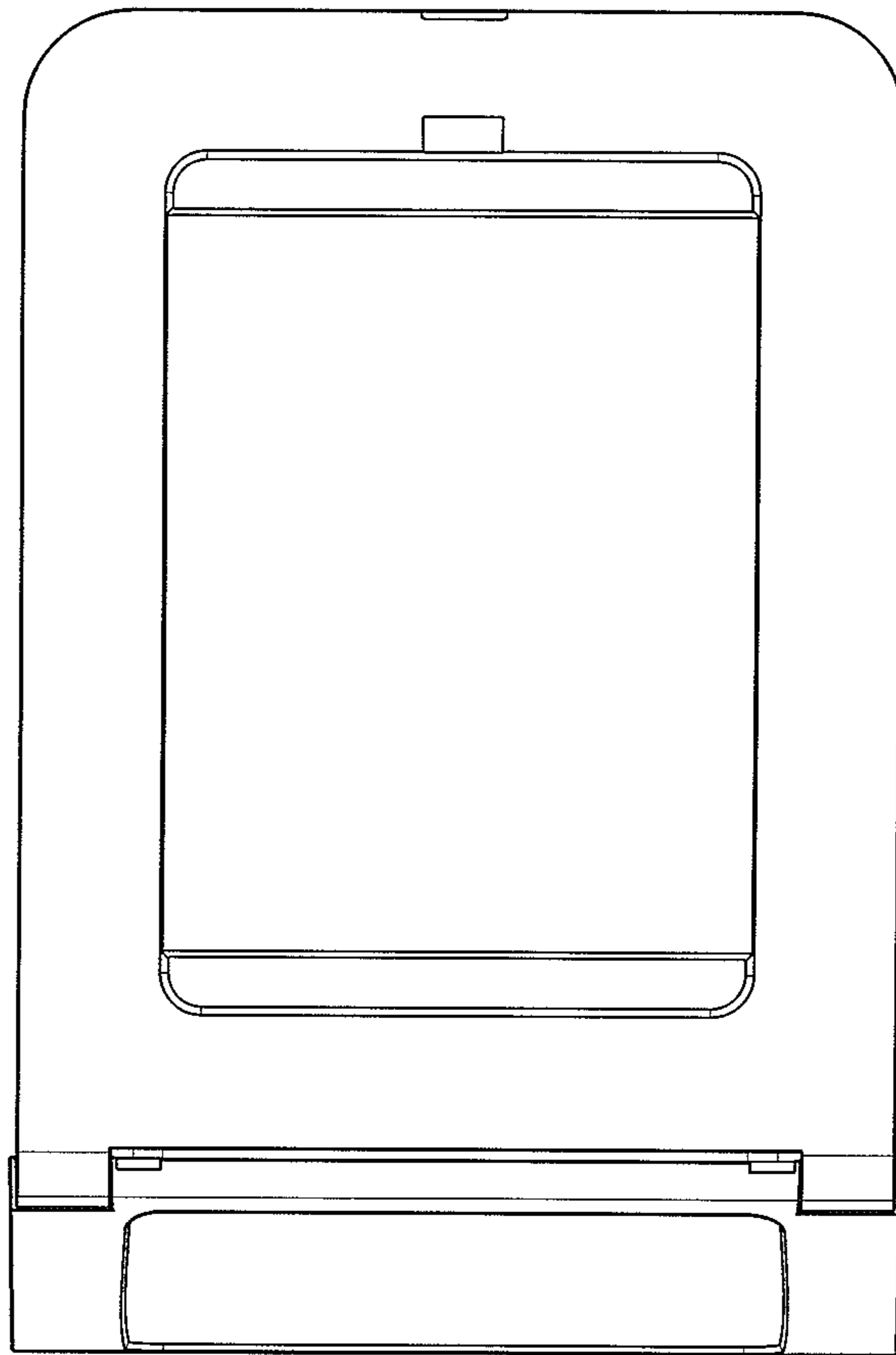


FIG. 13

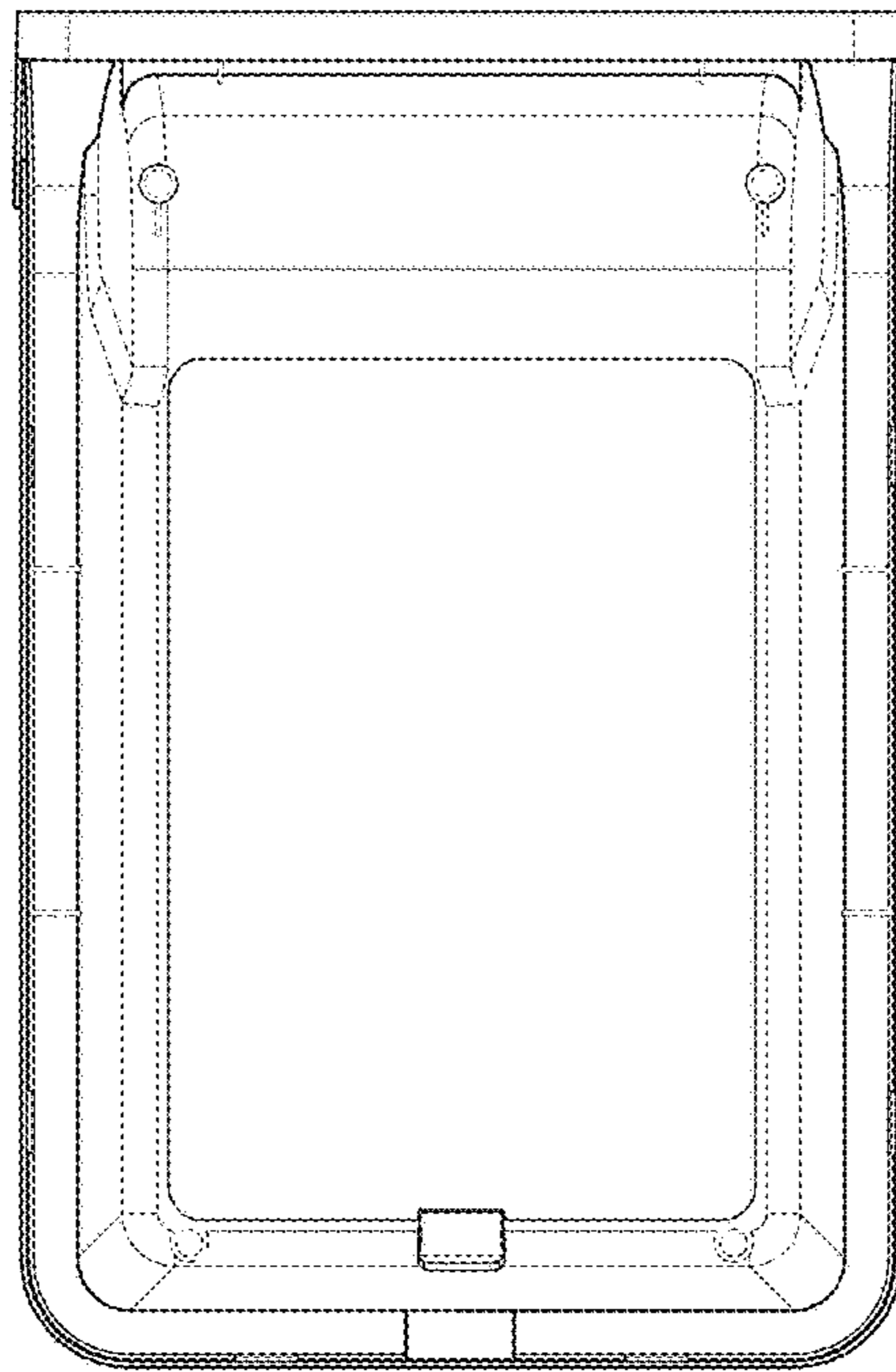


FIG. 14