



US00D851932S

(12) **United States Design Patent**
Wang

(10) **Patent No.:** **US D851,932 S**

(45) **Date of Patent:** **** Jun. 25, 2019**

(54) **STORAGE BAG**

(71) Applicant: **Wen-Tsan Wang**, Taipei (TW)

(72) Inventor: **Wen-Tsan Wang**, Taipei (TW)

(**) Term: **15 Years**

(21) Appl. No.: **29/551,623**

(22) Filed: **Jan. 15, 2016**

(51) **LOC (11) Cl.** **03-01**

(52) **U.S. Cl.**

USPC **D3/294**; D3/201

(58) **Field of Classification Search**

USPC D3/201, 205, 242, 273, 274, 275, 276,
D3/279, 281, 282, 283, 284, 289, 292,
D3/294, 295, 296, 297, 299, 301, 302,
D3/901, 903, 905; D9/414

CPC A45C 5/04; A45C 11/00; A45C 11/16
See application file for complete search history.

(56) **References Cited**

U.S. PATENT DOCUMENTS

307,299	A *	10/1884	Hare	B65D 9/10
					217/122
821,010	A *	5/1906	Wilcox	B65D 9/10
					217/122
D250,384	S *	11/1978	Dziekonski	D7/323
D333,386	S *	2/1993	Kahl	D3/288
D421,678	S *	3/2000	Levy	D3/279
D452,418	S *	12/2001	Moffett, III	D7/605
D504,566	S *	5/2005	Guy	D3/277

D508,322	S *	8/2005	Horst	D3/315
D602,691	S *	10/2009	Kerr	D3/279
D616,202	S *	5/2010	Whitlock	D3/306
D624,754	S *	10/2010	van Wijk	D3/308
D642,870	S *	8/2011	Whitlock	D3/289
D714,553	S *	10/2014	Wang	D3/295

* cited by examiner

Primary Examiner — Holly E Thurman

(74) *Attorney, Agent, or Firm* — Leong C. Lei

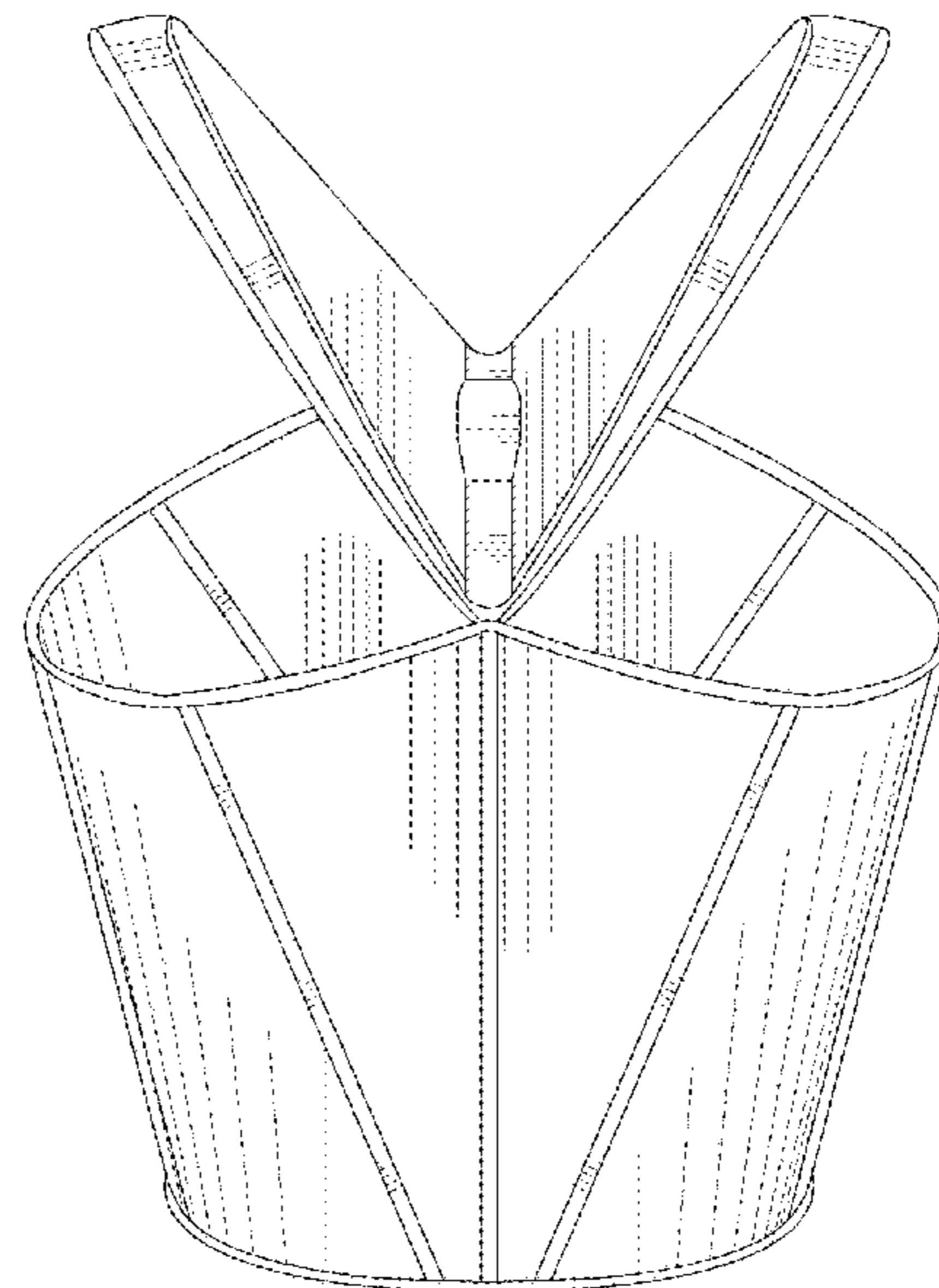
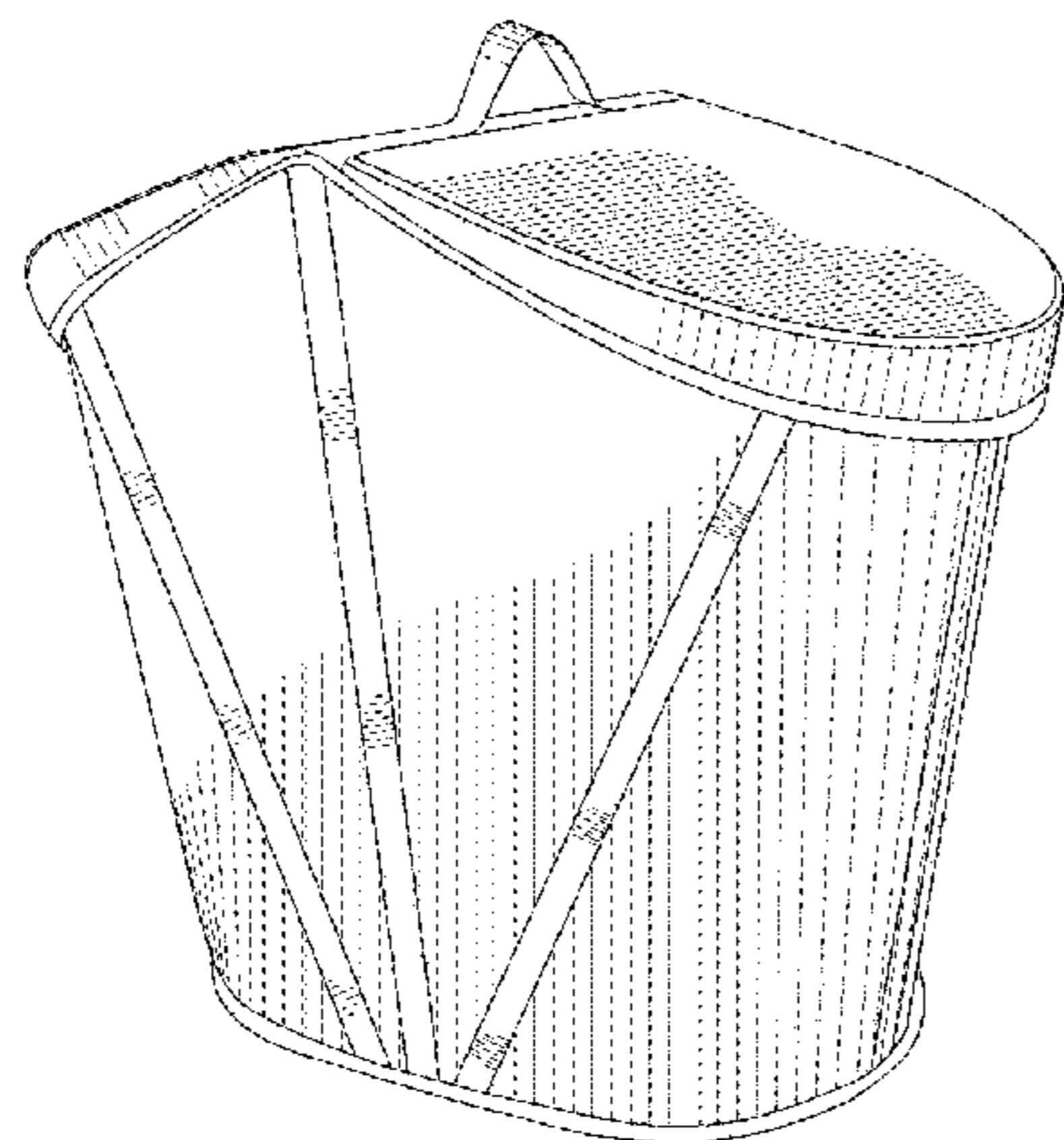
(57) **CLAIM**

The ornamental design for a storage bag, as shown and described.

DESCRIPTION

FIG. 1 is a perspective view of a storage bag showing my new design;
FIG. 2 is a front elevational view thereof;
FIG. 3 is a rear elevational view thereof;
FIG. 4 is a left side perspective view thereof;
FIG. 5 is a right side perspective view thereof;
FIG. 6 is a top plan view thereof;
FIG. 7 is a bottom plan view thereof;
FIG. 8 is another perspective view thereof, with the cover opened; and,
FIG. 9 is another perspective view thereof; with the cover opened.

1 Claim, 8 Drawing Sheets



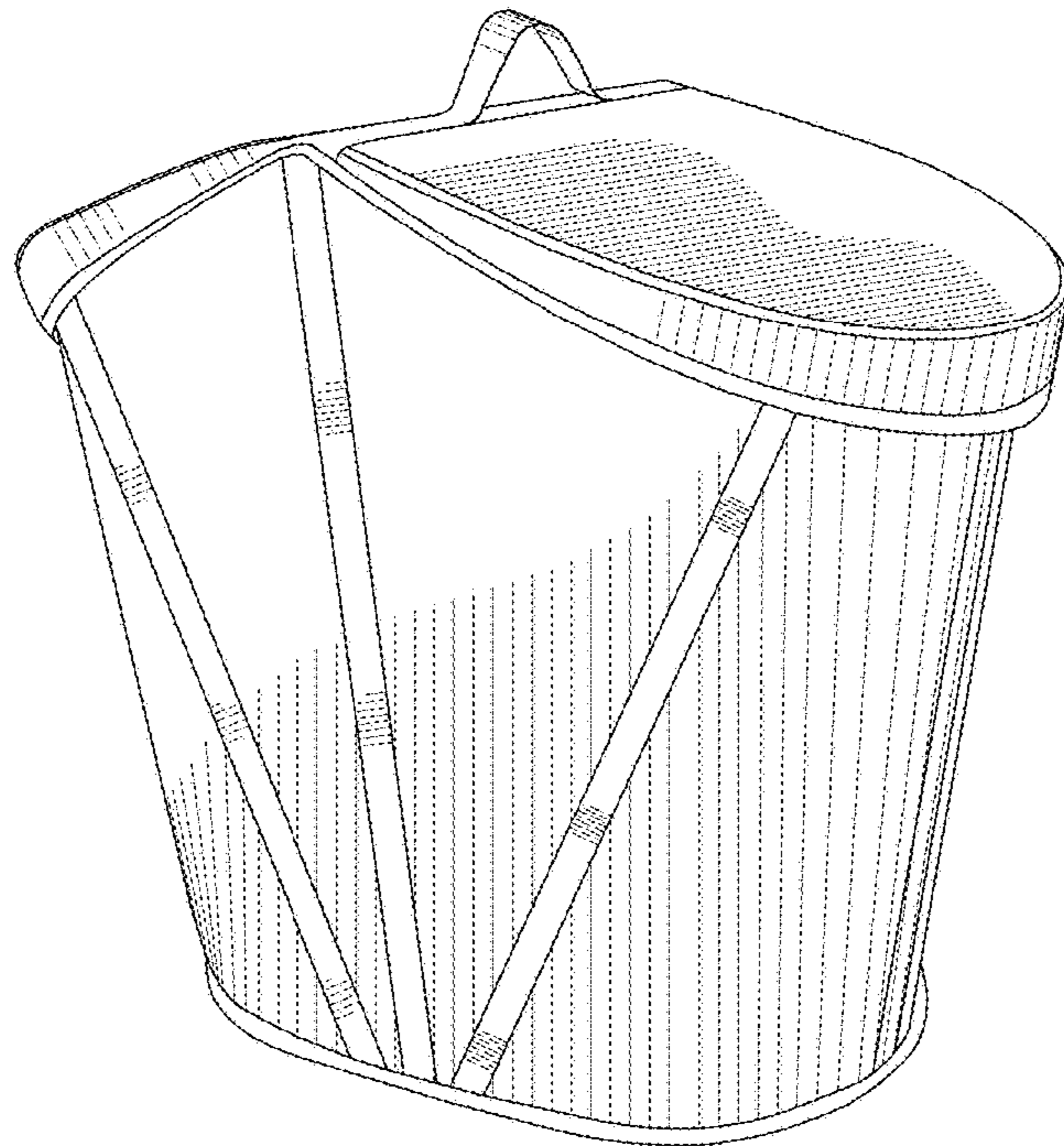


FIG. 1

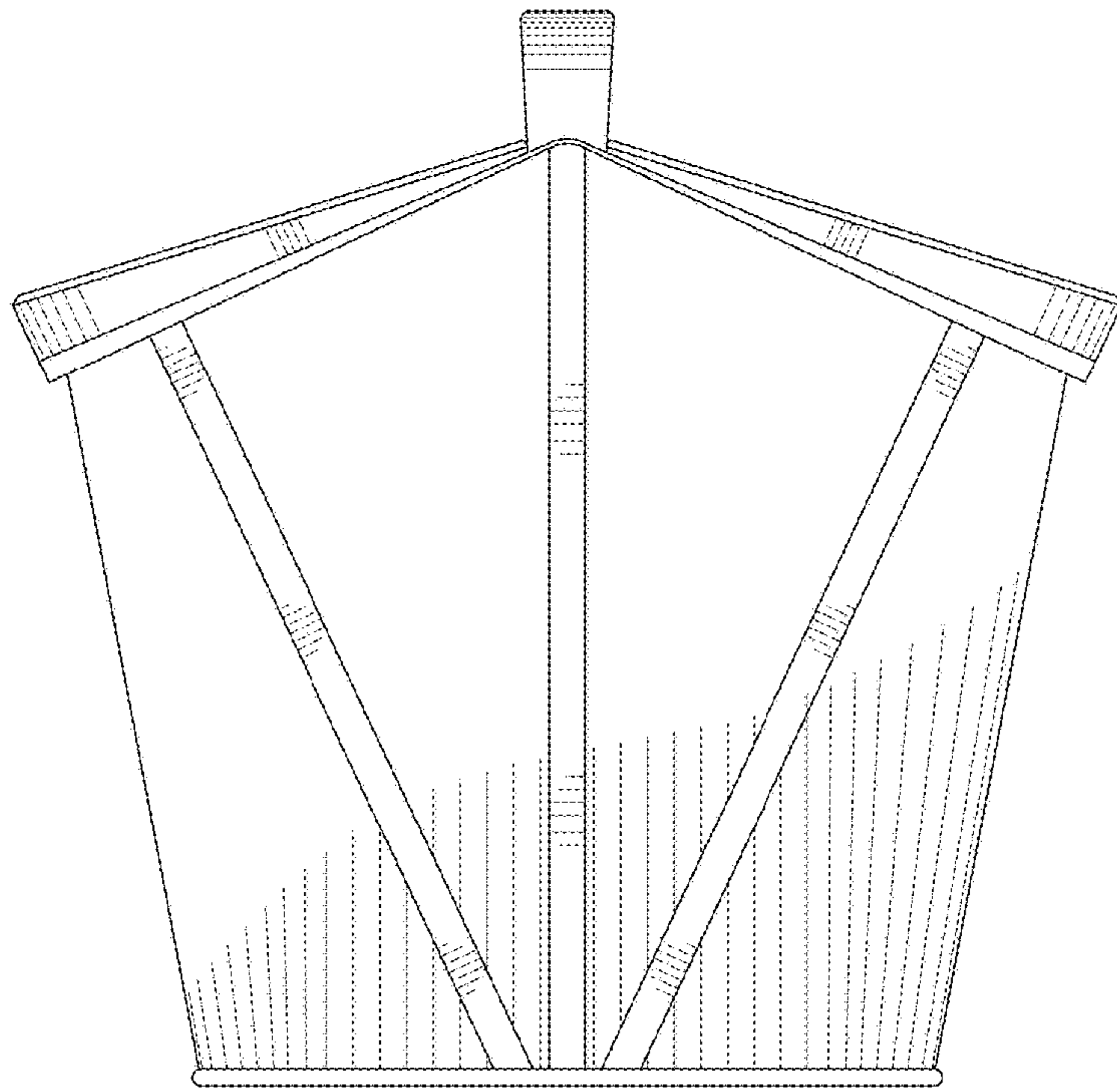


FIG. 2

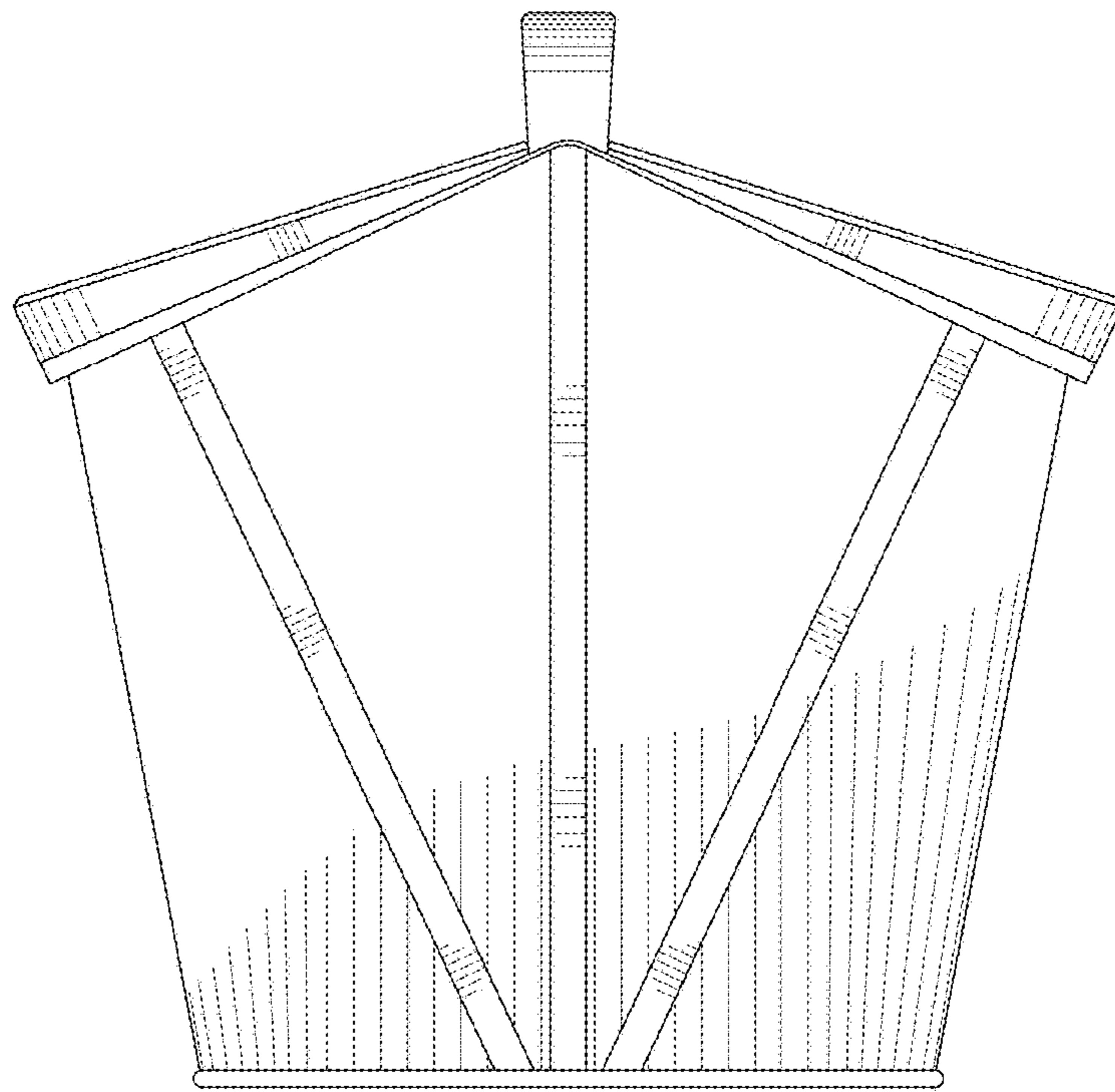


FIG. 3

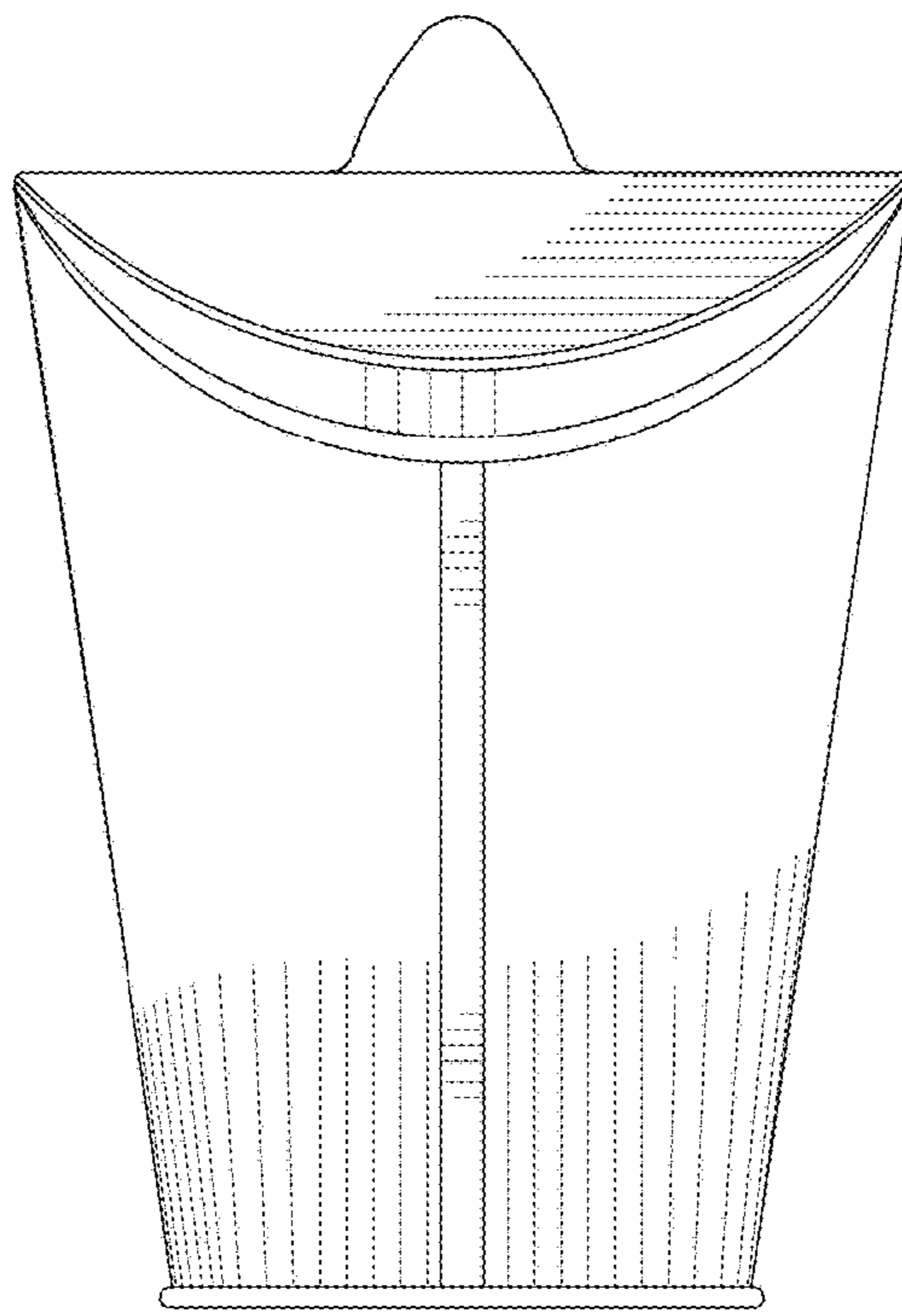


FIG. 4

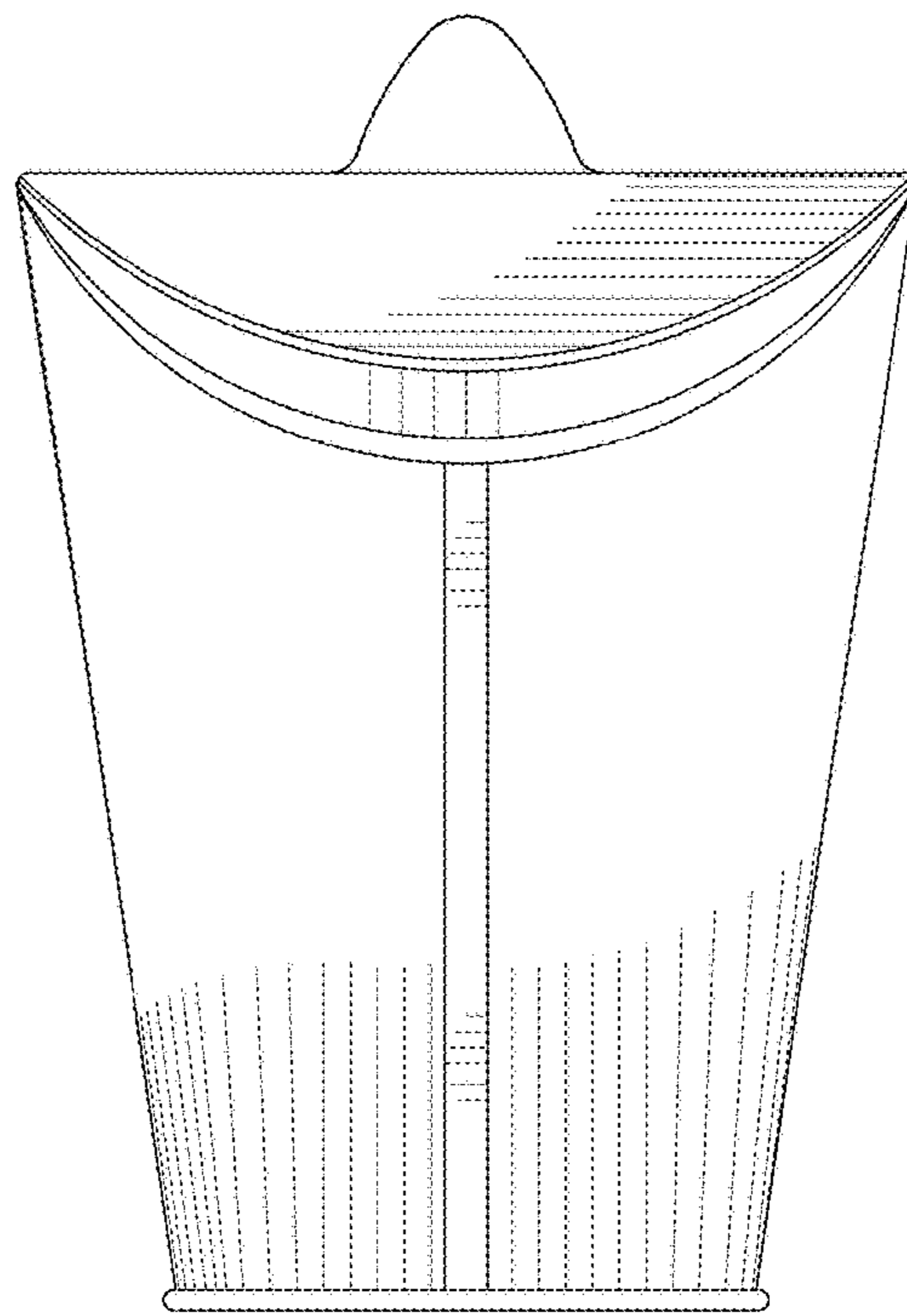


FIG. 5

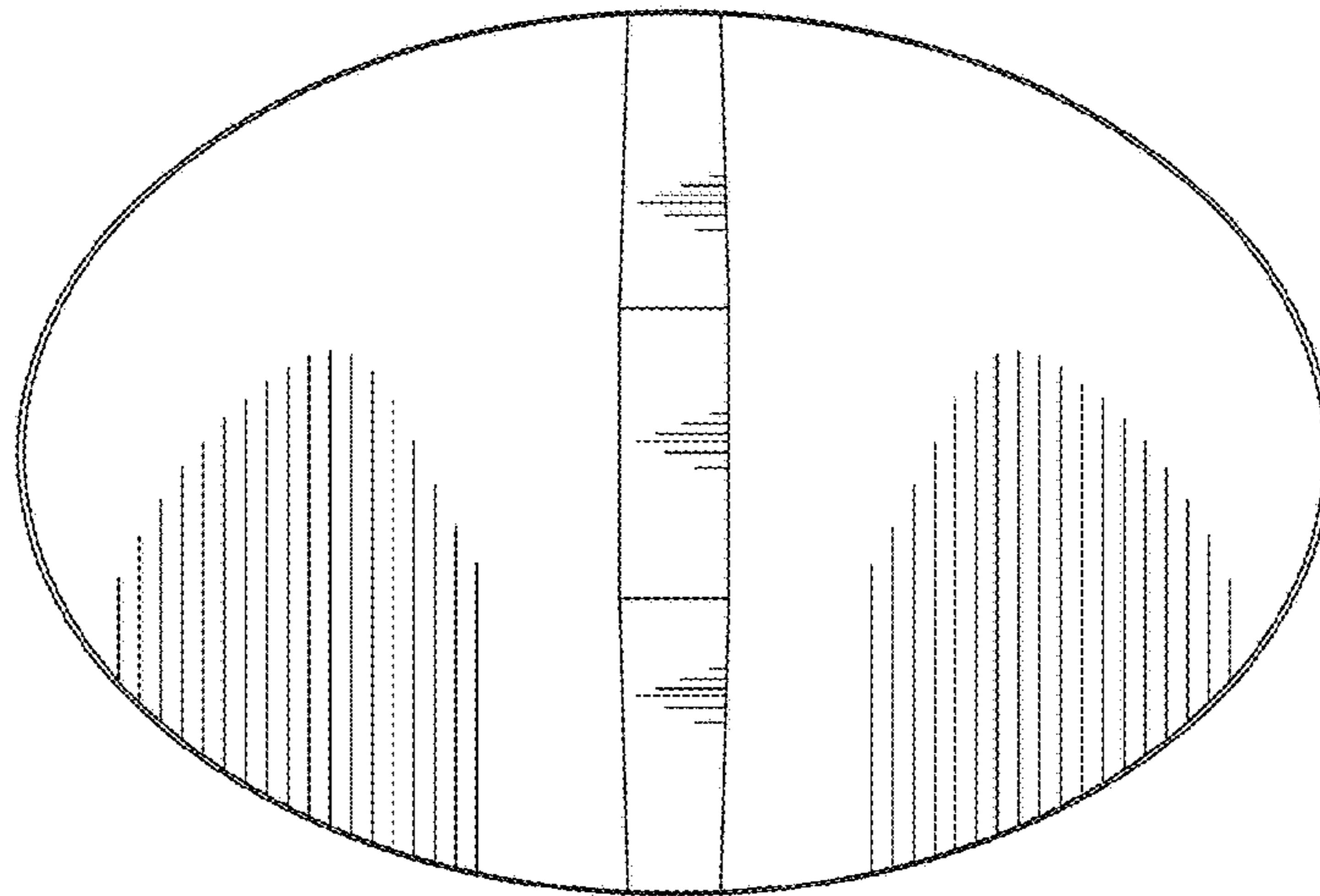


FIG. 6

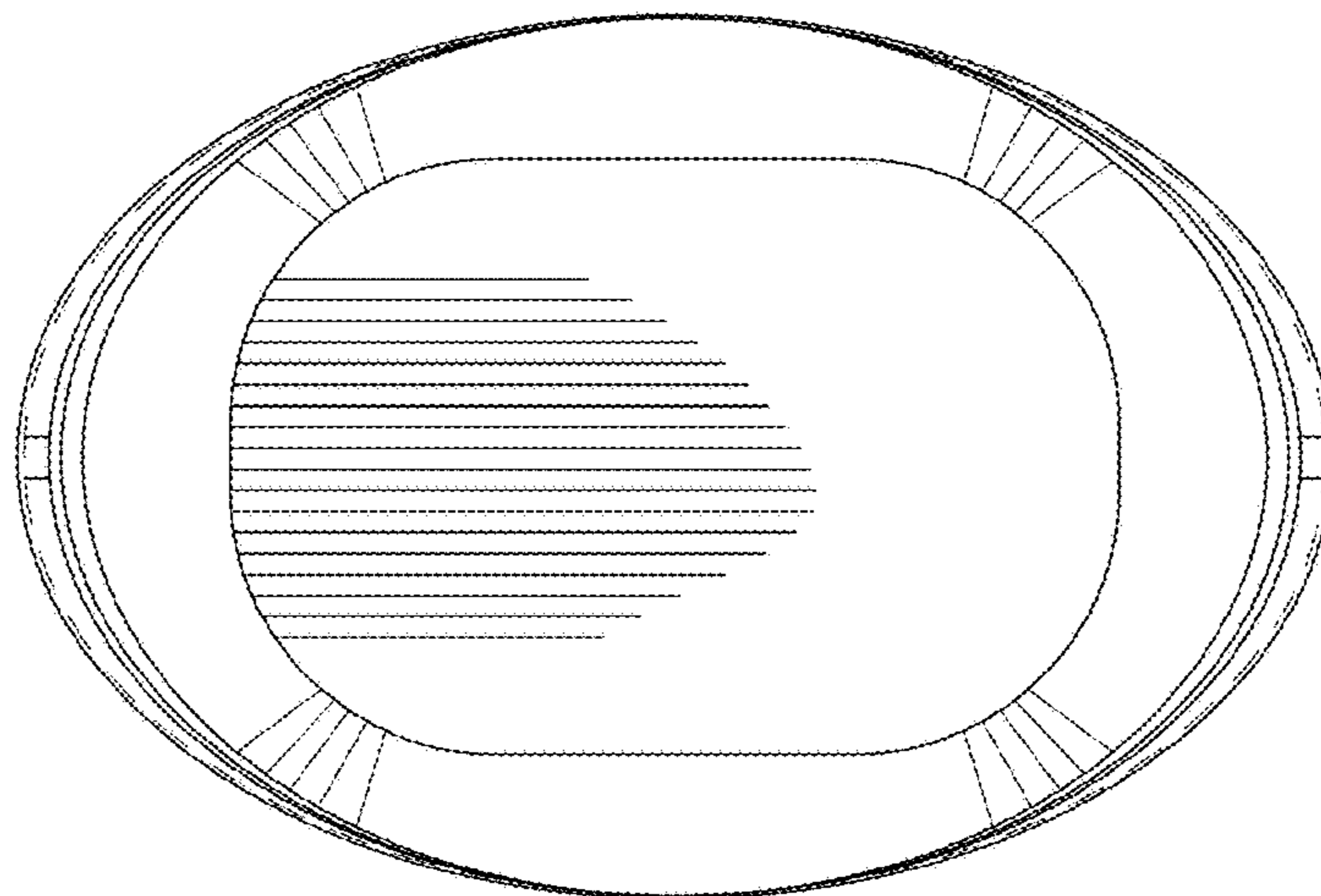


FIG. 7

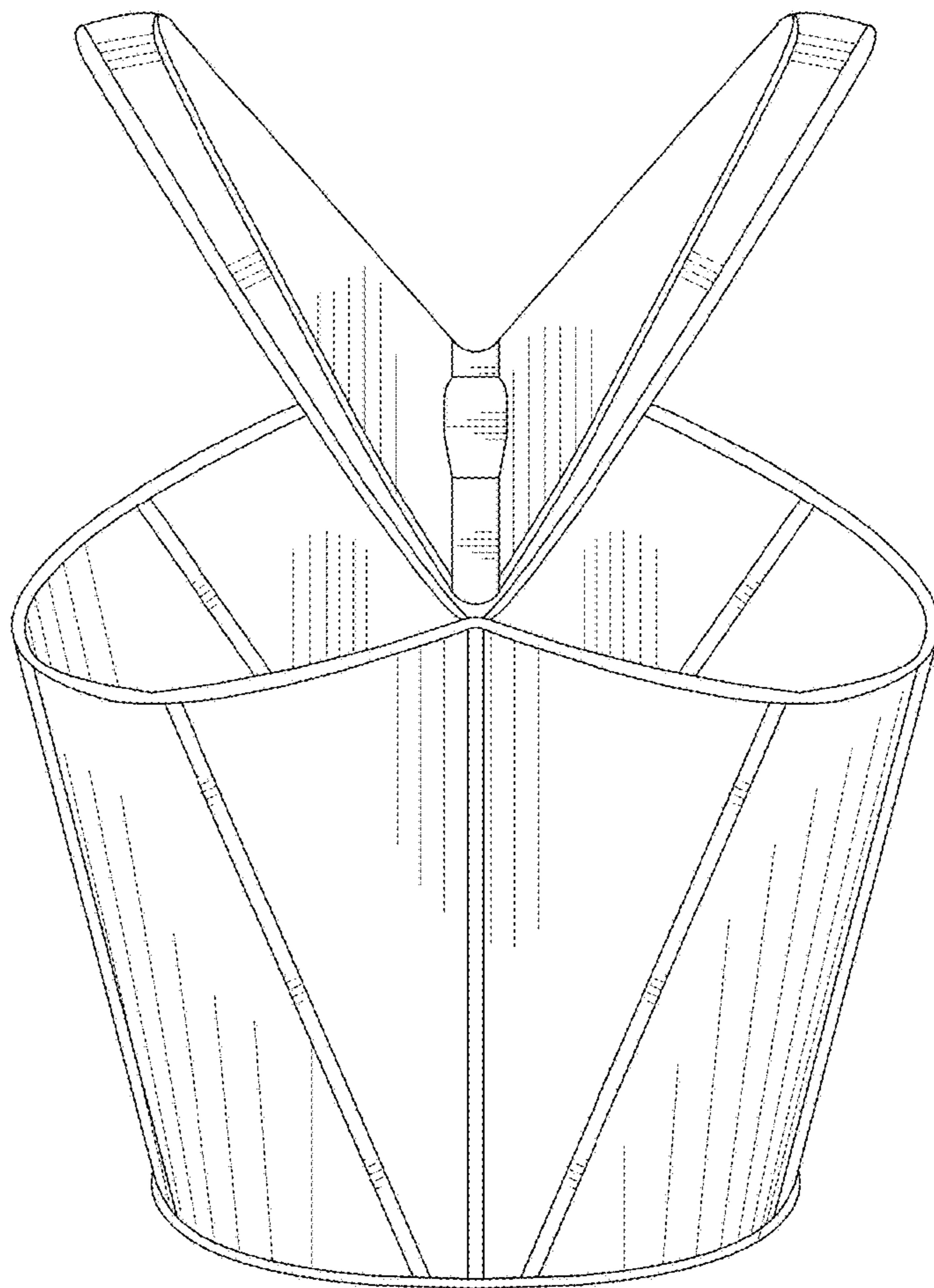


FIG. 8

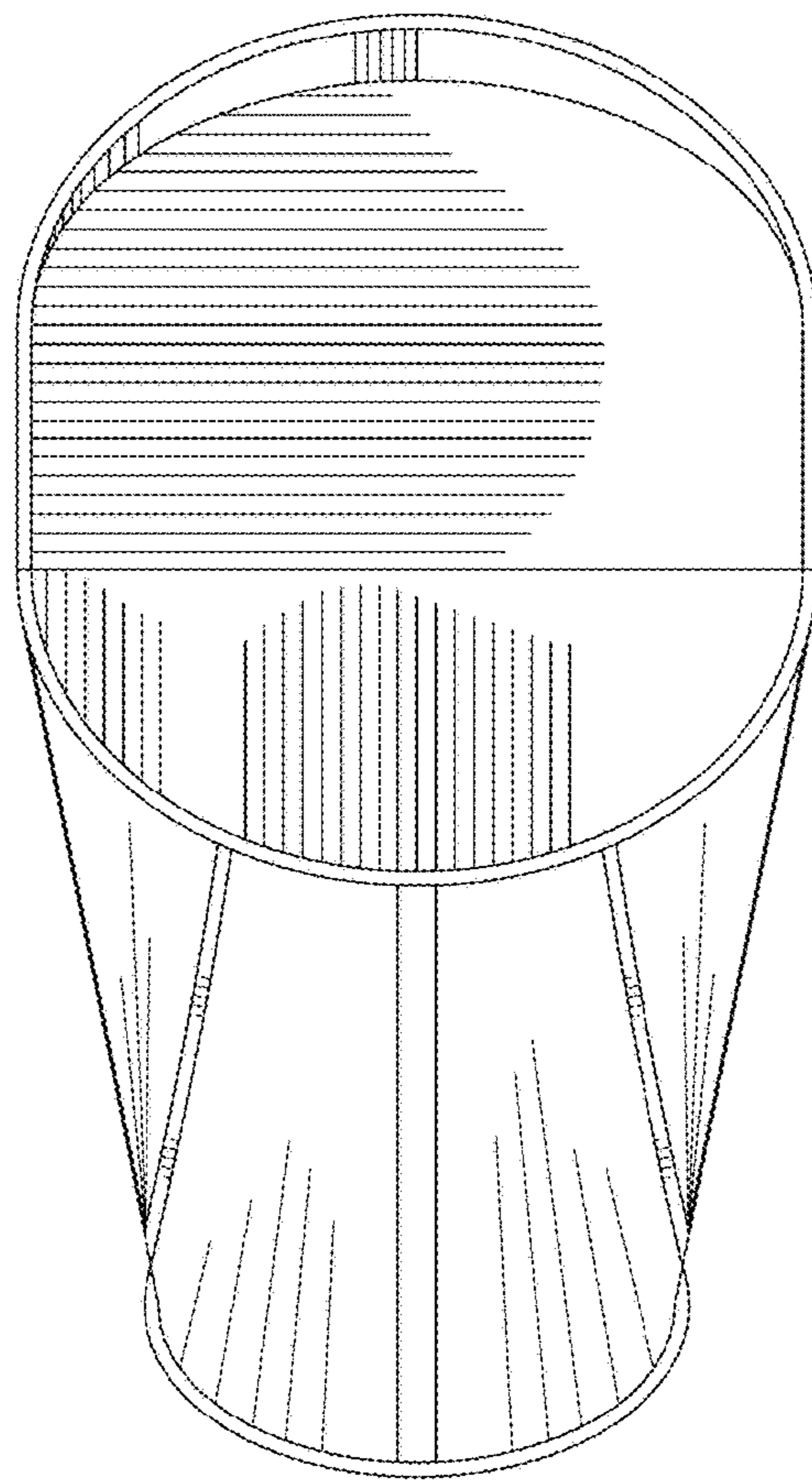


FIG. 9