



US00D851931S

(12) **United States Design Patent**  
**Currier**

(10) **Patent No.:** **US D851,931 S**

(45) **Date of Patent:** **\*\* Jun. 25, 2019**

- (54) **FOLDING ORGANIZER**
- (71) Applicant: **TALUS CORPORATION**, Portland, ME (US)
- (72) Inventor: **Jason Currier**, Portland, ME (US)
- (73) Assignee: **Talus Corporation**, Portland, ME (US)
- (\*\*) Term: **15 Years**
- (21) Appl. No.: **29/554,246**
- (22) Filed: **Feb. 9, 2016**
- (51) **LOC (11) Cl.** ..... **03-01**
- (52) **U.S. Cl.**  
USPC ..... **D3/290; D3/299**
- (58) **Field of Classification Search**  
USPC ..... D3/205, 273, 274, 275, 276, 281, 283,  
D3/284, 290, 292, 294-297, 299, 302,  
D3/905, 901, 903  
CPC ..... A45C 5/04; A45C 11/00; A45C 11/16  
See application file for complete search history.

D670,500 S *	11/2012	Sosnovsky .....	D3/304
D692,661 S *	11/2013	Gupton, Jr. ....	D3/279
D700,780 S *	3/2014	Currier .....	D3/304
D703,431 S *	4/2014	Taylor .....	D3/243
D725,908 S *	4/2015	Zwetzig .....	D3/283
D751,262 S *	3/2016	Currier .....	D34/7
D762,384 S *	8/2016	Boroski .....	D3/283
D762,978 S *	8/2016	Boroski .....	D3/283
D808,165 S *	1/2018	Currier .....	D3/283
D820,595 S *	6/2018	Currier .....	D3/293

\* cited by examiner

*Primary Examiner* — Holly E Thurman

(74) *Attorney, Agent, or Firm* — Tredecim LLC; Sean L. Sweeney; Taylor A. Noonan

(57) **CLAIM**

The ornamental design for a folding organizer, as shown and described.

**DESCRIPTION**

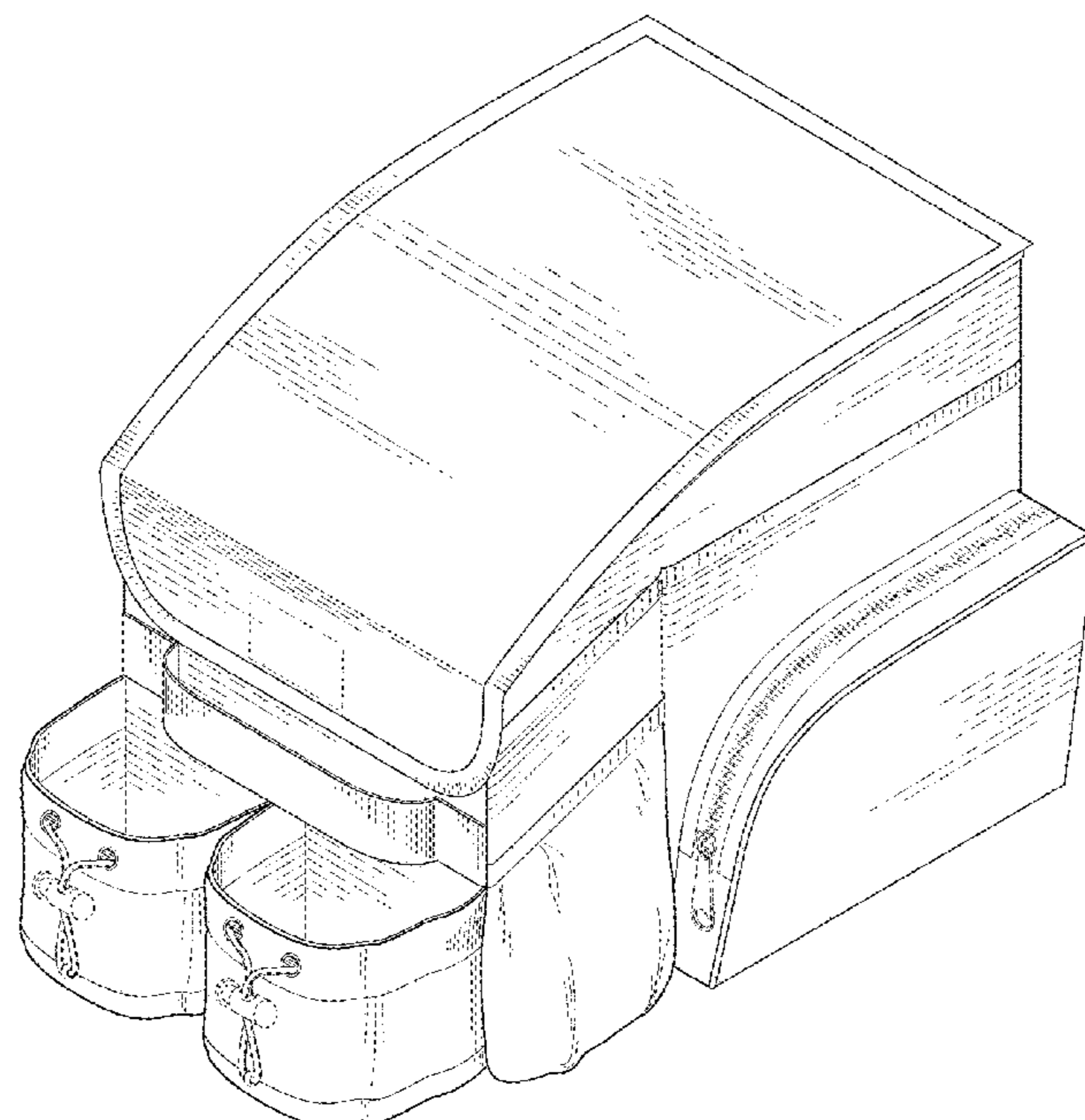
FIG. 1 is a front view of a folding organizer showing my new design;  
 FIG. 2 is a rear view thereof;  
 FIG. 3 is a left side view thereof;  
 FIG. 4 is a right side view thereof;  
 FIG. 5 is a top view thereof;  
 FIG. 6 is a bottom view thereof; and,  
 FIG. 7 is a perspective front view thereof.  
 The dashed lines are for illustrative purposes only and form no part of the claimed design.

**1 Claim, 7 Drawing Sheets**

(56) **References Cited**

U.S. PATENT DOCUMENTS

D291,149 S *	8/1987	Smith .....	D3/287
D419,763 S *	2/2000	Wiebe .....	D3/232
D423,779 S *	5/2000	Goatcher .....	D3/283
D520,747 S *	5/2006	McClain .....	D3/290
D602,688 S *	10/2009	Smith .....	D3/233
D639,557 S *	6/2011	Damda .....	D3/287



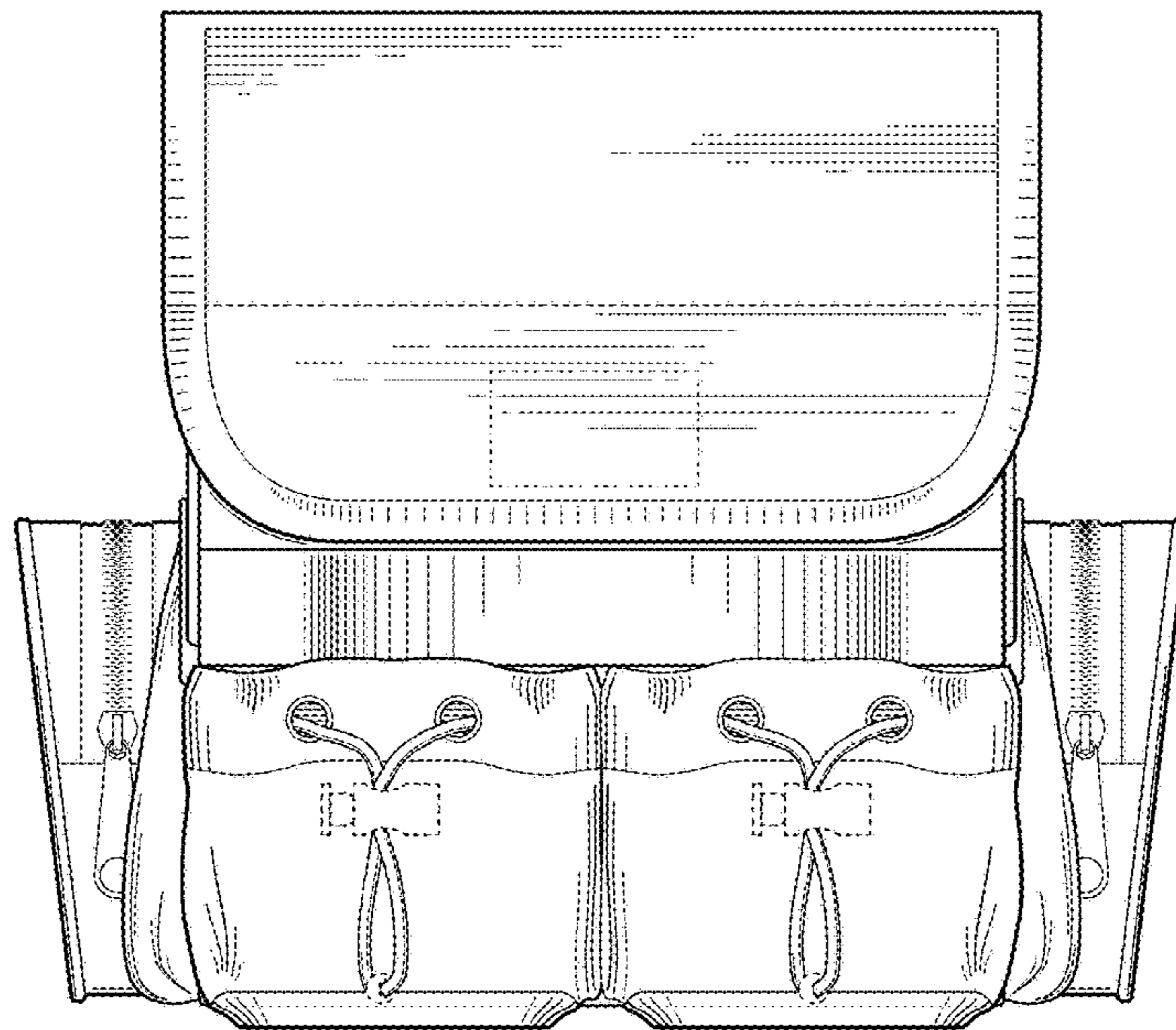


FIG. 1

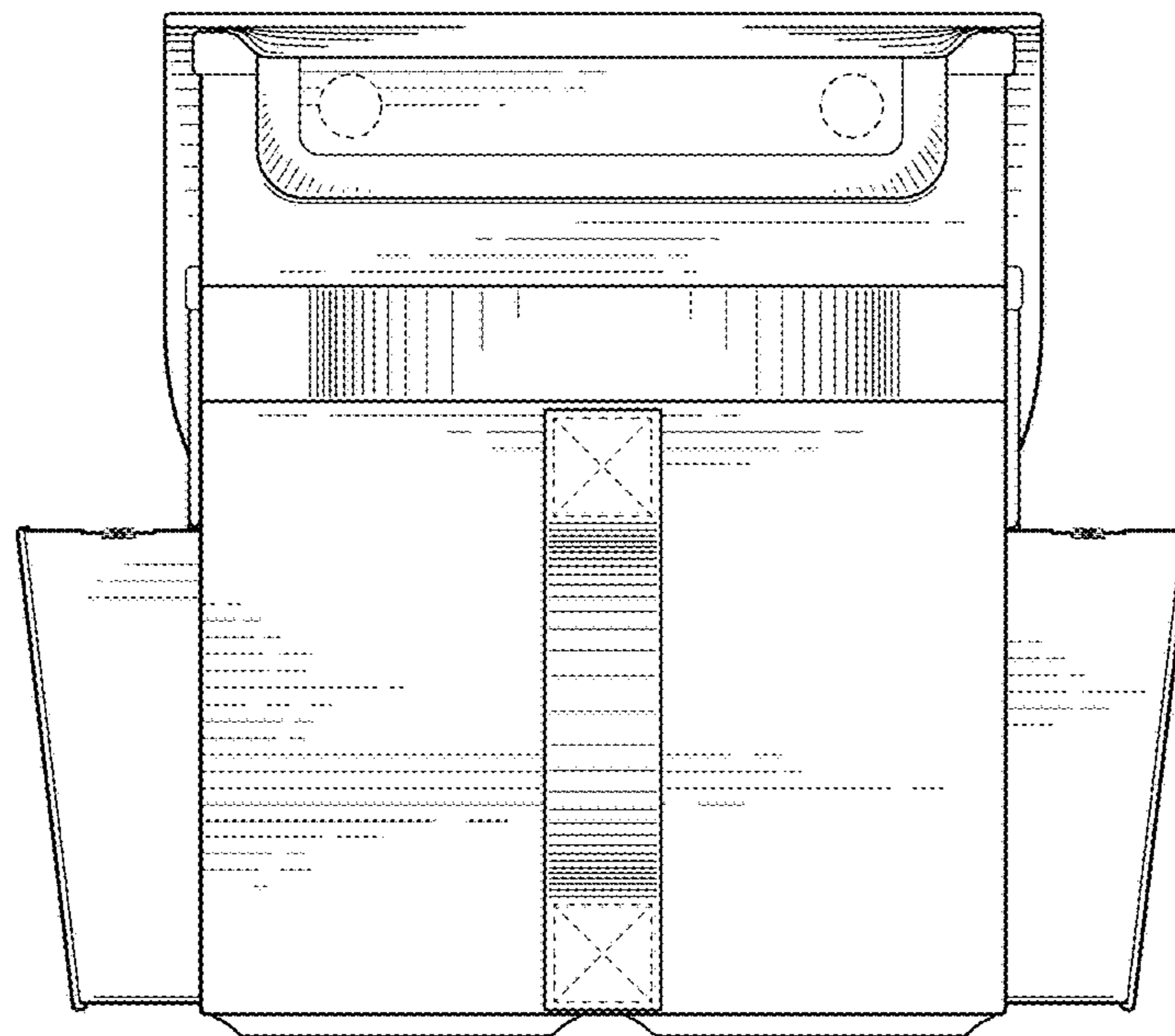


FIG. 2

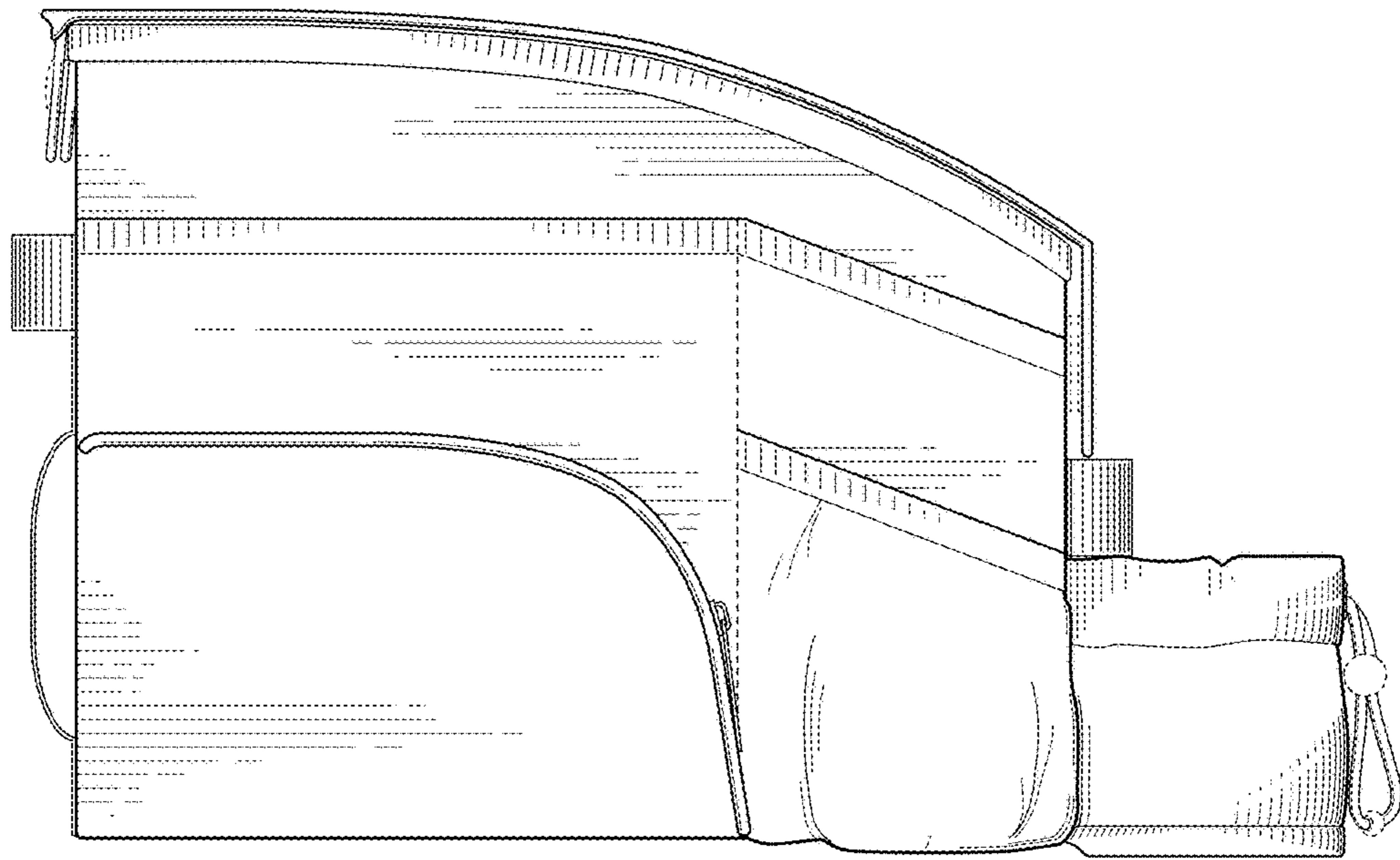


FIG. 3

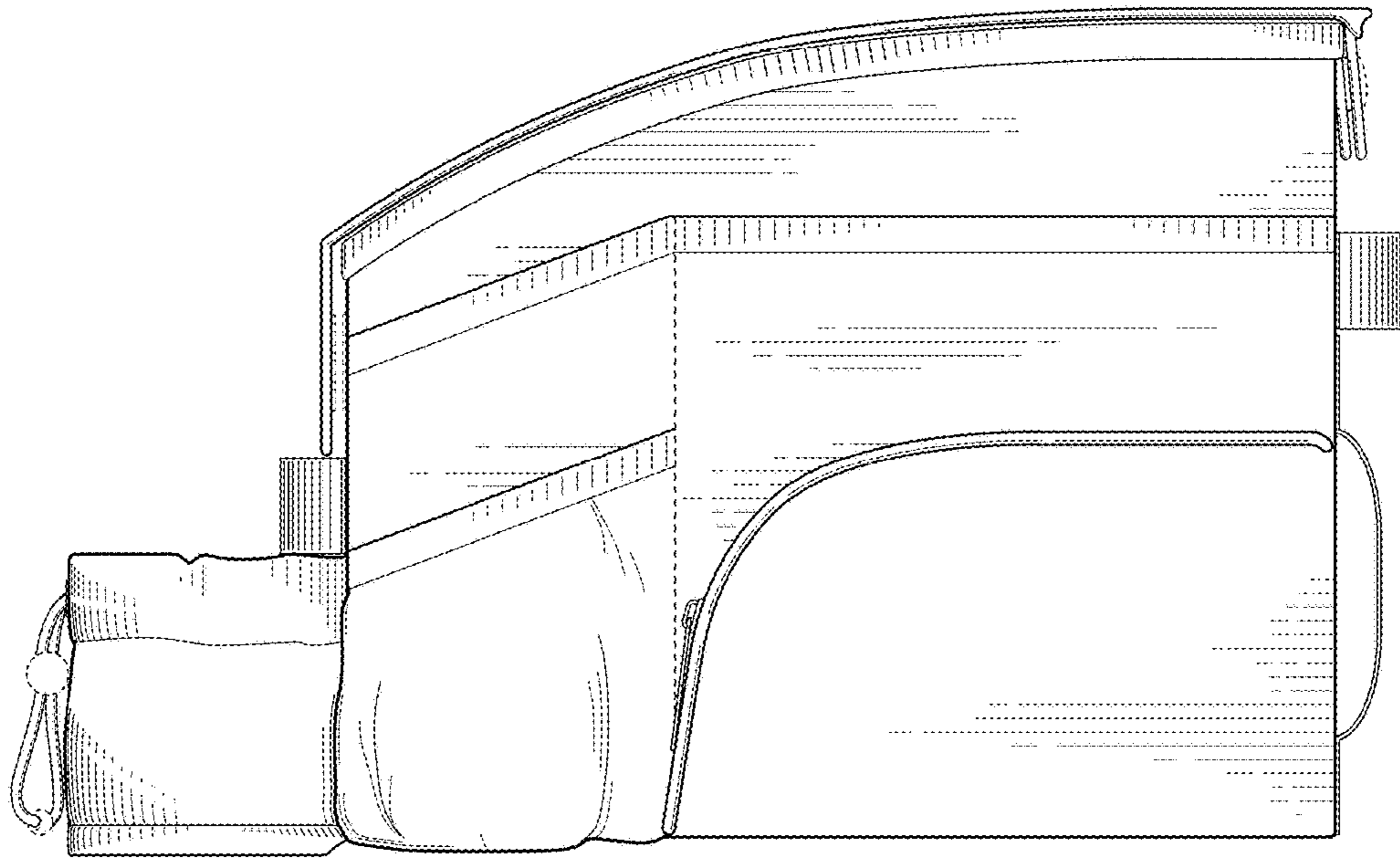


FIG. 4

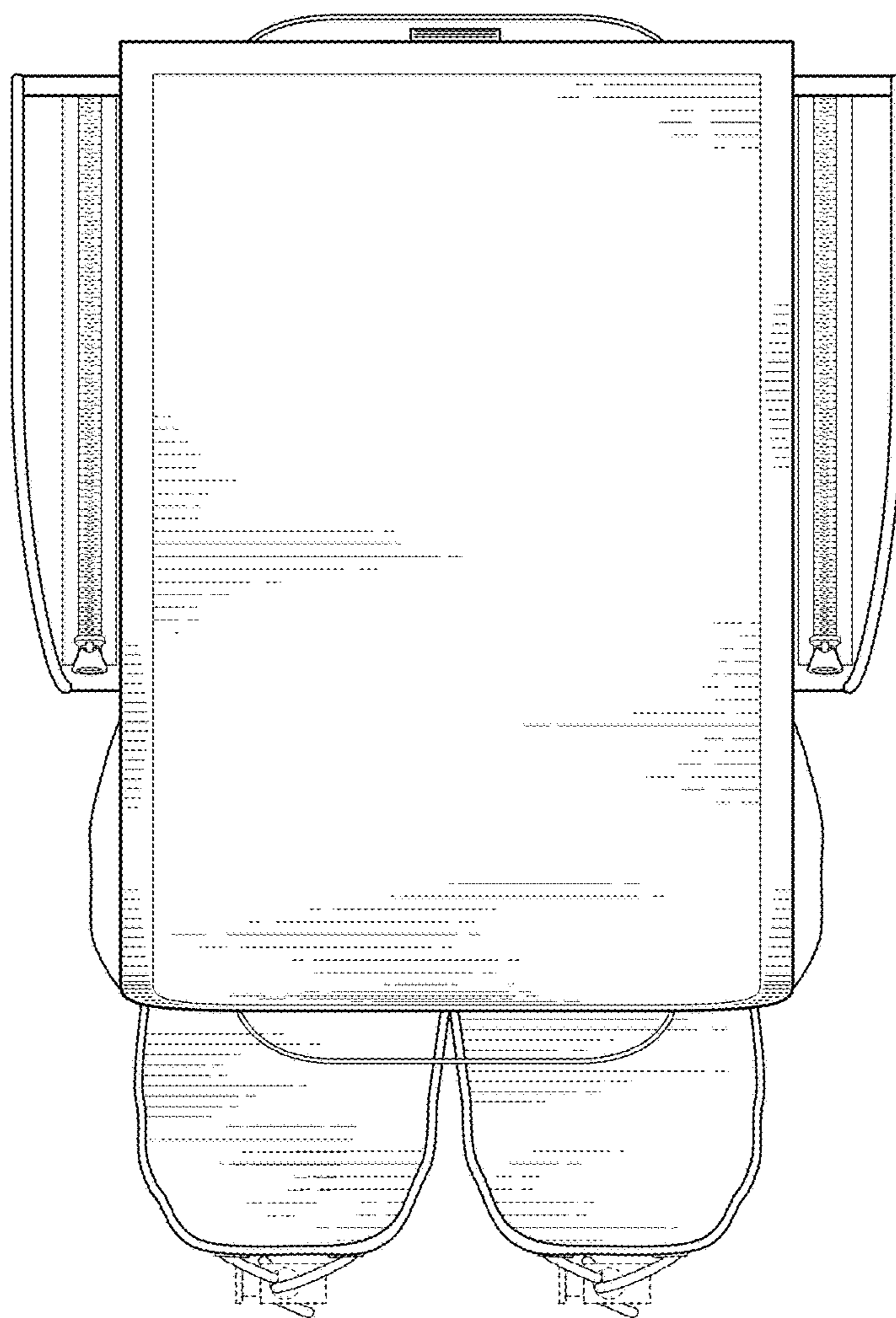


FIG. 5

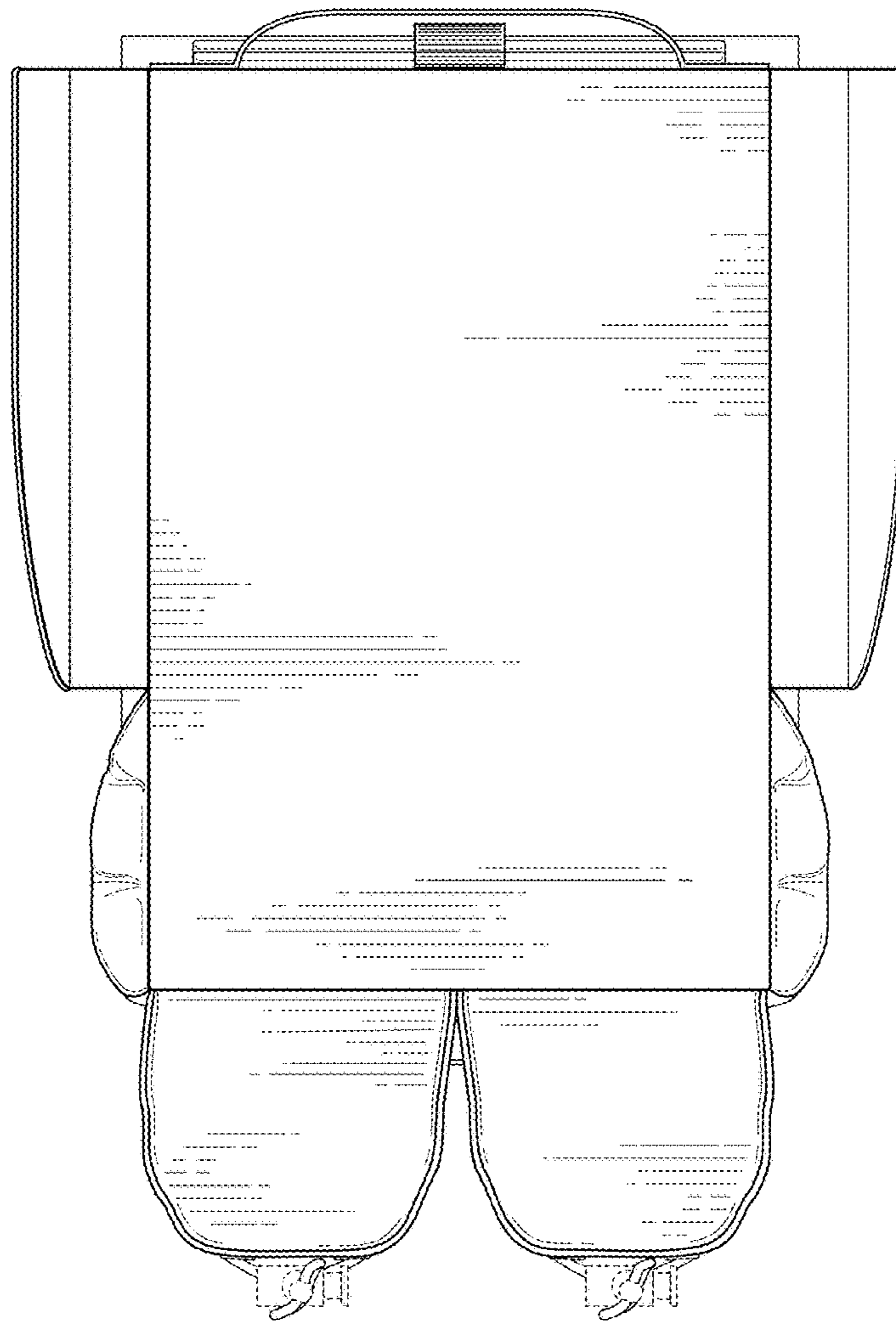


FIG. 6

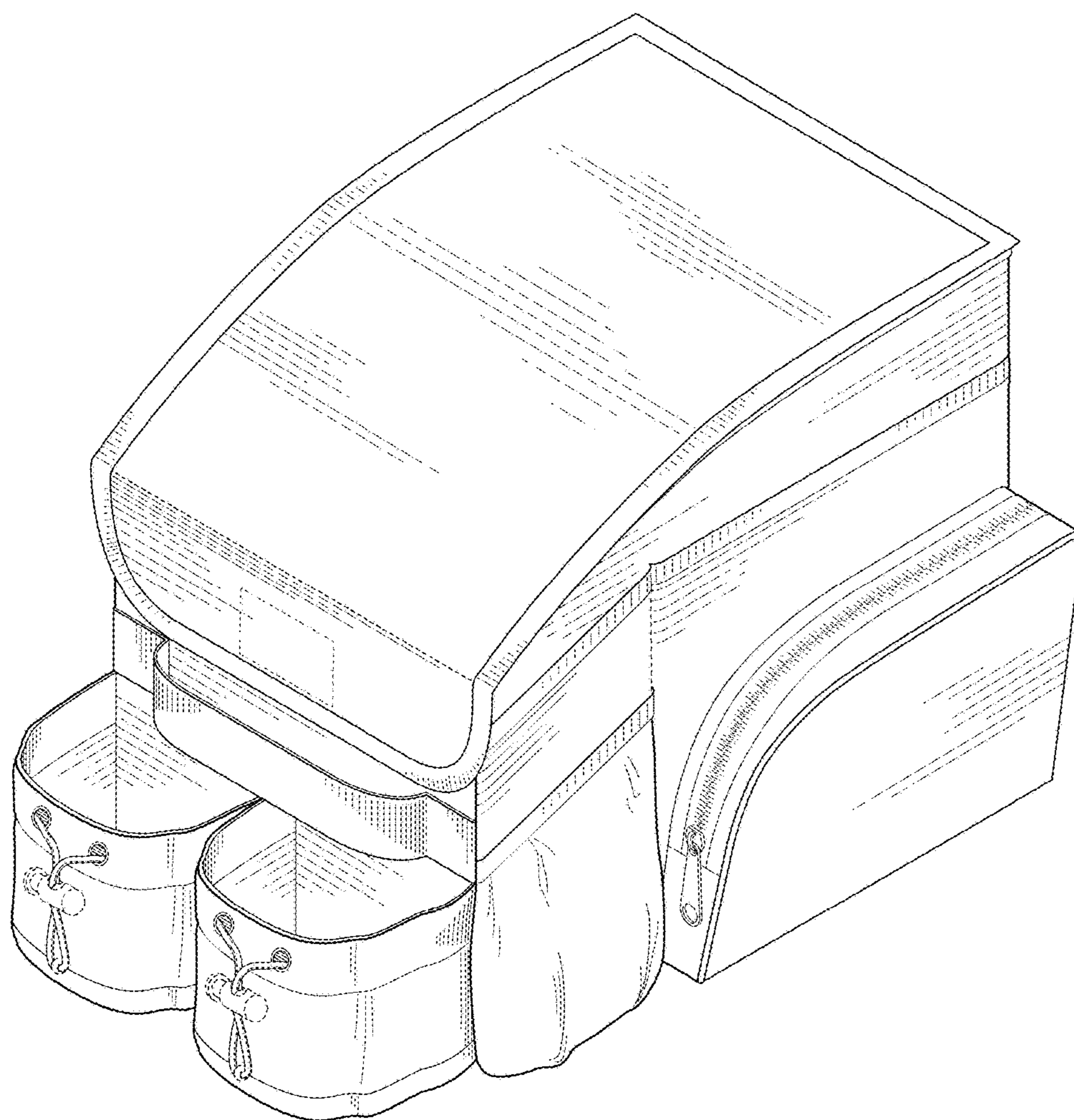


FIG. 7