



US00D851929S

(12) **United States Design Patent** (10) **Patent No.:** **US D851,929 S**
Shpitzer (45) **Date of Patent:** **** *Jun. 25, 2019**

- (54) **TOOLBOX**
- (71) Applicant: **The Stanley Works Israel Ltd.**, Rosh Ha' Ayin (IL)
- (72) Inventor: **Yaron Shpitzer**, Rishon Le'Tsiyon (IL)
- (73) Assignee: **The Stanley Works Israel Ltd.**, Rosh Ha/Ayin (IL)

D744,750	S	*	12/2015	Sabbag	D3/281
D753,394	S	*	4/2016	Brunner	D3/276
D753,396	S	*	4/2016	Brunner	D3/281
D811,084	S	*	2/2018	Ballou	D3/276
D814,187	S	*	4/2018	Caglar	D3/276
2011/0181008	A1	*	7/2011	Bensman	B25H 3/026 280/47.26
2014/0102928	A1	*	4/2014	Sabbag	B25H 3/028 206/372

- (*) Notice: This patent is subject to a terminal disclaimer.
- (**) Term: **15 Years**

- (21) Appl. No.: **29/624,487**
- (22) Filed: **Nov. 1, 2017**
- (51) **LOC (11) Cl.** **03-01**
- (52) **U.S. Cl.**
USPC **D3/276; D3/905**
- (58) **Field of Classification Search**
USPC D3/203.2, 203.3, 203.6, 273, 279, 276,
D3/284, 294, 302, 905, 274, 281, 282,
D3/283, 295
CPC B25H 3/00; B25H 3/003; B25H 3/006;
B25H 3/02-3/028; A45C 5/00; A45C
13/29
See application file for complete search history.

(56) **References Cited**
U.S. PATENT DOCUMENTS

D471,710	S	*	3/2003	Rushworth	D3/276
D640,056	S	*	6/2011	Twig	D3/281
D649,350	S	*	11/2011	Shitrit	D3/281
D668,048	S	*	10/2012	Vilkomirski	D3/281
D703,436	S	*	4/2014	Sabbag	D3/281
D709,697	S	*	7/2014	Brunner	D3/281
D738,105	S	*	9/2015	Shitrit	D3/276
D742,640	S	*	11/2015	Sabbag	D3/281

OTHER PUBLICATIONS

Home Depot, "Ridgid 22 in. Pro Tool Box, Black", First reviewed Sep. 13, 2014. (<https://www.homedepot.com/p/RIDGID-22-in-Pro-Tool-Box-Black-222570/205440481>) (Year: 2014).*

* cited by examiner

Primary Examiner — Jennifer Rivard
Assistant Examiner — April Rivas
(74) *Attorney, Agent, or Firm* — Bruce S. Shapiro

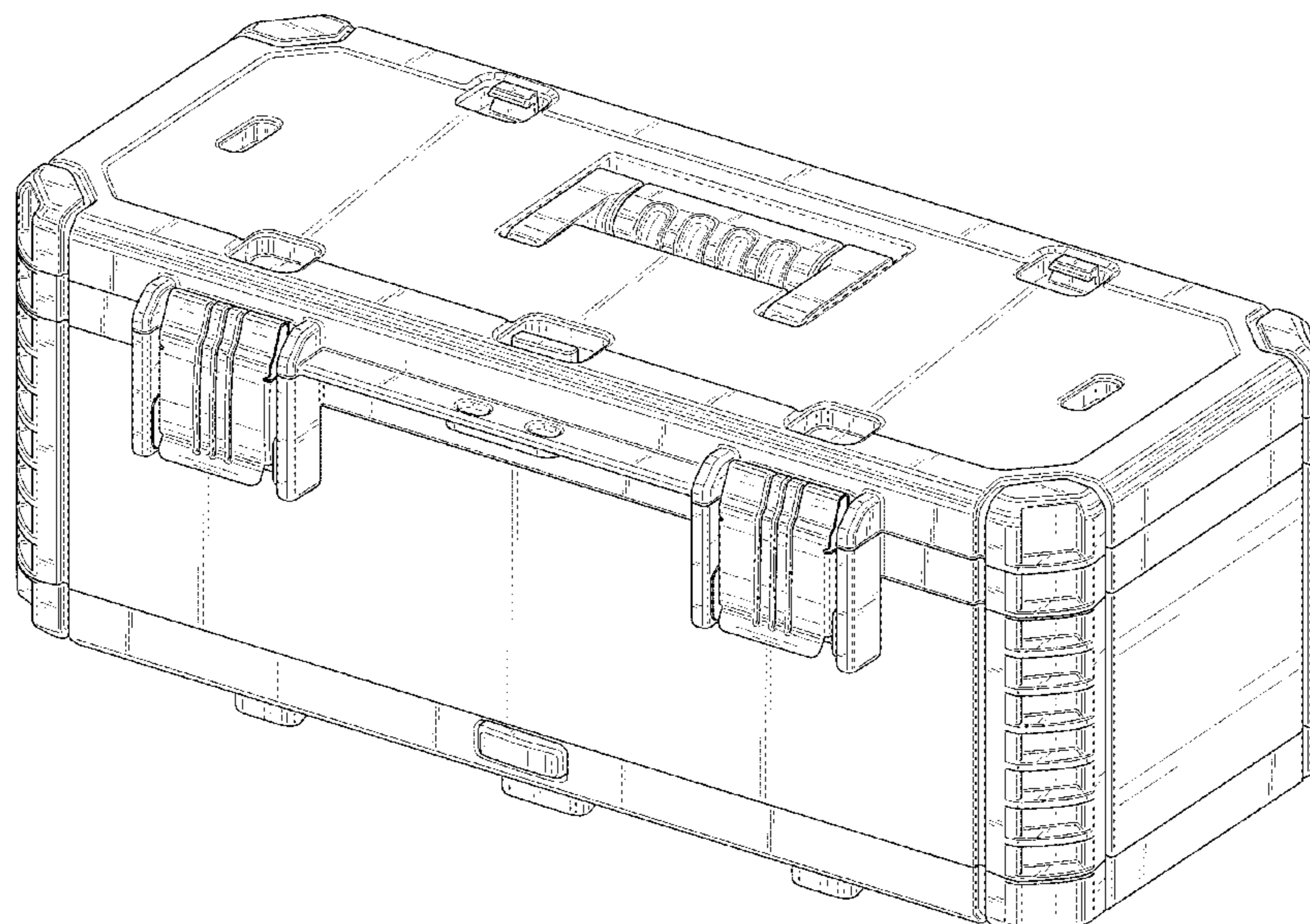
(57) **CLAIM**

The ornamental design for a toolbox, as shown and described.

DESCRIPTION

FIG. 1 is a perspective view of the top side of my new design.
FIG. 2 is a front side elevational view.
FIG. 3 is a back side elevational view thereof.
FIG. 4 is a left side elevational view thereof.
FIG. 5 is a right side elevational view thereof.
FIG. 6 is a top plan view thereof.
FIG. 7 is a bottom plan view thereof; and,
FIG. 8 is a perspective view of the bottom side thereof.
The broken lines illustrate portions of the toolbox and form no part of the claimed design.

1 Claim, 8 Drawing Sheets



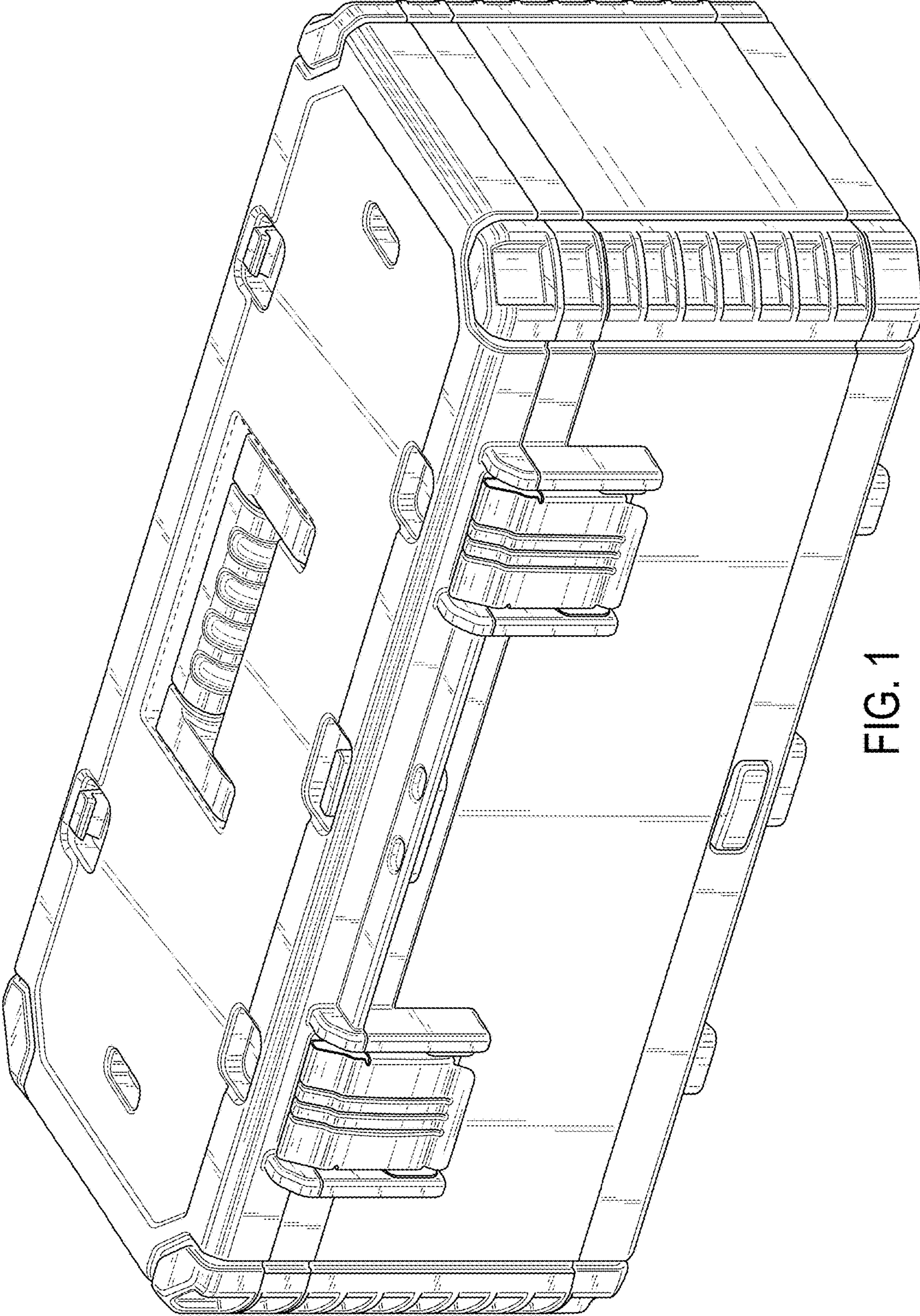


FIG. 1

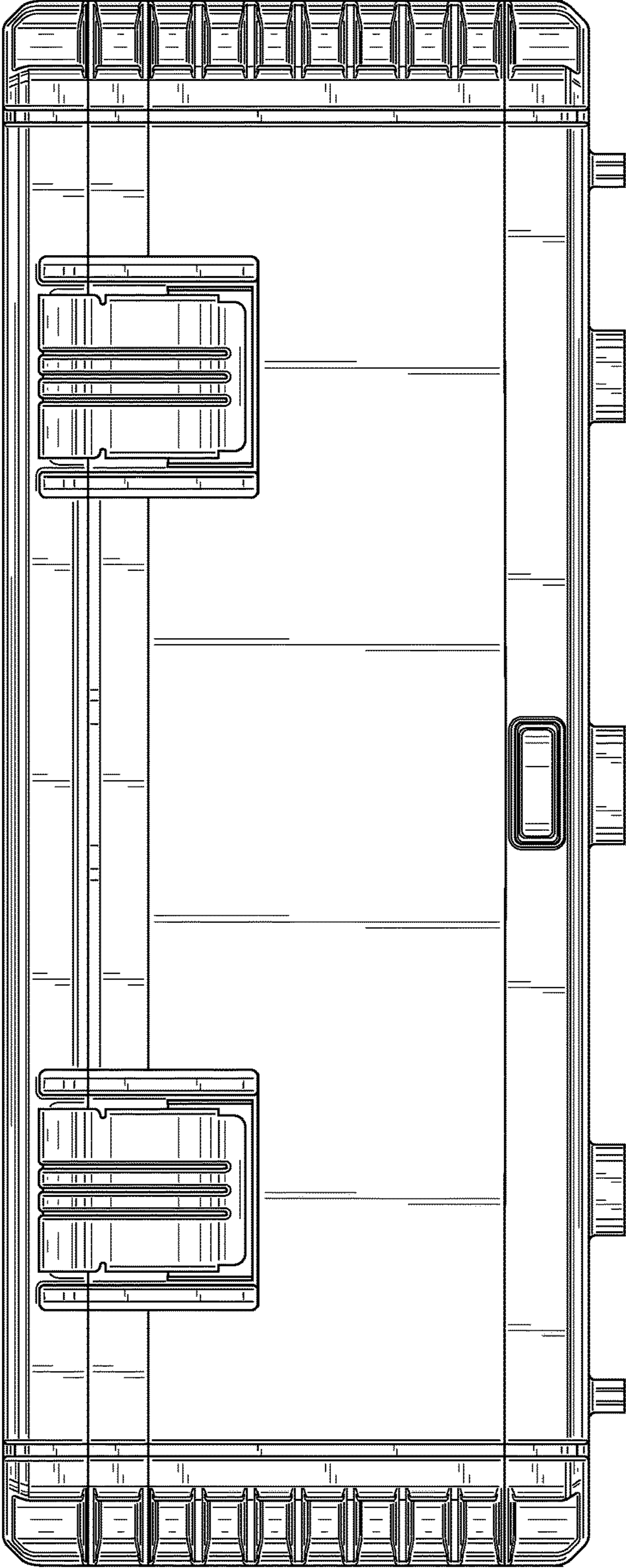


FIG. 2

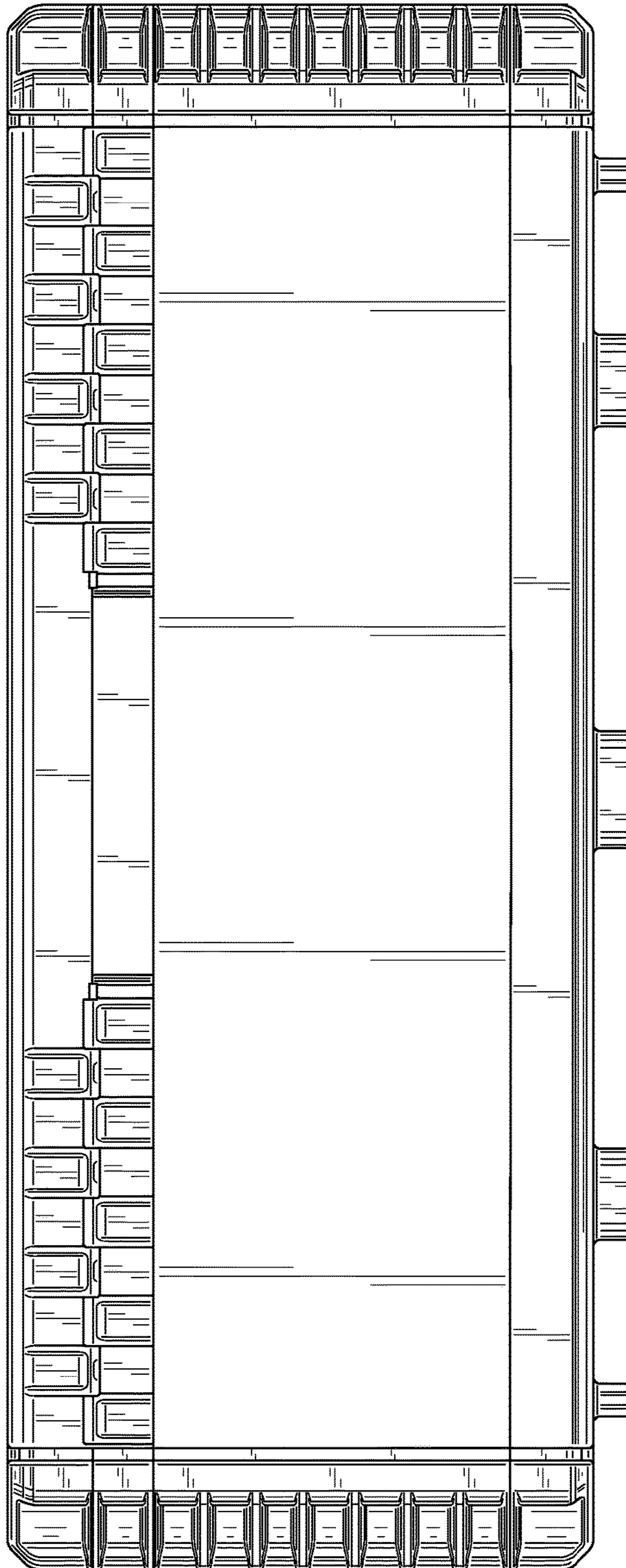


FIG. 3

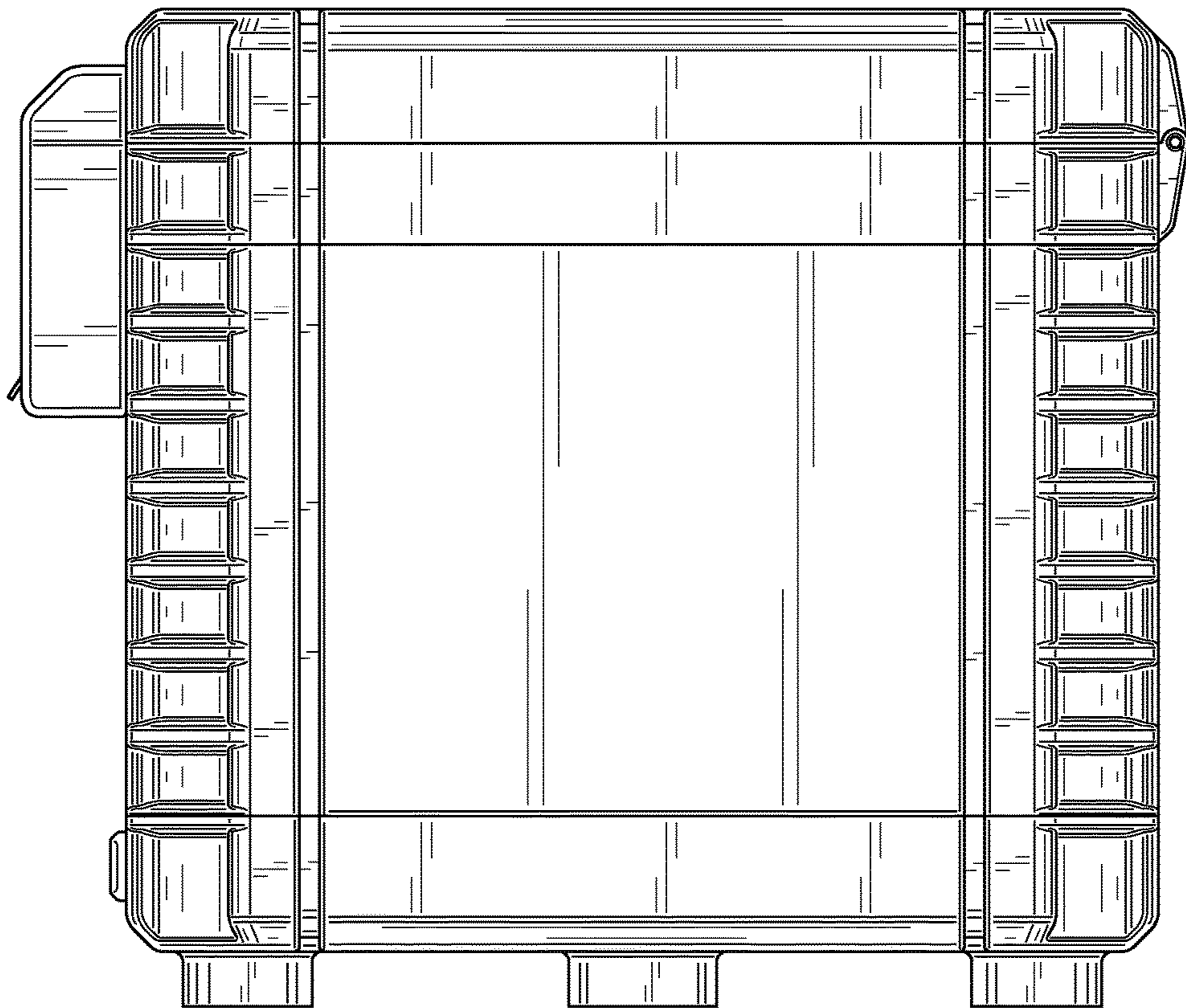


FIG. 4

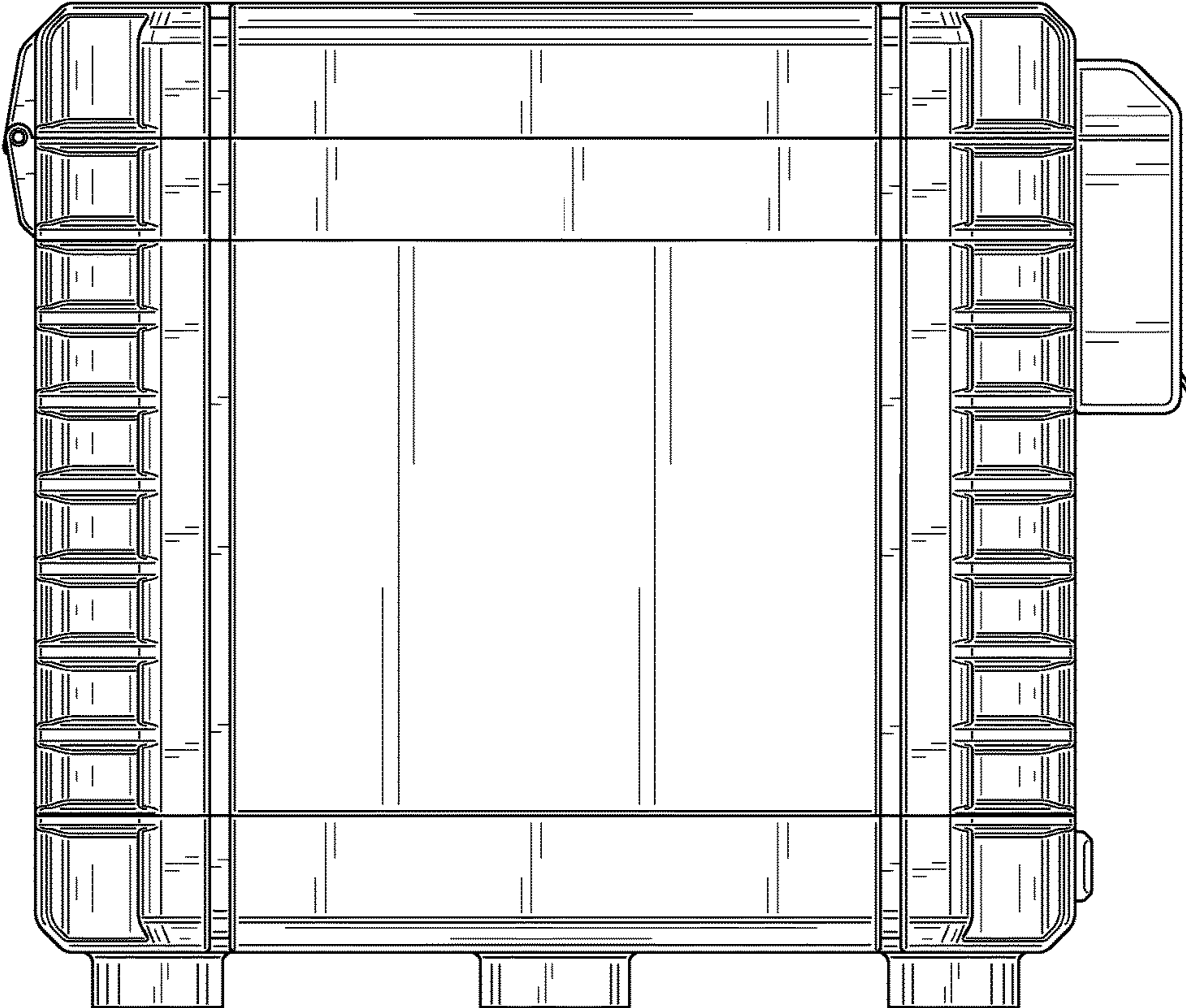


FIG. 5

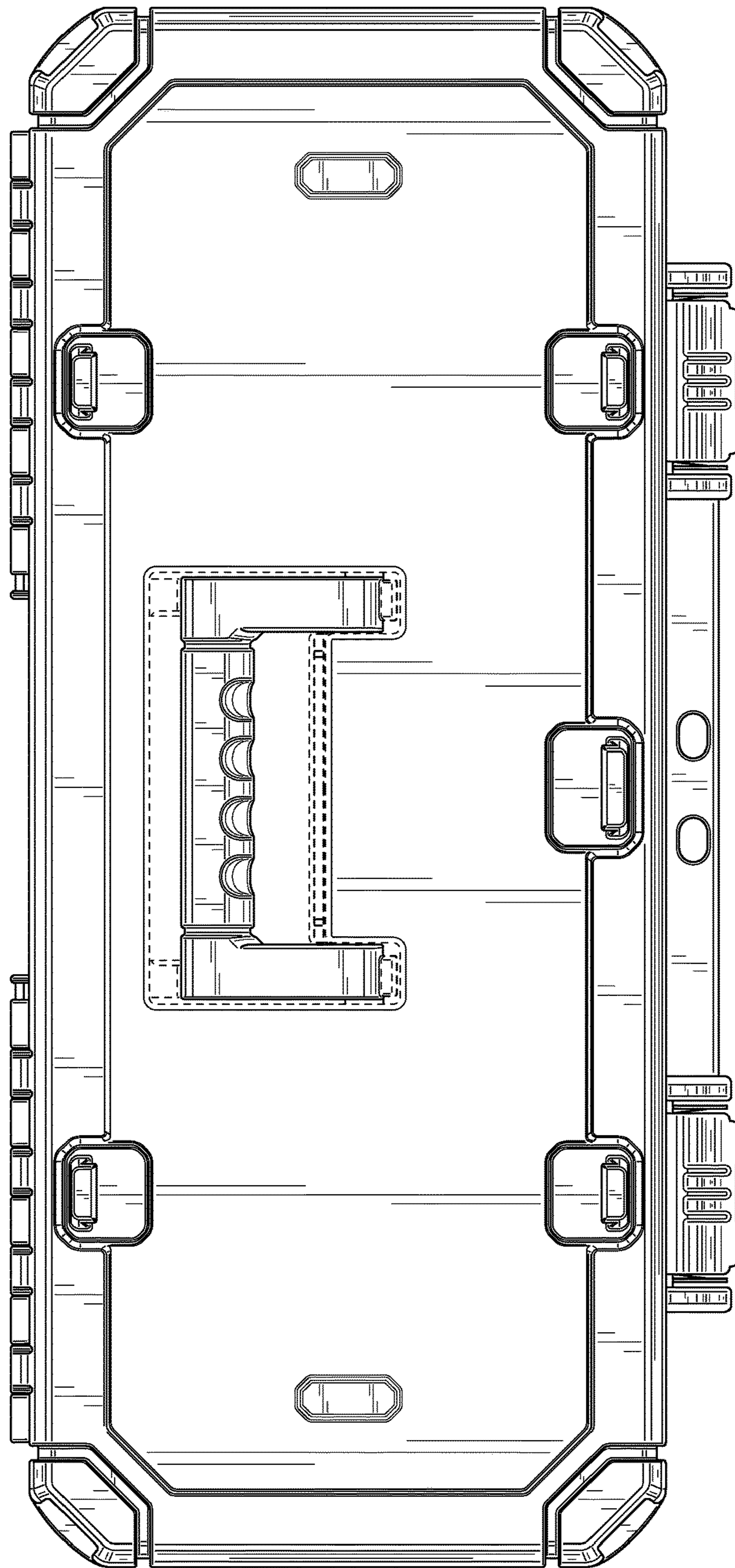


FIG. 6

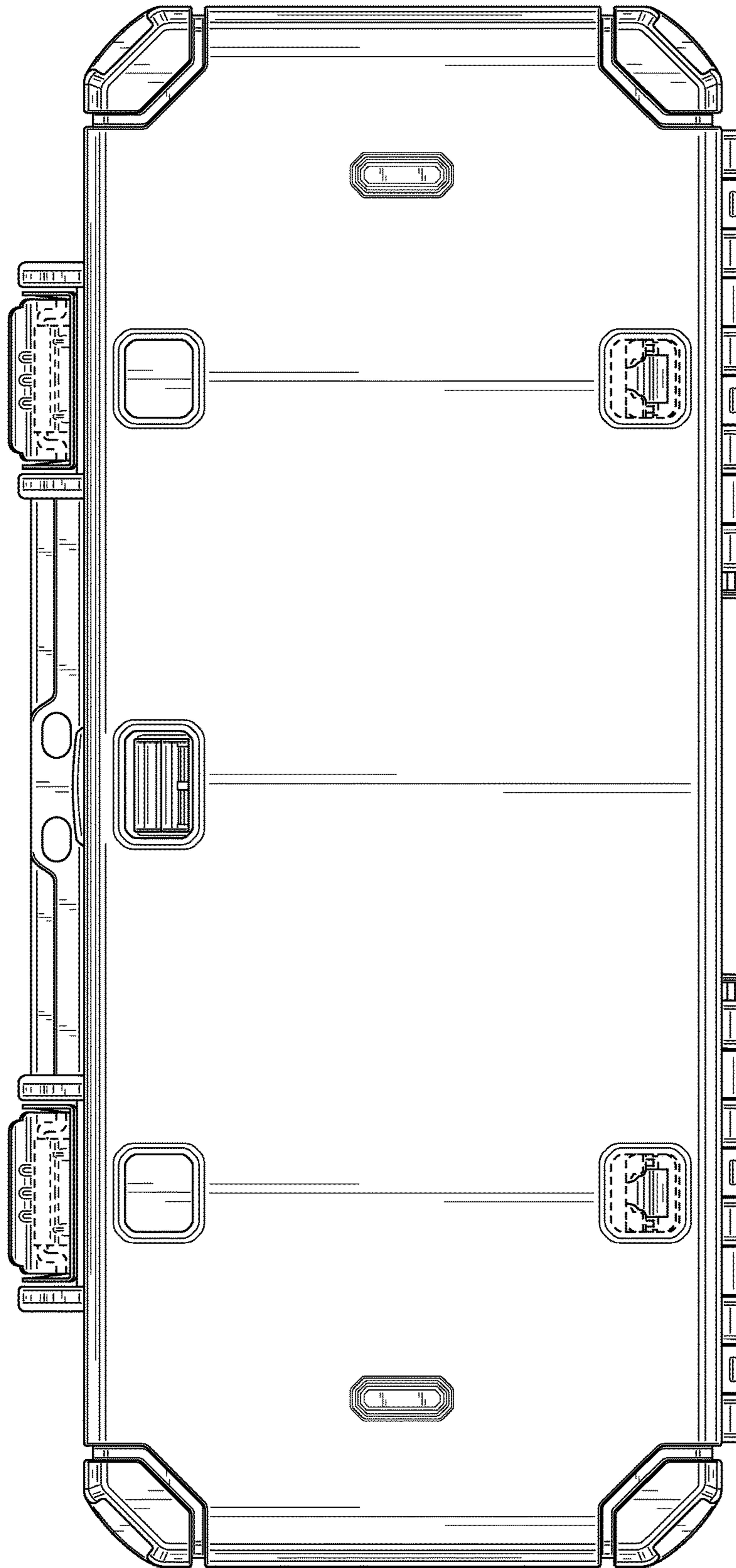


FIG. 7

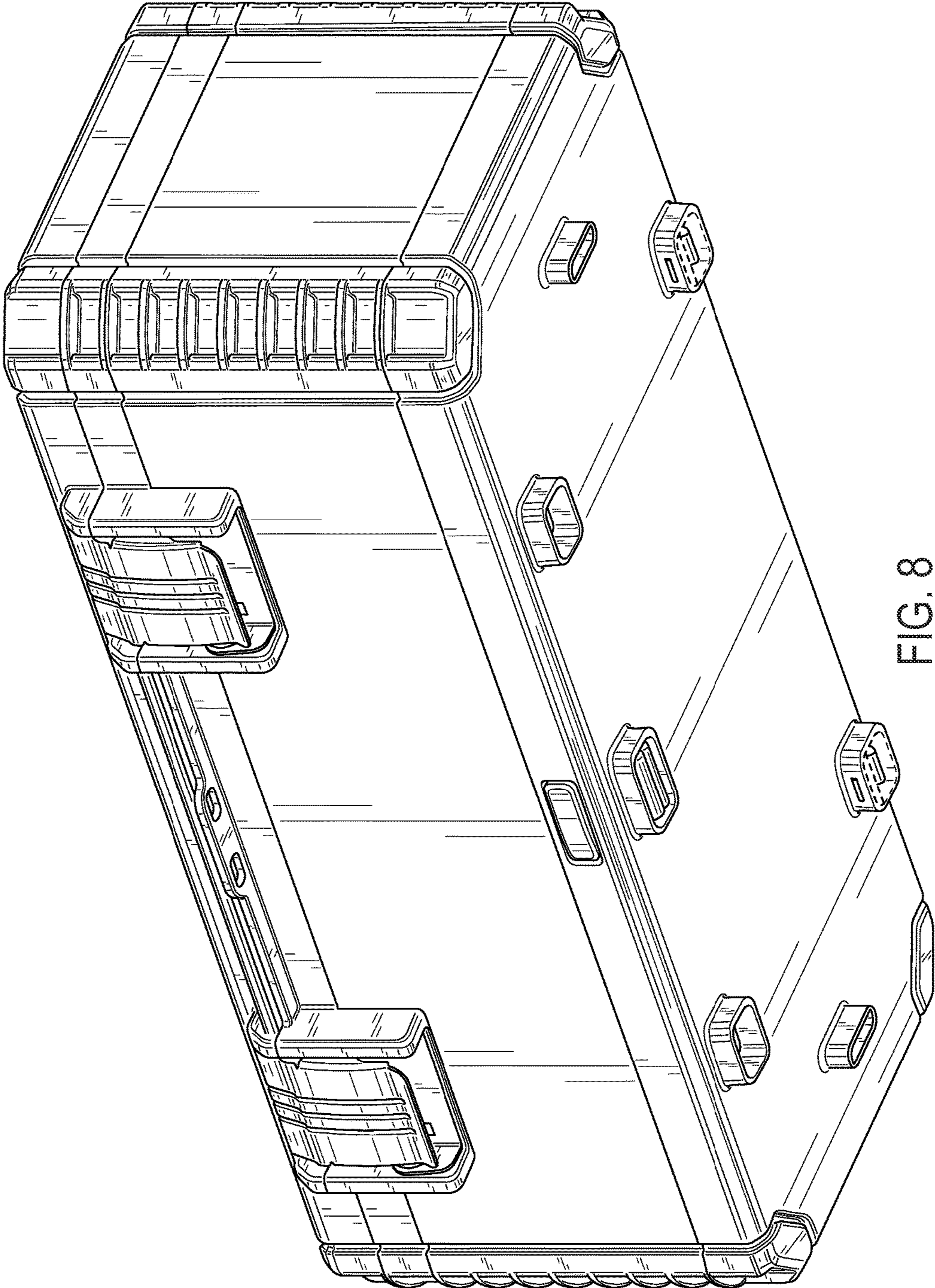


FIG. 8