



US00D851927S

(12) **United States Design Patent**  
**Ormsby et al.**

(10) **Patent No.:** **US D851,927 S**  
(45) **Date of Patent:** **\*\* Jun. 25, 2019**

(54) **DIAPER BAG**

(71) Applicant: **The Natural Baby Comapny, LLC**,  
Bozeman, MT (US)

(72) Inventors: **Kim Ormsby**, Bozeman, MT (US); **Sky  
Sterry**, Bozeman, MT (US); **Trisha  
Wookey**, Bozeman, MT (US)

(\*\*) Term: **15 Years**

(21) Appl. No.: **29/649,501**

(22) Filed: **May 30, 2018**

(51) **LOC (11) Cl.** ..... **03-03**

(52) **U.S. Cl.**  
USPC ..... **D3/246**

(58) **Field of Classification Search**  
USPC ..... D3/205, 233, 246, 287  
CPC .... A45F 3/04; A47D 5/00; A45C 3/08; B65D  
69/00

See application file for complete search history.

(56) **References Cited**

**U.S. PATENT DOCUMENTS**

4,739,809	A	4/1988	Adams	
D377,415	S *	1/1997	Jacobs	D3/206
6,047,752	A	4/2000	Southwick	
6,298,993	B1	10/2001	Kalozdi	
D523,632	S *	6/2006	Handley	D3/246
D582,152	S *	12/2008	Rappaport	D3/233
D602,688	S	10/2009	Smith	
D609,008	S *	2/2010	Diamant	D3/243
8,001,803	B2	8/2011	Kanagaki	
8,002,115	B2 *	8/2011	Rappaport	A45C 15/00 150/112
8,490,230	B2	7/2013	Rovin	
D693,573	S *	11/2013	Holefleisch	D3/243
9,032,572	B1 *	5/2015	Leach	A47D 15/003 5/655
9,433,278	B2 *	9/2016	Donahue	A45F 3/042

9,771,183 B1 9/2017 Oliver  
2003/0024960 A1 2/2003 Greenstein et al.  
2008/0060972 A1\* 3/2008 Rappaport ..... A45C 3/06  
206/581

(Continued)

*Primary Examiner* — Charles D Hanson

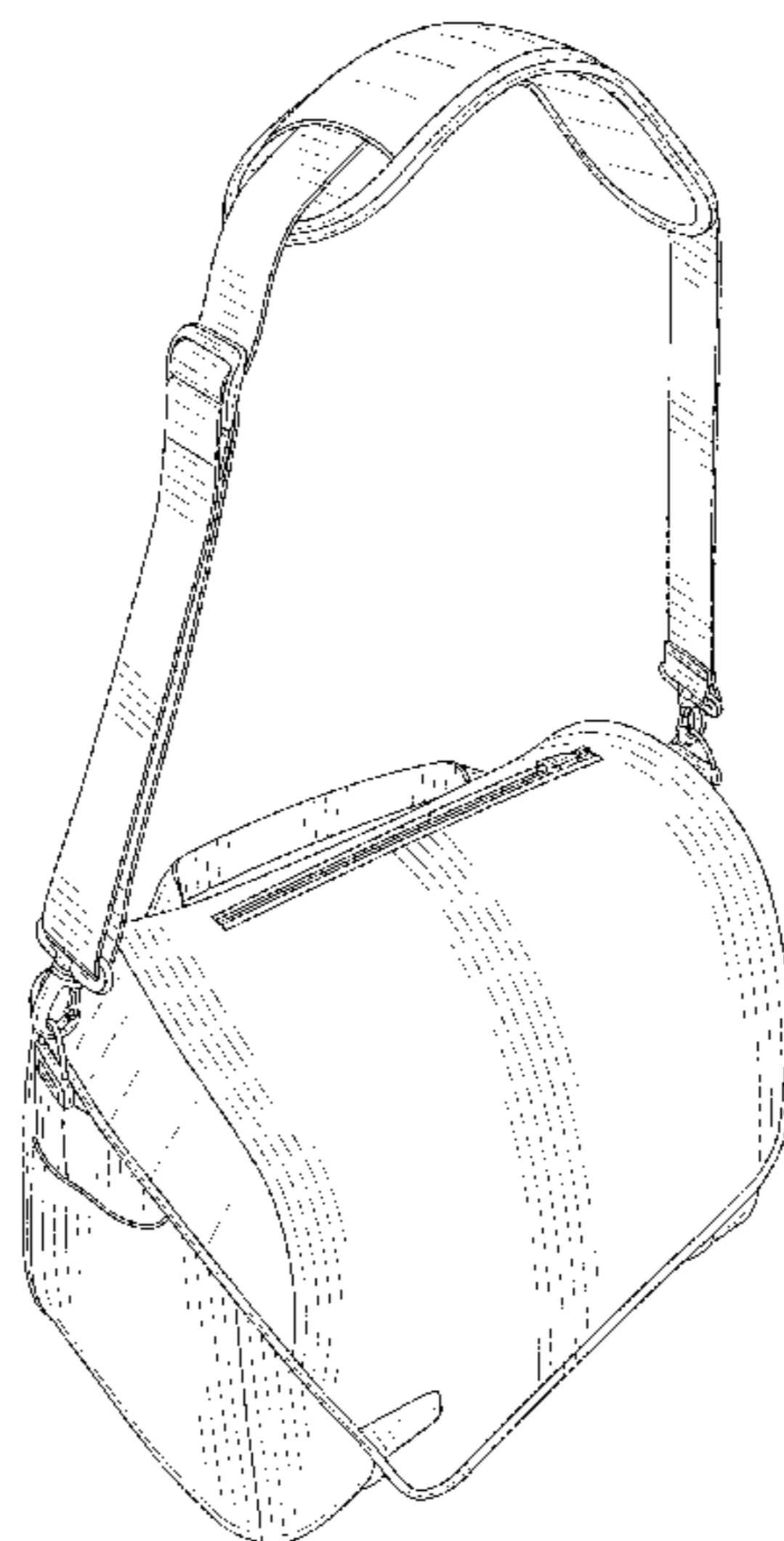
(57) **CLAIM**

The design for a diaper bag, as shown and described.

**DESCRIPTION**

FIG. 1 is a perspective view of a diaper bag showing the new design with the bag in a closed position.  
 FIG. 2 is a front view of a diaper bag showing the new design with the bag in a closed position.  
 FIG. 3 is a rear view of a diaper bag showing the new design with the bag in a closed position.  
 FIG. 4 is a first side view of a diaper bag showing the new design with the bag in a closed position.  
 FIG. 5 is a second side view of a diaper bag showing the new design with the bag in a closed position.  
 FIG. 6 is a top view of a diaper bag showing the new design with the bag in a closed position.  
 FIG. 7 is a bottom view of a diaper bag showing the new design with the bag in a closed position.  
 FIG. 8 is a perspective view of a diaper bag showing the new design with the bag in an open position.  
 FIG. 9 is a front view of a diaper bag showing the new design with the bag in an open position.  
 FIG. 10 is a rear view of a diaper bag showing the new design with the bag in an open position.  
 FIG. 11 is a first side view of a diaper bag showing the new design with the bag in an open position.  
 FIG. 12 is a second side view of a diaper bag showing the new design with the bag in an open position.  
 FIG. 13 is a top view of a diaper bag showing the new design with the bag in an open position; and,  
 FIG. 14 is a bottom view of a diaper bag showing the new design with the bag in an open position.

**1 Claim, 14 Drawing Sheets**



(56)

**References Cited**

U.S. PATENT DOCUMENTS

2009/0320516 A1 12/2009 Kanagaki  
2010/0078099 A1\* 4/2010 Armstrong ..... A45C 3/08  
150/105  
2011/0309121 A1 12/2011 Dooley et al.  
2011/0314608 A1 12/2011 Rovin  
2012/0103480 A1 5/2012 Veleno et al.  
2014/0091007 A1 4/2014 Garside

\* cited by examiner

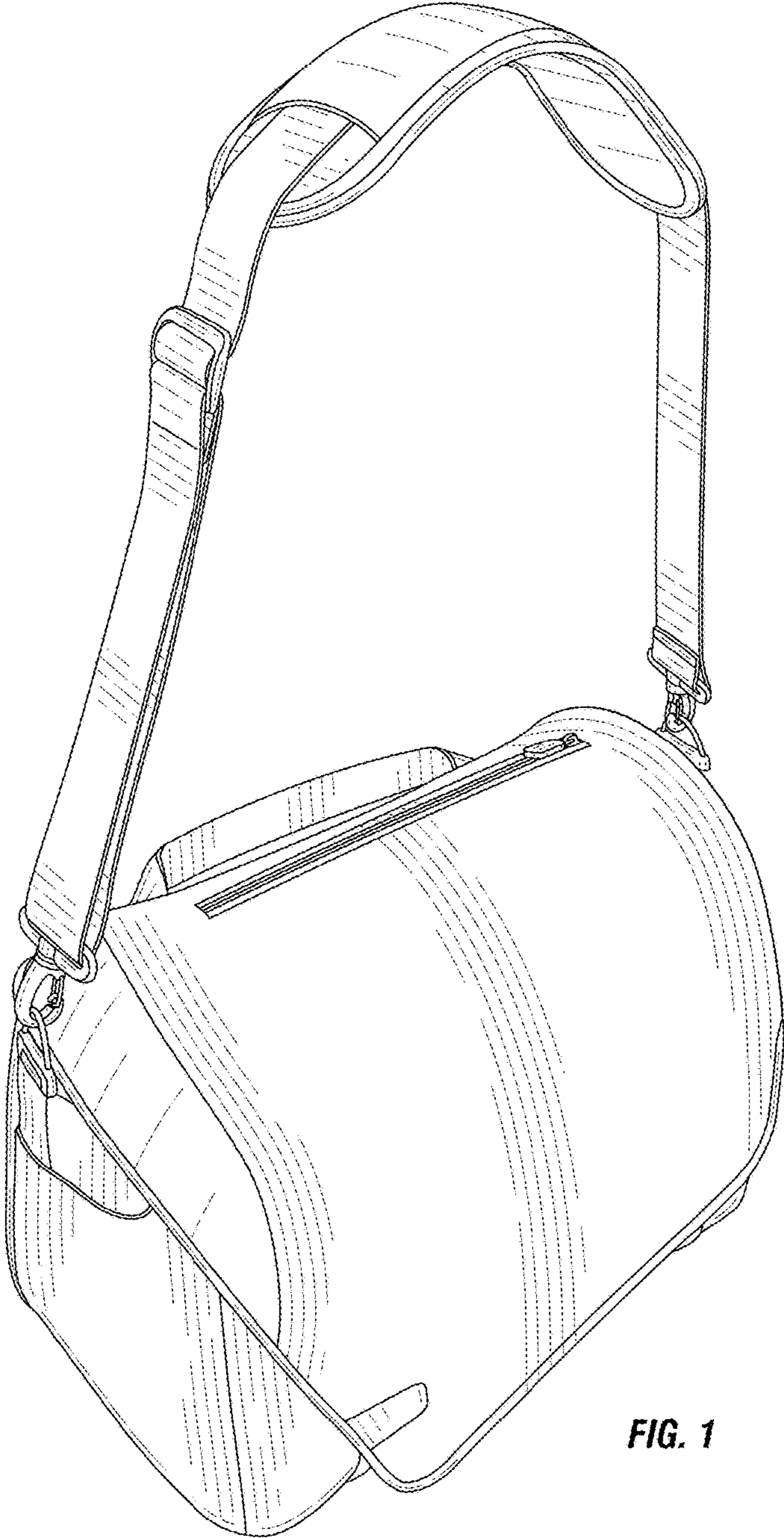
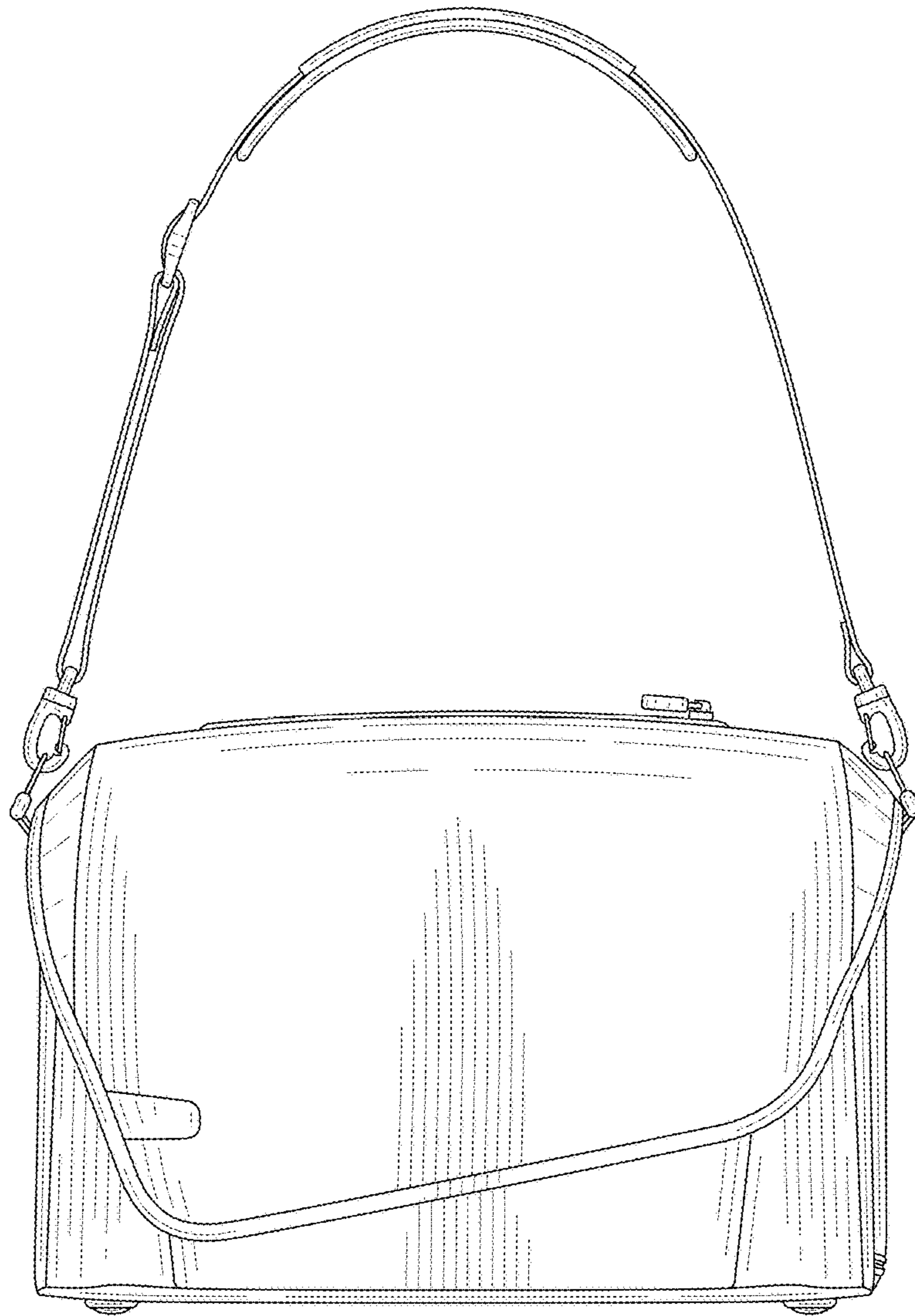


FIG. 1



**FIG. 2**

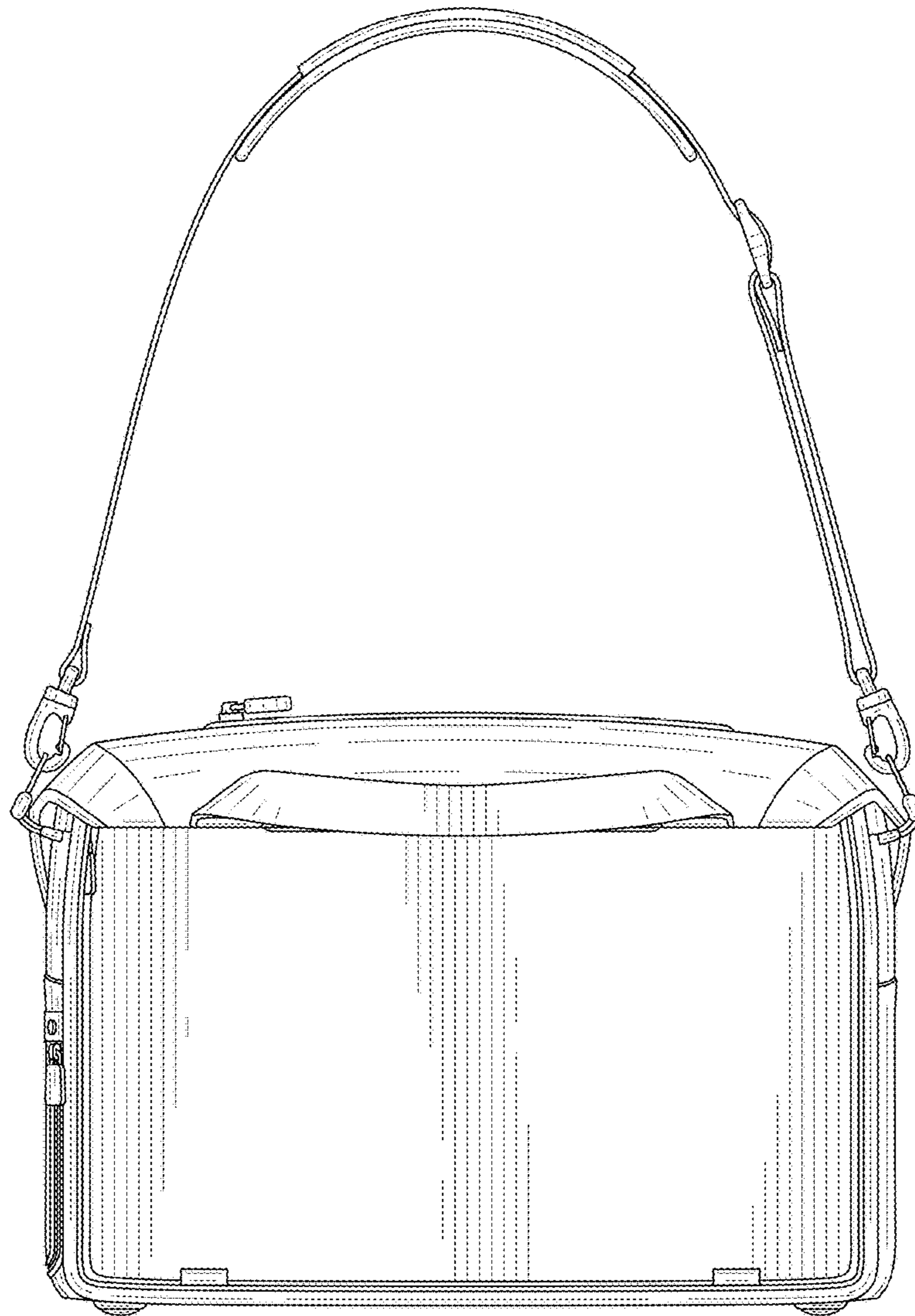
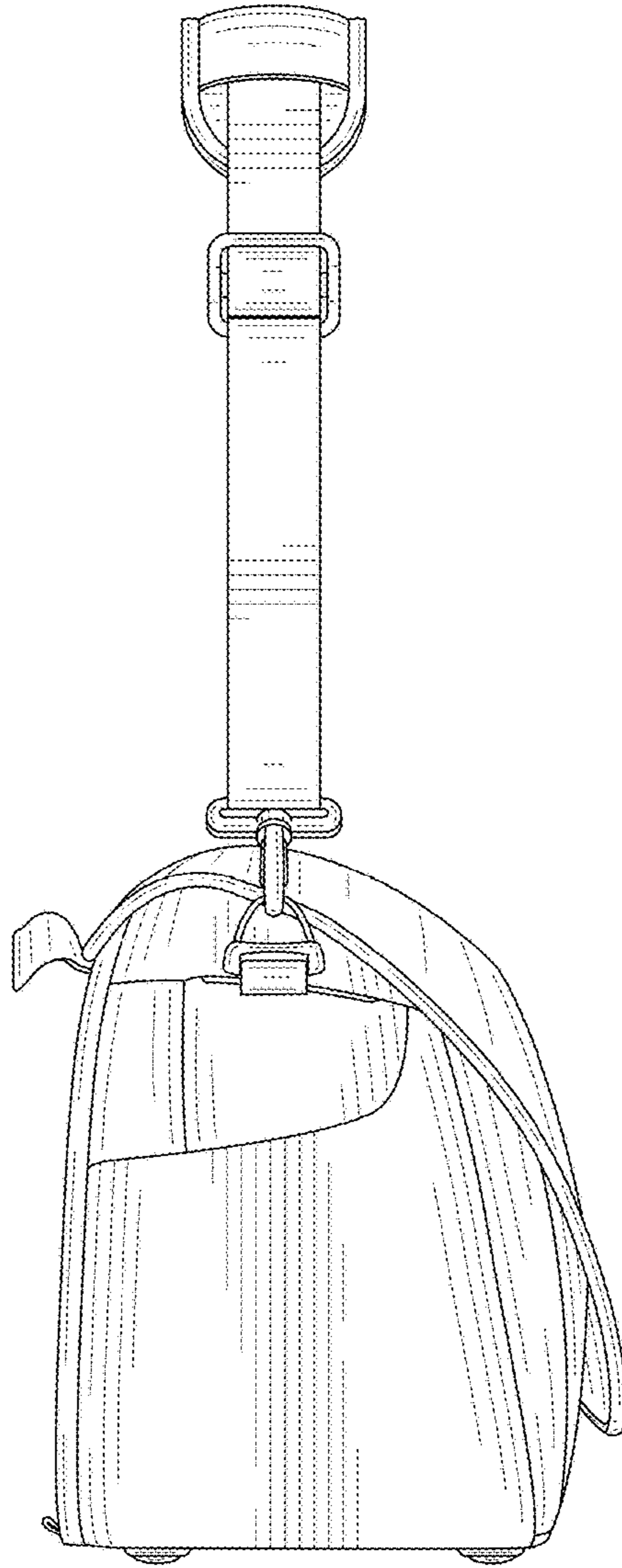


FIG. 3



**FIG. 4**

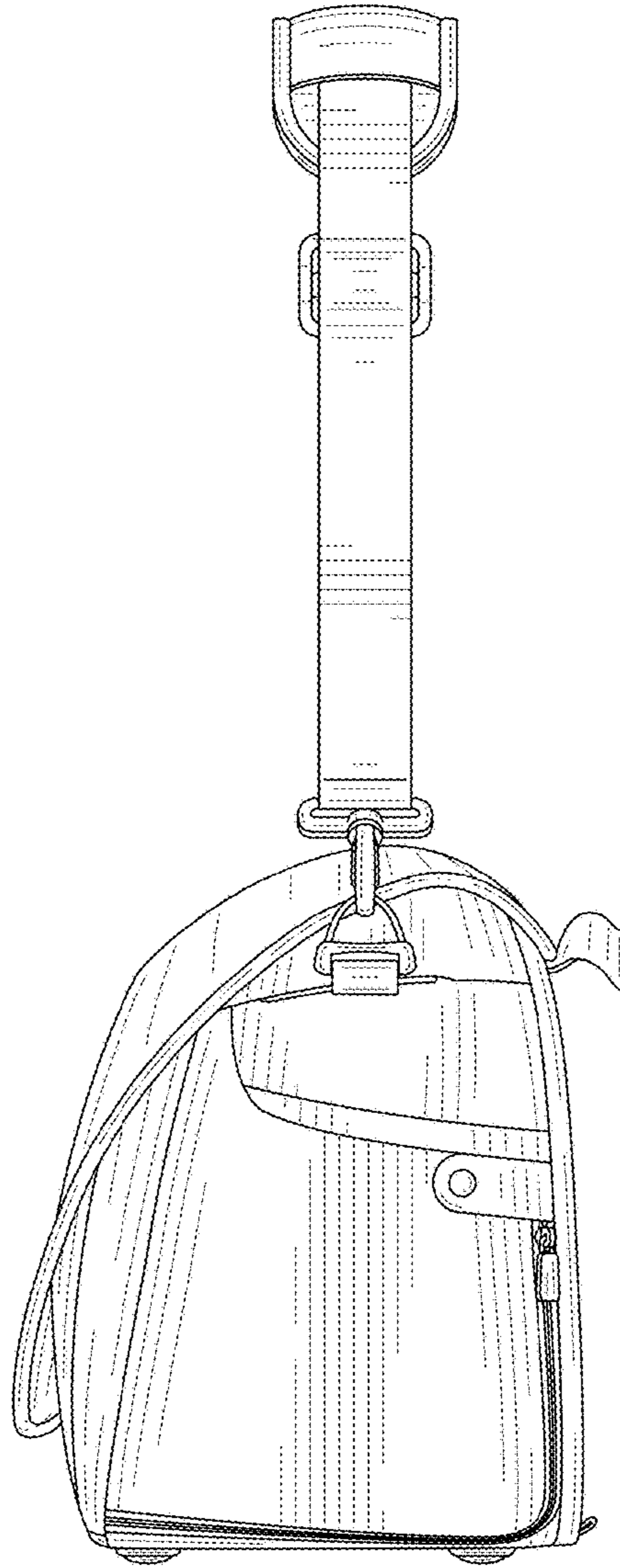
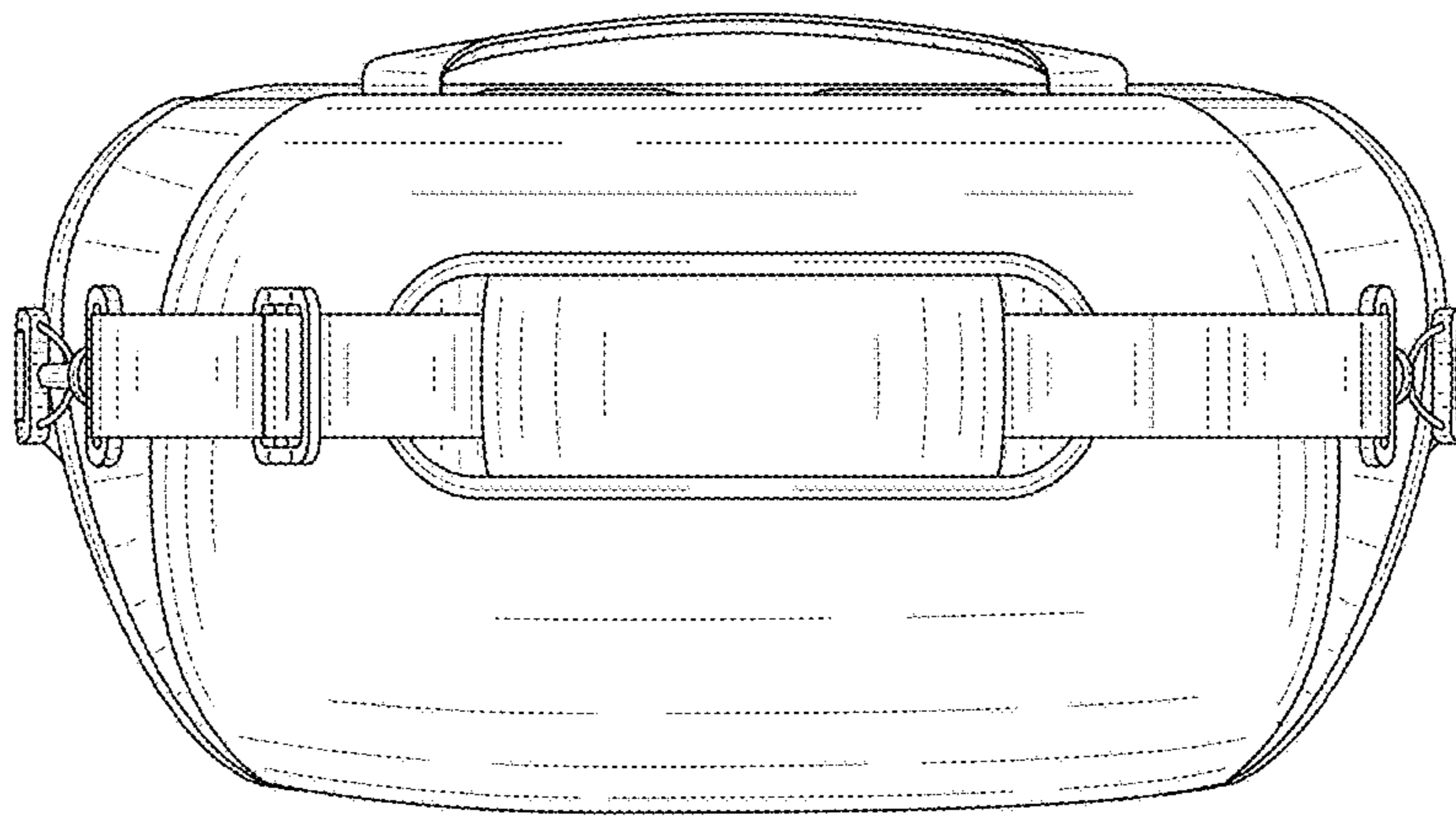
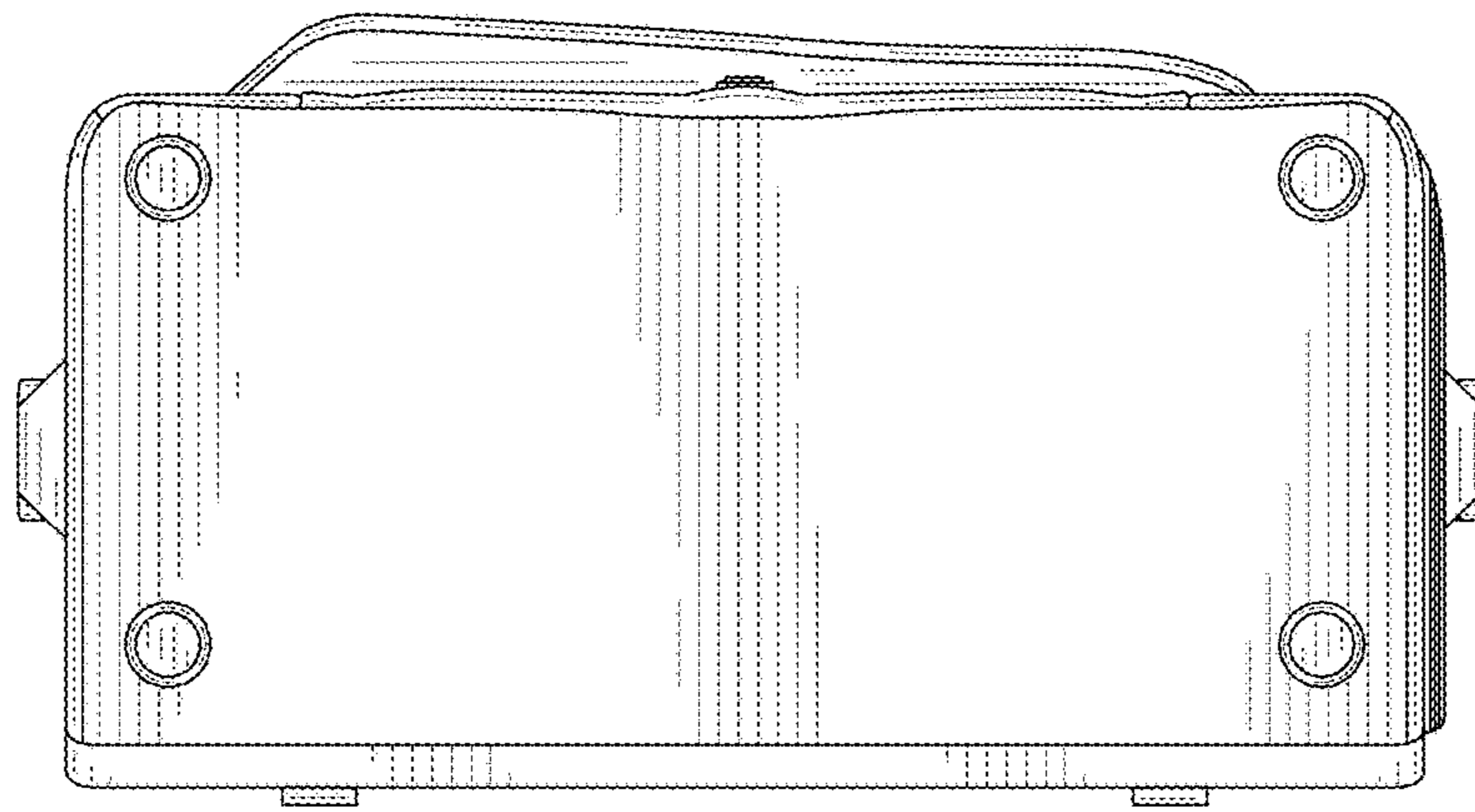


FIG. 5

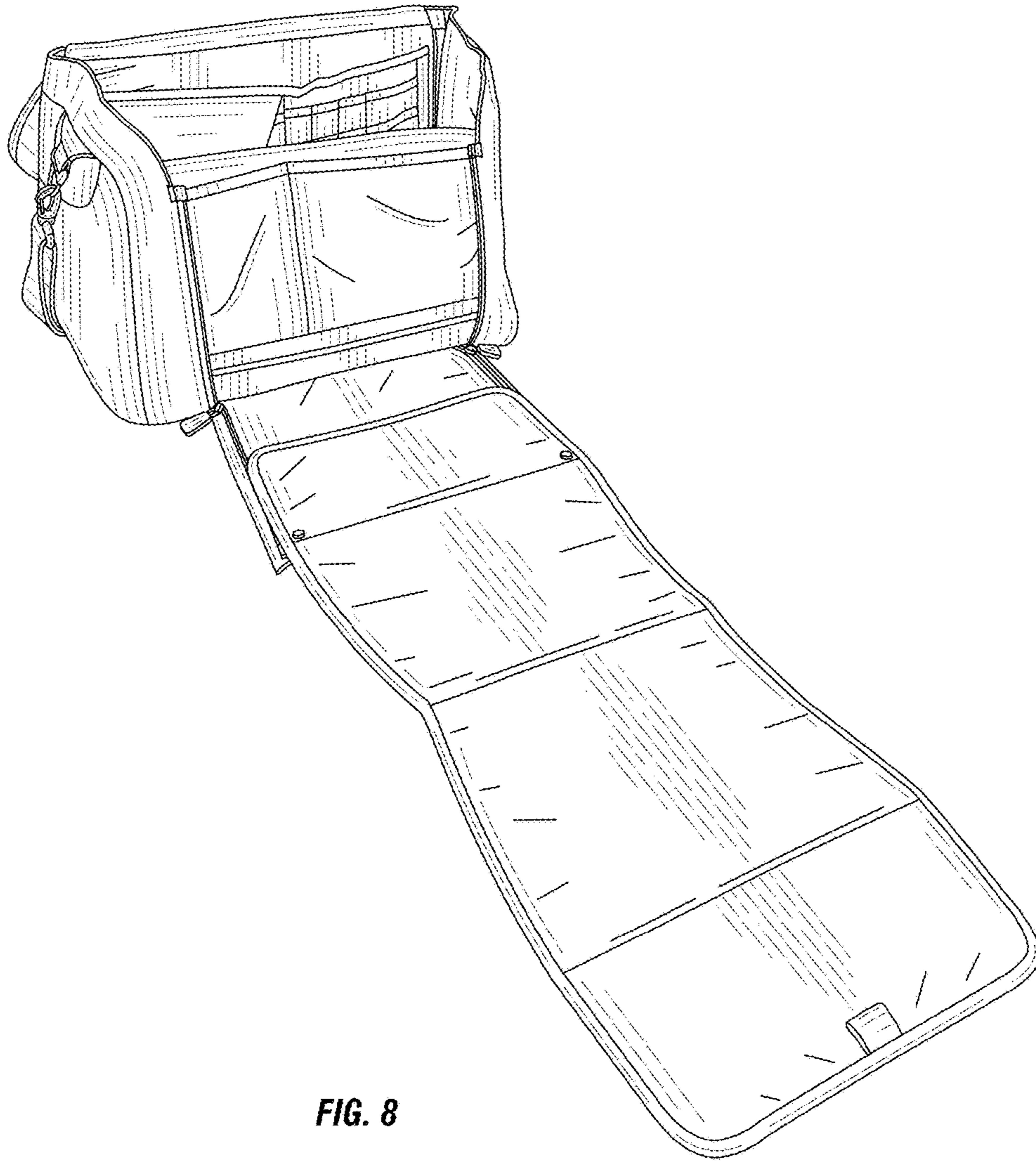


**FIG. 6**

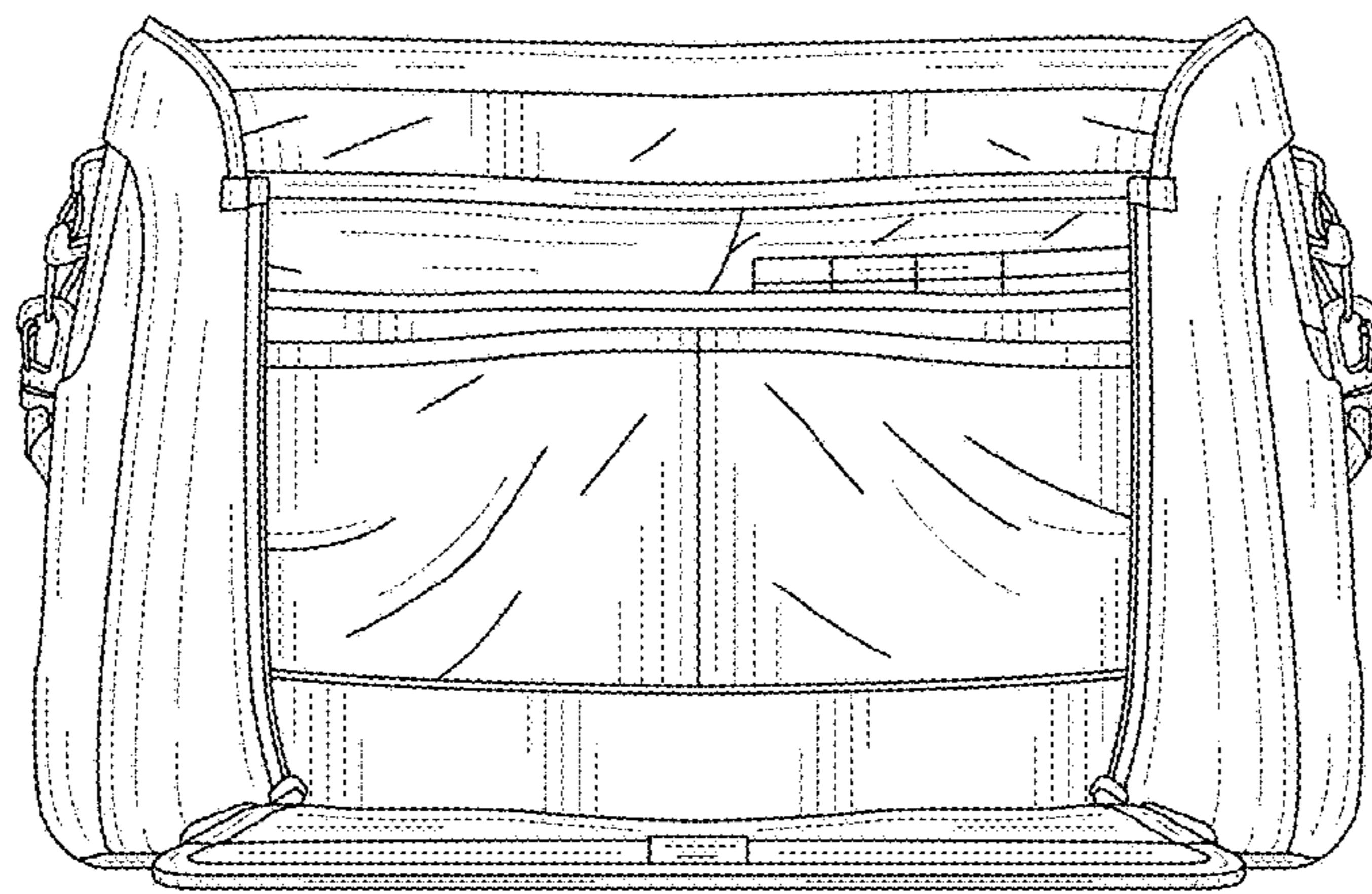




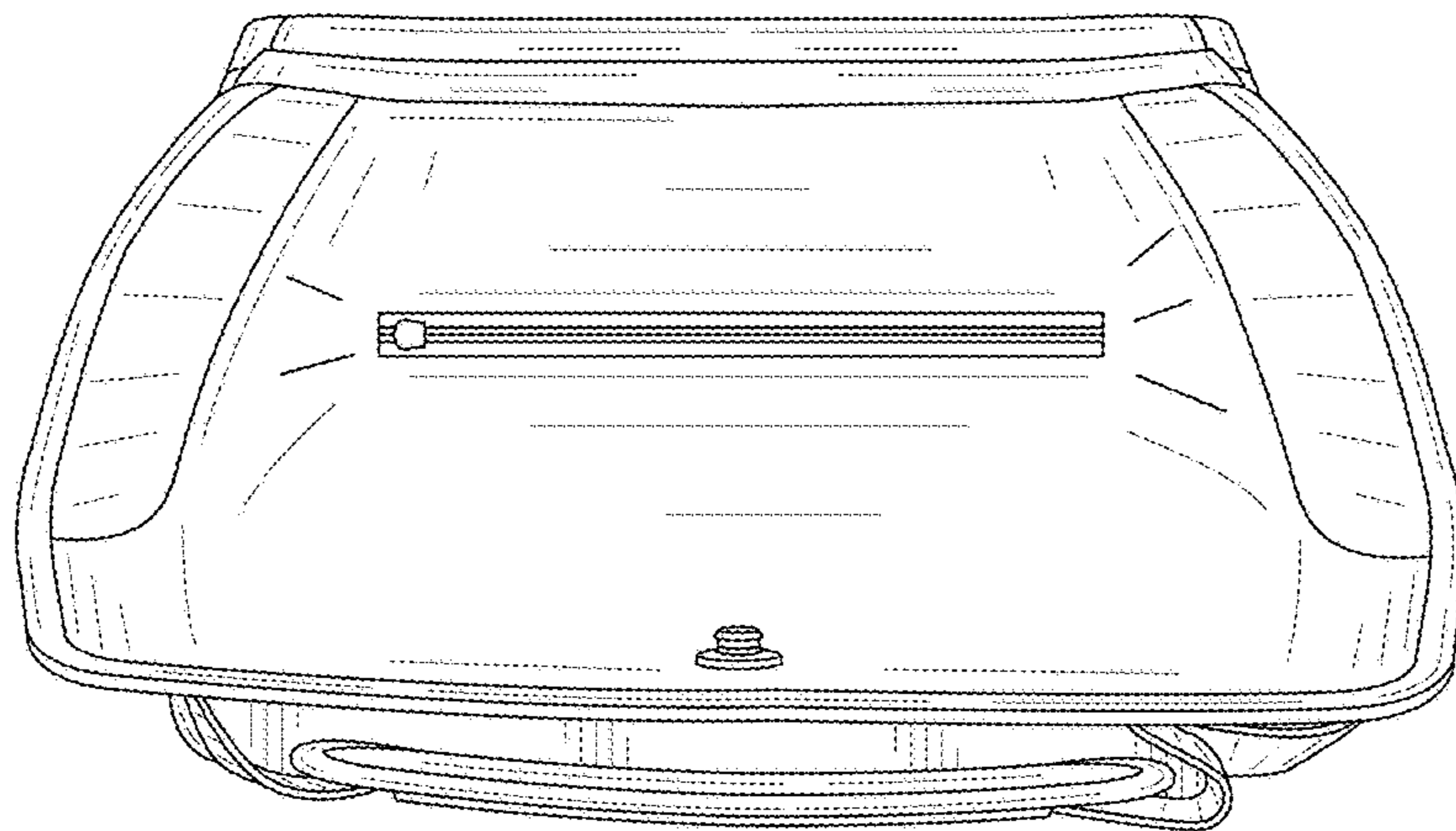
**FIG. 7**



**FIG. 8**



**FIG. 9**



**FIG. 10**

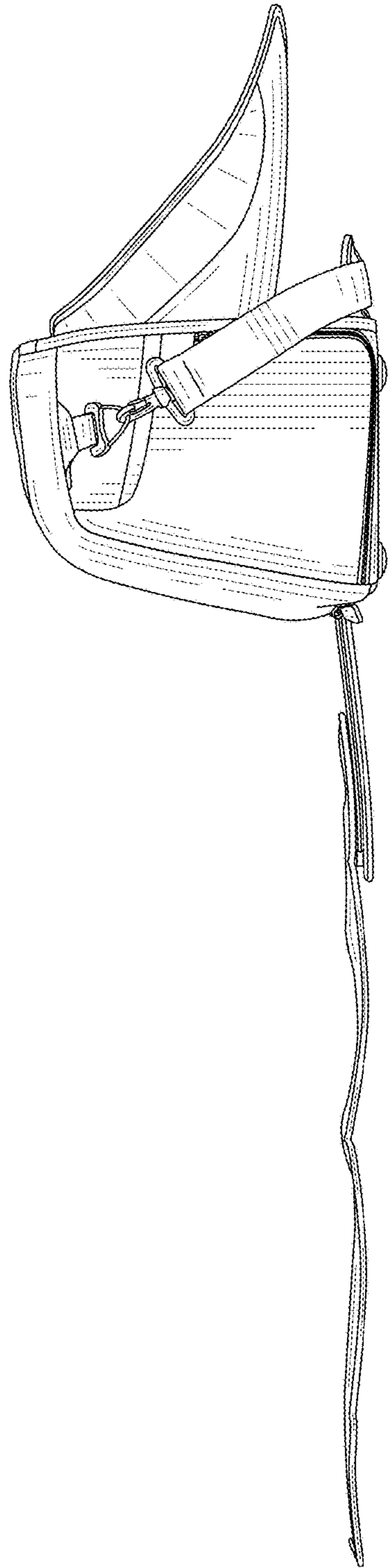


FIG. 11

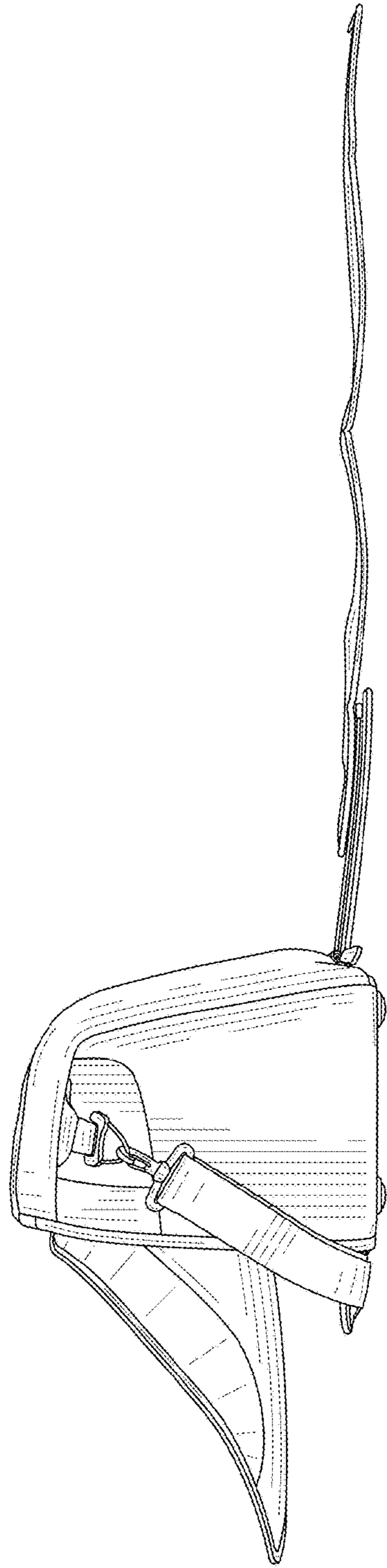


FIG. 12

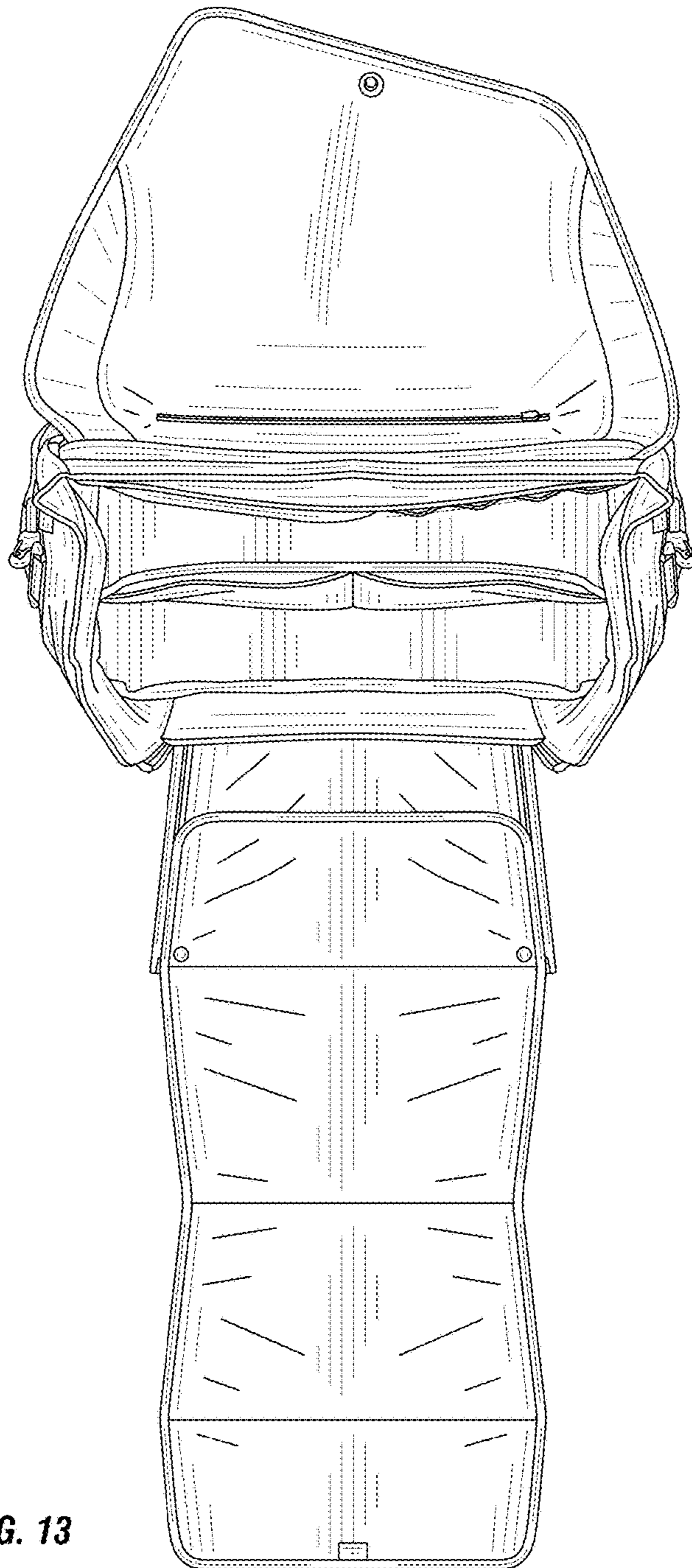


FIG. 13

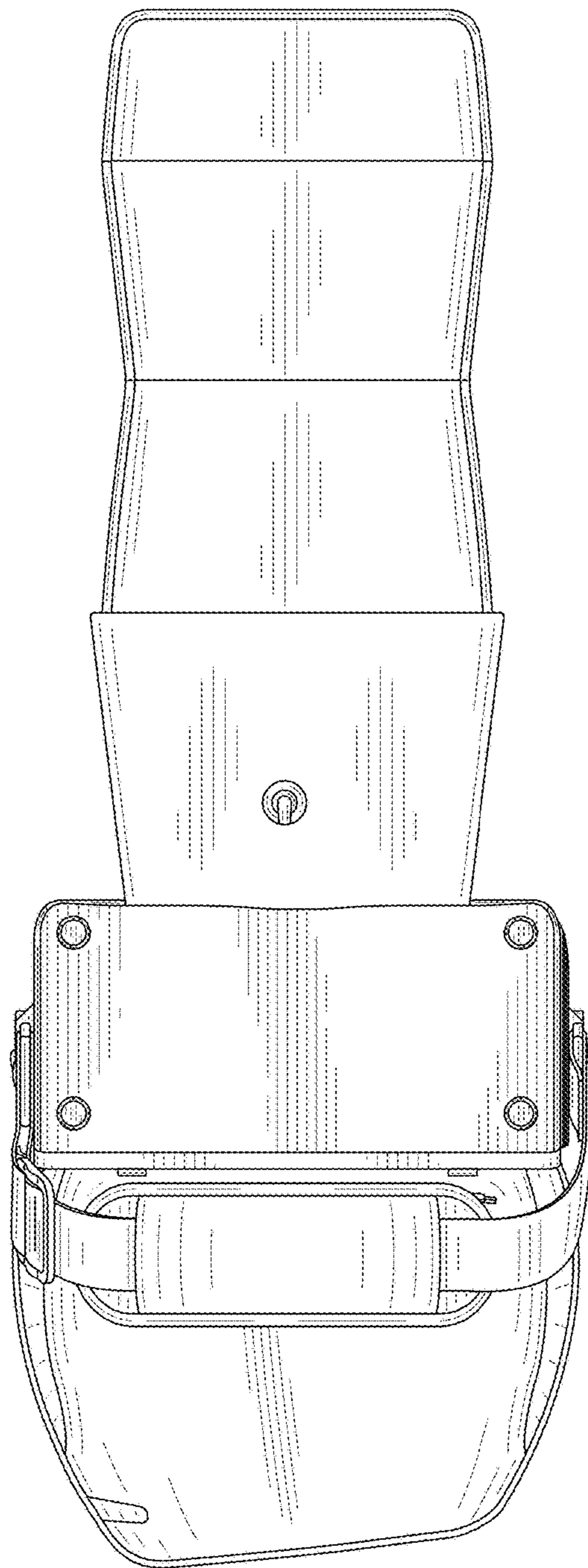


FIG. 14