



US00D851923S

(12) **United States Design Patent**  
**Dumas**

(10) **Patent No.:** **US D851,923 S**

(45) **Date of Patent:** **\*\* Jun. 25, 2019**

(54) **CLUTCH BAG**

(71) Applicant: **HERMES SELLIER (SOCIÉTÉ PAR ACTIONS SIMPLIFIÉE)**, Paris (FR)

(72) Inventor: **Pierre-Alexis Dumas**, Paris (FR)

(\*\*) Term: **15 Years**

(21) Appl. No.: **35/504,395**

(22) Filed: **Jan. 19, 2018**

(80) **Hague Agreement Data**

Int. Filing Date: **Jan. 19, 2018**

Int. Reg. No.: **DM/099413**

Int. Reg. Date: **Jan. 19, 2018**

Int. Reg. Pub. Date: **Feb. 9, 2018**

(51) **LOC (11) Cl.** ..... **03-01**

(52) **U.S. Cl.**  
USPC ..... **D3/232**

(58) **Field of Classification Search**

USPC ..... D3/232–233, 240–243, 274, 276, 287,  
D3/289, 290, 299, 301, 318, 324, 328

CPC ..... A45C 5/04; A45C 11/00; A45C 11/16;  
A45C 3/06; A54C 1/024

See application file for complete search history.

(56) **References Cited**

**U.S. PATENT DOCUMENTS**

D582,665 S \* 12/2008 Gonzalez ..... D3/232  
D616,646 S \* 6/2010 Dolce ..... D3/243

D624,311 S \* 9/2010 Krakoff ..... D3/232  
D663,117 S \* 7/2012 Schiffman ..... D3/232  
D715,539 S \* 10/2014 Bauer ..... D3/232  
D727,027 S \* 4/2015 Winters ..... D3/301  
D764,164 S \* 8/2016 Louboutin ..... D3/245  
D765,968 S \* 9/2016 Becklund ..... D3/232  
D795,572 S \* 8/2017 Hance ..... D3/245  
D811,732 S \* 3/2018 Barclay ..... D3/232

\* cited by examiner

*Primary Examiner* — Holly E Thurman

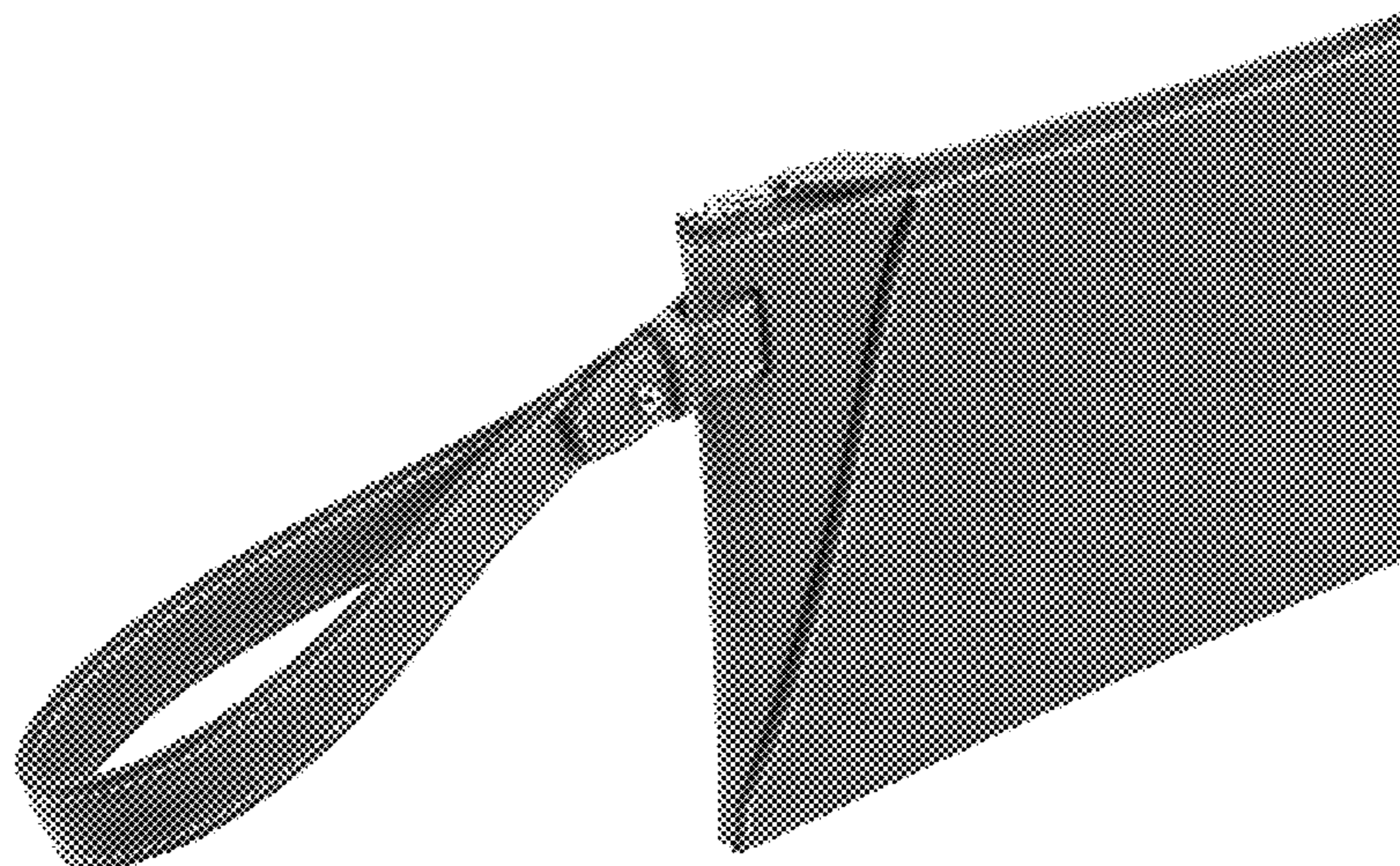
(57) **CLAIM**

The ornamental design for a clutch bag, as shown and described.

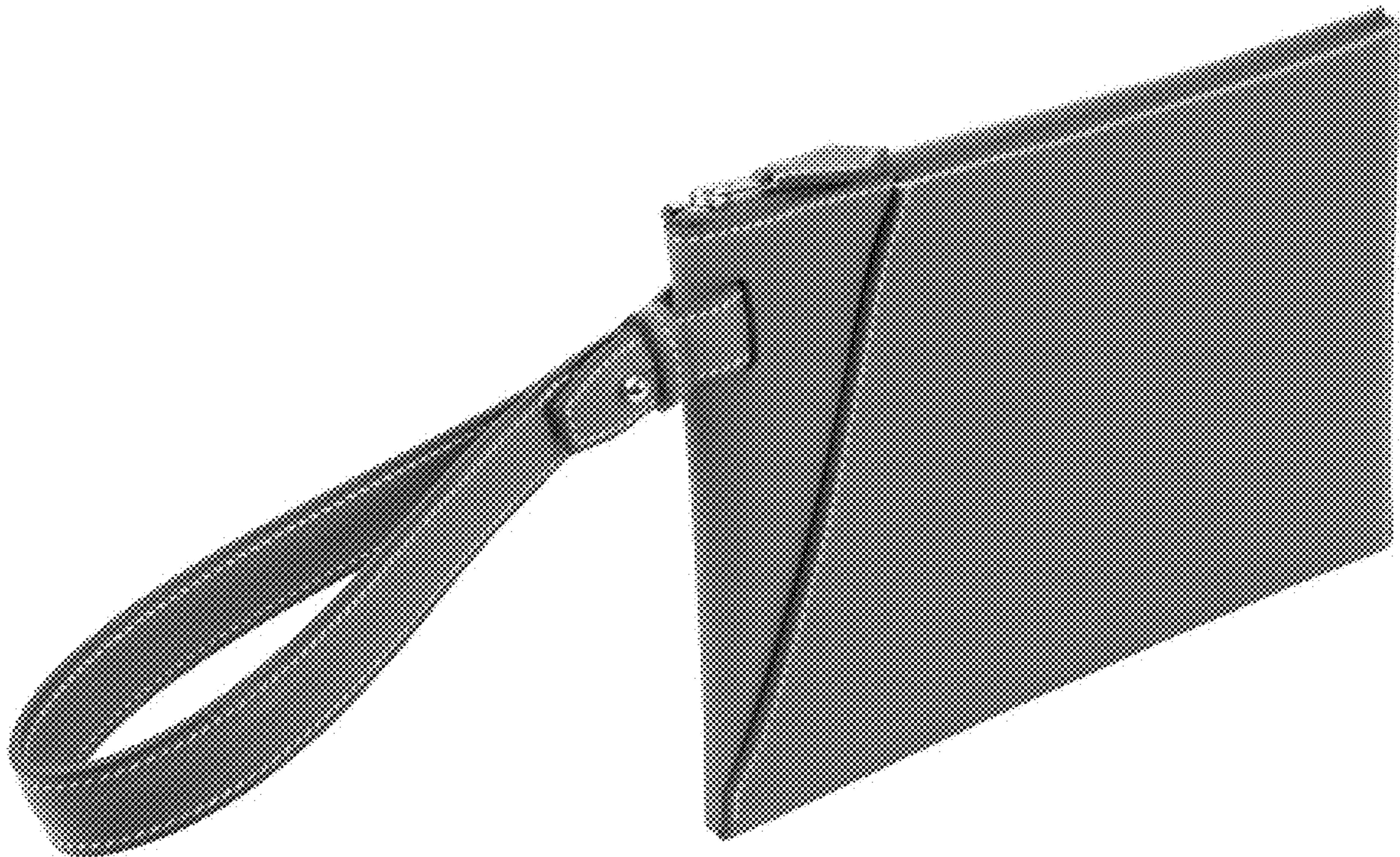
**DESCRIPTION**

- 1. Clutch bag
- 1.1 : Perspective
- 1.2 : Front
- 1.3 : Back
- 1.4 : Right
- 1.5 : Left
- 1.6 : Top
- 1.7 : Bottom

**1 Claim, 7 Drawing Sheets**



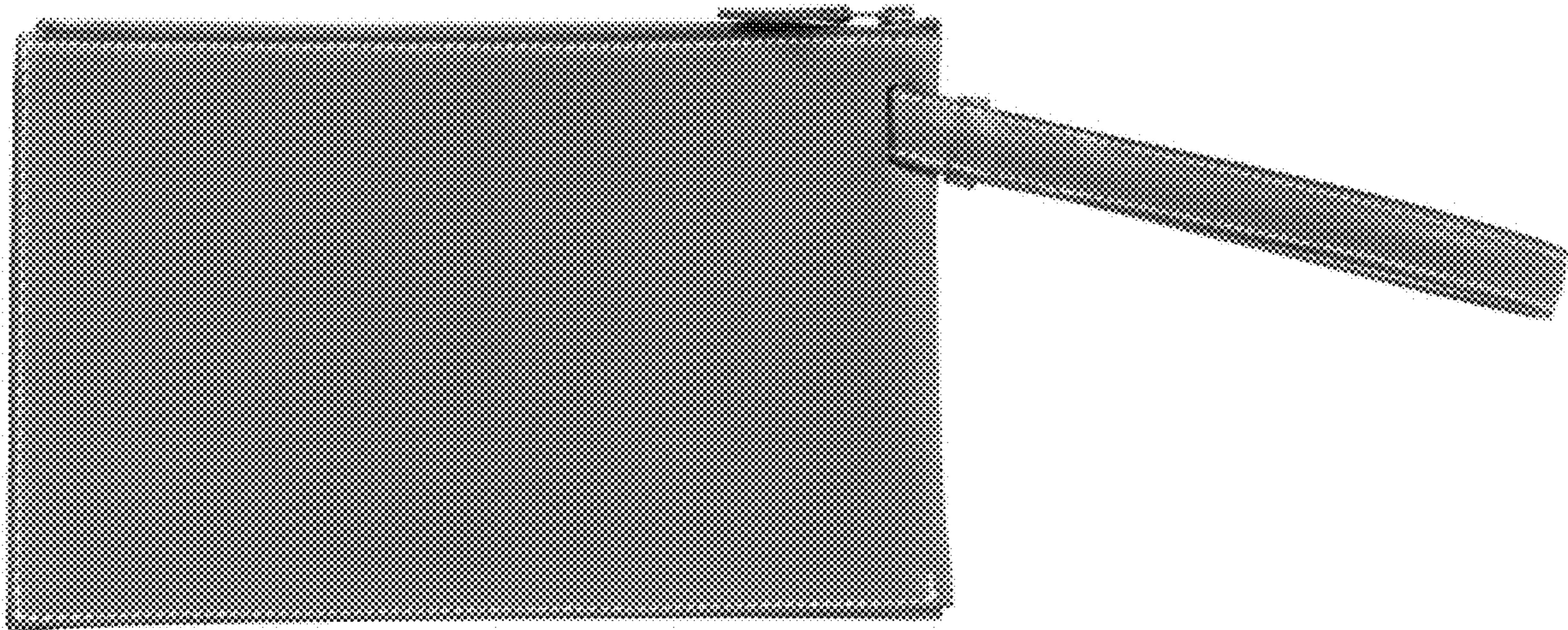
1.1



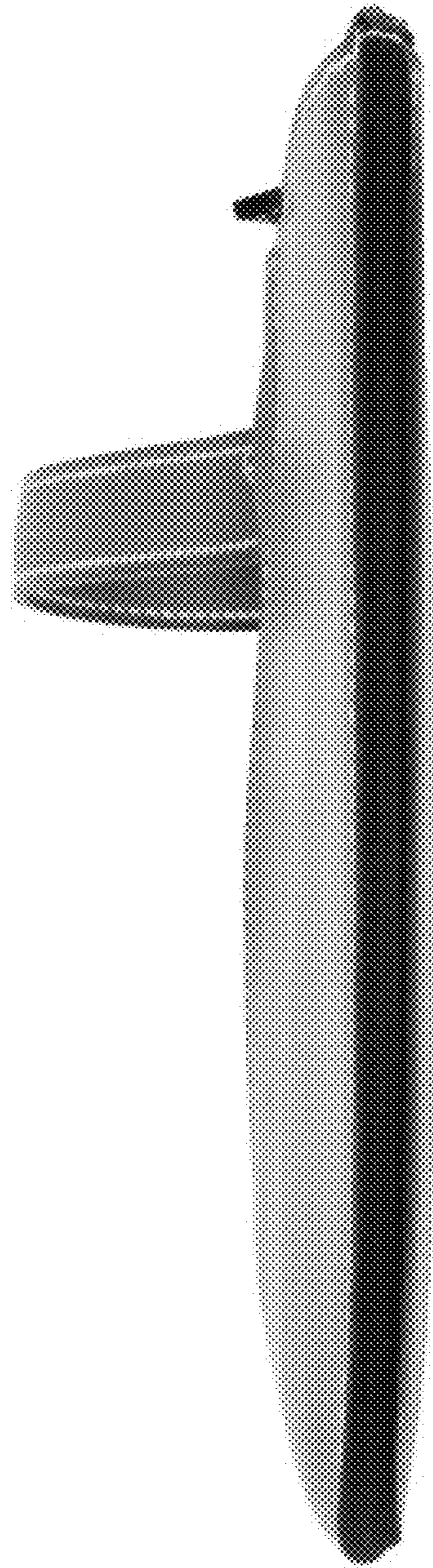
1.2



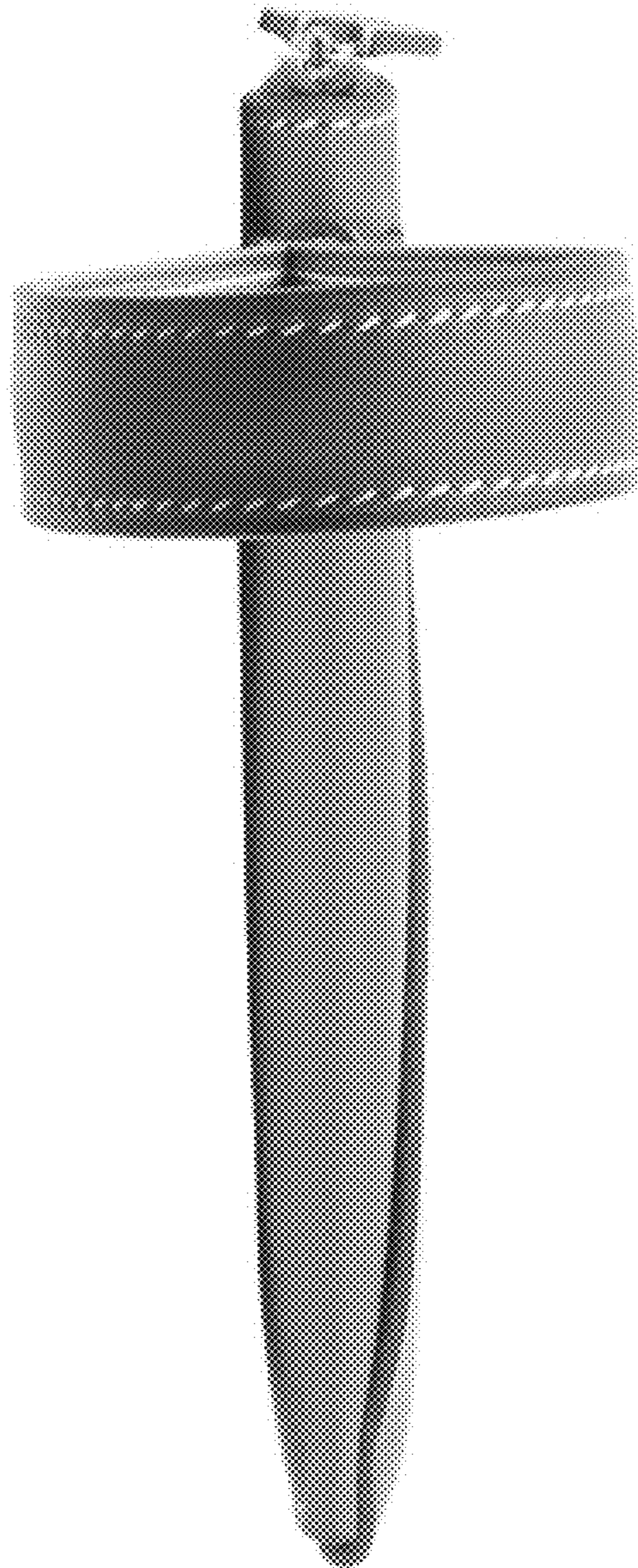
1.3



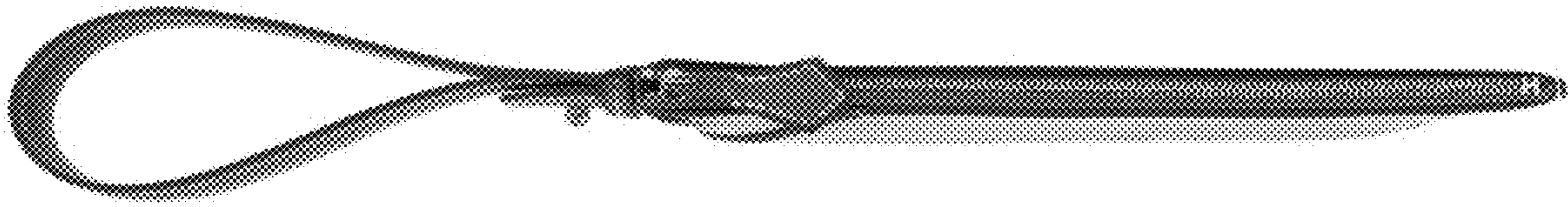
1.4



1.5



1.6



1.7

