



US00D851920S

(12) **United States Design Patent** (10) **Patent No.:** **US D851,920 S**  
**Mouriz** (45) **Date of Patent:** **\*\* Jun. 25, 2019**

(54) **MOBILE DEVICE CARRYING CASE**  
(71) Applicant: **HERA CASES LLC**, Miami, FL (US)  
(72) Inventor: **Ashley Mouriz**, Miami, FL (US)  
(73) Assignee: **HERA CASES LLC**, Miami, FL (US)  
(\*\*) Term: **15 Years**

D723,795 S \* 3/2015 Kalbach ..... D3/218  
D818,263 S \* 5/2018 Broadhurst ..... D3/218  
D830,055 S \* 10/2018 Miller ..... D3/218

\* cited by examiner

*Primary Examiner* — Catherine R Oliver-Garcia  
(74) *Attorney, Agent, or Firm* — Mark Terry

(21) Appl. No.: **29/639,592**  
(22) Filed: **Mar. 7, 2018**

(57) **CLAIM**

The ornamental design for a mobile device carrying case, as shown and described.

**Related U.S. Application Data**

(63) Continuation-in-part of application No. 29/651,099, filed on Mar. 5, 2018, which is a continuation-in-part of application No. 29/622,460, filed on Oct. 17, 2017, now Pat. No. Des. 840,678.

**DESCRIPTION**

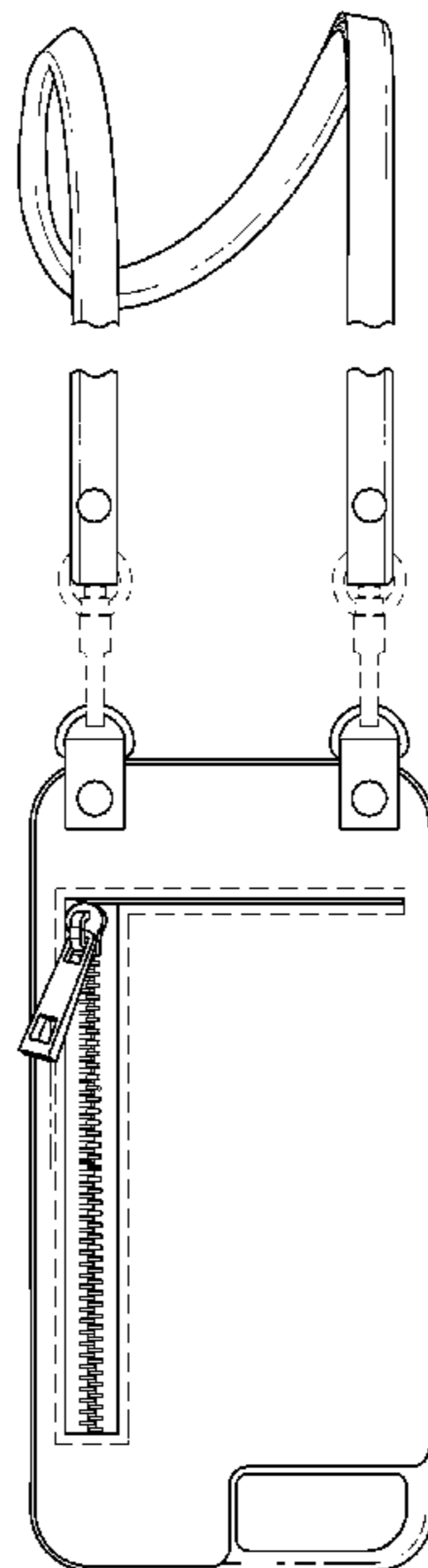
(51) **LOC (11) Cl.** ..... **03-01**  
(52) **U.S. Cl.**  
USPC ..... **D3/218**  
(58) **Field of Classification Search**  
USPC ..... D3/218, 215, 201, 219, 224, 226, 228,  
D3/232, 205, 269, 303; 224/600, 605,  
224/625, 682–683, 674, 930; 206/305,  
206/320; 455/575.1–575.8; 379/455  
CPC ..... A45C 2011/002; A45C 11/26; A45F 5/00;  
A45F 5/02; A45F 5/021; A45F  
2200/0516; A45F 3/02; A45F 3/14  
See application file for complete search history.

FIG. 1 is a rear view of a mobile device carrying case, showing the new design;  
FIG. 2 is a right side view thereof;  
FIG. 3 is a left side view thereof;  
FIG. 4 is a top view thereof;  
FIG. 5 is a bottom view thereof;  
FIG. 6 is a front view thereof.  
FIG. 7 is a rear perspective view thereof;  
FIG. 8 is another rear perspective view thereof;  
FIG. 9 is a front perspective view thereof; and,  
FIG. 10 is a top perspective view thereof.  
The uniformly dashed lines shown in the drawings illustrate portions of the mobile device carrying case which form no part of the claimed design.  
The strap is shown broken away to indicate that no particular length is claimed, and any portion shown between the breaks forms no part of the claimed design.

(56) **References Cited**  
U.S. PATENT DOCUMENTS

D631,650 S \* 2/2011 Li ..... D3/218  
D720,924 S \* 1/2015 Emmitt ..... D3/218

**1 Claim, 5 Drawing Sheets**



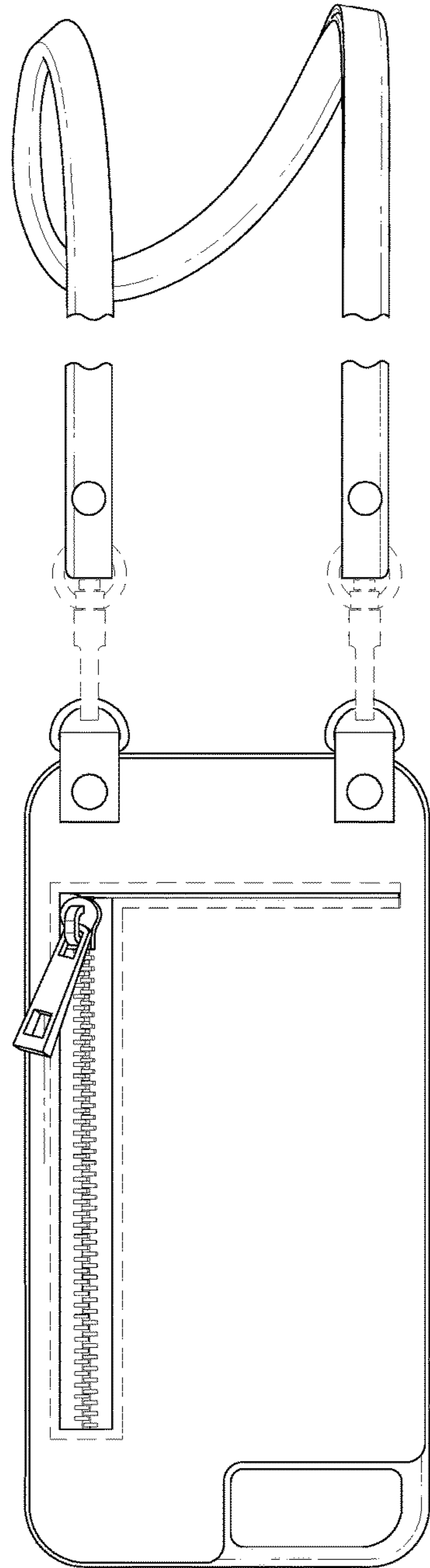


Fig. 1

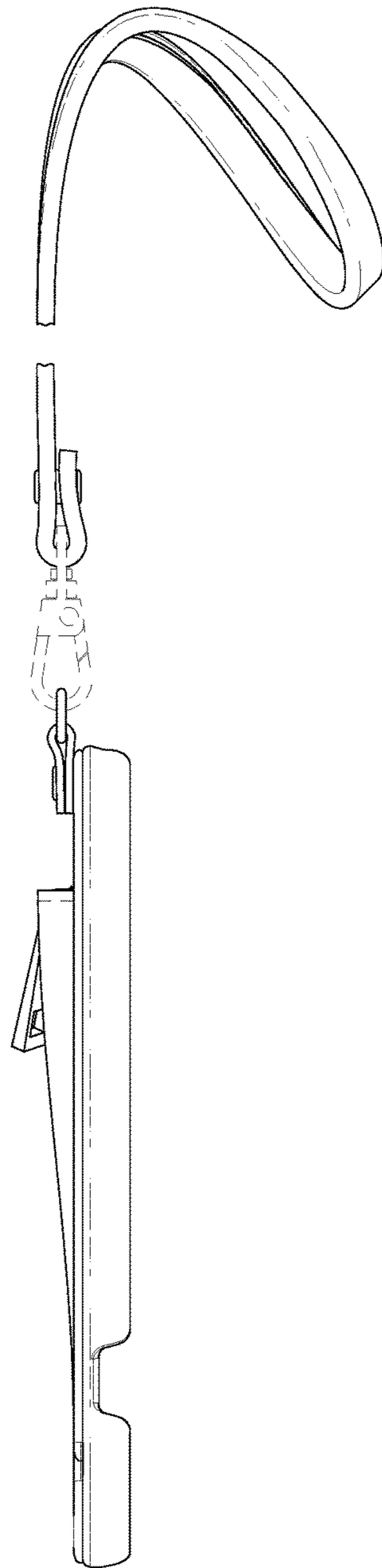


Fig. 2

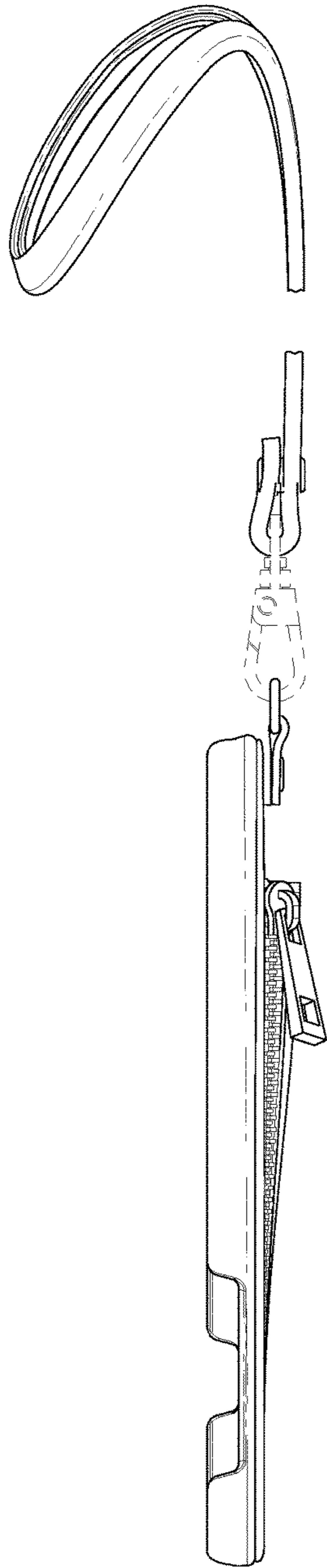


Fig. 3

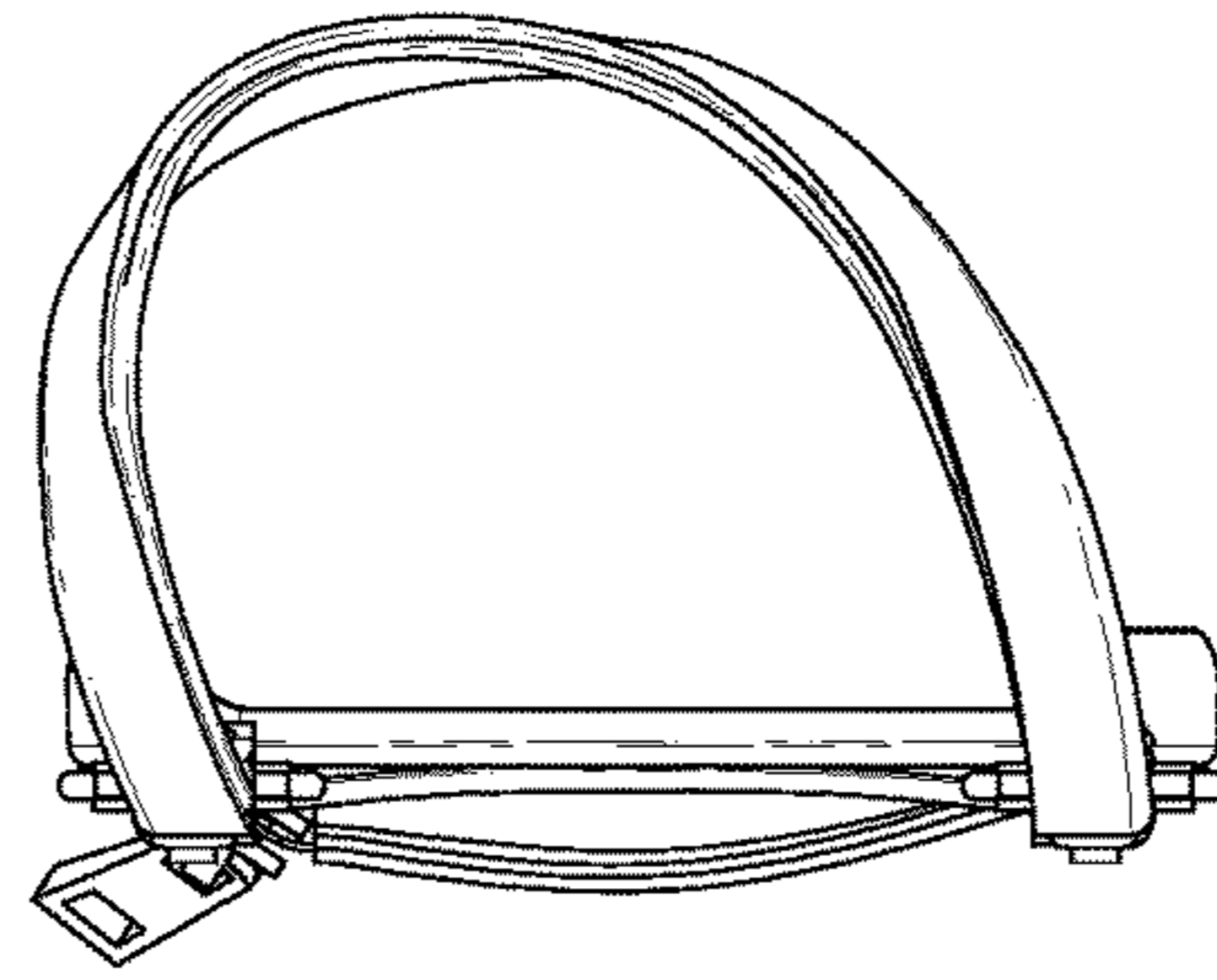


Fig. 4

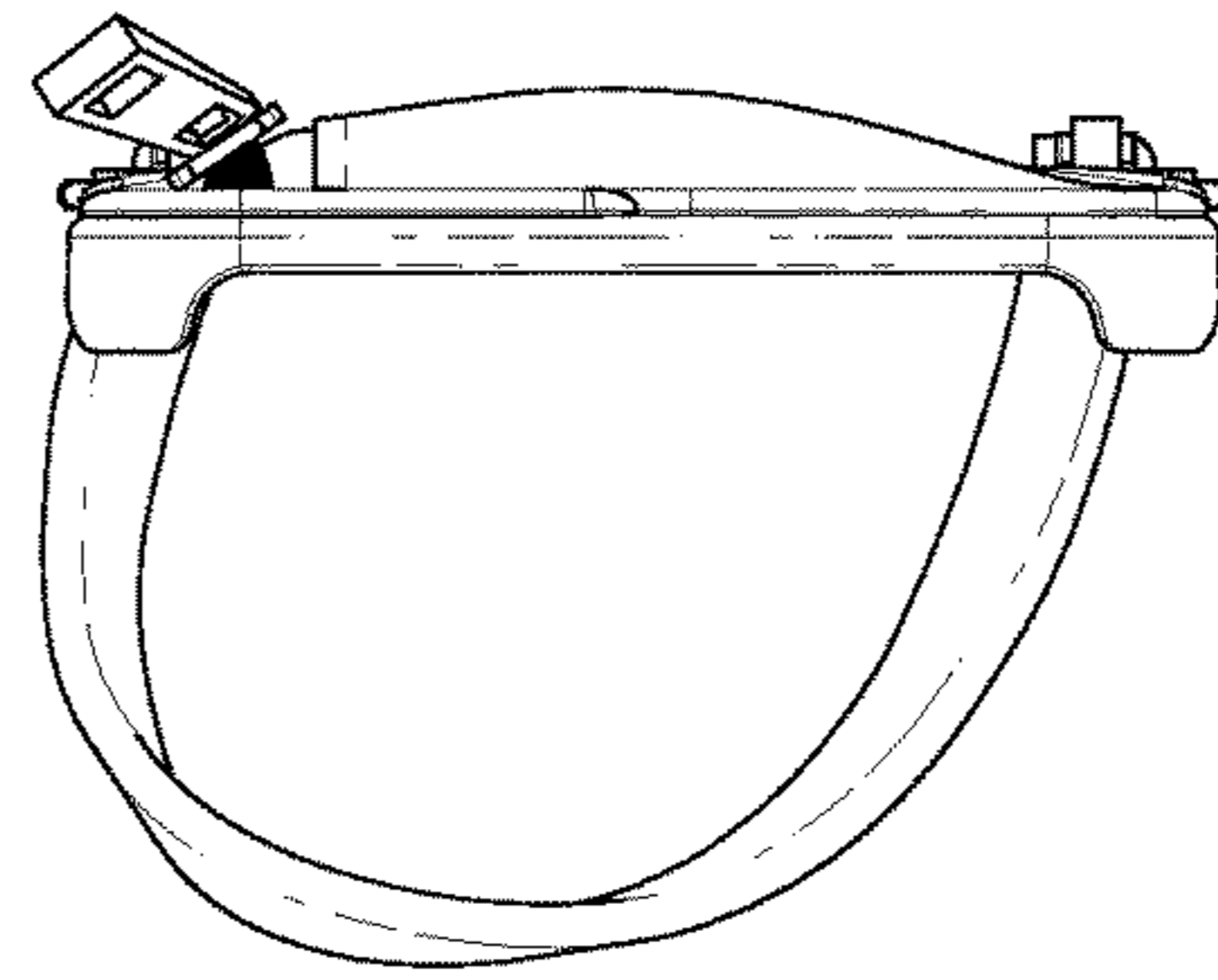


Fig. 5

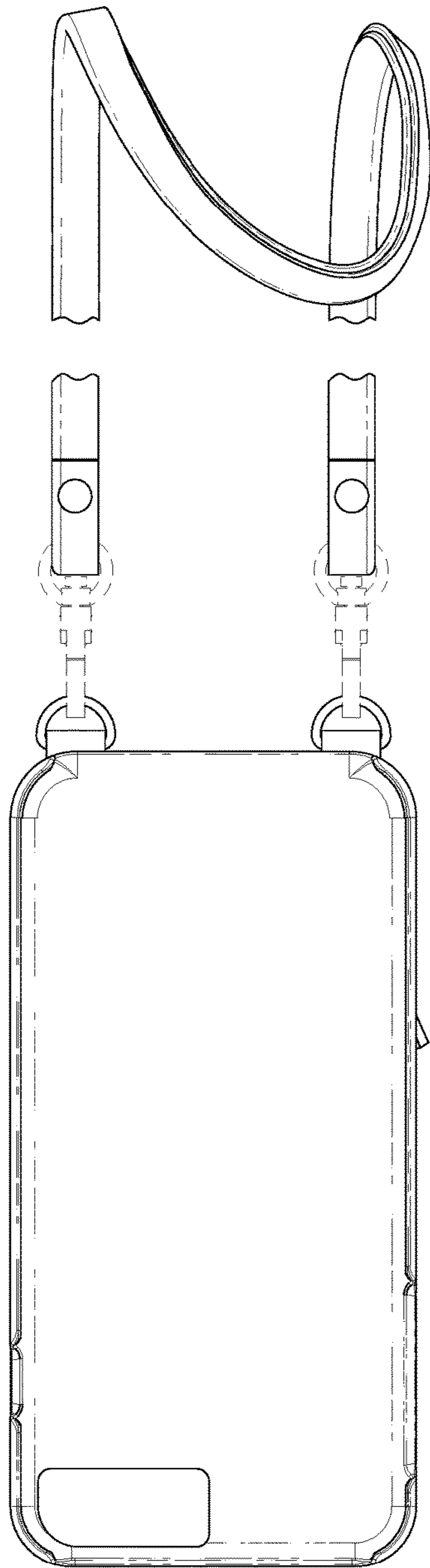


Fig. 6

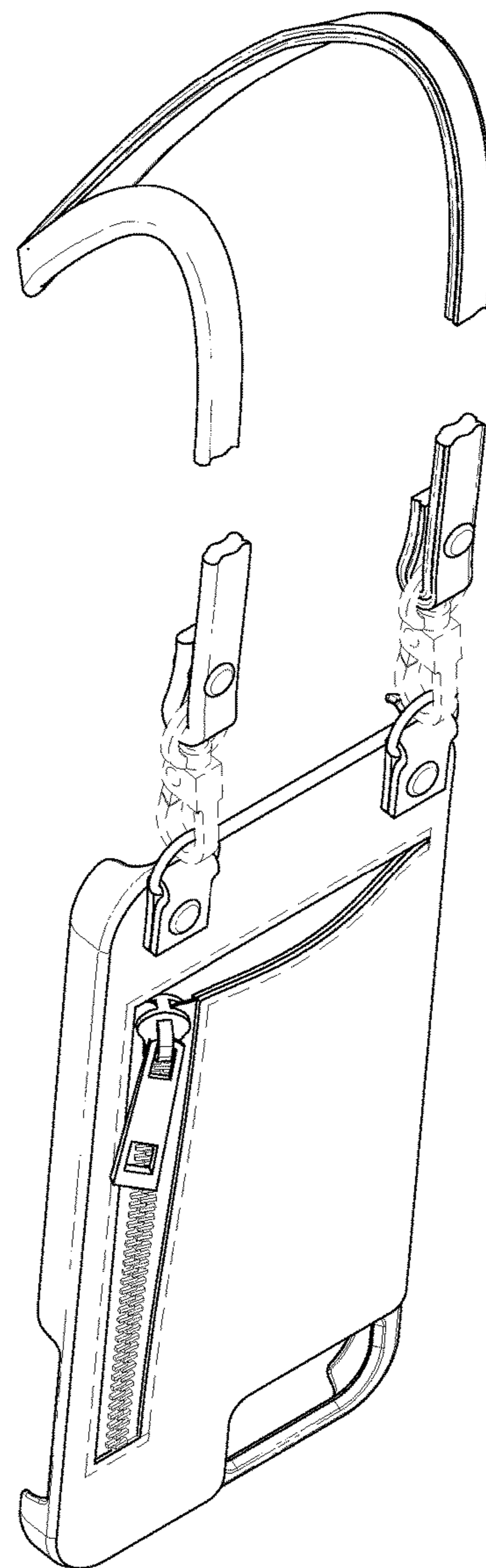


Fig. 7

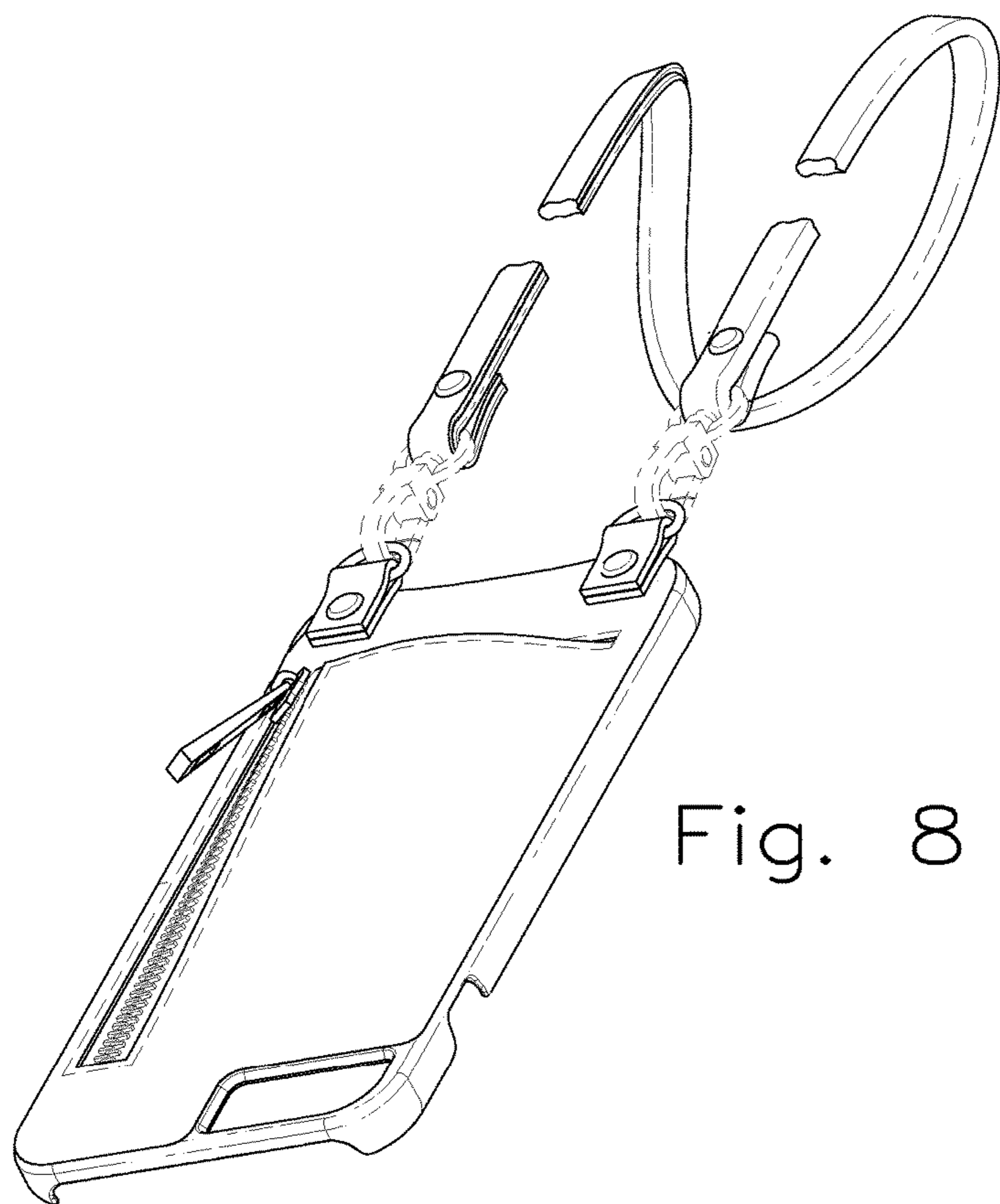


Fig. 8

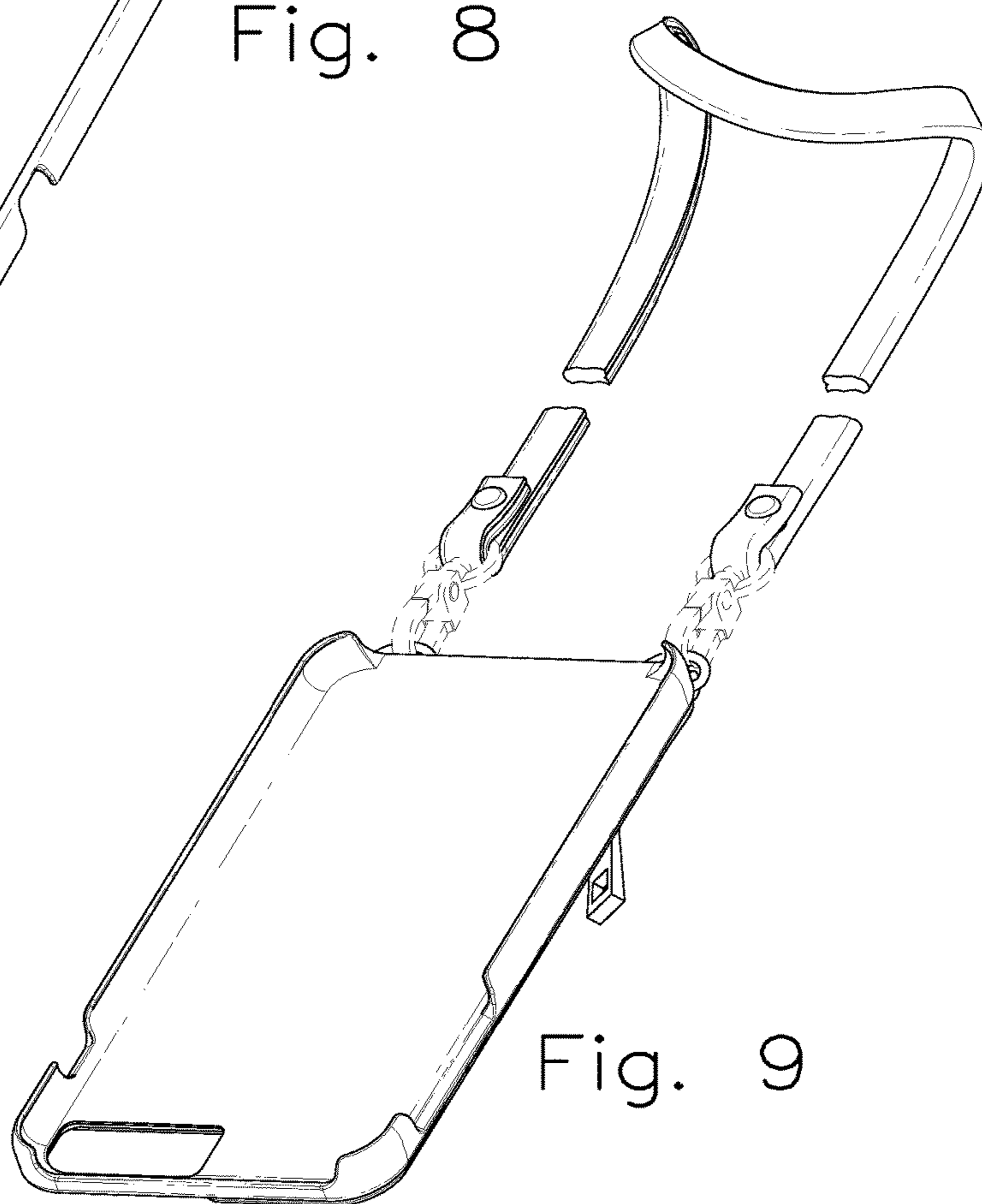


Fig. 9

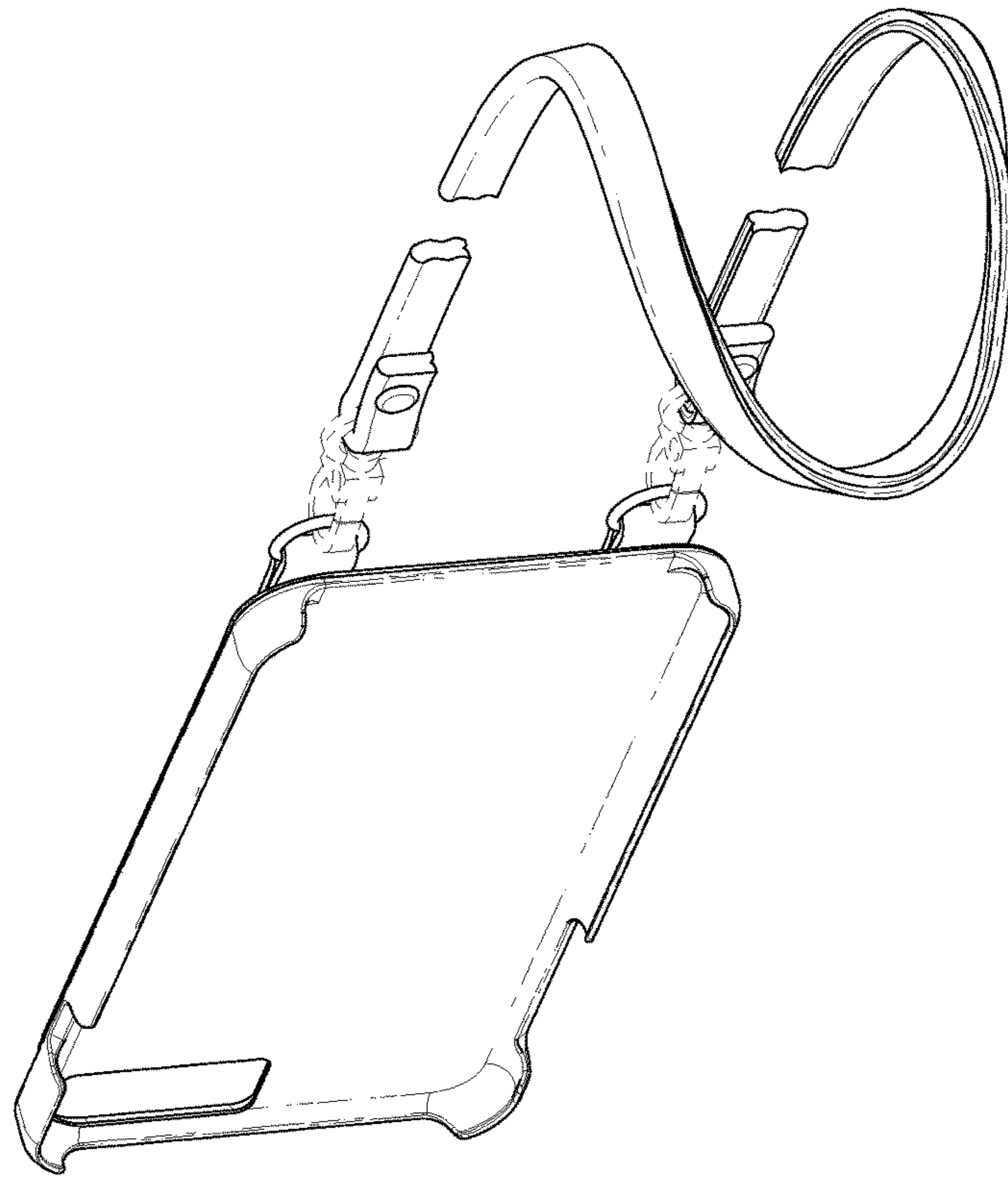


Fig. 10