



US00D851918S

(12) **United States Design Patent**
Kikuta

(10) **Patent No.:** **US D851,918 S**

(45) **Date of Patent:** **** Jun. 25, 2019**

(54) **BACKPACK**

(71) Applicant: **Marna Inc.**, Tokyo (JP)

(72) Inventor: **Minami Kikuta**, Tokyo (JP)

(73) Assignee: **Marna Inc.**, Tokyo (JP)

(**) Term: **15 Years**

(21) Appl. No.: **29/610,705**

(22) Filed: **Jul. 14, 2017**

(30) **Foreign Application Priority Data**

Jan. 16, 2017 (JP) 2017-000508

(51) **LOC (11) Cl.** **03-01**

(52) **U.S. Cl.**
USPC **D3/217; D9/703**

(58) **Field of Classification Search**
USPC D3/201, 226, 233, 232, 239, 240, 245,
D3/246, 216, 217; D9/702-707
CPC A45C 3/06; A45C 3/00; F25D 2331/801;
A45F 3/04; A45F 3/02; A45F 4/02; A45F
3/042; A45F 2003/001; A45F 2003/003;
A45F 2003/045; A45F 2003/142
See application file for complete search history.

(56) **References Cited**

U.S. PATENT DOCUMENTS

8,038,042	B2 *	10/2011	Bartel	A45C 5/14 224/153
D714,046	S *	9/2014	Sagan	D3/216
D722,430	S *	2/2015	Sagan	D3/216
D789,682	S *	6/2017	Maeng	D3/217
D793,718	S *	8/2017	Dumas	D3/217
D811,728	S *	3/2018	Sheikh	D3/217

FOREIGN PATENT DOCUMENTS

HK	0312285.0	12/2003
JP	D1275020	6/2006
JP	D1435474	3/2012
KR	30-0391007	9/2005

OTHER PUBLICATIONS

Orange Page, Jun. 17, 2012, (3 pages).

* cited by examiner

Primary Examiner — Jennifer L Watkins

(74) *Attorney, Agent, or Firm* — Kilyk & Bowersox,
P.L.L.C.

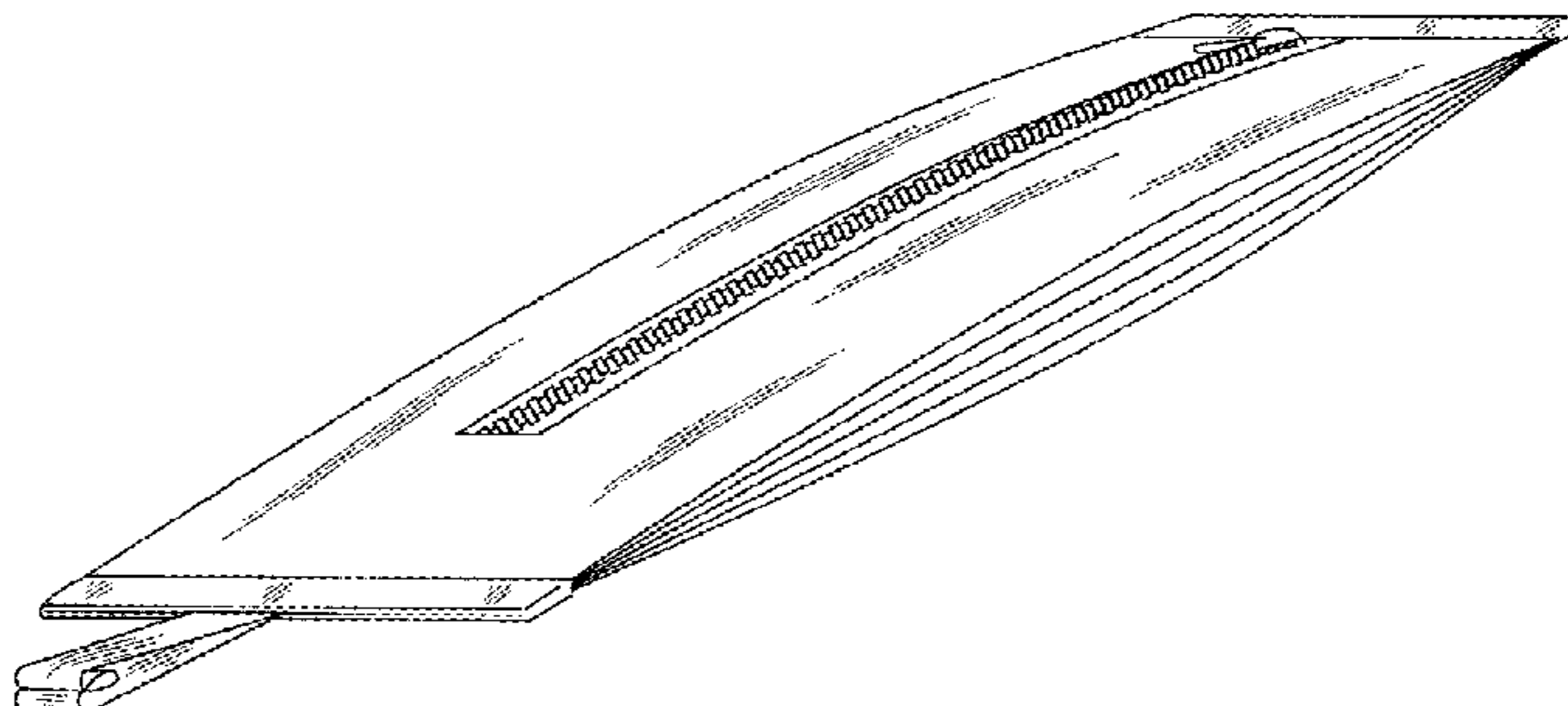
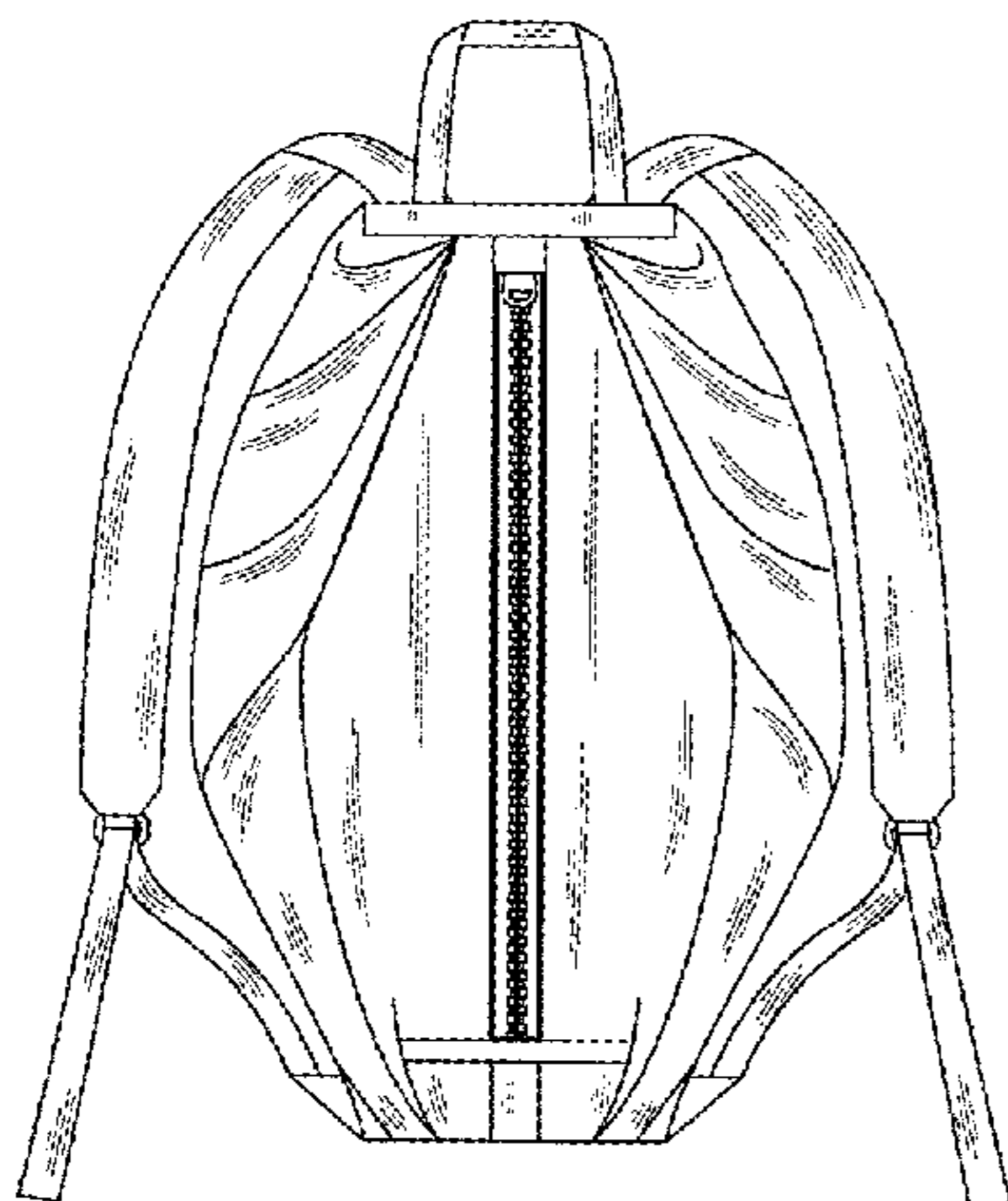
(57) **CLAIM**

The ornamental design for a backpack, as shown and described.

DESCRIPTION

FIG. 1 is a front elevation view of a backpack showing my new design;
 FIG. 2 is a back elevation view thereof;
 FIG. 3 is a right side elevation view thereof;
 FIG. 4 is a top plan view thereof;
 FIG. 5 is a bottom plan view thereof;
 FIG. 6 is a front elevation view thereof illustrating a folded state of the backpack;
 FIG. 7 is a back elevation view thereof illustrating the folded state of the backpack;
 FIG. 8 is a top plan view thereof illustrating the folded state of the backpack;
 FIG. 9 is a bottom plan view thereof illustrating the folded state of the backpack;
 FIG. 10 is a right side elevation view thereof illustrating the folded state of the backpack;
 FIG. 11 is a left side elevation view thereof illustrating the folded state of the backpack;
 FIG. 12 is a perspective view thereof, viewed from an upper part, illustrating the fold state of the backpack;
 FIG. 13 is a perspective view thereof, viewed from a lower part, illustrating the fold state of the backpack; and,
 FIG. 14 is a perspective view thereof illustrating the compactly folded state of the backpack.

1 Claim, 14 Drawing Sheets



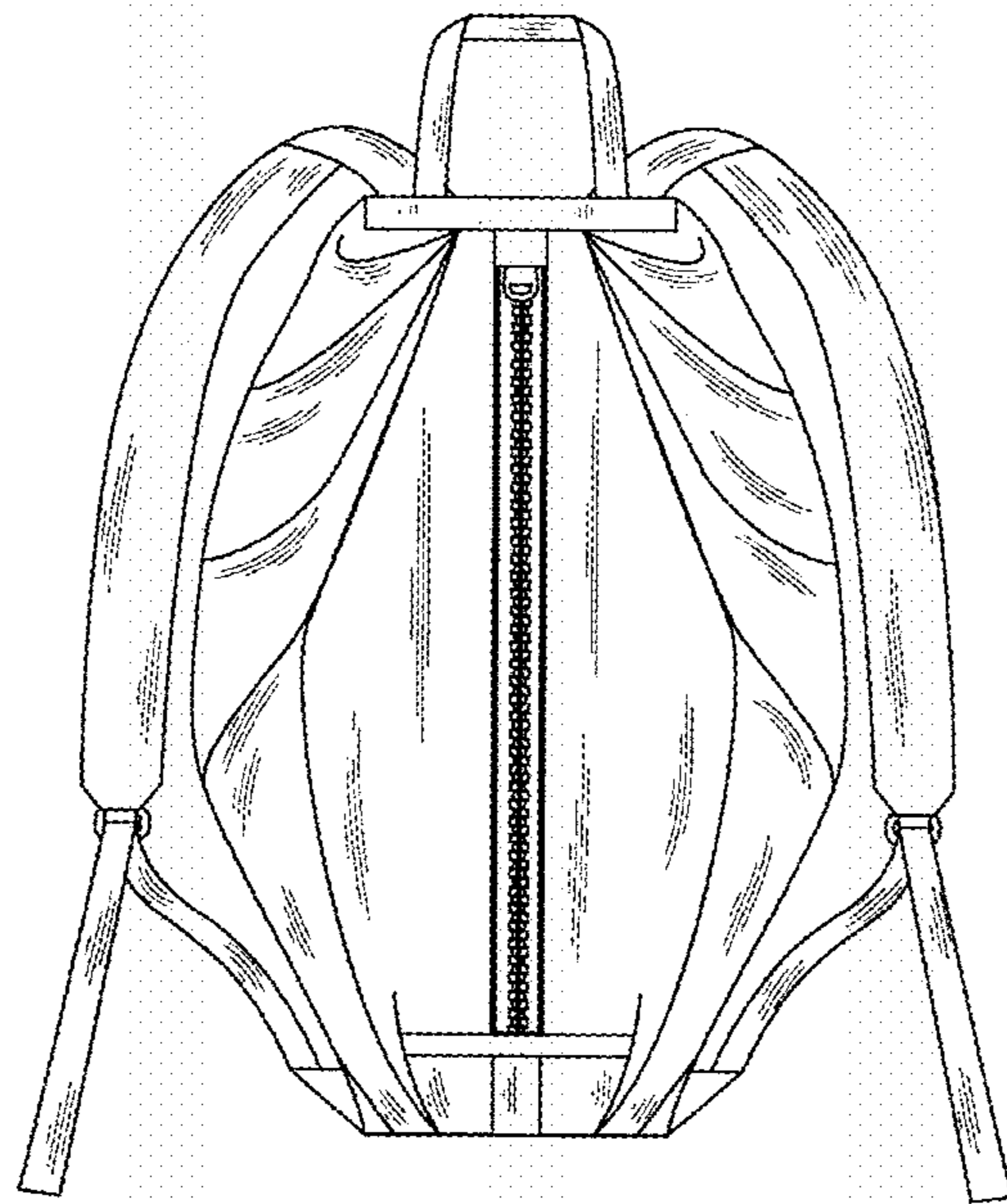


FIG.1

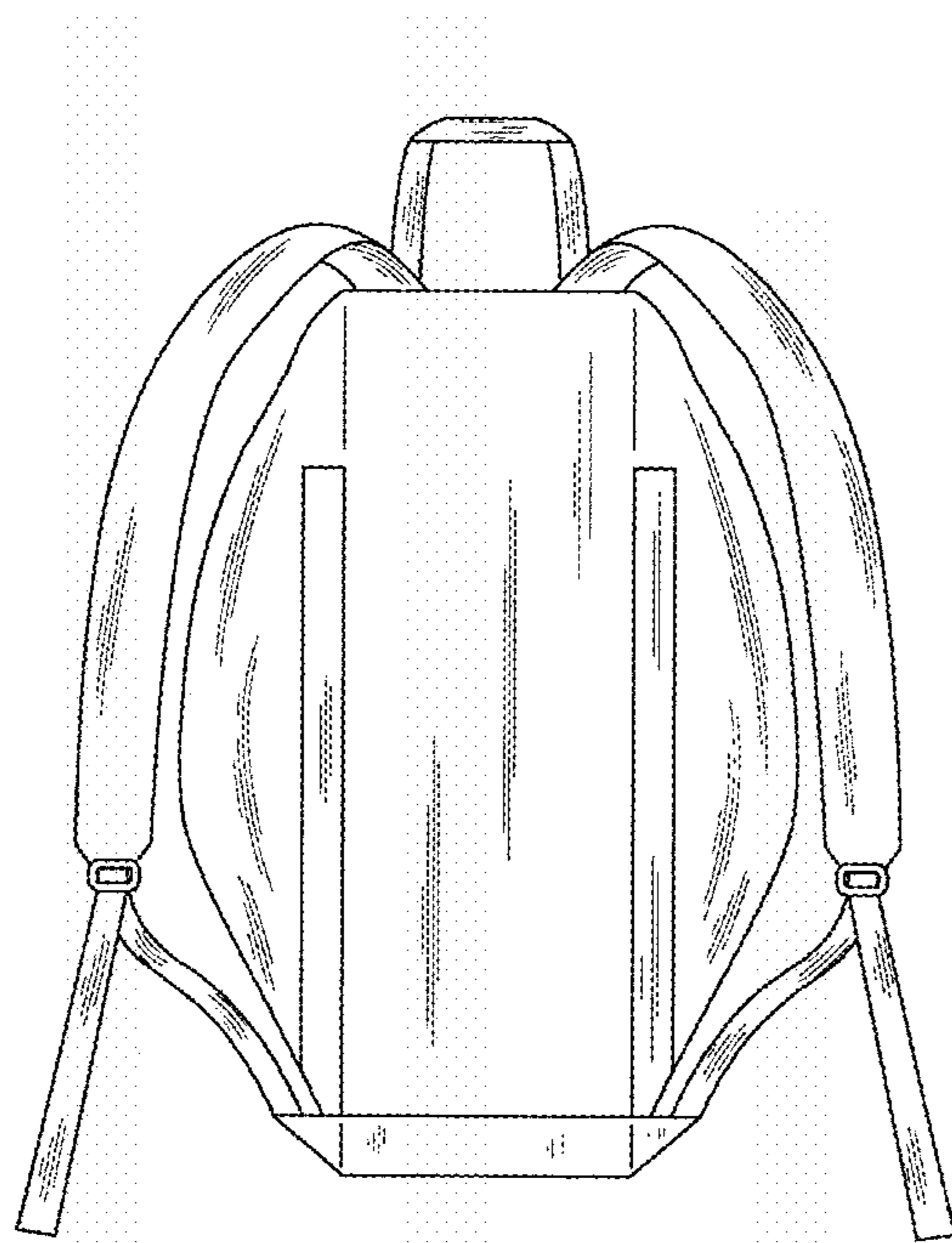


FIG.2

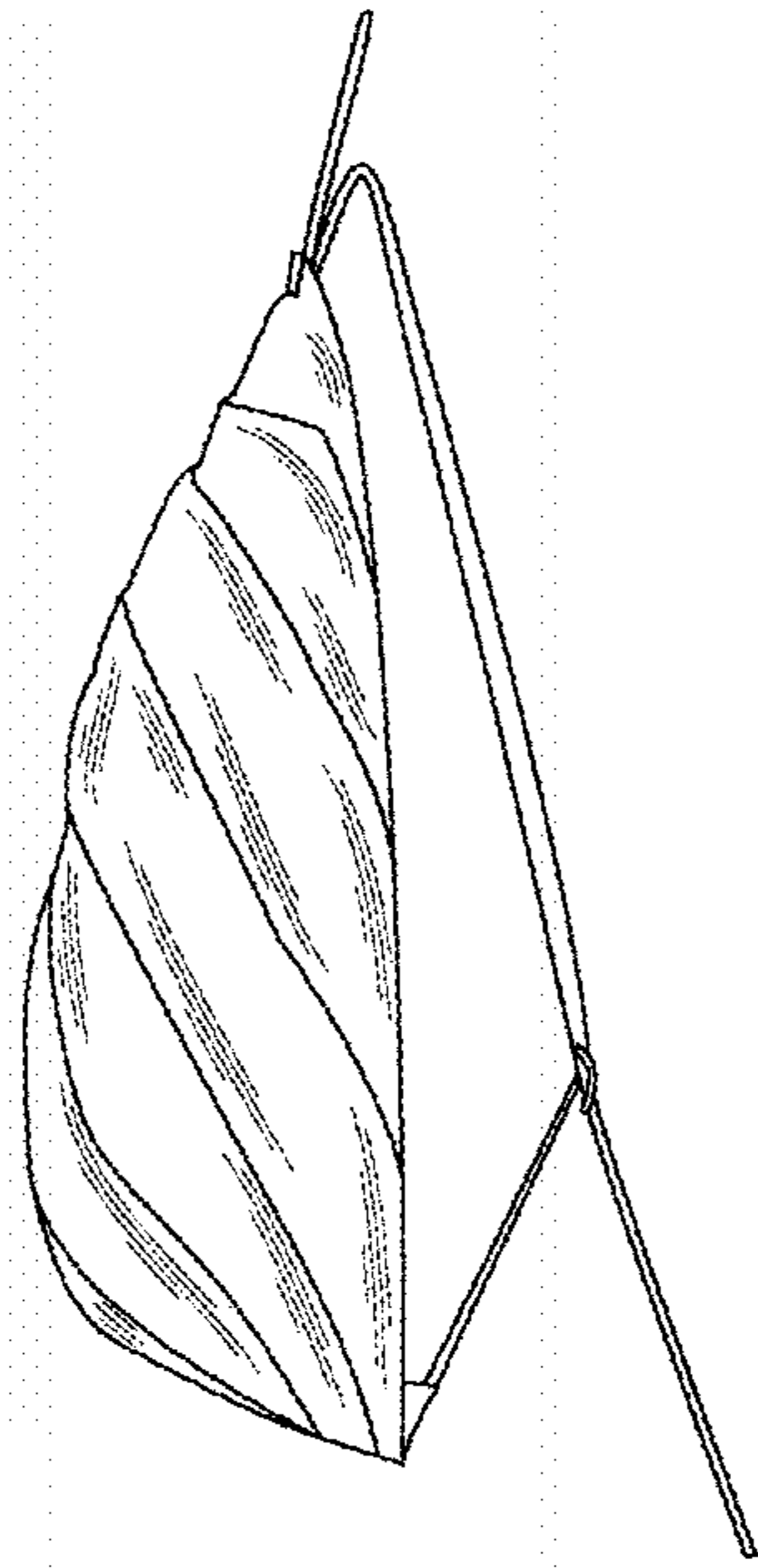


FIG.3

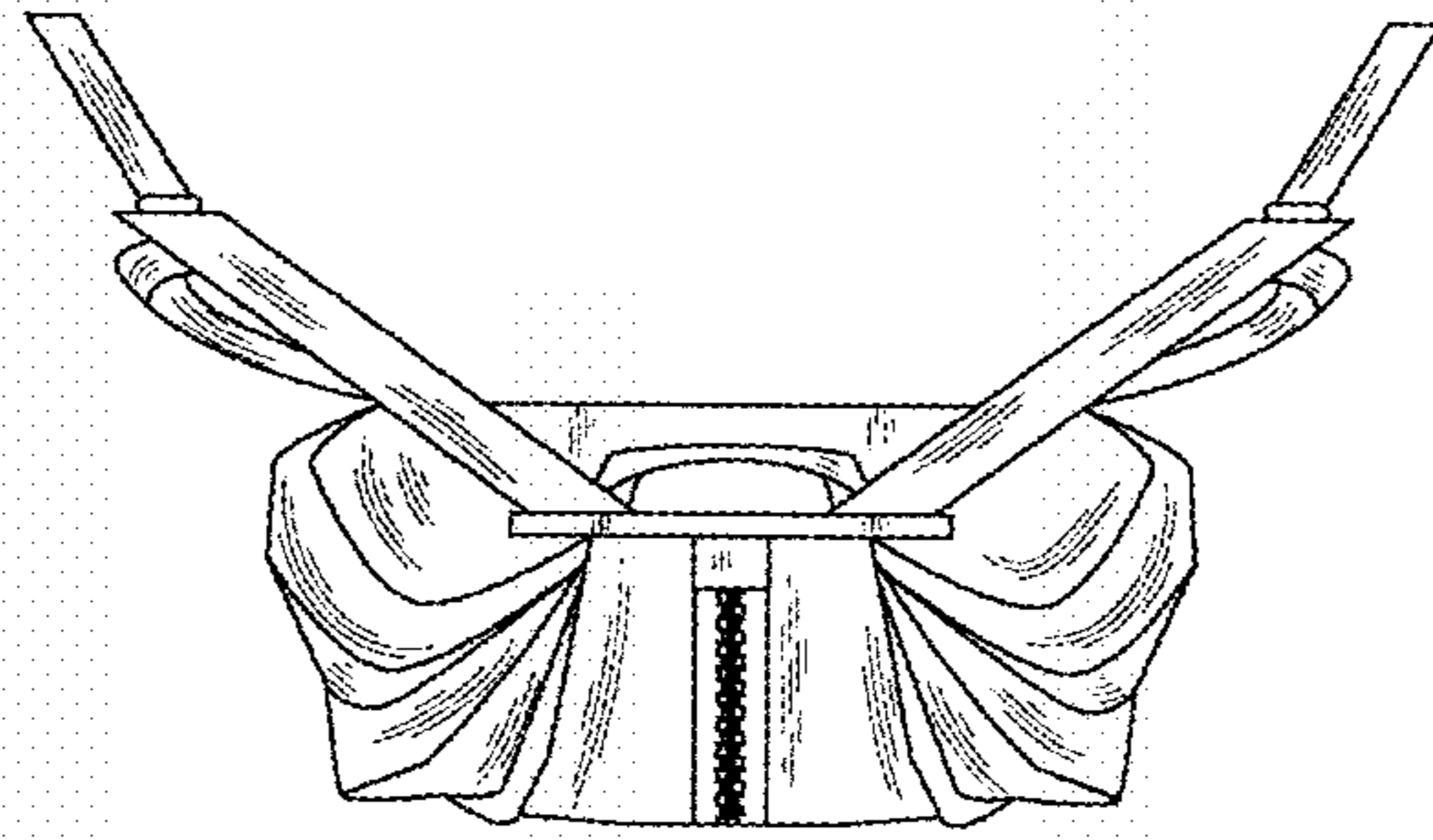


FIG.4

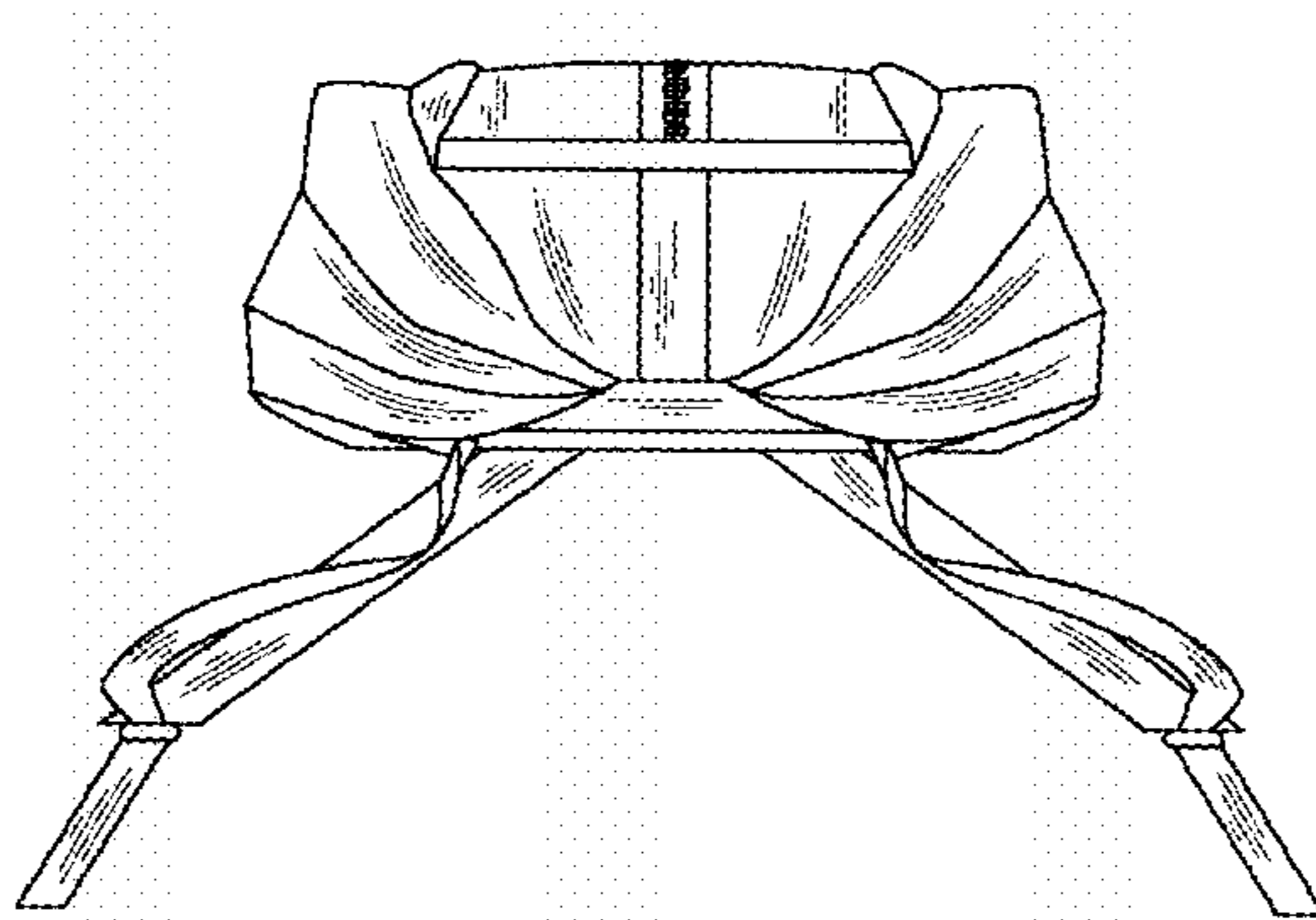


FIG.5

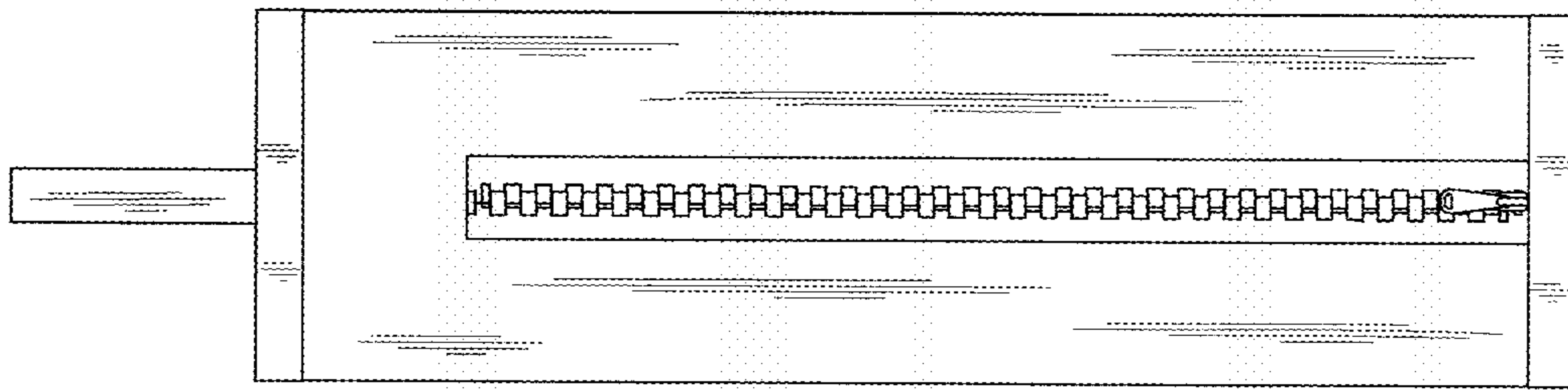


FIG.6

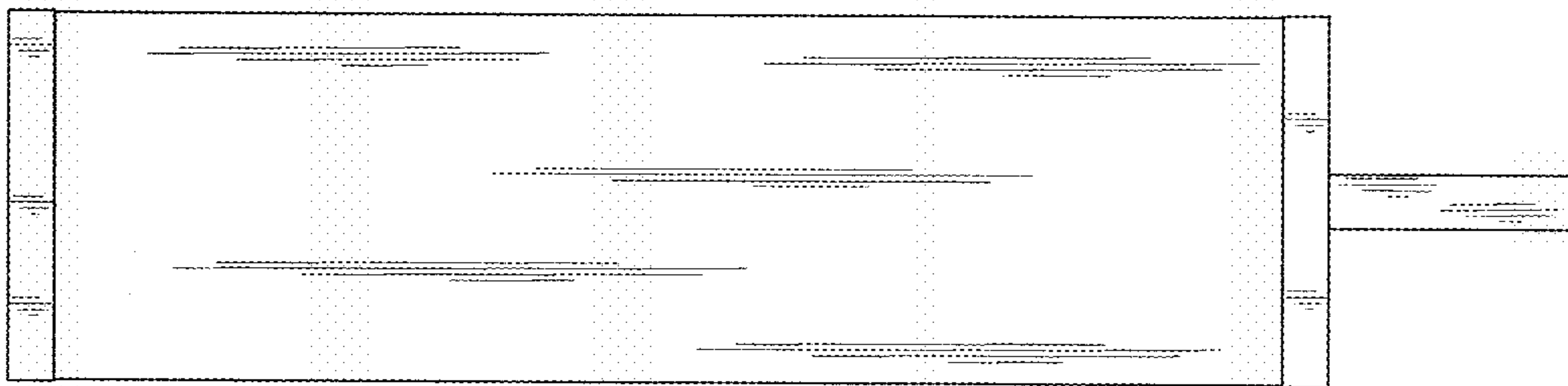


FIG.7

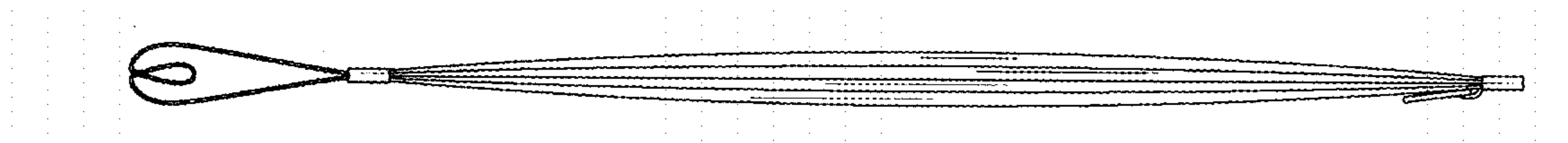


FIG. 8

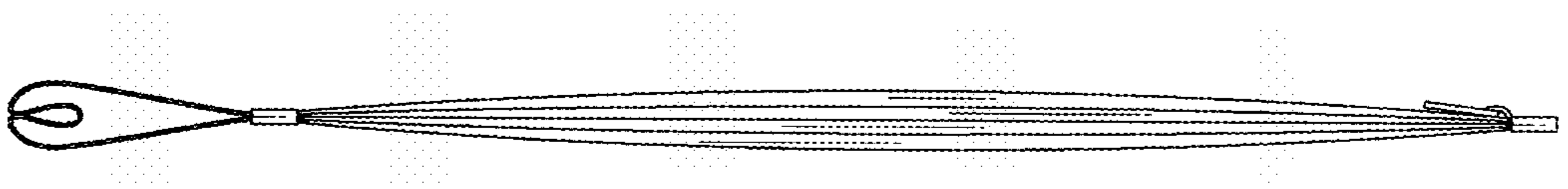


FIG.9



FIG.10

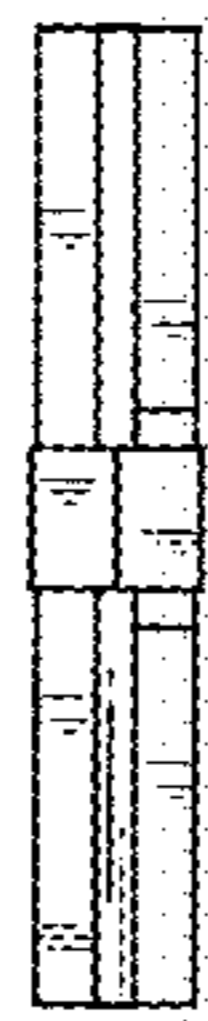


FIG. 11

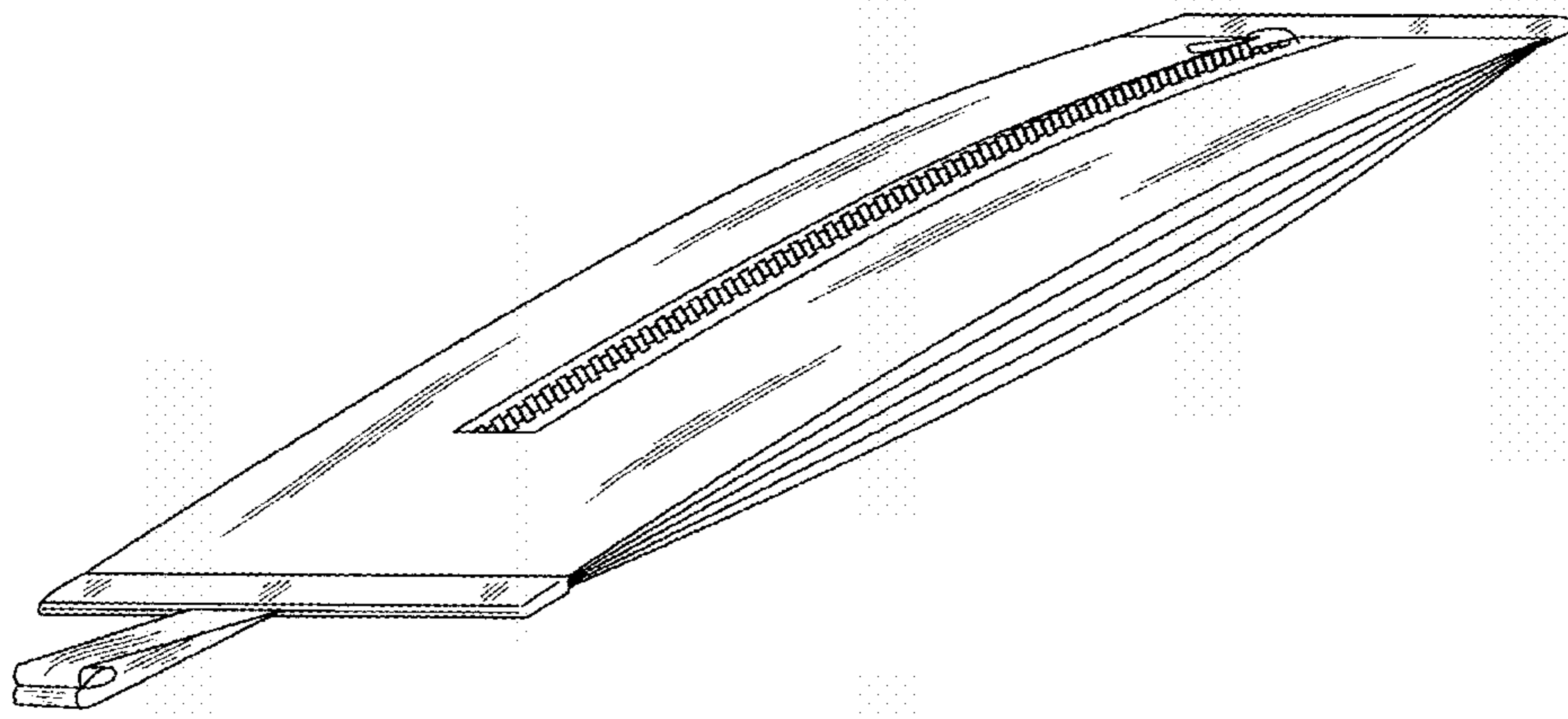


FIG.12

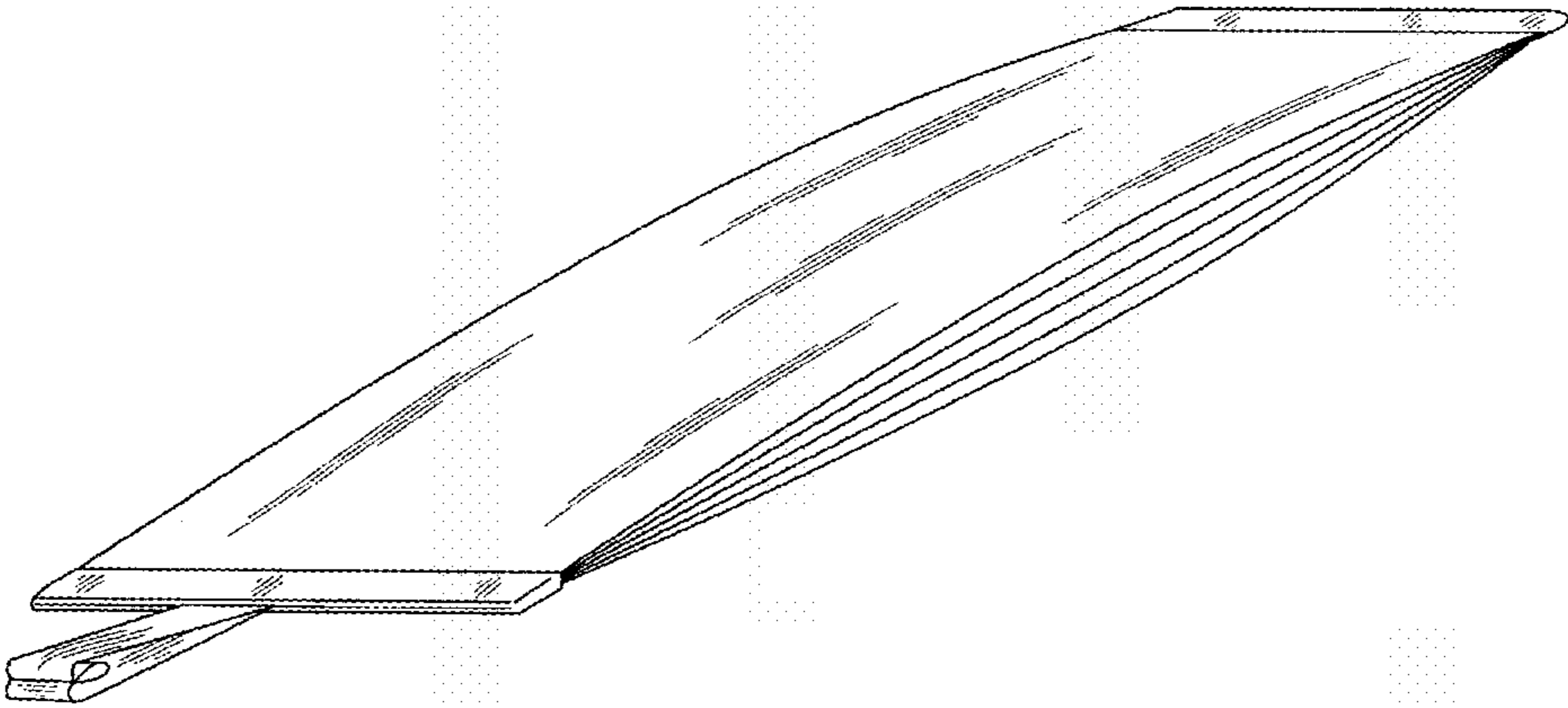


FIG.13

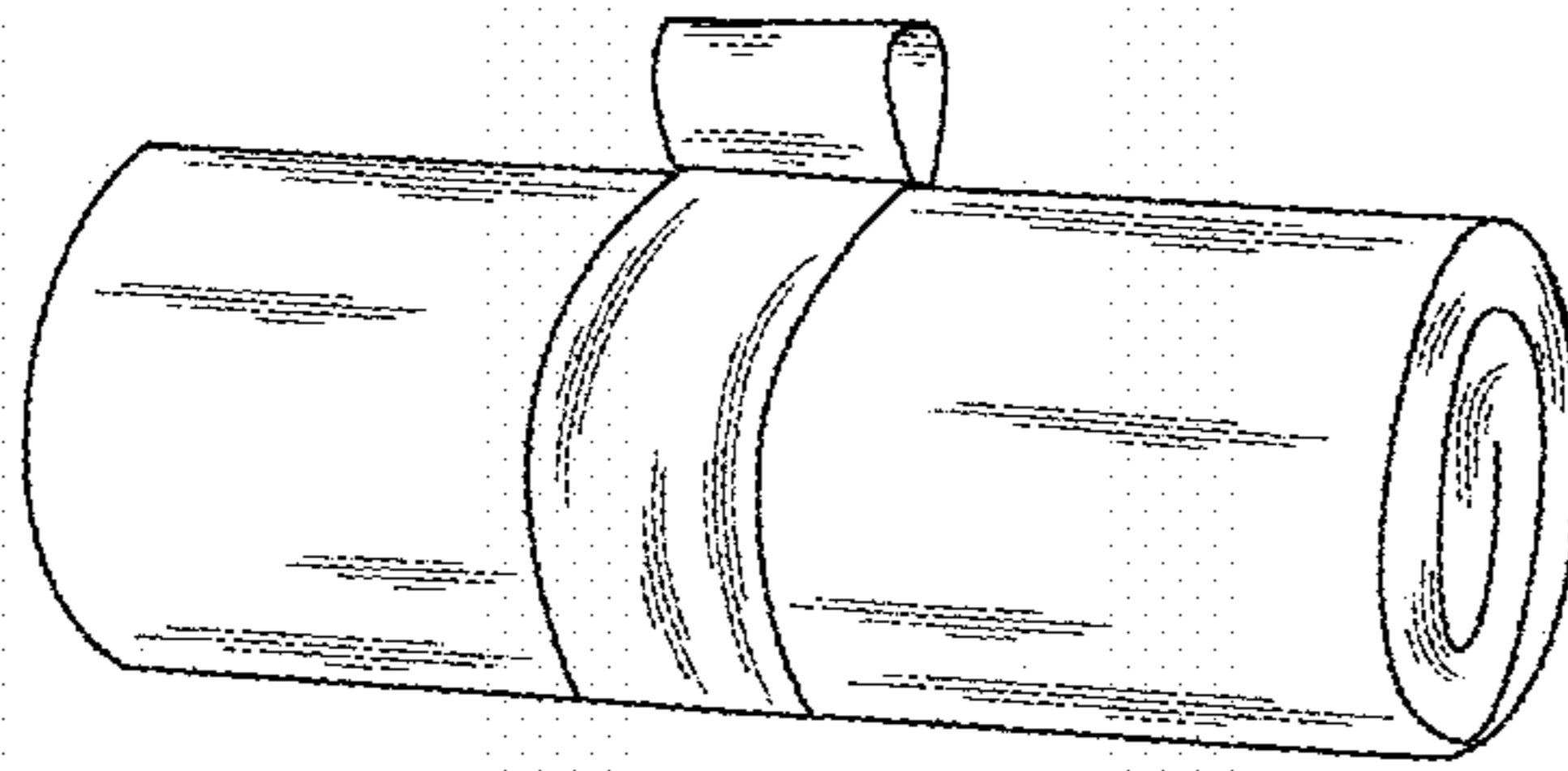


FIG. 14