



US00D851916S

(12) **United States Design Patent** (10) **Patent No.:** **US D851,916 S**  
**Andersson et al.** (45) **Date of Patent:** **\*\* Jun. 25, 2019**

(54) **BABY CARRIER**  
(71) Applicant: **BabyBjörn AB**, Solna (SE)  
(72) Inventors: **Henrik Andersson**, Reftele (SE); **Jonas Dolk**, Dalarö (SE); **Mårten Andrén**, Spånga (SE); **Ulrika Vejbrink**, Hägersten (SE); **David Karpathakis Thalén**, Bromma (SE); **Lisen Elmberg**, Stockholm (SE)

(73) Assignee: **BabyBjörn AB**, Solna (SE)

(\*\*) Term: **15 Years**

(21) Appl. No.: **29/648,490**

(22) Filed: **May 22, 2018**

(30) **Foreign Application Priority Data**

Dec. 14, 2017 (EM) ..... 004546992-0001

(51) **LOC (11) Cl.** ..... **03-01**

(52) **U.S. Cl.**  
USPC ..... **D3/214**

(58) **Field of Classification Search**  
USPC ..... D3/213, 214, 215, 216  
CPC ..... A47D 13/00; A47D 13/02; A47D 13/025;  
A47D 15/00

See application file for complete search history.

(56) **References Cited**

**U.S. PATENT DOCUMENTS**

5,678,739 A \* 10/1997 Darling ..... A47D 13/025  
224/158  
D409,373 S \* 5/1999 Fair ..... D3/213  
D425,696 S \* 5/2000 Swanke ..... D3/213  
D507,102 S \* 7/2005 Bergkvist ..... D3/213  
D507,869 S \* 8/2005 Liistro ..... D3/213  
D611,699 S \* 3/2010 Lundh ..... D3/213  
D615,750 S \* 5/2010 Jones ..... D3/213

D623,402 S \* 9/2010 Bergkvist ..... D3/213  
D642,375 S \* 8/2011 Zack ..... D3/214  
D649,345 S \* 11/2011 Bergkvist ..... D3/214  
D655,494 S \* 3/2012 Murray ..... D3/213  
D655,495 S \* 3/2012 Sauer ..... D3/214  
8,172,116 B1 \* 5/2012 Lehan ..... A45F 3/04  
224/160  
D664,351 S \* 7/2012 Bergkvist ..... D3/214  
D692,227 S \* 10/2013 Andren ..... D3/213  
8,579,168 B2 \* 11/2013 Zack ..... A47D 13/025  
2/49.1  
8,701,949 B1 \* 4/2014 Lehan ..... A45F 3/047  
224/160  
D712,134 S \* 9/2014 Gunter ..... D3/214  
D714,045 S \* 9/2014 Stave ..... D3/213  
D733,419 S \* 7/2015 Wikner ..... D3/214  
9,185,993 B2 \* 11/2015 Telford ..... A47D 13/025  
D745,263 S \* 12/2015 Tagle ..... D3/213  
D748,907 S \* 2/2016 Figler ..... D3/213  
D753,385 S \* 4/2016 Stave ..... D3/213

(Continued)

*Primary Examiner* — John Windmuller

*Assistant Examiner* — Steven J Czyz

(74) *Attorney, Agent, or Firm* — Studebaker & Brackett  
PC

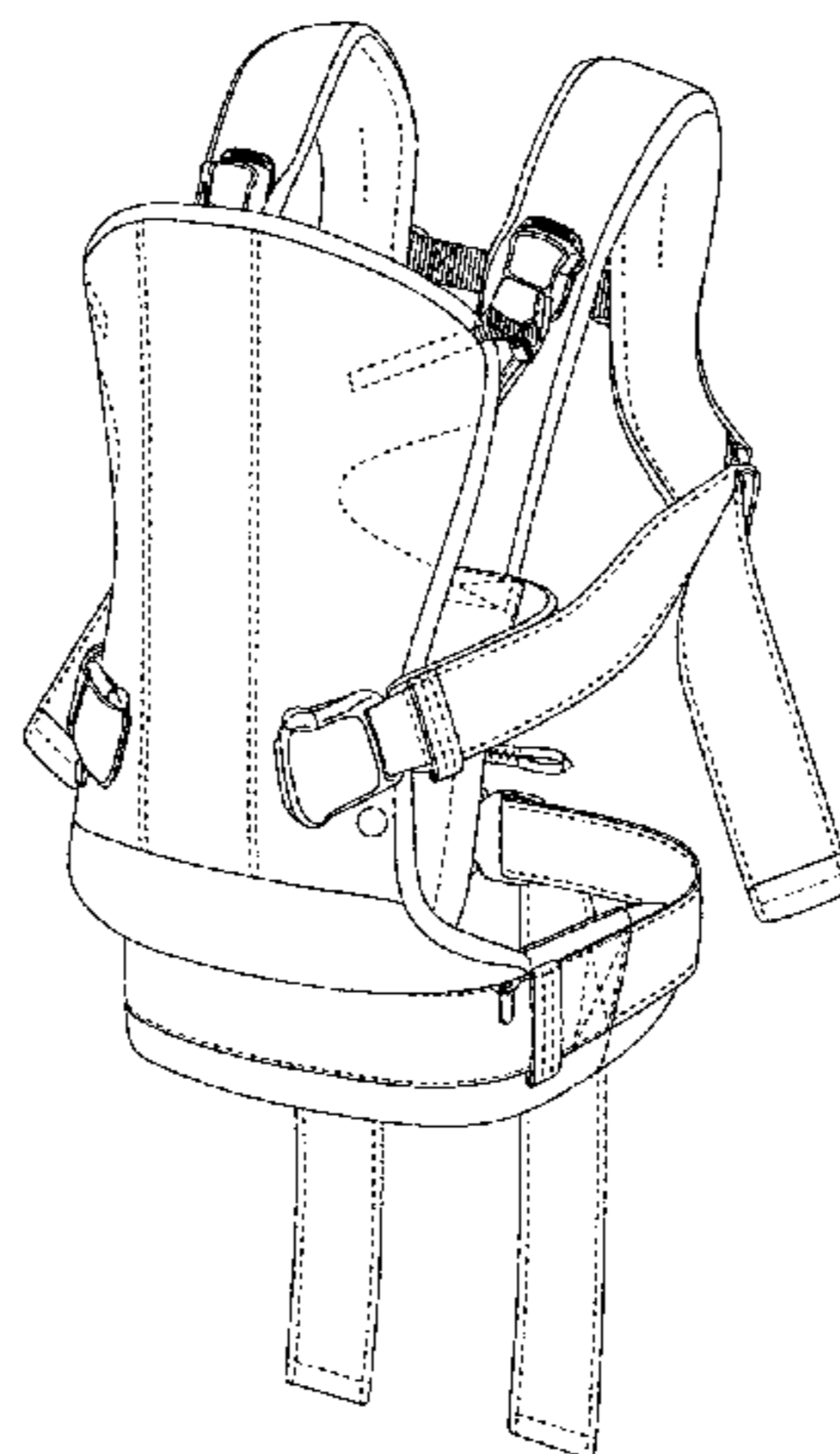
(57) **CLAIM**

The ornamental design for a baby carrier, as shown and described.

**DESCRIPTION**

FIG. 1 is a front perspective view showing our new design for a baby carrier,  
FIG. 2 is a front view thereof,  
FIG. 3 is a rear view thereof,  
FIG. 4 is a left side view thereof,  
FIG. 5 is a right side view thereof,  
FIG. 6 is a top view thereof; and,  
FIG. 7 is a bottom view thereof.  
The dotted lines in the figures represent stitching and form part of the claimed design.

**1 Claim, 7 Drawing Sheets**



(56)

**References Cited**

U.S. PATENT DOCUMENTS

D770,166 S *	11/2016	Figler .....	D3/213	2010/0200626 A1 *	8/2010	Moftakhar .....	A47D 13/025 224/160
D796,834 S *	9/2017	Pos .....	D3/213	2011/0089205 A1 *	4/2011	Coote .....	A47D 13/025 224/160
D802,912 S *	11/2017	Brodin .....	D3/213	2012/0061429 A1 *	3/2012	Sauer .....	A47D 13/025 224/160
D803,549 S *	11/2017	Warfaa .....	D3/214	2012/0187162 A1 *	7/2012	Bergkvist .....	A47D 13/025 224/160
D807,025 S *	1/2018	Elmberg .....	D3/214	2014/0231472 A1 *	8/2014	Cha .....	A47D 13/025 224/160
D827,293 S *	9/2018	Banach .....	D3/214	2015/0196133 A1 *	7/2015	Rosen .....	A47D 13/025 224/160
D833,735 S *	11/2018	Hauser .....	D3/214	2015/0282639 A1 *	10/2015	Chuah .....	A47D 13/025 224/160
D835,902 S *	12/2018	Young .....	D3/214	2016/0150893 A1 *	6/2016	Salazar .....	A47D 13/025 224/160
D841,976 S *	3/2019	Tormans .....	D3/214	2016/0227940 A1 *	8/2016	Wikner .....	A47D 13/025
2005/0051582 A1 *	3/2005	Frost .....	A47D 13/025 224/160	2017/0196374 A1 *	7/2017	Chen .....	A47D 13/025
2005/0184114 A1 *	8/2005	Hoff .....	A47D 13/025 224/160	2017/0238722 A1 *	8/2017	Flaunty .....	A47D 13/025
2008/0283560 A1 *	11/2008	Parness .....	A47D 13/025 224/160	2017/0332806 A1 *	11/2017	Liu .....	A47D 13/025
2009/0026235 A1 *	1/2009	Gray .....	A47D 13/025 224/160				

\* cited by examiner

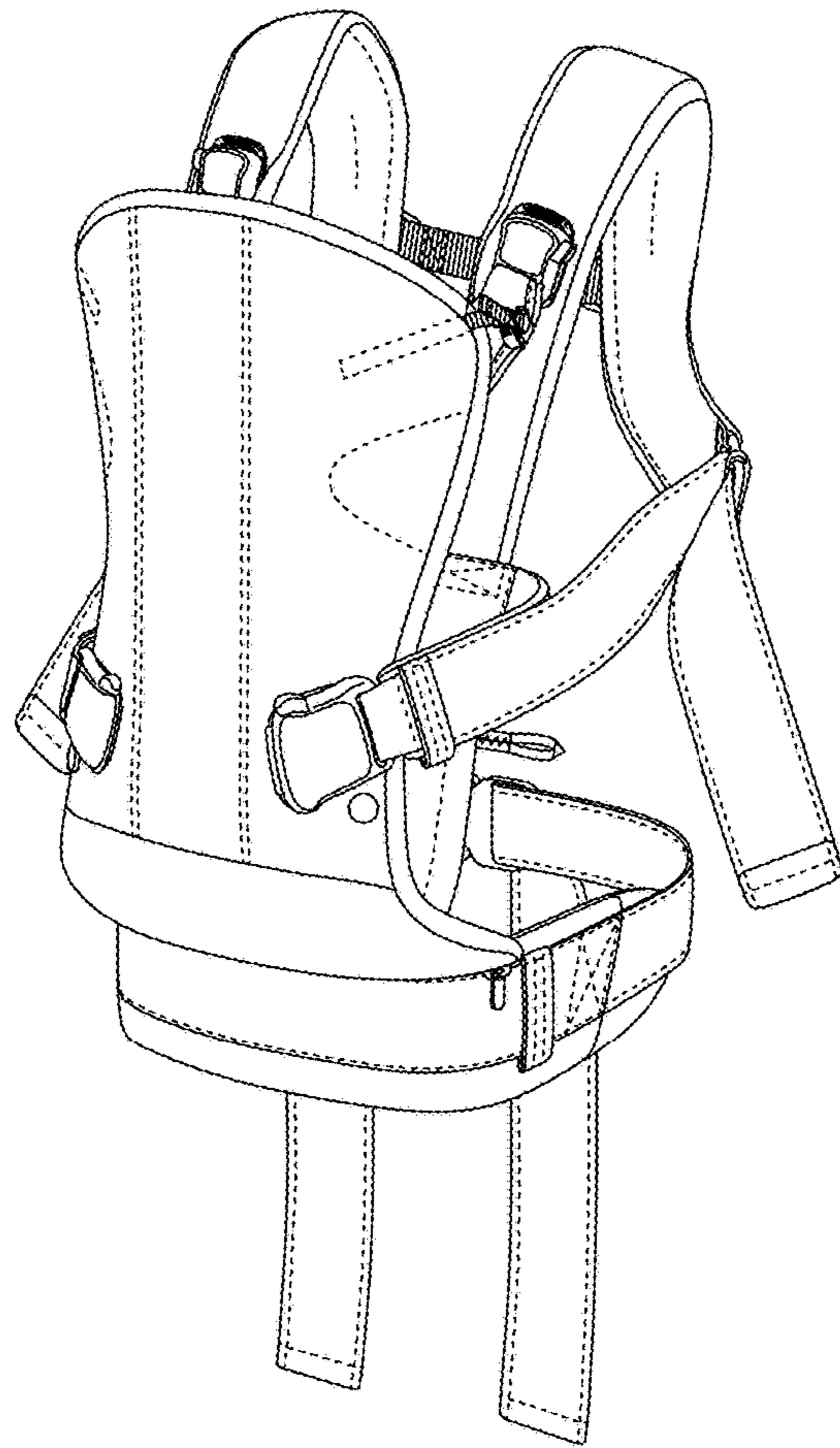


FIG. 1

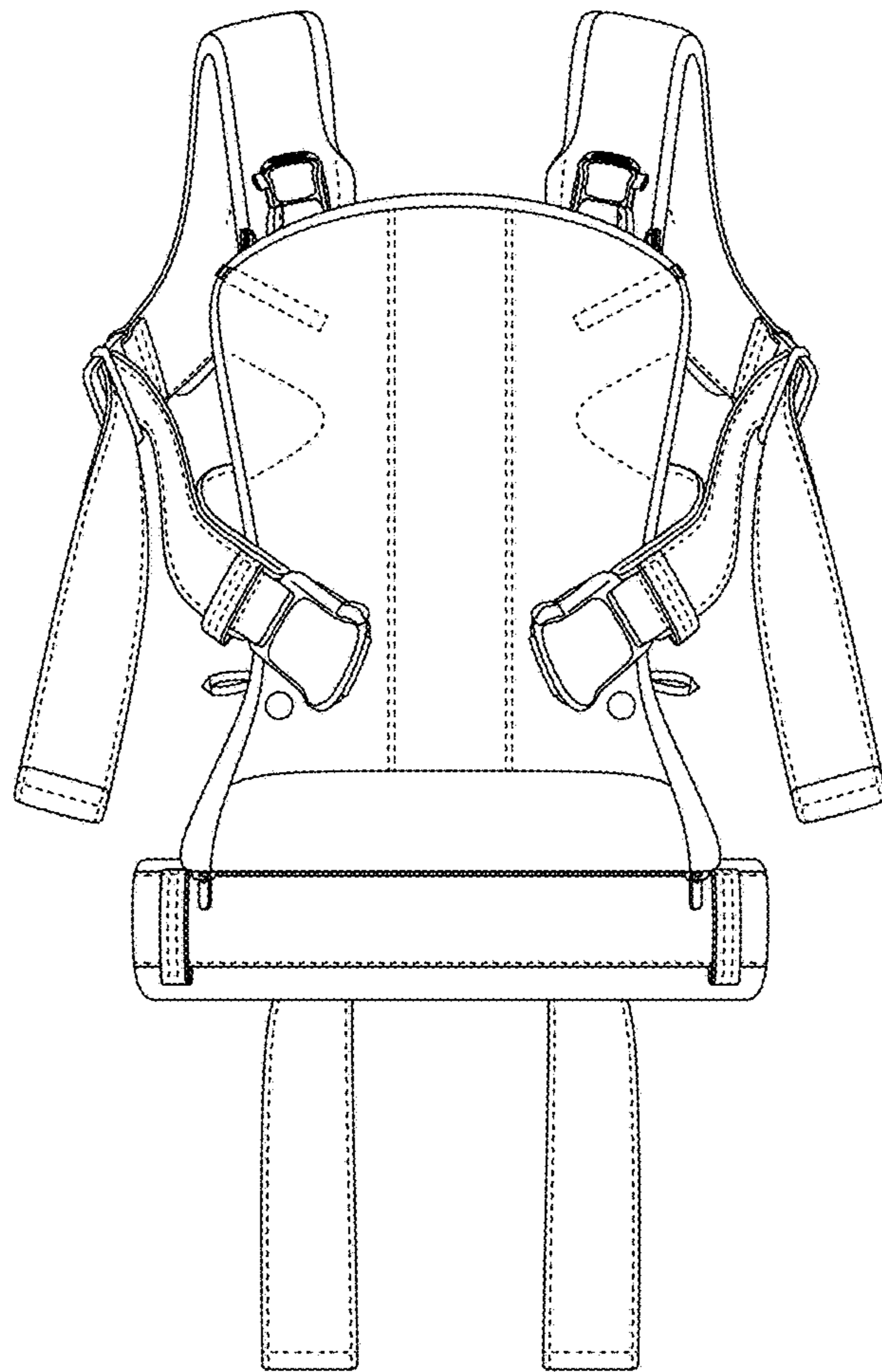


FIG. 2

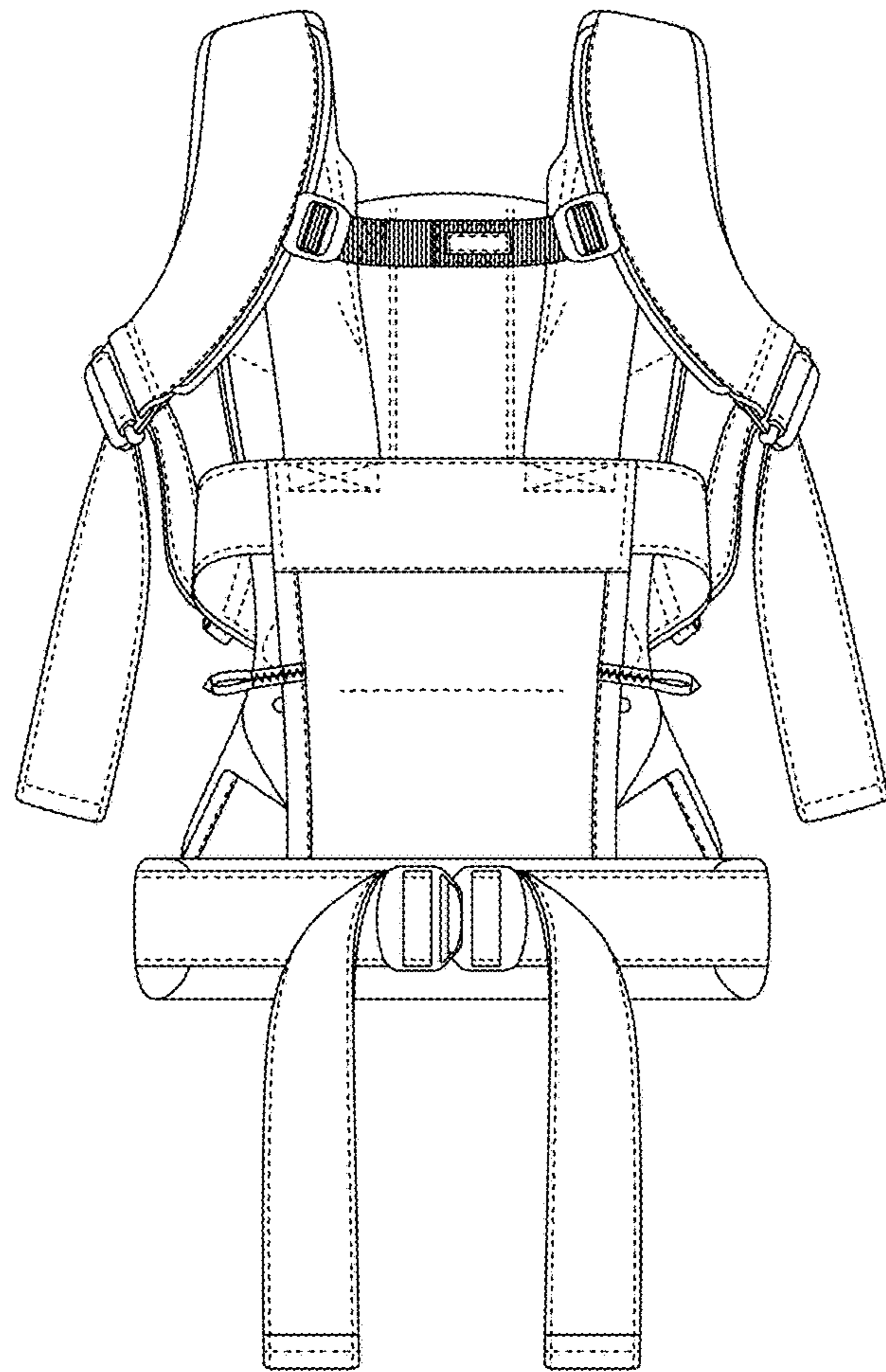


FIG. 3



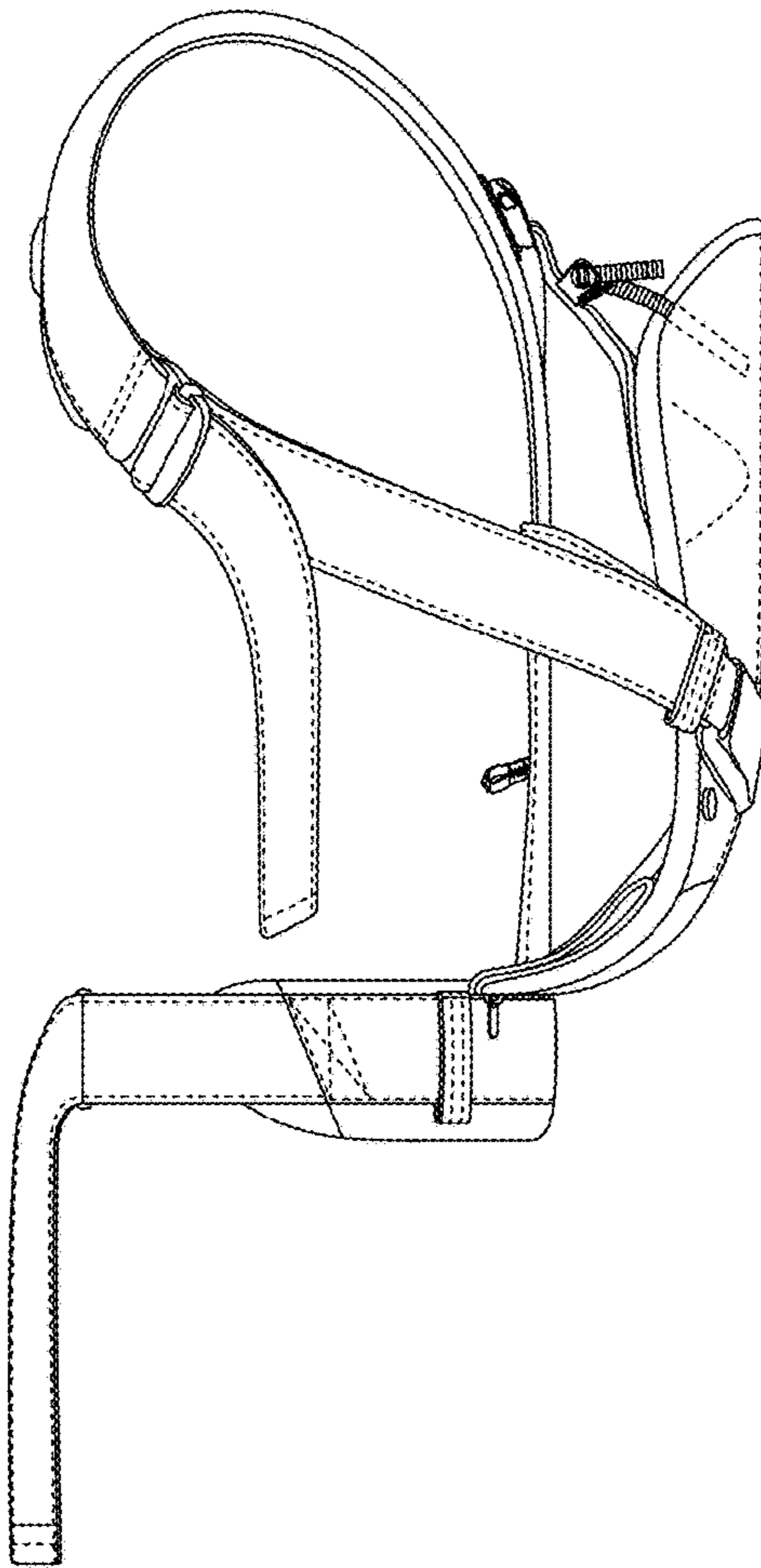


FIG. 4

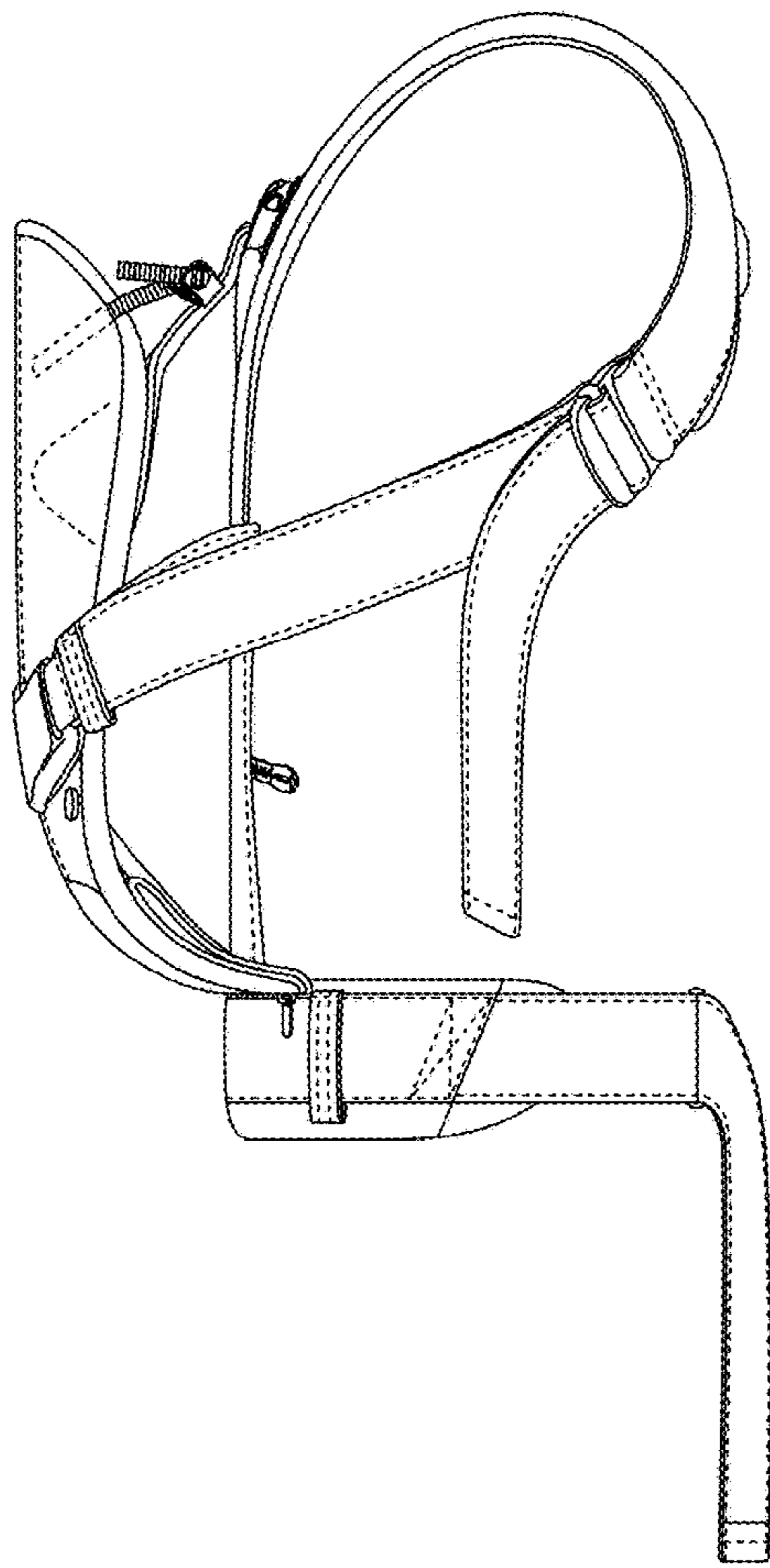


FIG. 5

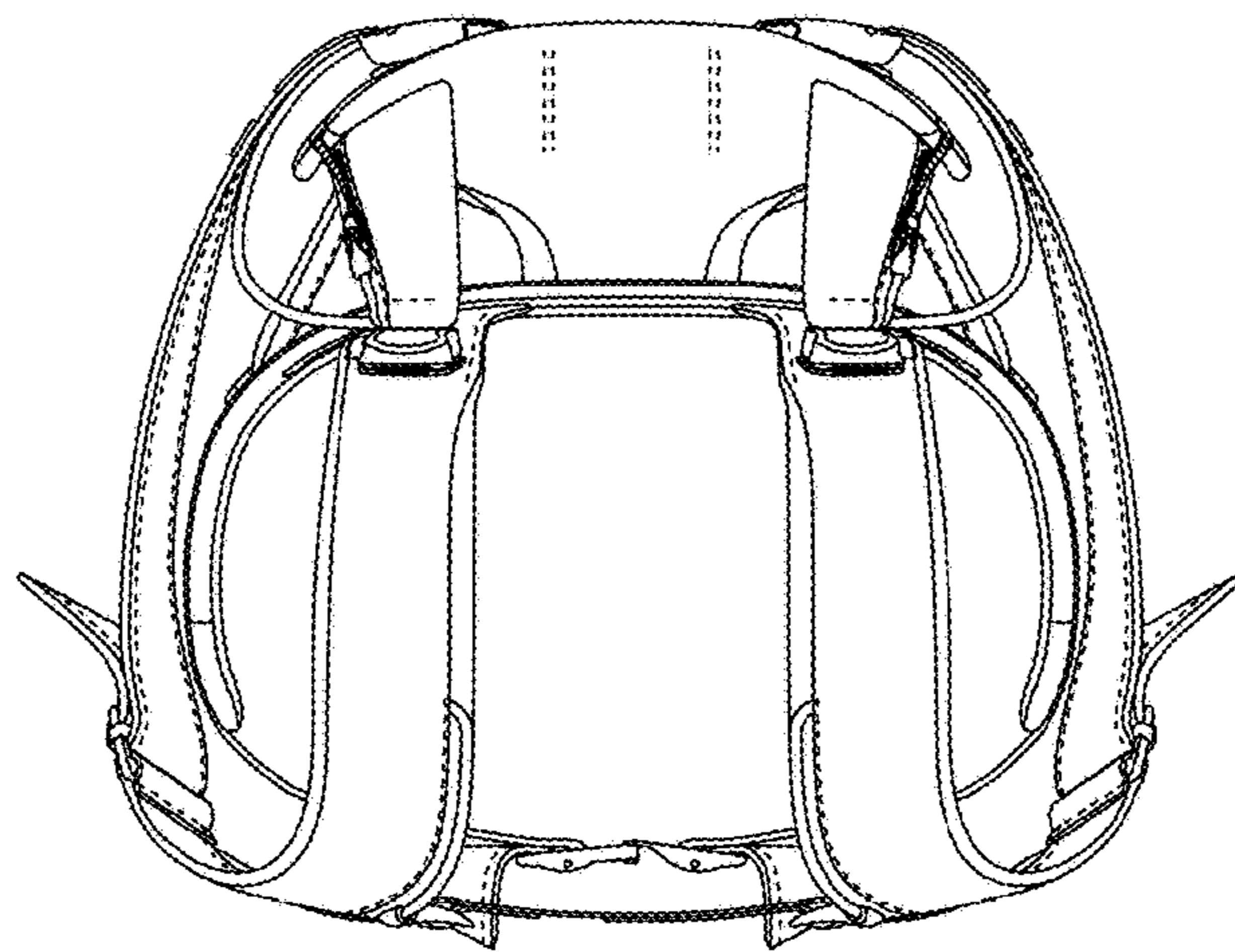


FIG. 6



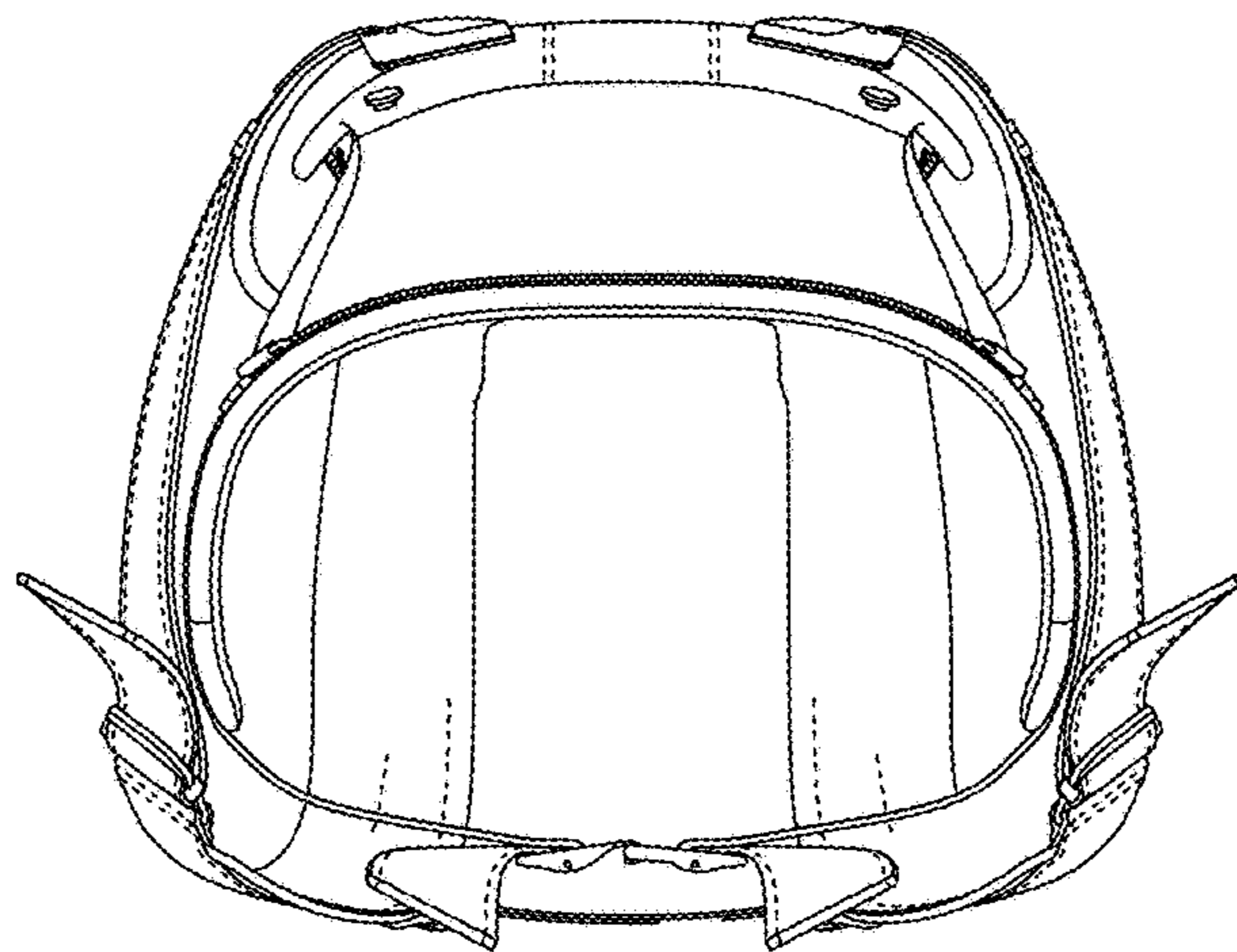


FIG. 7