



US00D851914S

(12) **United States Design Patent** (10) **Patent No.:** **US D851,914 S**
Meikle (45) **Date of Patent:** **** Jun. 25, 2019**

(54) **GUITAR CASE**
 (71) Applicant: **CMI Music Limited**, Durham (GB)
 (72) Inventor: **Chris Meikle**, Durham (GB)
 (73) Assignee: **CMI Music Limited**, Durham (GB)
 (**) Term: **15 Years**
 (21) Appl. No.: **29/633,481**
 (22) Filed: **Jan. 14, 2018**

5,805,066 A * 9/1998 Murdy G10G 7/005
 200/85 R
 D487,627 S * 3/2004 Izen D3/204
 D520,736 S * 5/2006 Messner D3/204
 7,687,701 B1 * 3/2010 Kushner G10G 7/005
 206/314
 7,872,187 B1 * 1/2011 Kushner G10G 7/005
 206/314
 8,978,884 B1 * 3/2015 Kushner G10G 7/005
 206/314
 D758,713 S * 6/2016 Bailey, II D3/204
 D795,567 S * 8/2017 Goetz D3/204
 D828,015 S * 9/2018 Belitz D3/204

* cited by examiner

(30) **Foreign Application Priority Data**
 Jul. 25, 2017 (GB) 6015922
 Nov. 8, 2017 (CN) 2017 3 05464401
 (51) **LOC (11) Cl.** **03-01**
 (52) **U.S. Cl.**
 USPC **D3/204**
 (58) **Field of Classification Search**
 USPC D3/201, 204, 273, 276; D17/14–20
 CPC G10G 7/005
 See application file for complete search history.

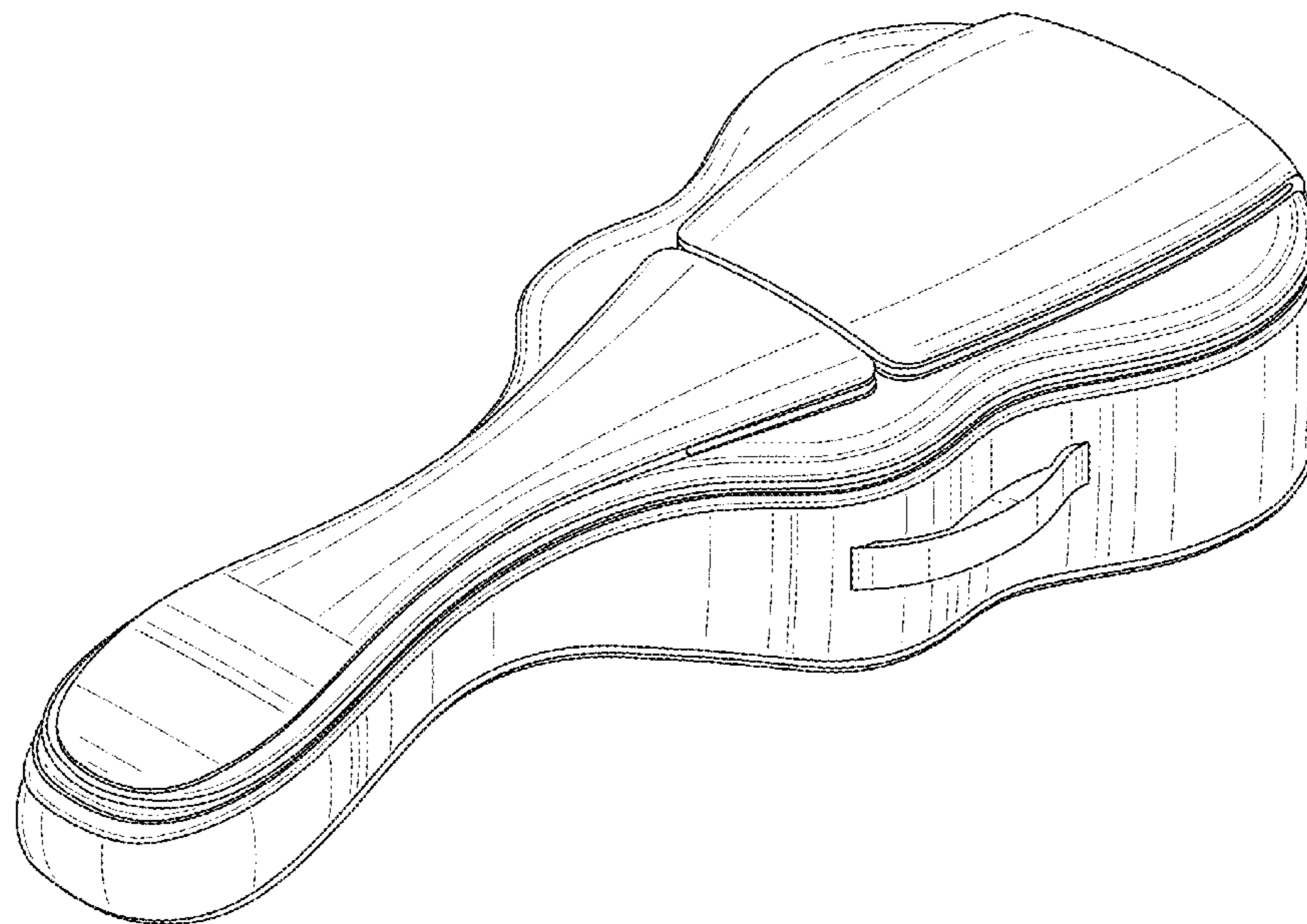
Primary Examiner — Mitchell I. Siegel
 (74) *Attorney, Agent, or Firm* — Mandelbaum Silfin
 Economou LLP

(56) **References Cited**
 U.S. PATENT DOCUMENTS
 D19,736 S * 4/1890 Kleineick D3/204
 D35,833 S * 4/1902 Kennedy D3/204
 1,986,393 A * 1/1935 Geib G10G 7/005
 150/162
 D205,723 S * 9/1966 Cohen et al. D3/204
 D269,922 S * 8/1983 Dembicks D3/204
 D287,578 S * 1/1987 Shay D11/157
 5,219,075 A * 6/1993 White A45C 5/02
 150/162
 D396,345 S * 7/1998 Sanderson D3/204

(57) **CLAIM**
 The ornamental design for a guitar case, as shown and described.

DESCRIPTION
 FIG. 1 is a perspective view of a guitar case showing my new design;
 FIG. 2 is a second perspective view of the guitar case of FIG. 1;
 FIG. 3 is a third perspective view of the guitar case of FIG. 1;
 FIG. 4 is a top view of the guitar case of FIG. 1;
 FIG. 5 is a bottom view of the guitar case of FIG. 1;
 FIG. 6 is a right side view of the guitar case of FIG. 1;
 FIG. 7 is a left side view of the guitar case of FIG. 1;
 FIG. 8 is a front view of the guitar case of FIG. 1; and,
 FIG. 9 is a back view of the guitar case of FIG. 1.

1 Claim, 9 Drawing Sheets



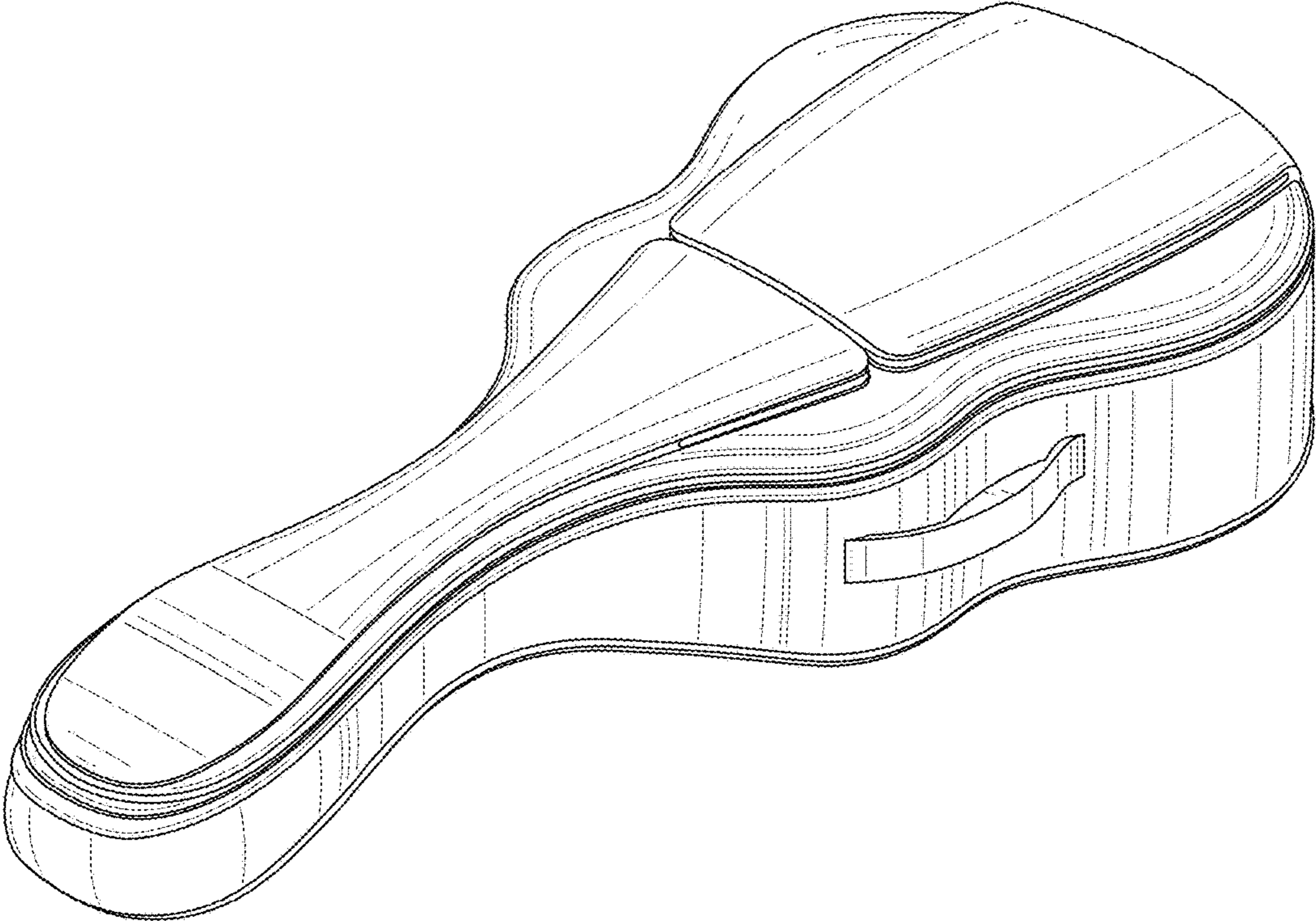


FIG. 1

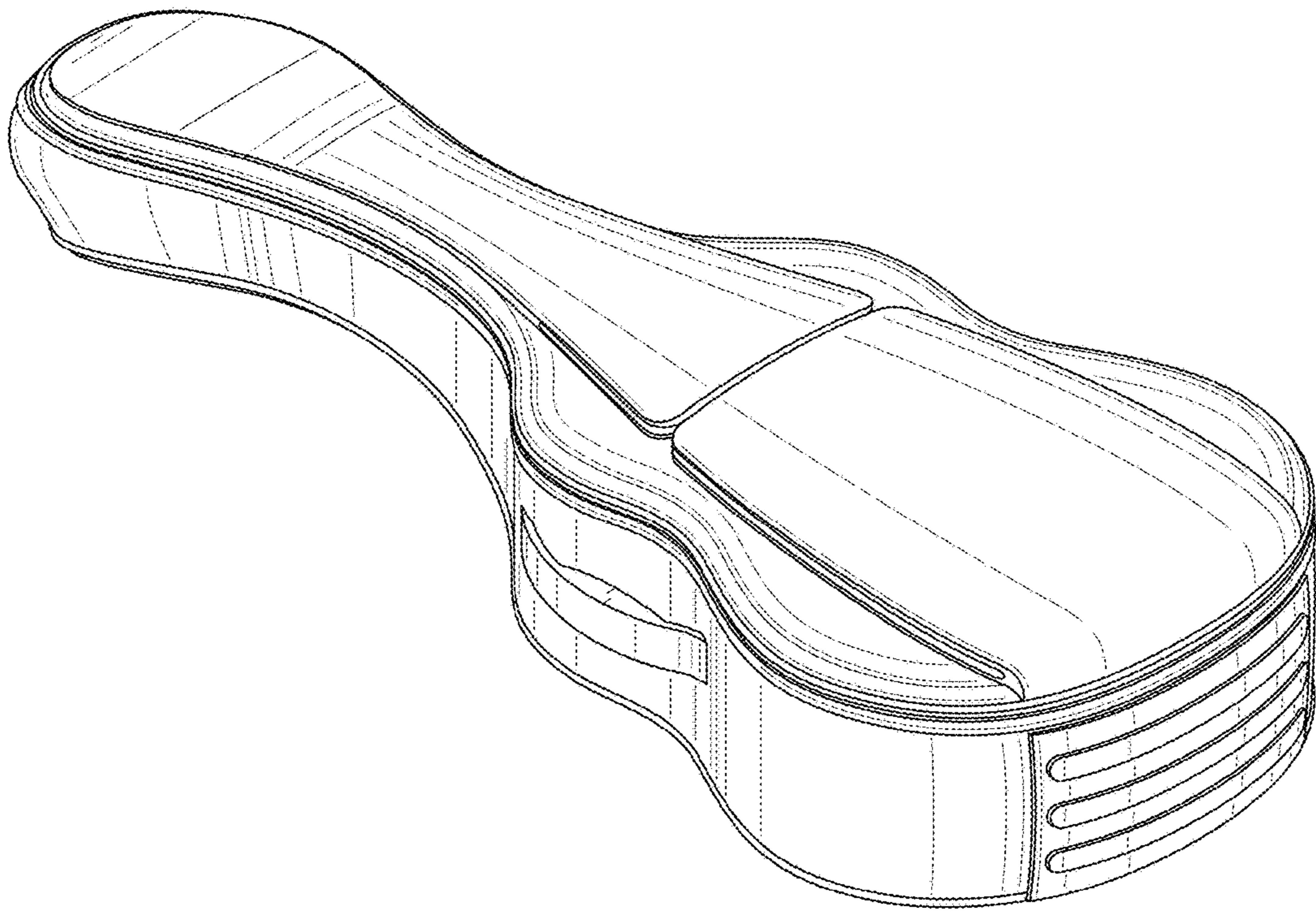


FIG. 2

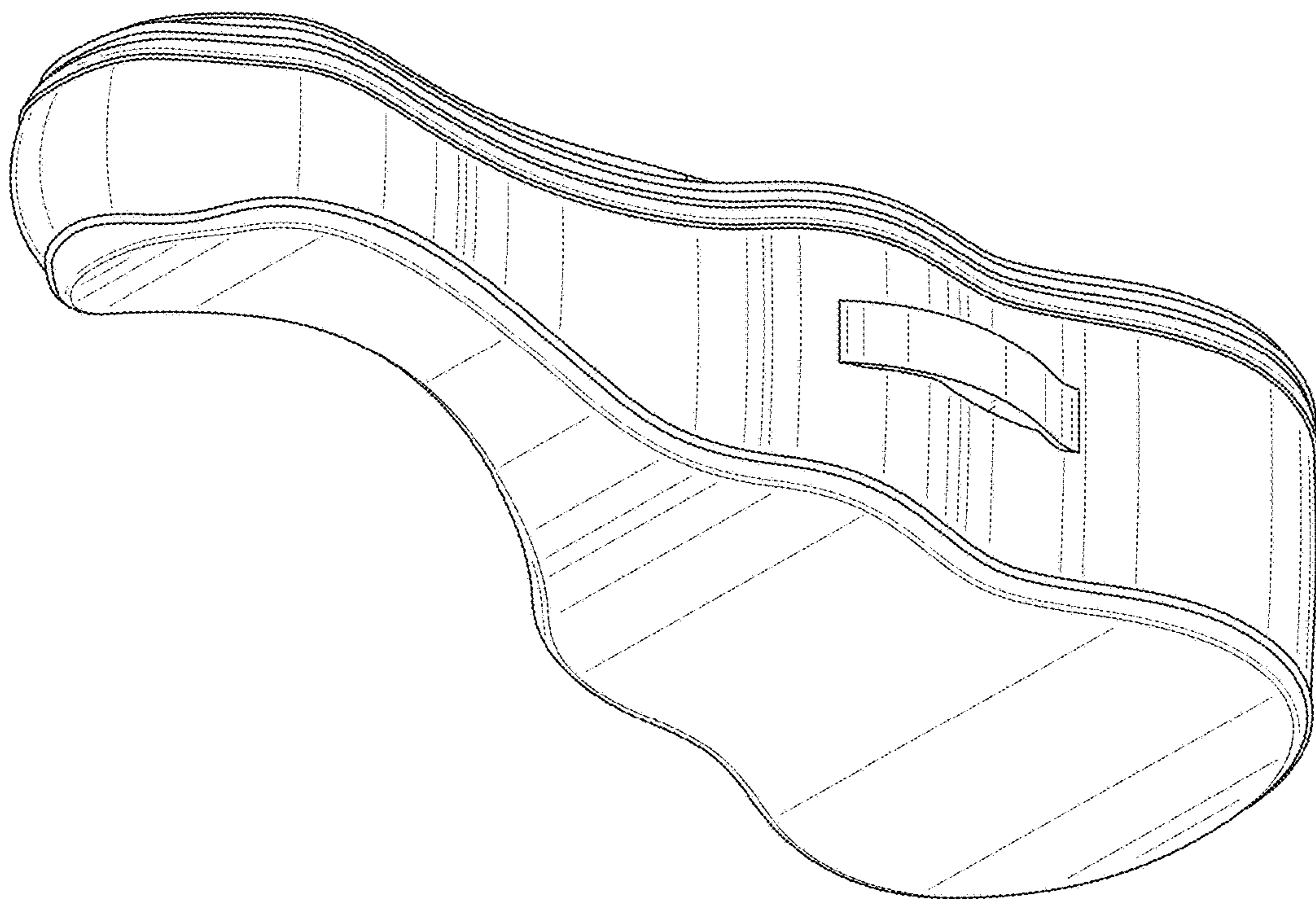


FIG. 3

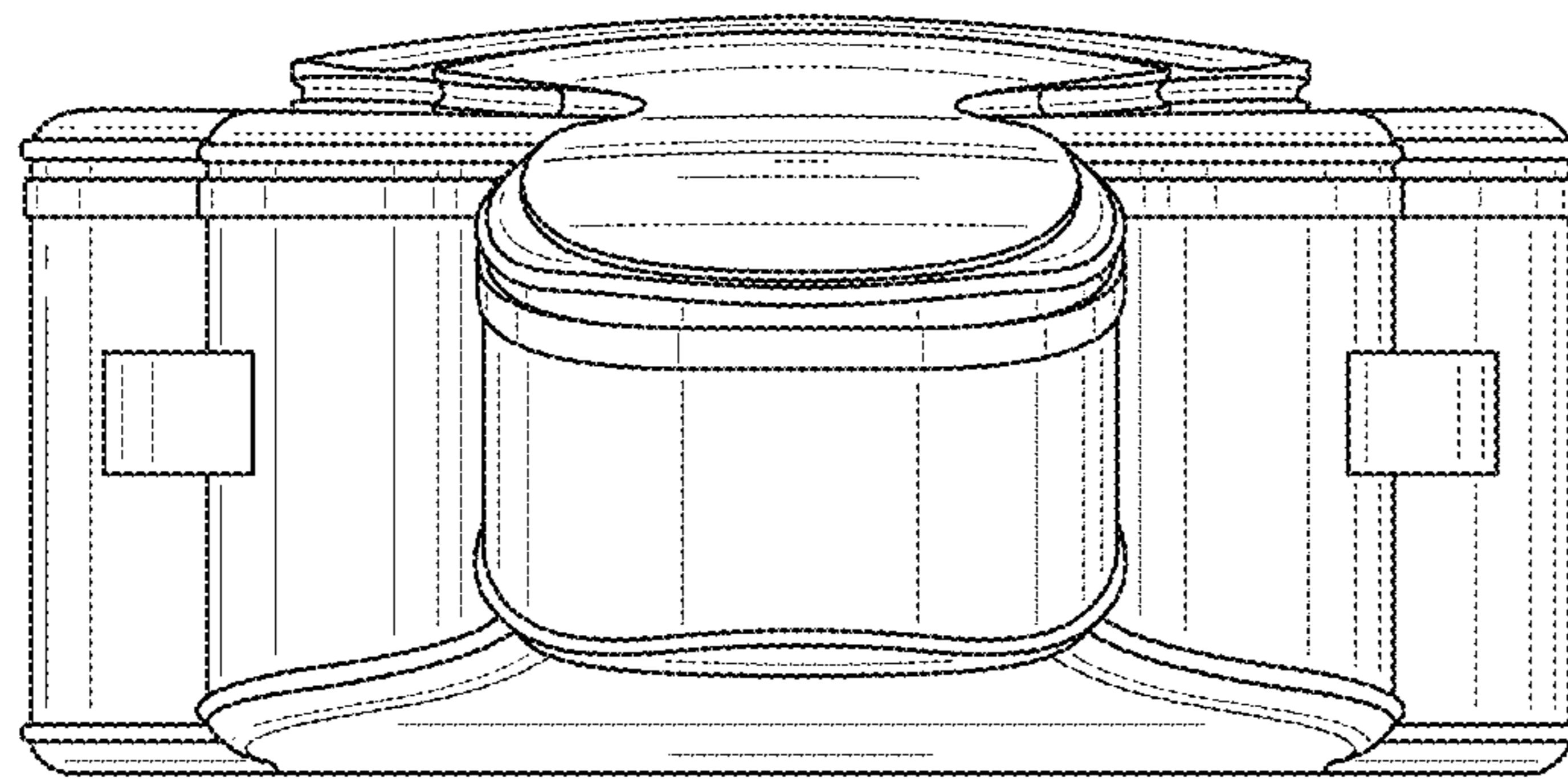


FIG. 4

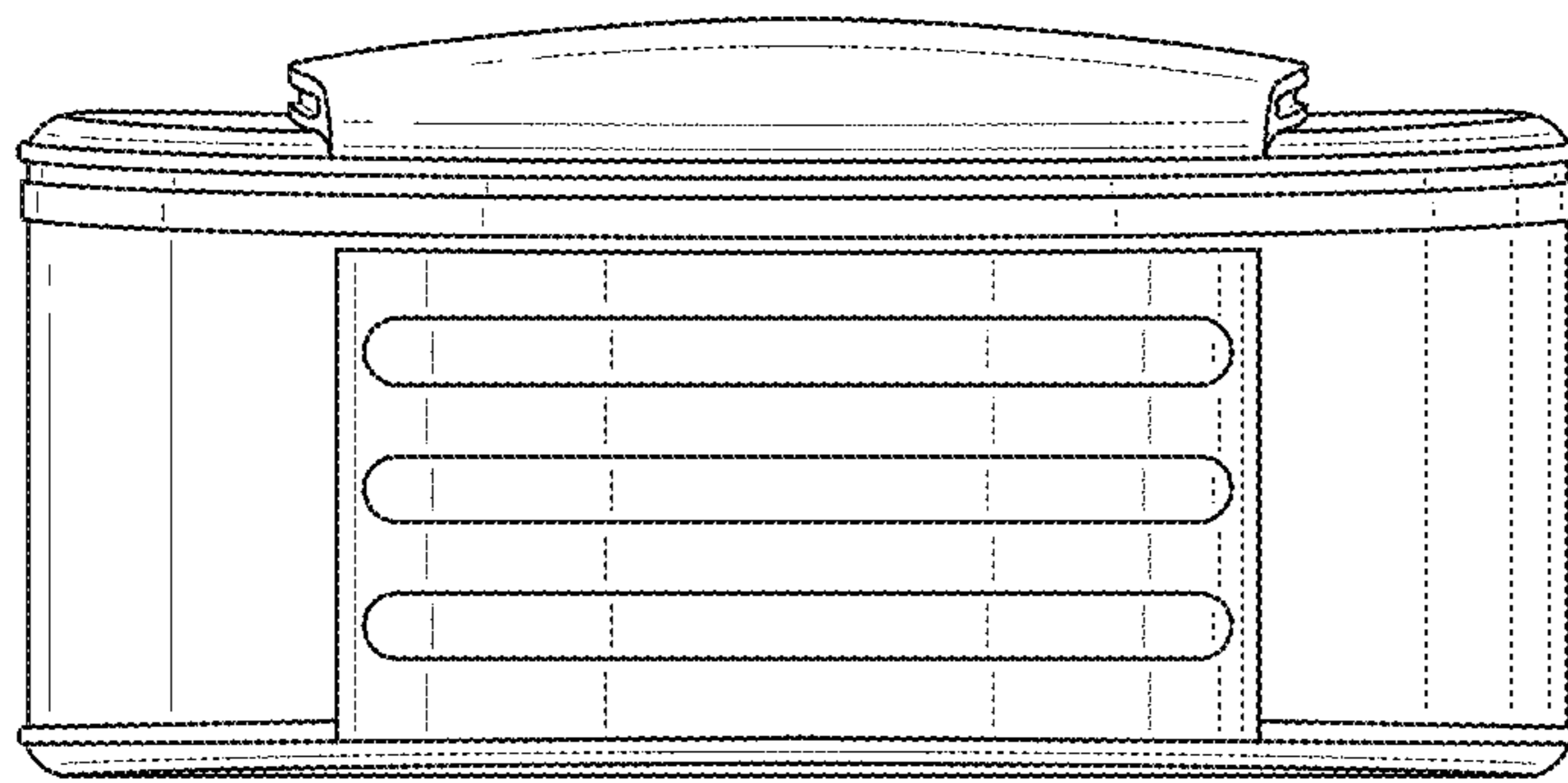


FIG. 5

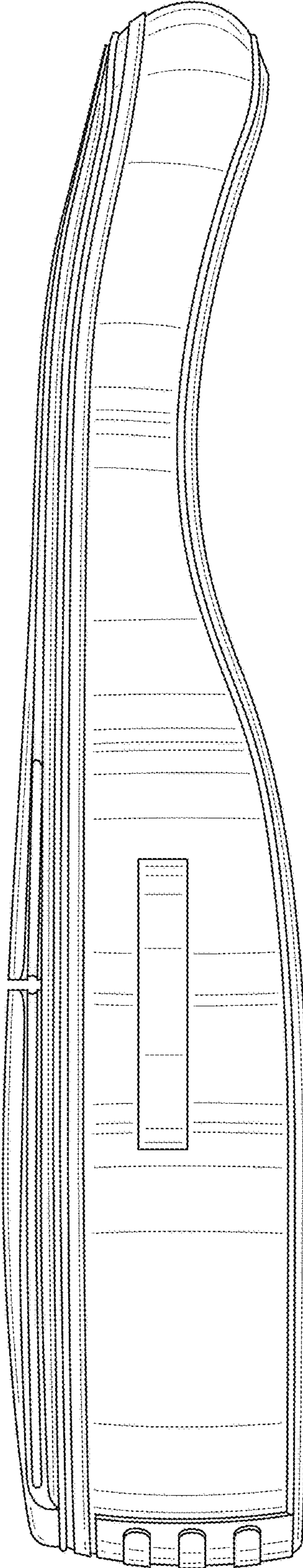


FIG. 6

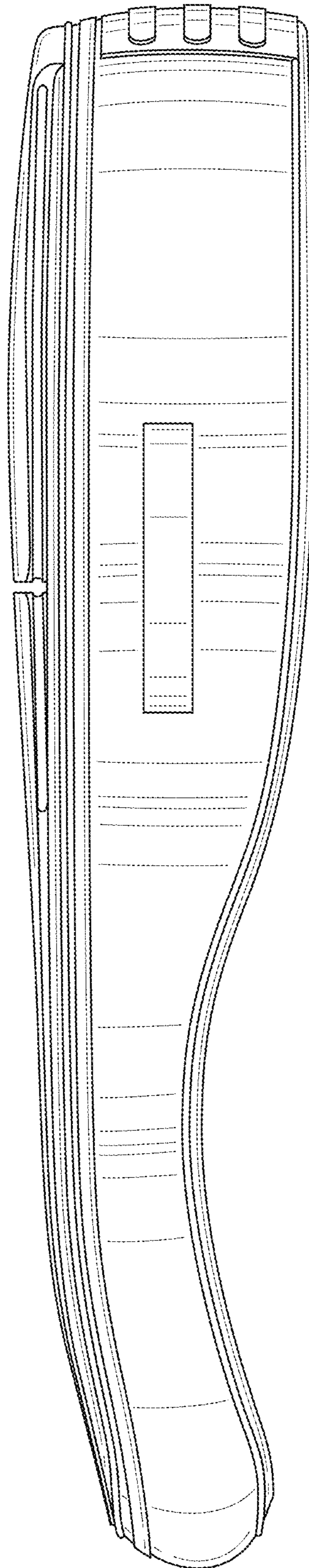


FIG. 7

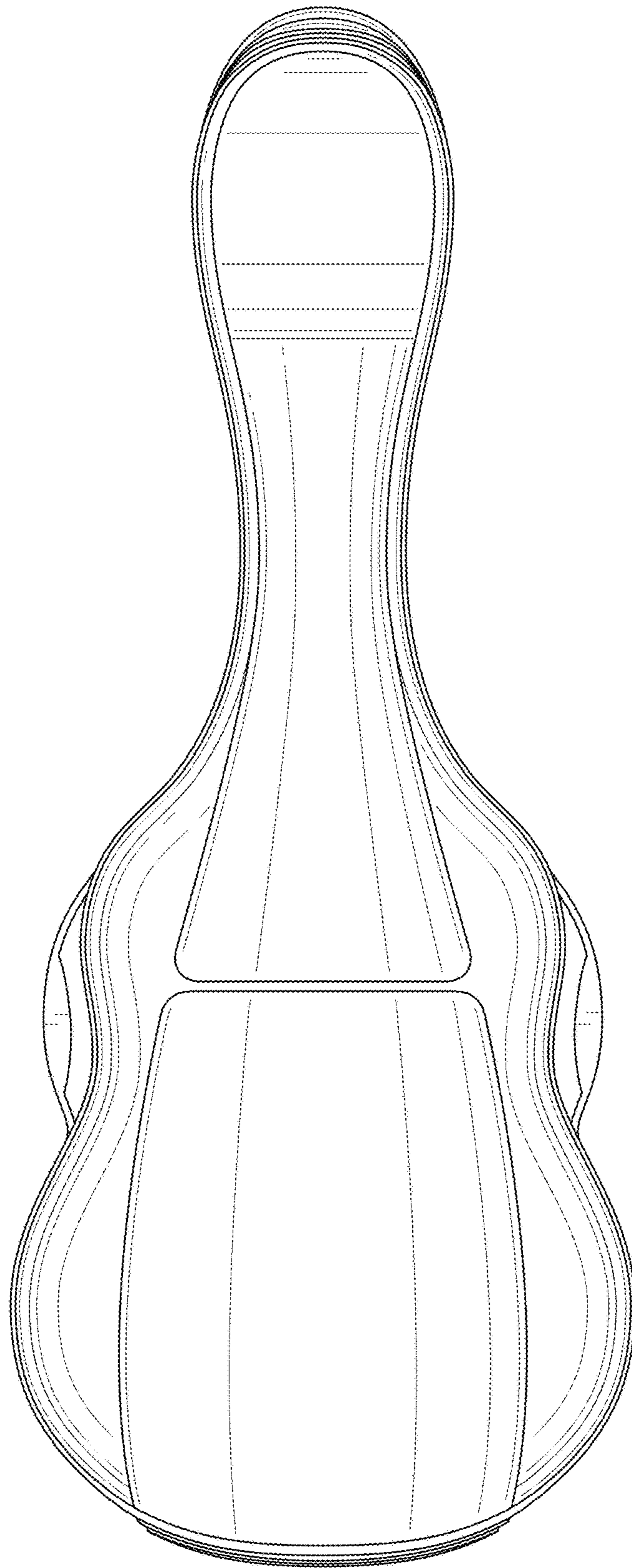


FIG. 8

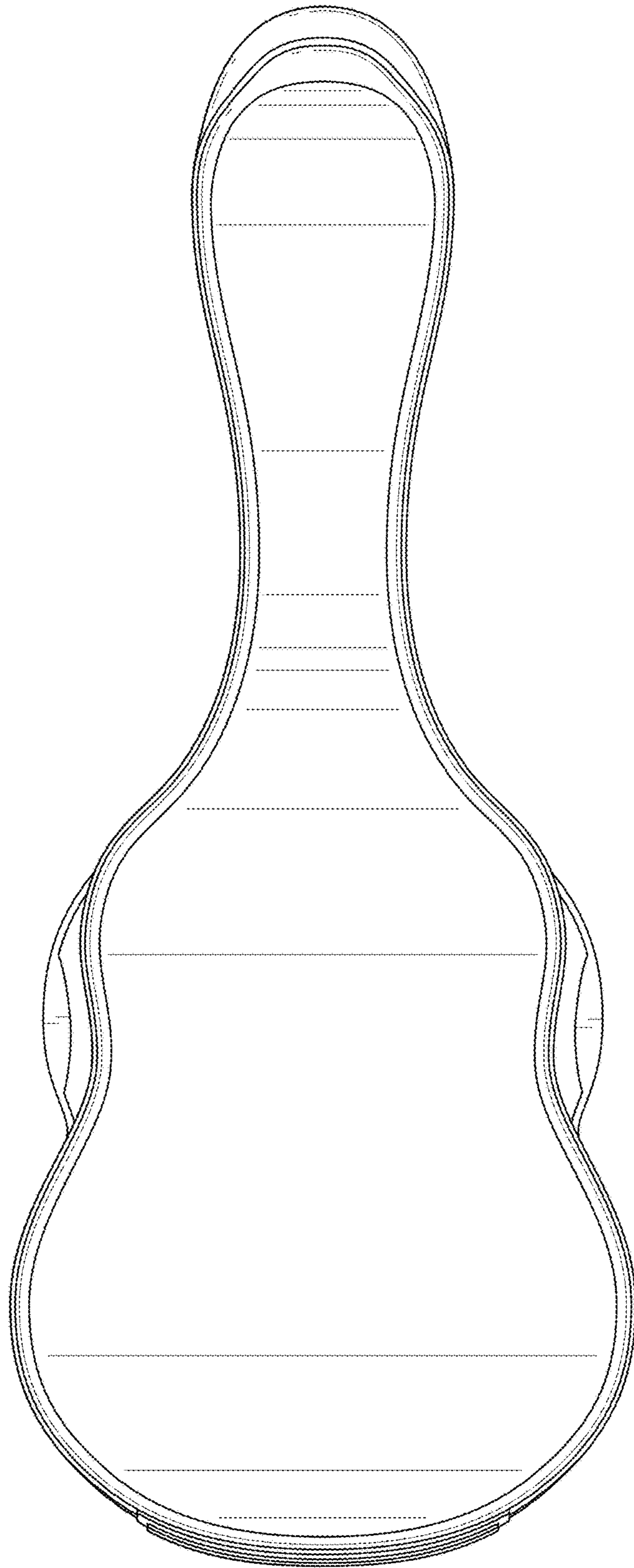


FIG. 9