



US00D851912S

(12) **United States Design Patent**
Kim et al.

(10) **Patent No.:** **US D851,912 S**
(45) **Date of Patent:** **** Jun. 25, 2019**

(54) **PACKAGING**

(71) Applicant: **Samsung Electronics Co., Ltd.**,
Suwon-si (KR)

(72) Inventors: **Taegyu Kim**, Seoul (KR); **Jong Yun Shin**, Seoul (KR)

(73) Assignee: **SAMSUNG ELECTRONICS CO., LTD.**, Suwon-si (KR)

(**) Term: **15 Years**

(21) Appl. No.: **29/575,242**

(22) Filed: **Aug. 23, 2016**

(30) **Foreign Application Priority Data**

Feb. 24, 2016 (KR) 30-2016-0008552

(51) **LOC (11) Cl.** **03-01**

(52) **U.S. Cl.**
USPC **D3/201**

(58) **Field of Classification Search**
USPC D3/201, 207, 208, 215, 226, 228, 229,
D3/230, 269, 273, 290, 299, 303, 304,
D3/316, 318; D9/702, 707, 711, 713;
D19/3

CPC B65D 83/384; F41H 9/10
See application file for complete search history.

(56) **References Cited**

U.S. PATENT DOCUMENTS

1,091,172 A * 3/1914 Thayer B65D 27/06
229/302
D339,604 S * 9/1993 Gerber-Phinny D19/3
D429,070 S * 8/2000 Marshall D28/83

D544,030 S * 6/2007 LaDue D19/27
D590,440 S * 4/2009 Taute D19/3
D592,074 S * 5/2009 Johnson D9/707
D657,693 S * 4/2012 Krankkala D9/711
D681,729 S * 5/2013 Glass D19/3
D715,158 S * 10/2014 Chen D9/707
D725,700 S * 3/2015 Bridges D19/2
D780,843 S * 3/2017 Johansson D19/3
D795,703 S * 8/2017 Contessa D5/1
D823,594 S * 7/2018 Newman D3/203.5

FOREIGN PATENT DOCUMENTS

KR 30-0435521 1/2007

* cited by examiner

Primary Examiner — Holly E Thurman

(74) *Attorney, Agent, or Firm* — McAndrews Held & Malloy, Ltd.

(57) **CLAIM**

The ornamental design for a packaging, as shown and described.

DESCRIPTION

FIG. 1 is a front perspective view of packaging showing our new design;
FIG. 2 is a front elevation view thereof;
FIG. 3 is a rear elevation view thereof;
FIG. 4 is a left-side elevation view thereof;
FIG. 5 is a right-side elevation view thereof;
FIG. 6 is a top plan view thereof;
FIG. 7 is a bottom plan view thereof; and,
FIG. 8 is a rear perspective view thereof.

The dashed broken lines in the figures represent portions of the packaging that form no part of the claimed design.

1 Claim, 8 Drawing Sheets

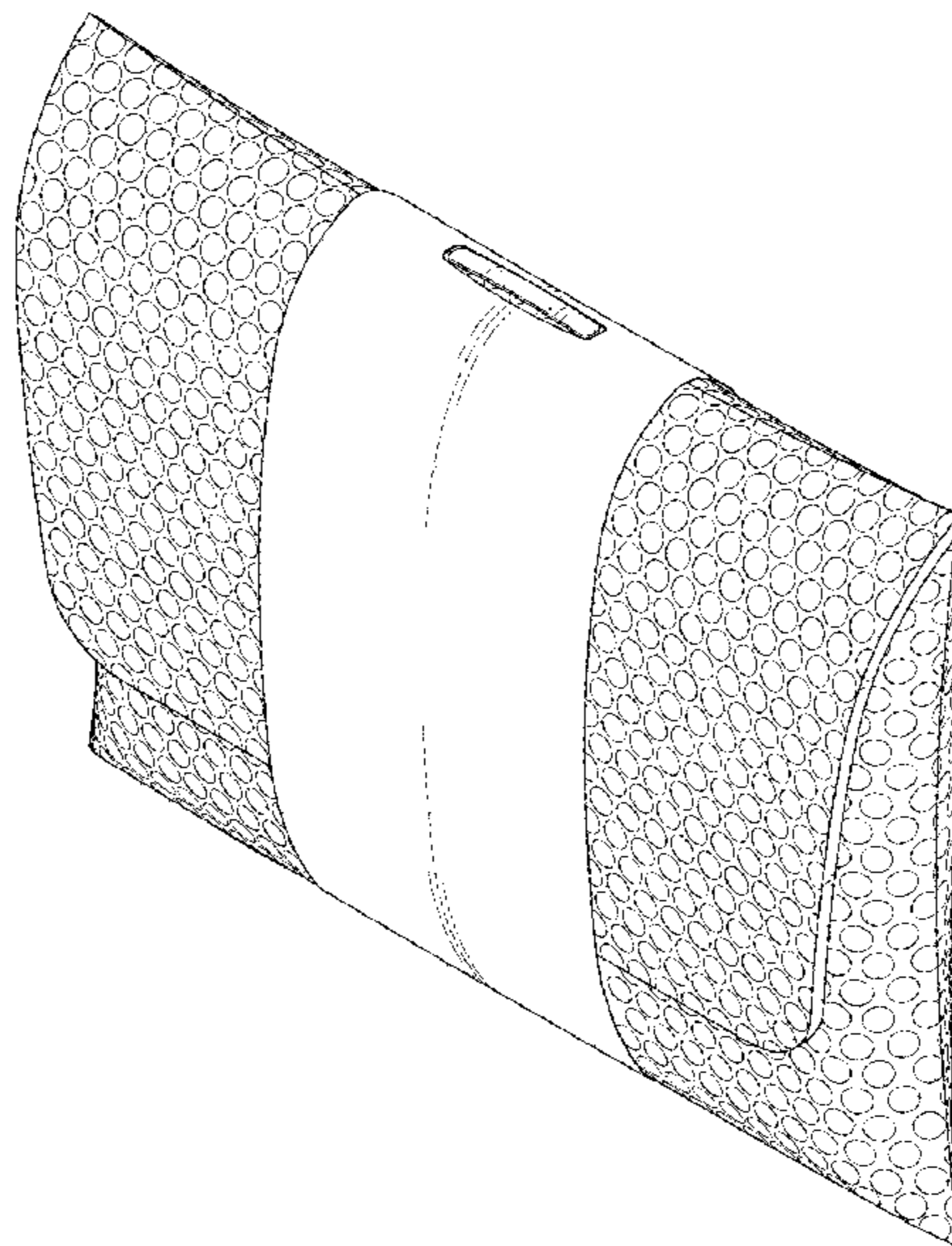


FIG. 1

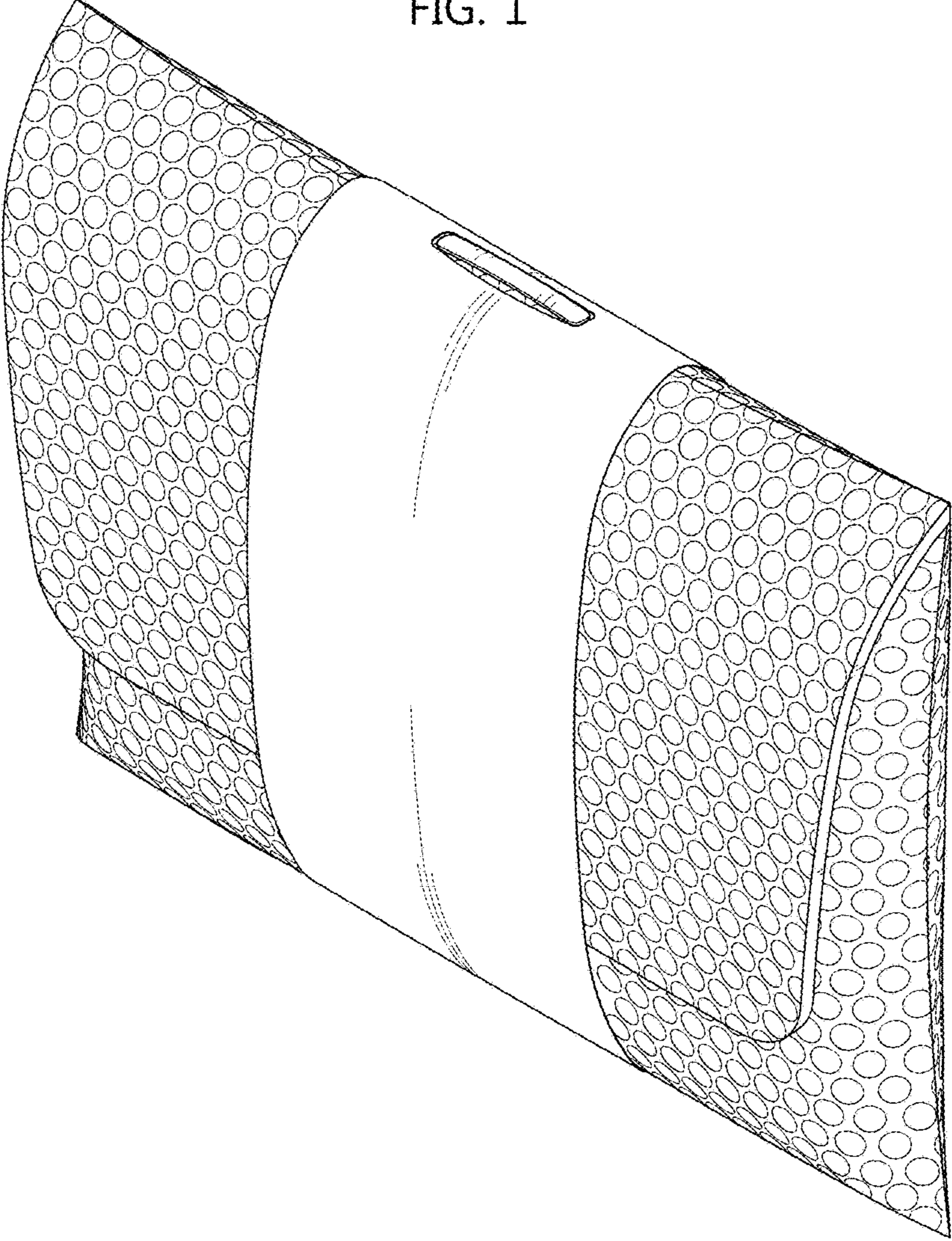


FIG. 2

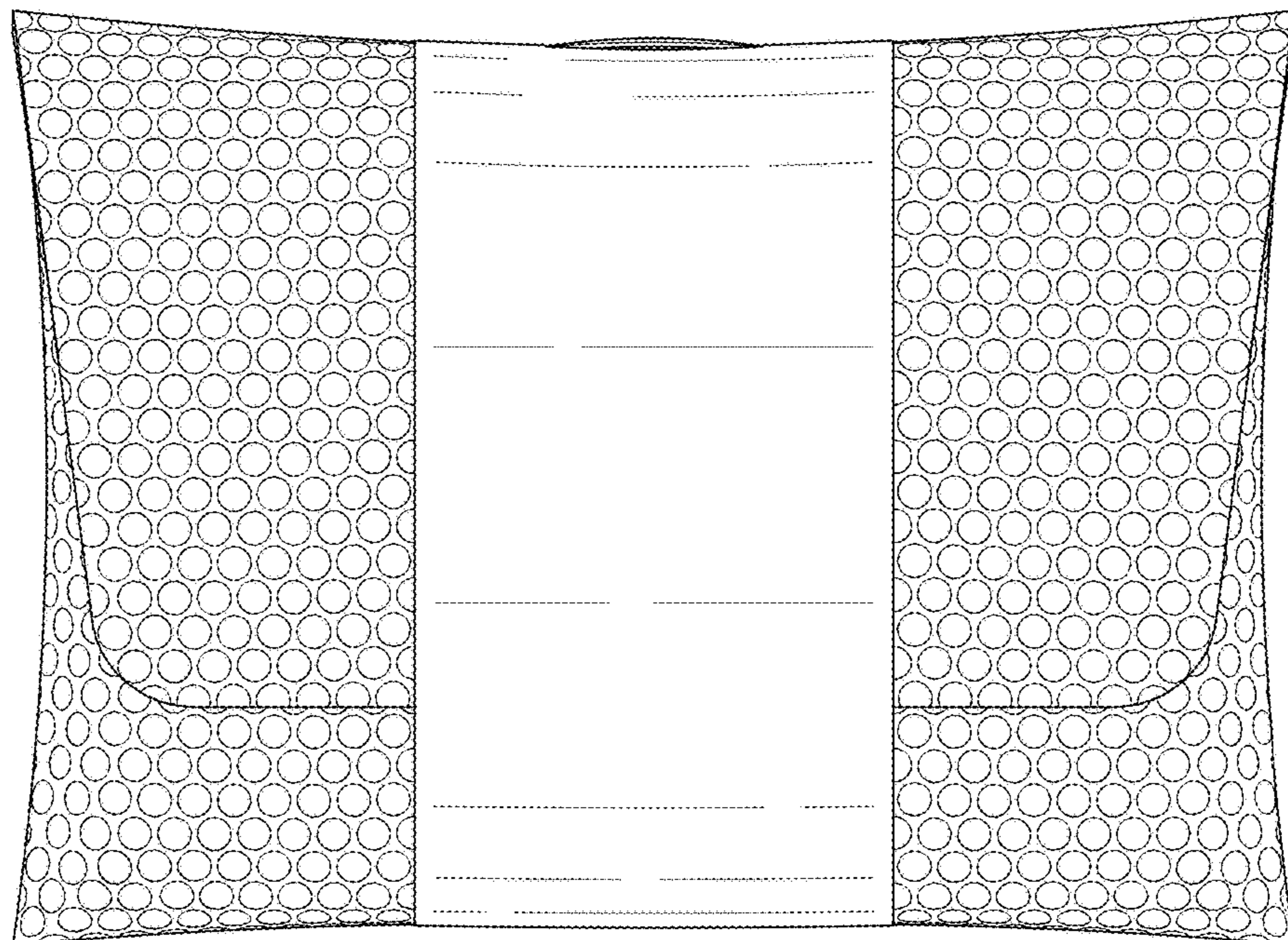


FIG. 3

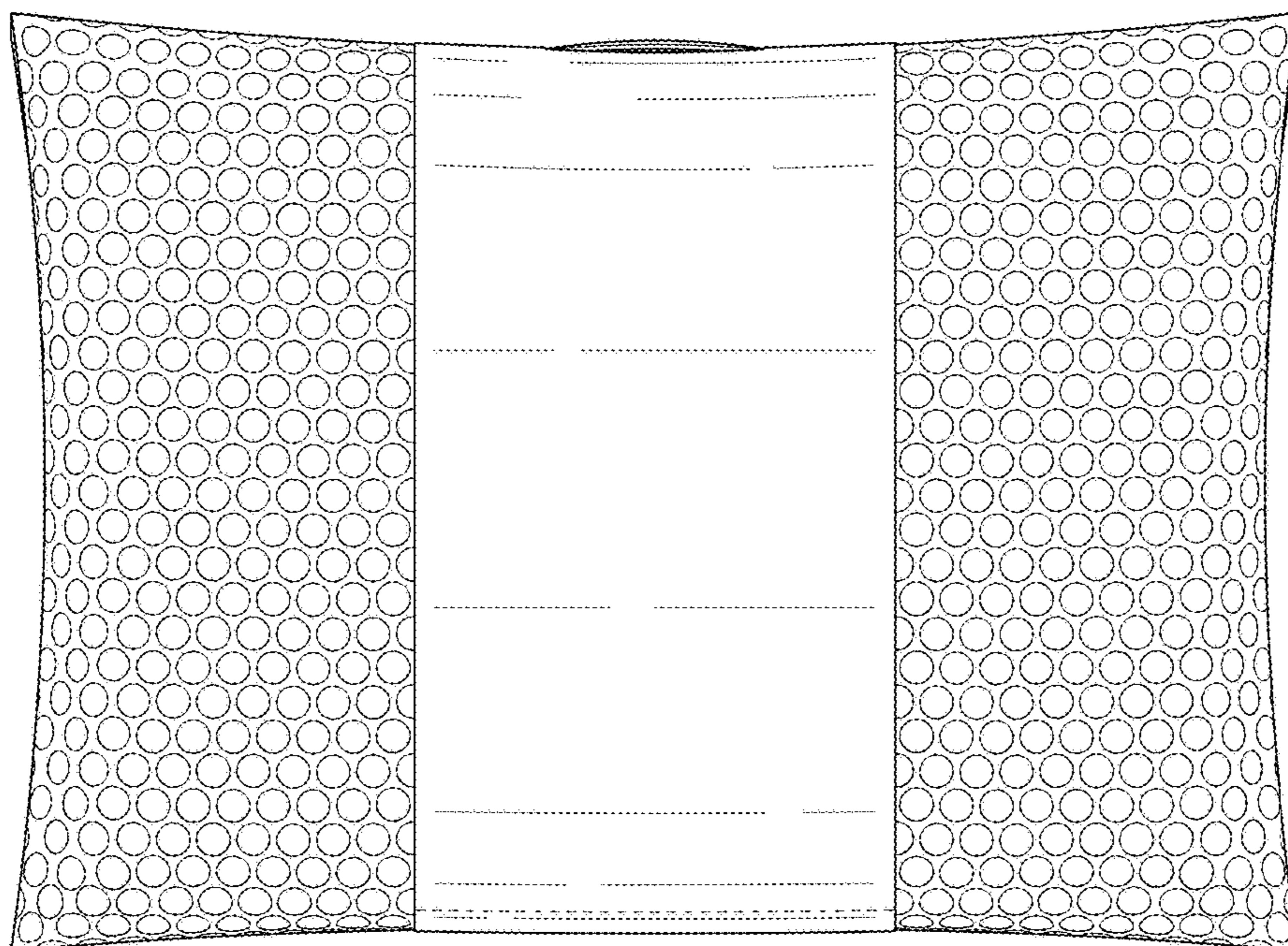


FIG. 4

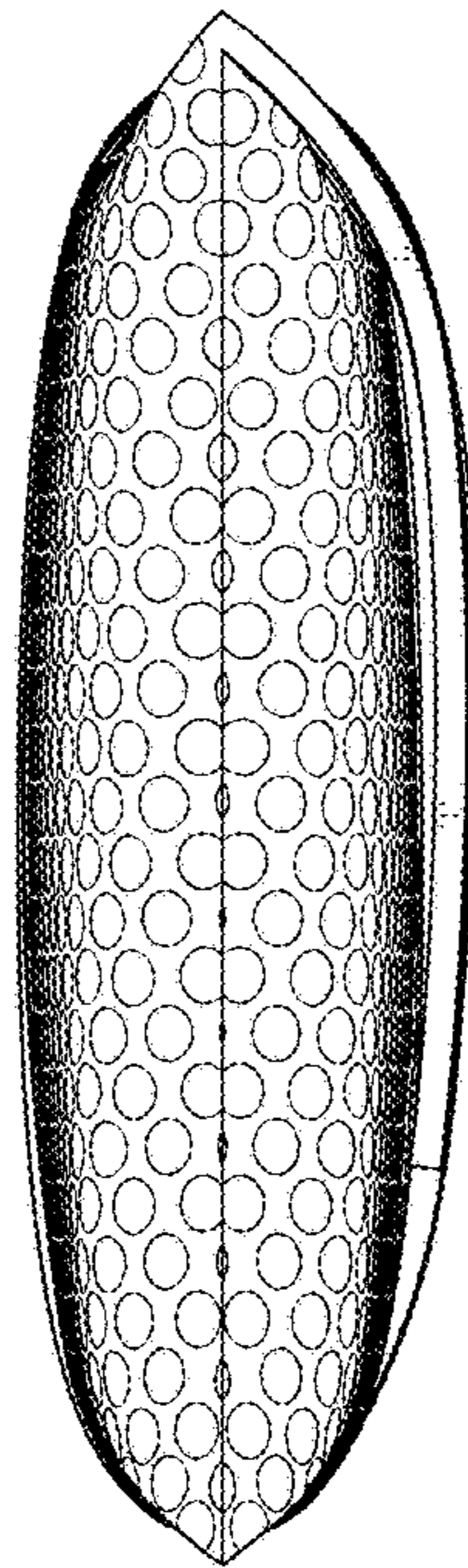


FIG. 5

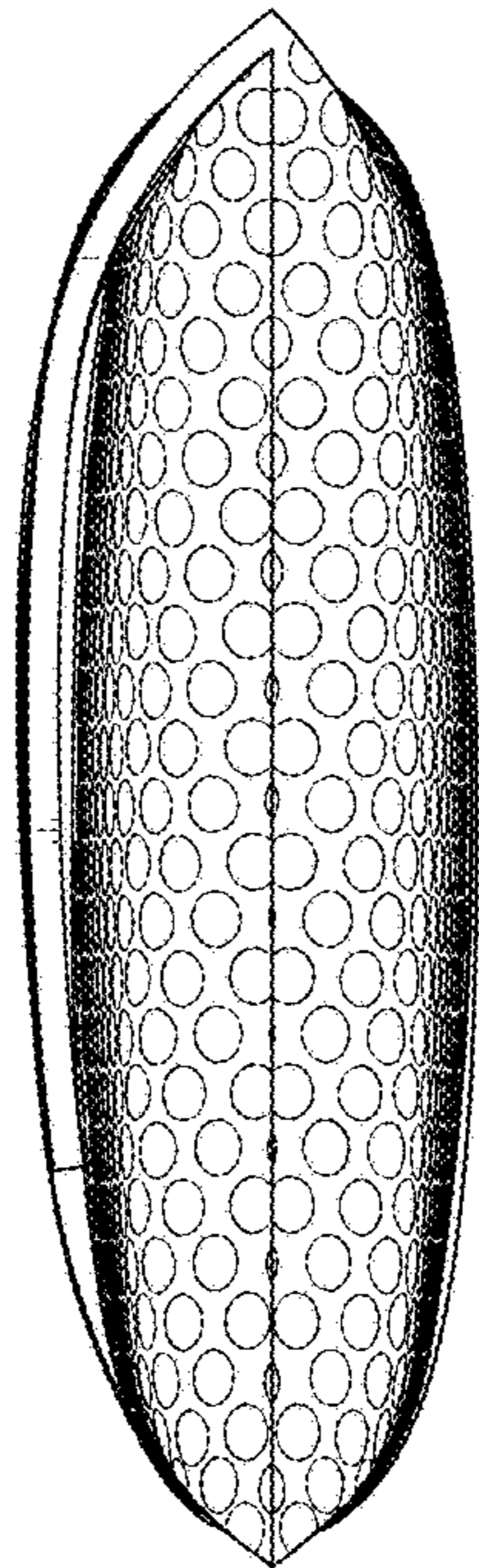


FIG. 6

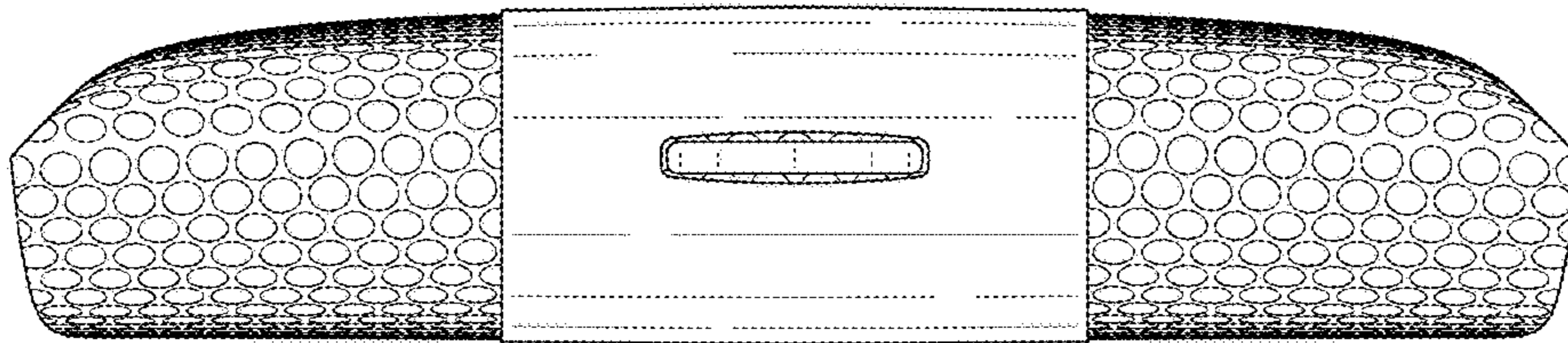


FIG. 7

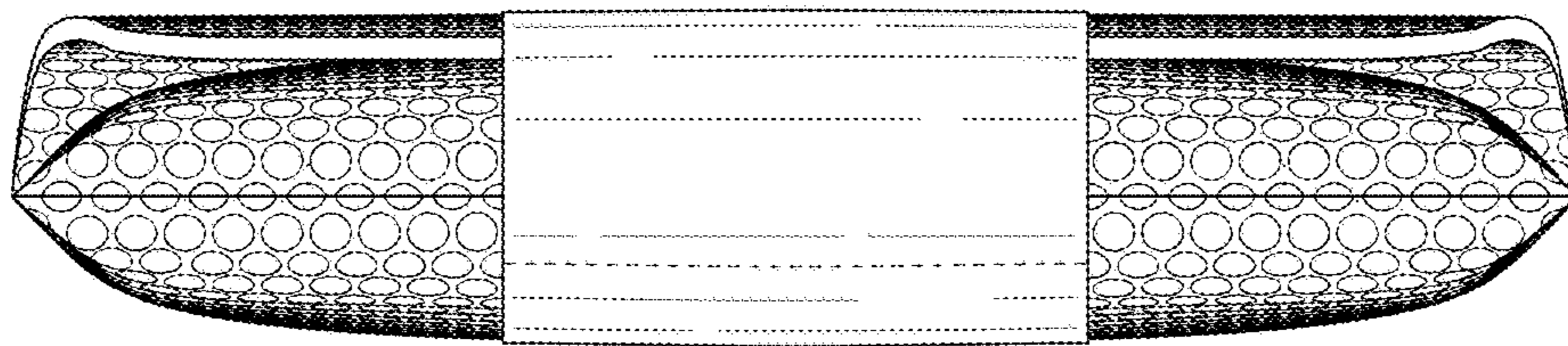


FIG. 8

