



US00D851911S

(12) **United States Design Patent** (10) **Patent No.:** **US D851,911 S**  
**Nelson et al.** (45) **Date of Patent:** **\*\* \*Jun. 25, 2019**

(54) **COVER OF A COMIC BOOK CASE**

OTHER PUBLICATIONS

(71) Applicant: **Certified Guaranty Company, LLC**,  
Sarasota, FL (US)

Notice of Allowance received in corresponding U.S. Appl. No.  
15/063,427, dated Aug. 15, 2017, 6 pages.

(Continued)

(72) Inventors: **Matthew Aaron Nelson**, Lakewood  
Ranch, FL (US); **Harshen Patel**,  
Lakewood Ranch, FL (US); **Joseph R.**  
**Yanarella, Jr.**, Wellington, FL (US);  
**Stephen Lam**, Hong Kong (CN)

*Primary Examiner* — Holly E Thurman  
(74) *Attorney, Agent, or Firm* — Patent GC LLC;  
Alexander Franco

(\*) Notice: This patent is subject to a terminal dis-  
claimer.

(57) **CLAIM**

The ornamental design for a cover of a comic book case, as  
shown and described.

(\*\*) Term: **15 Years**

**DESCRIPTION**

(21) Appl. No.: **29/557,255**

(22) Filed: **Mar. 7, 2016**

FIG. 1 is a perspective view of an outside of a cover of a  
comic book case from an upper left side.

FIG. 2 is a perspective view of an inside of the cover from  
a lower left side.

FIG. 3 is an elevation view of the top side of the cover, the  
bottom side elevation view being a mirror image of that  
shown.

FIG. 4 is an elevation view of the right side of the cover, the  
left side elevation view being a mirror image of that shown.

FIG. 5 is a plan view of the inside of the cover.

FIG. 6 is a plan view of the outside of the cover.

FIG. 7 is a perspective view of the inside of the cover from  
an upper left side and a comic book shown in broken lines  
unclaimed, resting on the inside of the cover.

FIG. 8 is an exploded perspective view the case showing the  
outside of the cover and a base shown in broken lines,  
unclaimed.

FIG. 9 is an exploded perspective view the case showing the  
inside of the cover and the base shown in broken lines,  
unclaimed.

FIG. 10 is an exploded elevation view of the case including  
the cover and the unclaimed base from a top side, the bottom  
side exploded elevation view being a mirror image of that  
shown.

FIG. 11 is an exploded elevation view of the case including  
the cover and the unclaimed base from a right side, the left  
side exploded elevation view being a mirror image of that  
shown.

**Related U.S. Application Data**

(63) Continuation-in-part of application No. 15/063,427,  
filed on Mar. 7, 2016, now Pat. No. 9,840,106, which  
(Continued)

(51) **LOC (11) Cl.** ..... **03-01**

(52) **U.S. Cl.**  
USPC ..... **D3/201**

(58) **Field of Classification Search**  
USPC ..... D3/201, 242, 273, 274, 275, 294, 295,  
D3/300; D6/300; D19/26  
(Continued)

(56) **References Cited**

**U.S. PATENT DOCUMENTS**

3,415,407 A 12/1968 Alden et al.  
4,915,214 A 4/1990 Wieder  
(Continued)

**FOREIGN PATENT DOCUMENTS**

CA 2 391 044 A1 8/2000

(Continued)

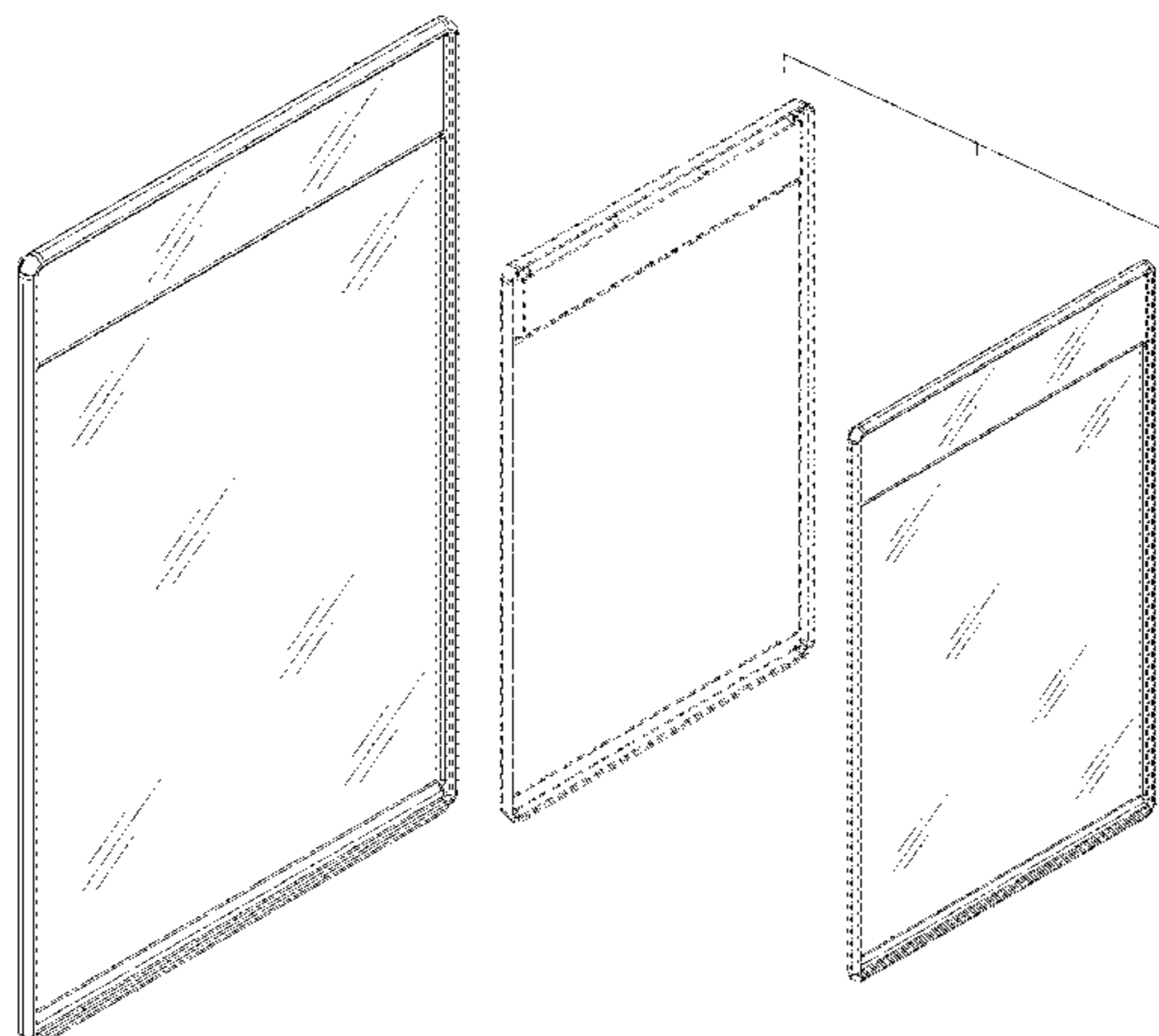


FIG. 12 is an exploded plan view of the inside of the cover adjacent the outside of the unclaimed base.

FIG. 13 is an exploded plan view of the outside of the cover adjacent the inside of the unclaimed base; and,

FIG. 14 is an exploded perspective view the case showing the inside of the cover as well as the outside of the base and a book shown in broken lines unclaimed, resting on the inside of the cover.

The base shown in FIGS. 8, 9, 10, 11, 12, 13 and 14, which is assembled together with the cover to form the case, is shown in broken lines and forms no part of the claimed design. The book shown resting on the cover in FIG. 7 and on the cover in FIG. 14 is shown in broken lines and forms no part of the claimed design. The four small post receptacles shown just inside the four corners of the inside of the cover in FIGS. 1, 2, 3, 4, 5, 7, 8, 9, 10, 11, 12 and 14 are shown in broken lines and form no part of the claimed design.

**1 Claim, 12 Drawing Sheets**

**Related U.S. Application Data**

is a continuation-in-part of application No. 29/557,254, filed on Mar. 7, 2016.

(58) **Field of Classification Search**

CPC ..... B65D 11/10  
See application file for complete search history.

(56) **References Cited**

U.S. PATENT DOCUMENTS

5,097,953 A 3/1992 Gingras  
5,353,925 A 10/1994 Lennen et al.

5,415,290 A \* 5/1995 Merkley ..... B65D 33/007  
206/424  
5,429,238 A 7/1995 Fritz  
6,102,207 A \* 8/2000 Carse ..... B65D 11/10  
206/1.5  
6,149,003 A \* 11/2000 Day ..... A45C 11/182  
150/150  
6,308,831 B1 10/2001 Saxe et al.  
D469,963 S \* 2/2003 Ueno ..... D6/300  
D494,632 S \* 8/2004 Gladstone ..... D20/43  
8,011,510 B1 9/2011 Smith, II et al.  
9,380,892 B2 \* 7/2016 Kallinger ..... A47G 1/12  
9,758,288 B2 9/2017 Bornstein  
9,840,106 B2 \* 12/2017 Nelson ..... B42D 3/12  
D816,149 S \* 4/2018 Dalton ..... D16/237  
2007/0187266 A1 8/2007 Porter et al.  
2016/0145027 A1 5/2016 Bornstein  
2017/0253067 A1 9/2017 Nelson et al.  
2018/0201042 A1 7/2018 Nelson et al.

OTHER PUBLICATIONS

Non-Final Office Action dated Apr. 13, 2017 in related U.S. Appl. No. 15/063,427, 10 Pages.

Non-Final Office Action Received for U.S. Appl. No. 29/557,254, dated Jun. 12, 2018, 6 Pages.

Notice of Allowance received in corresponding U.S. Appl. No. 29/599,297, dated Jul. 3, 2018, 7 pages.

Non-Final Office Action Received for U.S. Appl. No. 15/838,339, dated May 15, 2018, 9 Pages.

\* cited by examiner

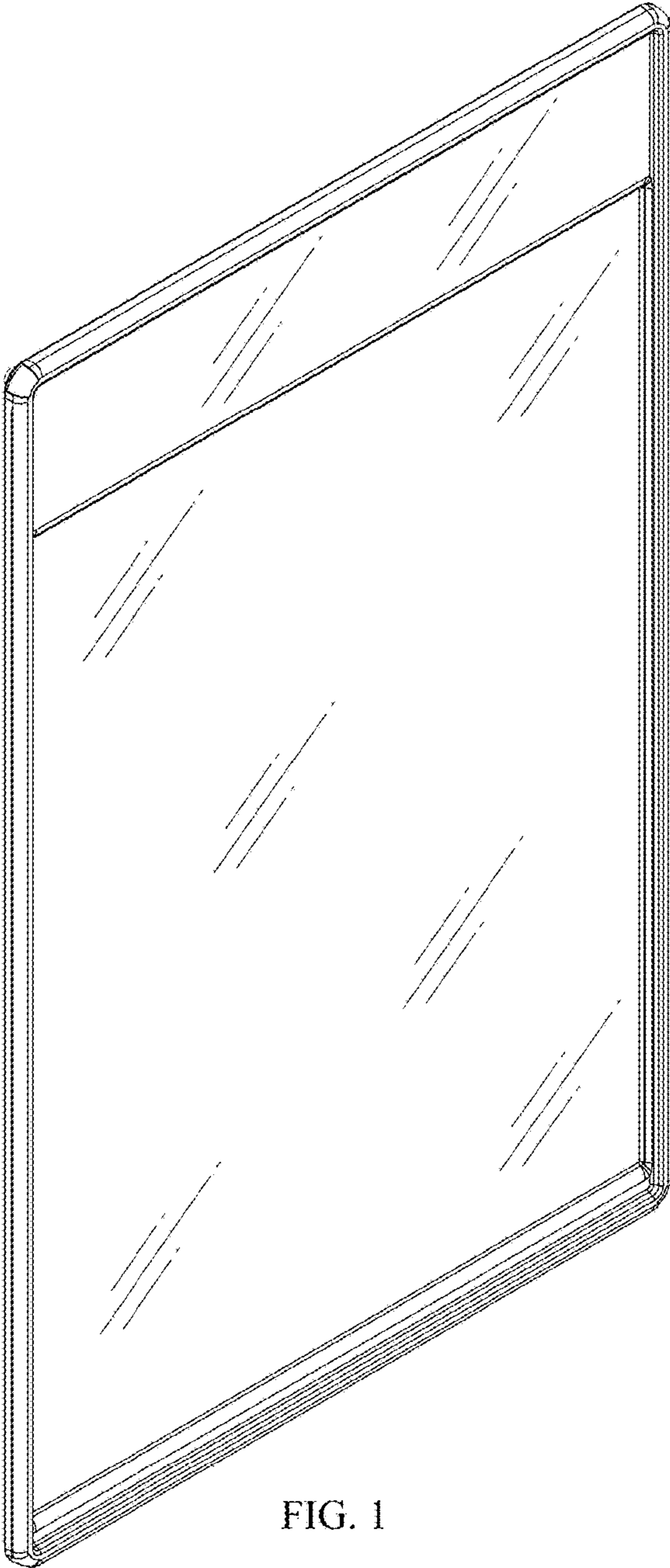


FIG. 1



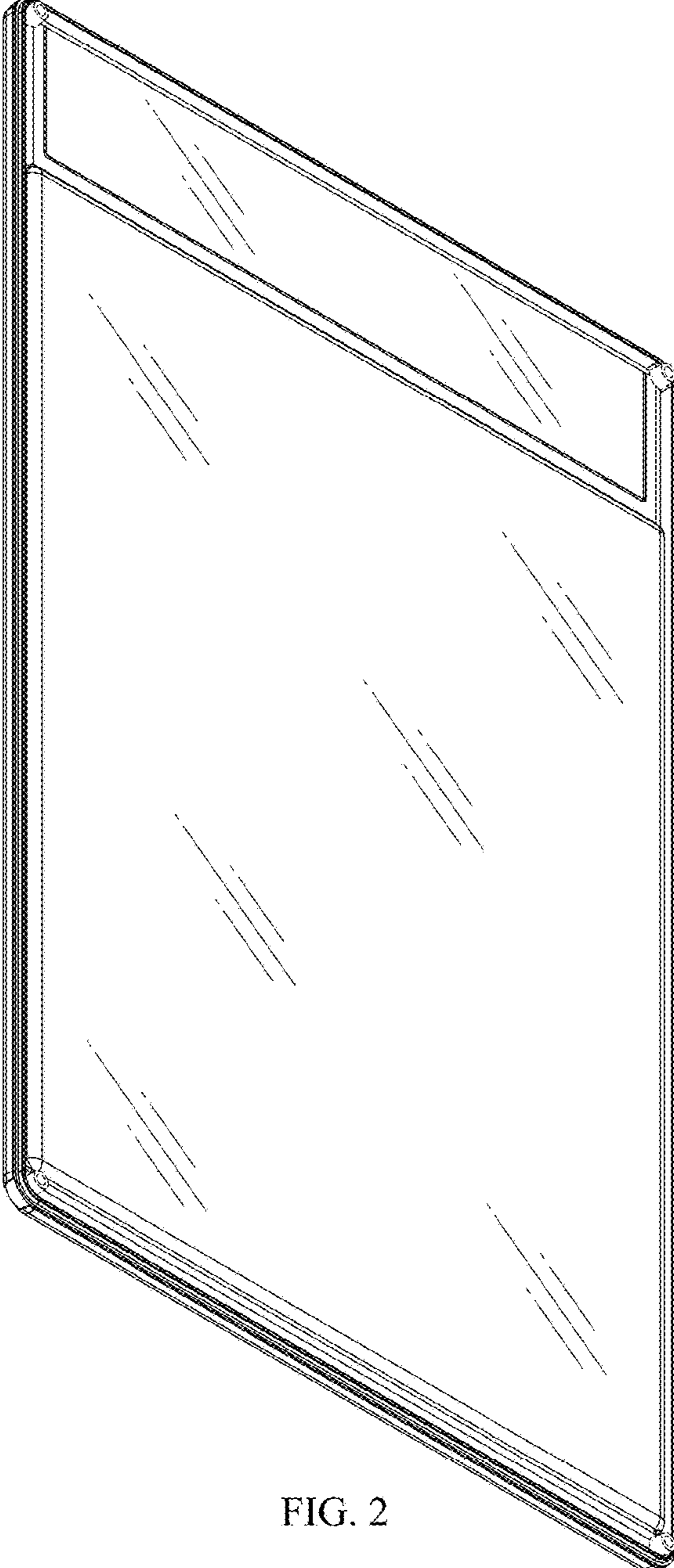


FIG. 2

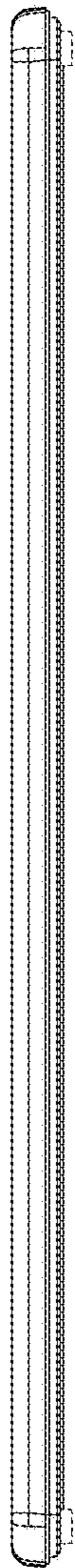


FIG. 3



FIG. 4

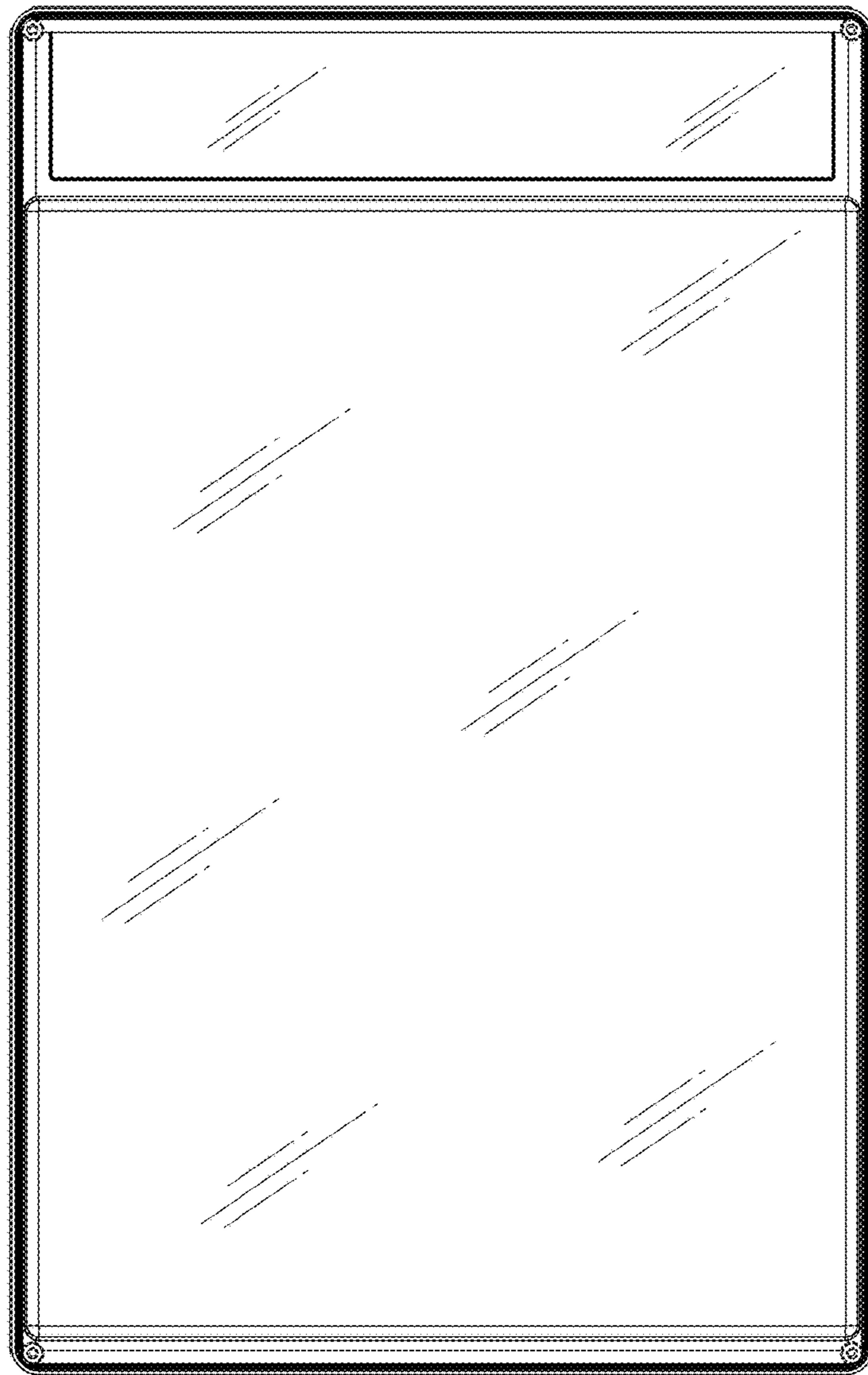


FIG. 5

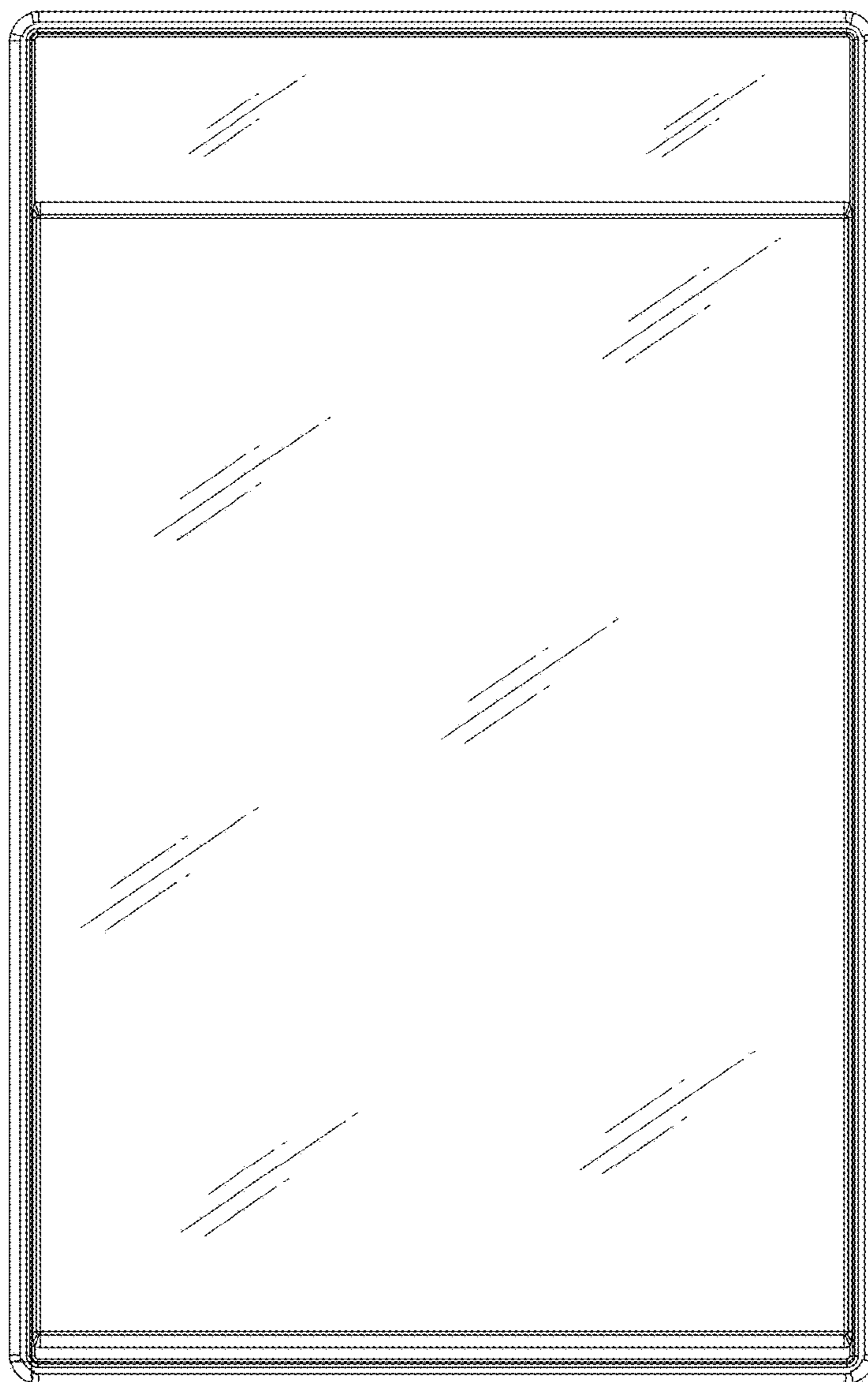


FIG. 6

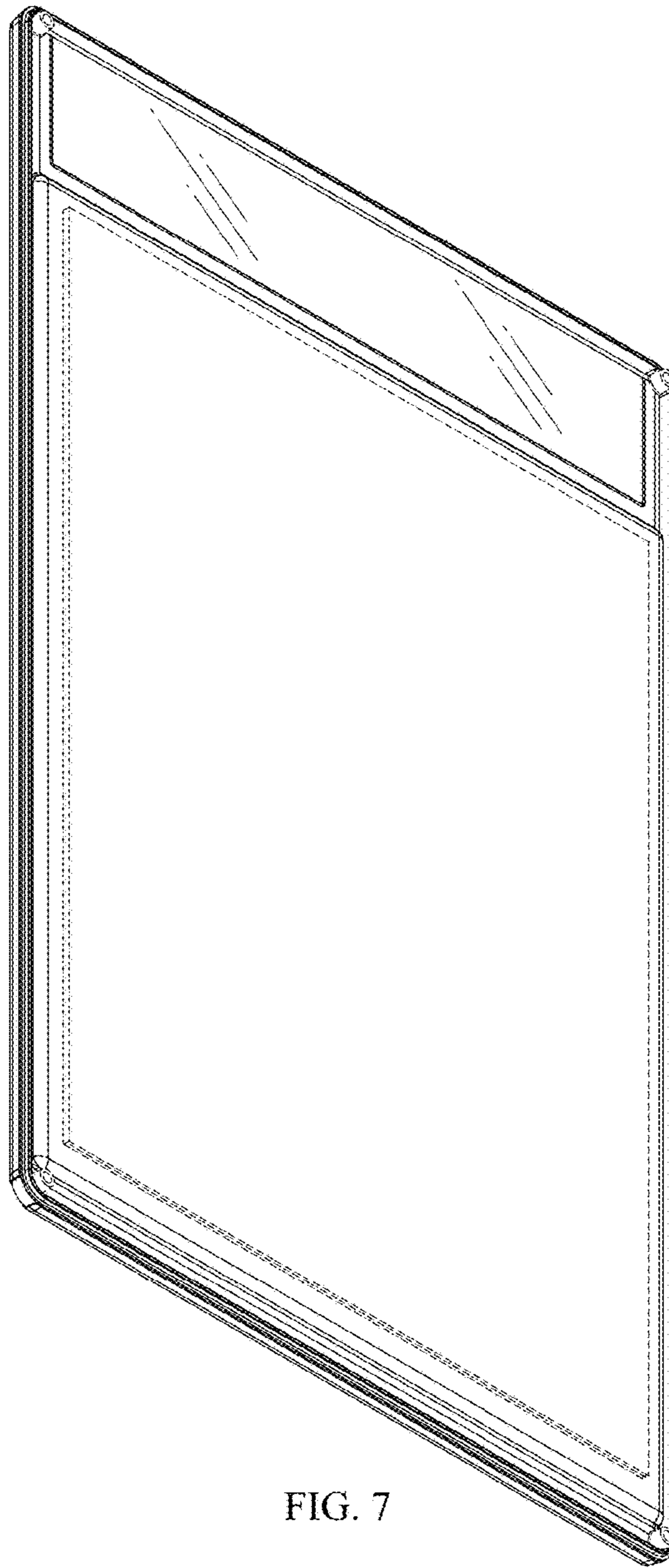


FIG. 7



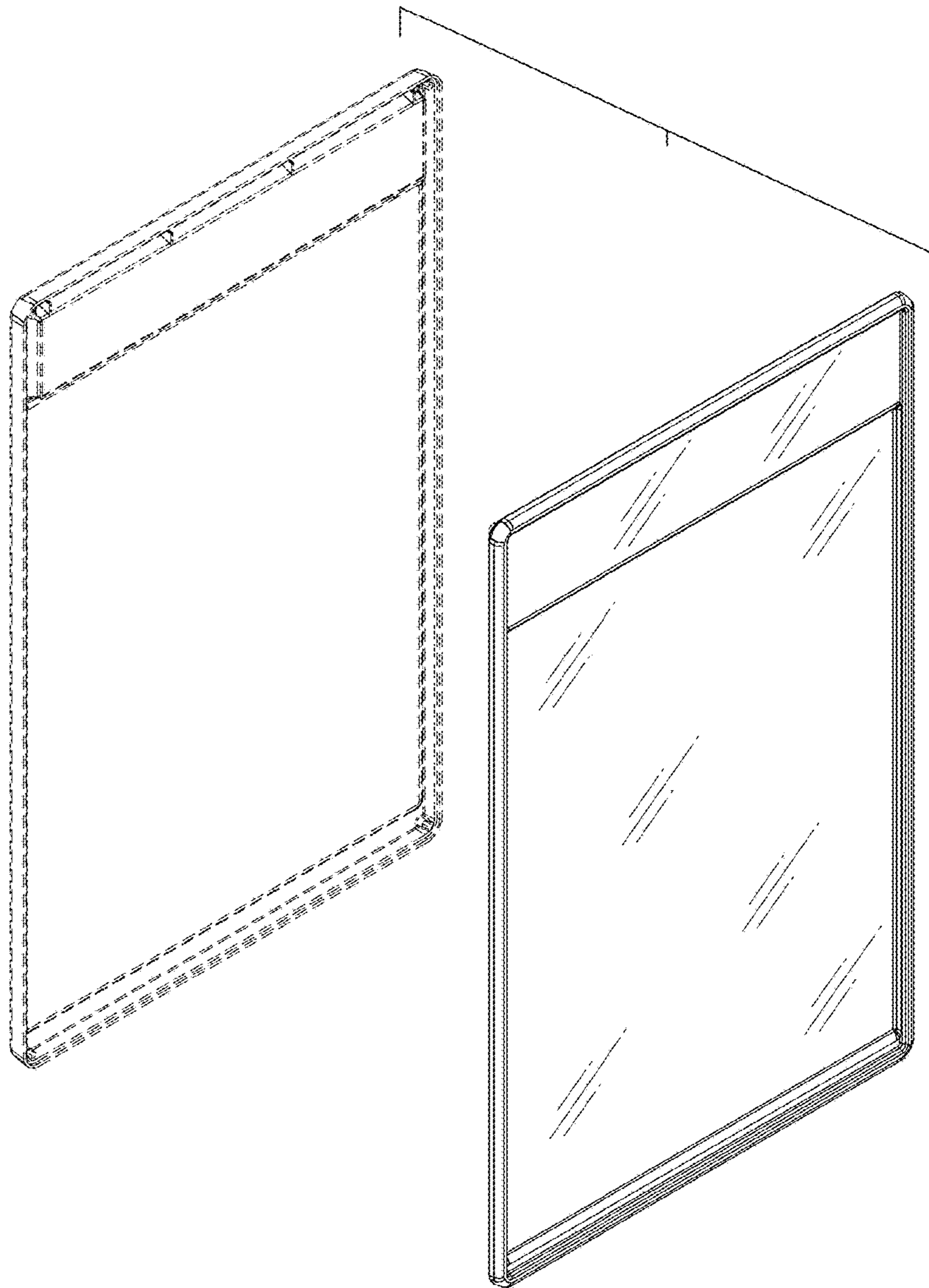


FIG. 8

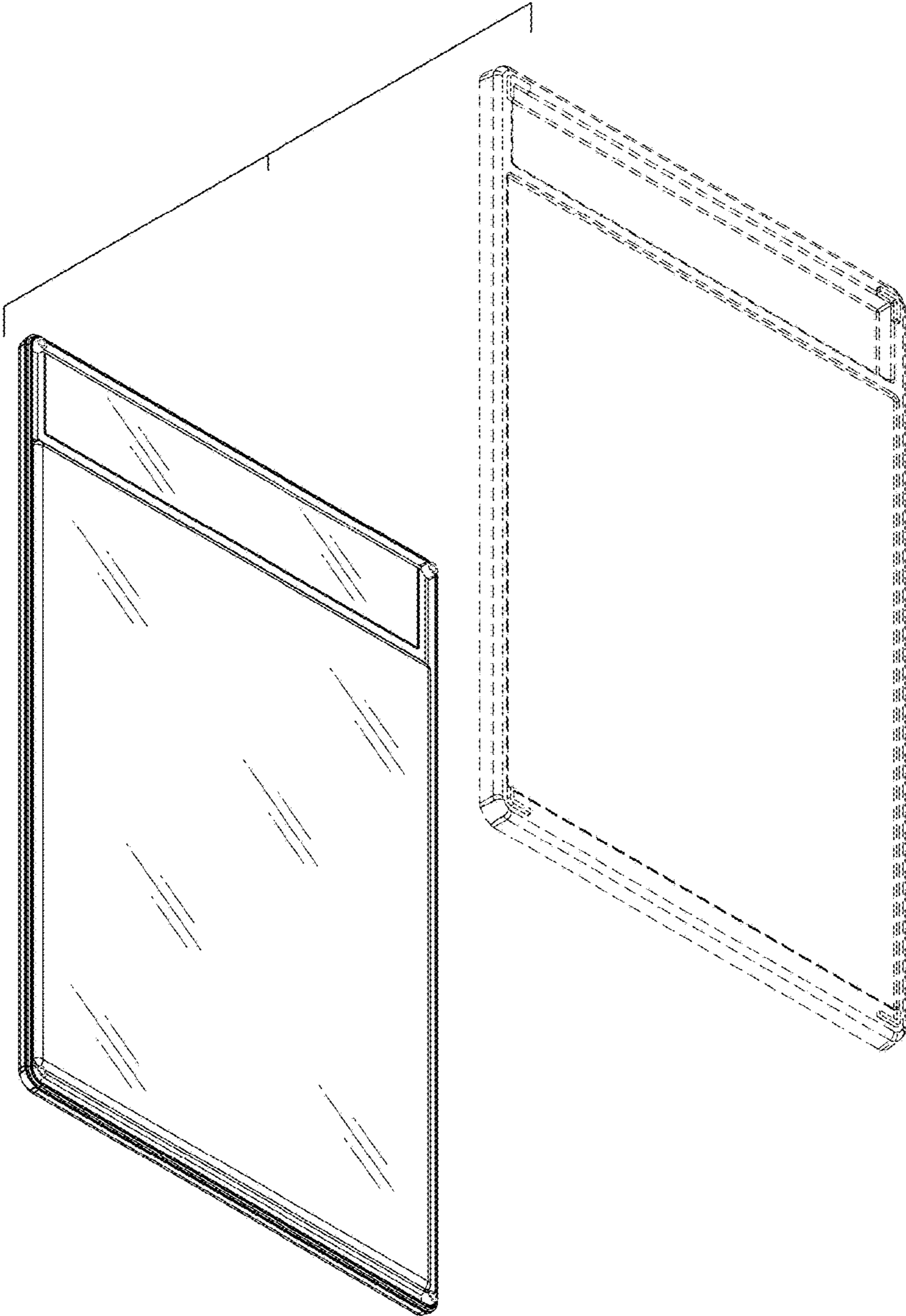


FIG. 9

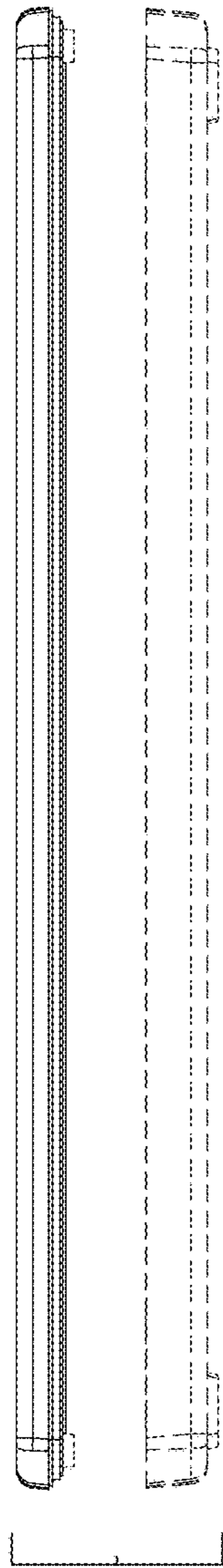


FIG. 10

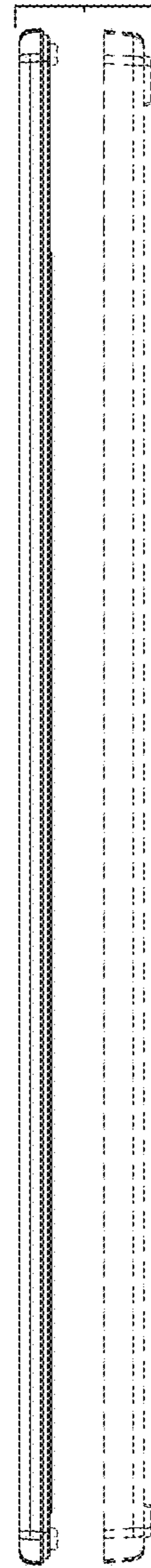


FIG. 11

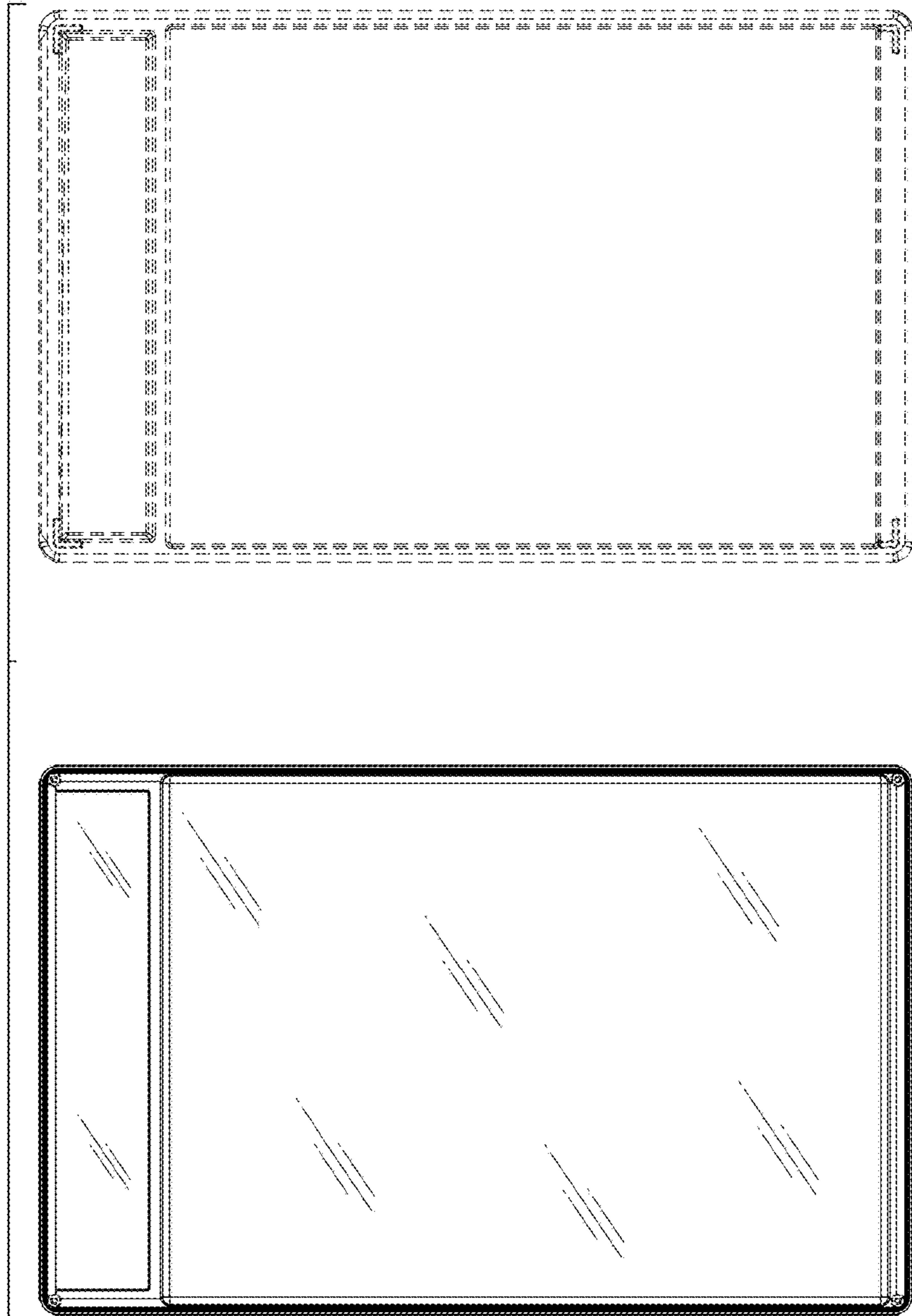


FIG. 12



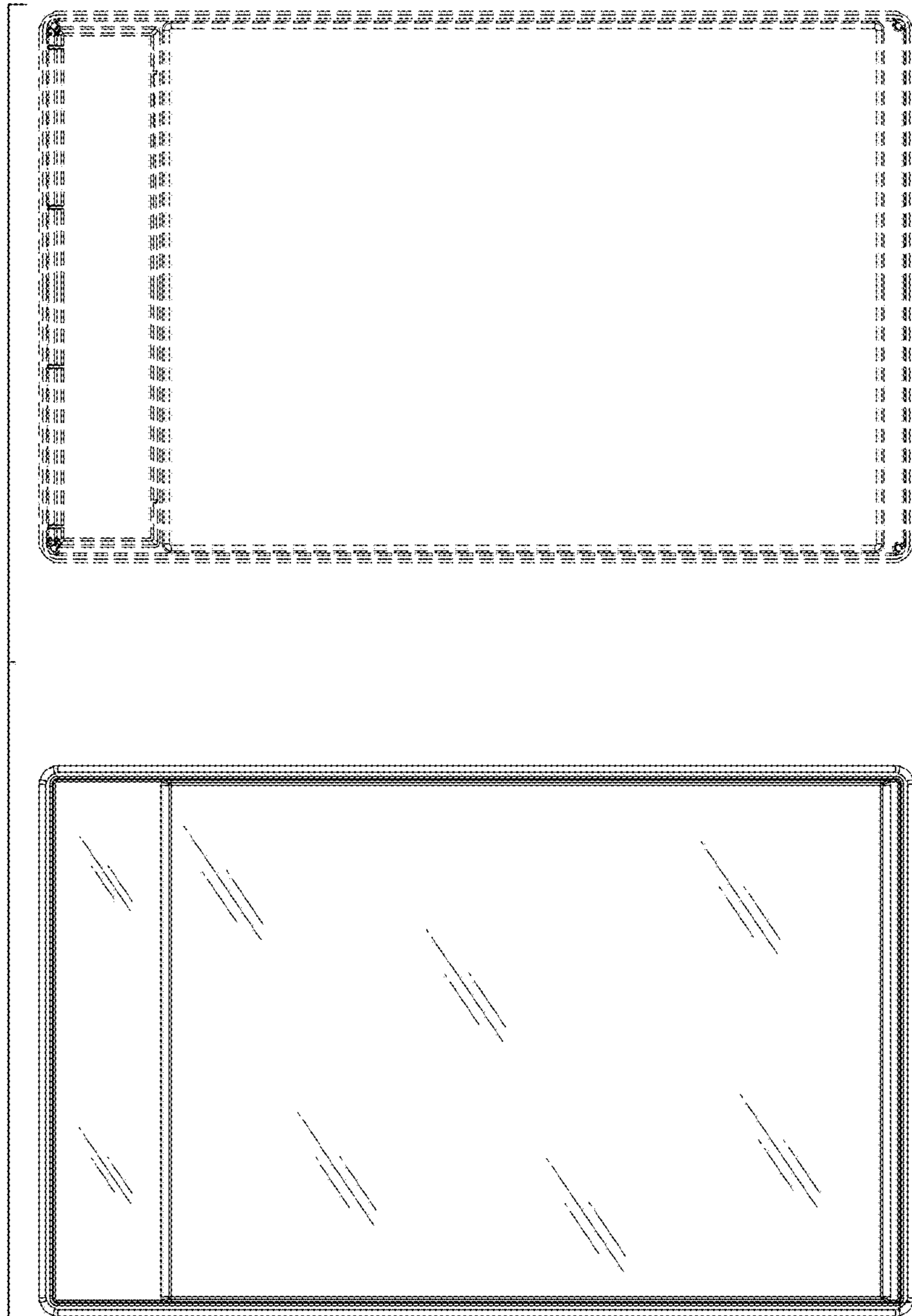


FIG. 13

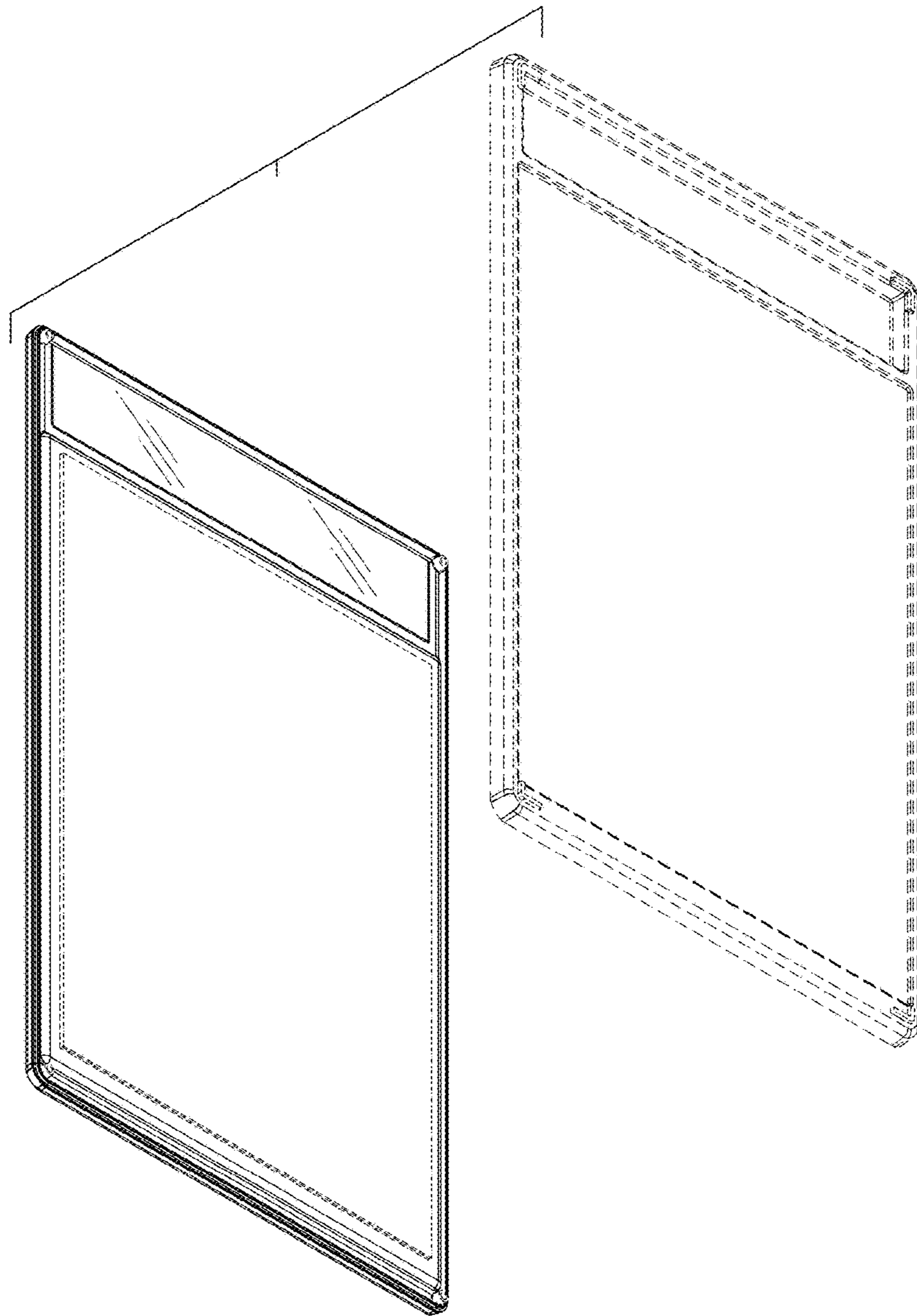


FIG. 14