



US00D851910S

(12) **United States Design Patent** (10) **Patent No.:** **US D851,910 S**
Nelson et al. (45) **Date of Patent:** **** *Jun. 25, 2019**

(54) **BASE OF A COMIC BOOK CASE**

(71) Applicant: **Certified Guaranty Company, LLC**, Sarasota, FL (US)

(72) Inventors: **Matthew Aaron Nelson**, Lakewood Ranch, FL (US); **Harshen Patel**, Lakewood Ranch, FL (US); **Joseph R. Yanarella, Jr.**, Wellington, FL (US); **Stephen Lam**, Hong Kong (CN)

(*) Notice: This patent is subject to a terminal disclaimer.

(**) Term: **15 Years**

(21) Appl. No.: **29/557,254**

(22) Filed: **Mar. 7, 2016**

Related U.S. Application Data

(63) Continuation-in-part of application No. 29/557,255, filed on Mar. 7, 2016, and a continuation-in-part of (Continued)

(51) **LOC (11) Cl.** **03-01**

(52) **U.S. Cl.**
USPC **D3/201**

(58) **Field of Classification Search**
USPC D3/201, 242, 273, 274, 275, 294, 295, D3/300; D6/300; D19/26
(Continued)

(56) **References Cited**

U.S. PATENT DOCUMENTS

3,415,407 A 12/1968 Alden et al.
4,915,214 A 4/1990 Wieder
(Continued)

FOREIGN PATENT DOCUMENTS

CA 2 391 044 A1 8/2000

OTHER PUBLICATIONS

Notice of Allowance received in corresponding U.S. Appl. No. 15/063,427, dated Aug. 15, 2017, 6 pages.

(Continued)

Primary Examiner — Holly E Thurman
(74) *Attorney, Agent, or Firm* — Patent GC LLC; Alexander Franco

(57) **CLAIM**

The ornamental design for a base of a comic book case, as shown and described.

DESCRIPTION

FIG. 1 is a perspective view of an inside of a base of a comic book case from an upper left side.

FIG. 2 is a perspective view of an outside of the base from a lower left side.

FIG. 3 is an elevation view of the top side of the base, the bottom side elevation view being a mirror image of that shown.

FIG. 4 is an elevation view of the right side of the base, the left side elevation view being a mirror image of that shown.

FIG. 5 is a plan view of the outside of the base.

FIG. 6 is a plan view of the inside of the base.

FIG. 7 is a perspective view of the inside of the base from an upper left side and a comic book shown in broken lines unclaimed, resting on the inside of the base.

FIG. 8 is an exploded perspective view the case showing the outside of the base and a cover shown in broken lines, unclaimed.

FIG. 9 is an exploded perspective view the case showing the inside of the base and the cover shown in broken lines, unclaimed.

FIG. 10 is an exploded elevation view of the case including the base and the unclaimed cover from a top side, the bottom side exploded elevation view being a mirror image of that shown.

FIG. 11 is an exploded elevation view of the case including the base and the unclaimed cover from a right side, the left side exploded elevation view being a mirror image of that shown.

(Continued)

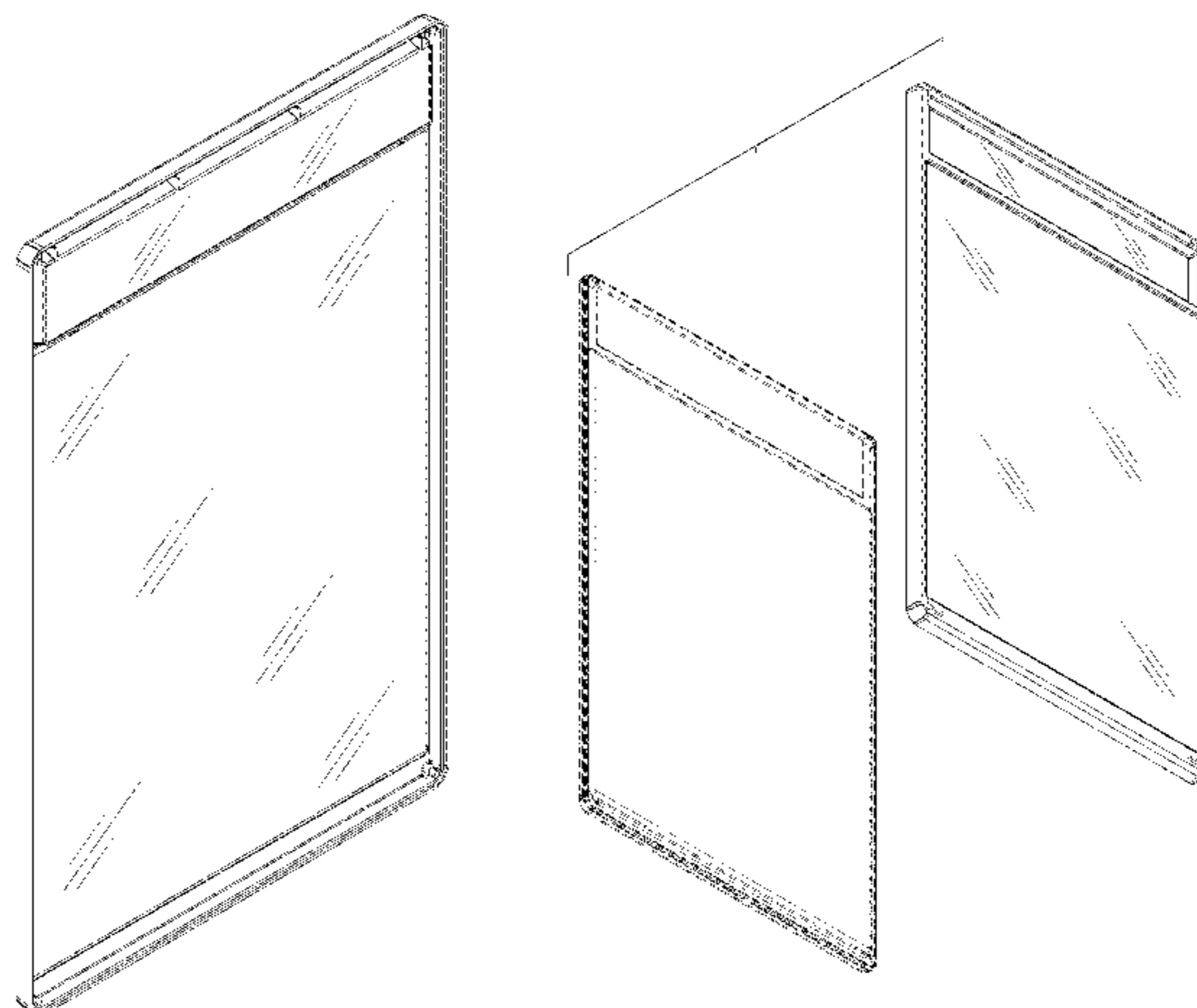


FIG. 12 is an exploded plan view of the outside of the base adjacent the inside of the unclaimed cover.

FIG. 13 is an exploded plan view of the inside of the base adjacent the outside of the unclaimed cover; and,

FIG. 14 is an exploded perspective view the case showing the outside of the base as well as the cover and a book shown in broken lines unclaimed, resting on the inside of the cover.

The cover shown in FIGS. 8, 9, 10, 11, 12, 13 and 14, which is assembled together with the base to form the case, is shown in broken lines and forms no part of the claimed design. The book shown resting on the base in FIG. 7 and on the cover in FIG. 14 is shown in broken lines and forms no part of the claimed design. The four small posts shown just inside the four corners of the inside of the base in FIGS. 1, 6, 7, 9, 12 and 13 are shown in broken lines and form no part of the claimed design. The four "L" shaped feet in the corners of the bottom of the base in FIGS. 2, 3, 4, 5, 8, 10, 11, 12 and 14 are shown in broken lines and form no part of the claimed design.

1 Claim, 12 Drawing Sheets

Related U.S. Application Data

application No. 15/063,427, filed on Mar. 7, 2016, now Pat. No. 9,840,106.

(58) **Field of Classification Search**

CPC B65D 11/10
See application file for complete search history.

(56)

References Cited

U.S. PATENT DOCUMENTS

5,097,953	A	3/1992	Gingras	
5,353,925	A	10/1994	Lennen et al.	
5,415,290	A *	5/1995	Merkley	B65D 33/007 206/424
5,429,238	A	7/1995	Fritz	
6,102,207	A *	8/2000	Carse	B65D 11/10 206/1.5
6,149,003	A *	11/2000	Day	A45C 11/182 150/150
6,308,831	B1	10/2001	Saxe et al.	
D469,963	S *	2/2003	Ueno	D6/300
D494,632	S *	8/2004	Gladstone	D20/43
8,011,510	B1	9/2011	Smith, II et al.	
9,380,892	B2 *	7/2016	Kallinger	A47G 1/12
9,758,288	B2	9/2017	Bornstein	
9,840,106	B2 *	12/2017	Nelson	B42D 3/12
D816,149	S *	4/2018	Dalton	D16/237
2007/0187266	A1	8/2007	Porter et al.	
2016/0145027	A1	5/2016	Bornstein	
2017/0253067	A1	9/2017	Nelson et al.	
2018/0201042	A1	7/2018	Nelson et al.	

OTHER PUBLICATIONS

Non-Final Office Action dated Apr. 13, 2017 in related U.S. Appl. No. 15/063,427, 10 Pages.
 Non-Final Office Action Received for U.S. Appl. No. 291557,255, dated Jun. 12, 2018, 6 Pages.
 Notice of Allowance received in corresponding U.S. Appl. No. 29/599,297, dated Jul. 3, 2018, 7 pages.
 Non-Final Office Action Received for U.S. Appl. No. 15/838,339, dated May 15, 2018, 9 Pages.

* cited by examiner

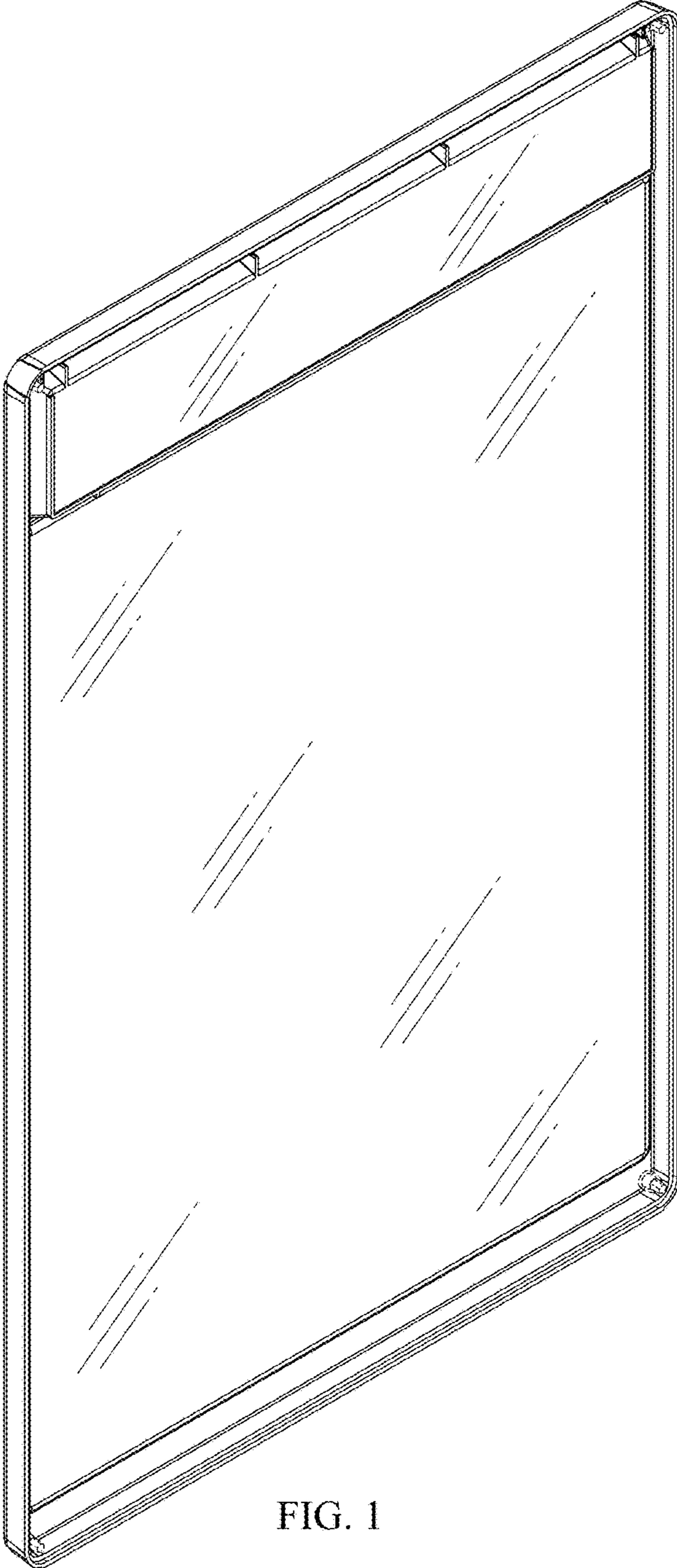


FIG. 1

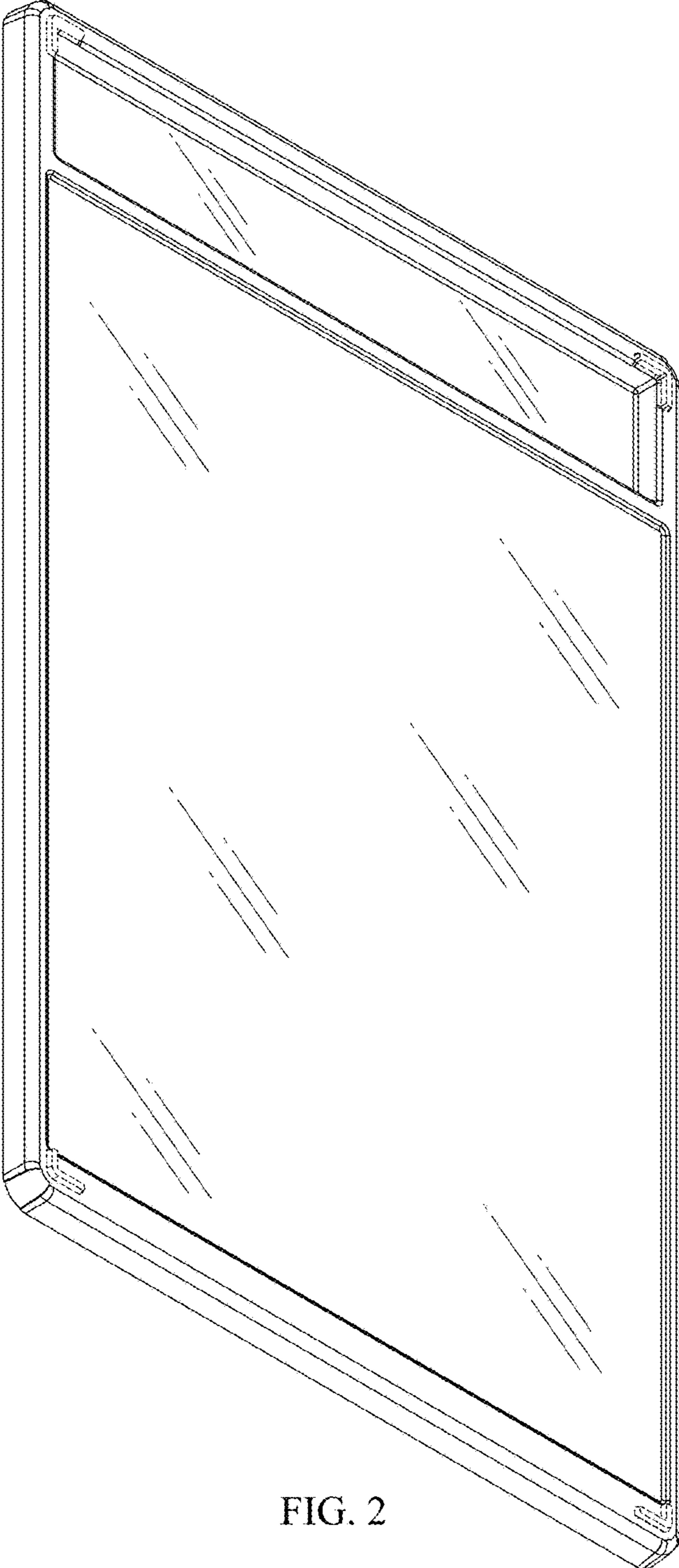


FIG. 2

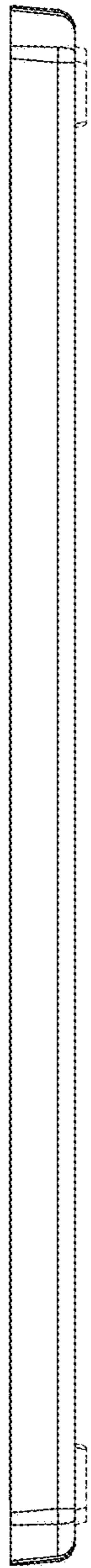


FIG. 3

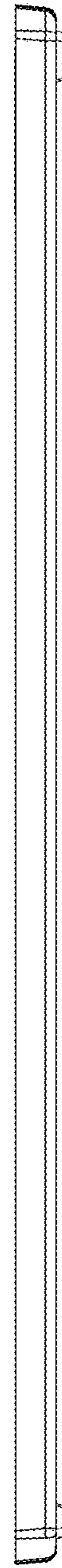


FIG. 4

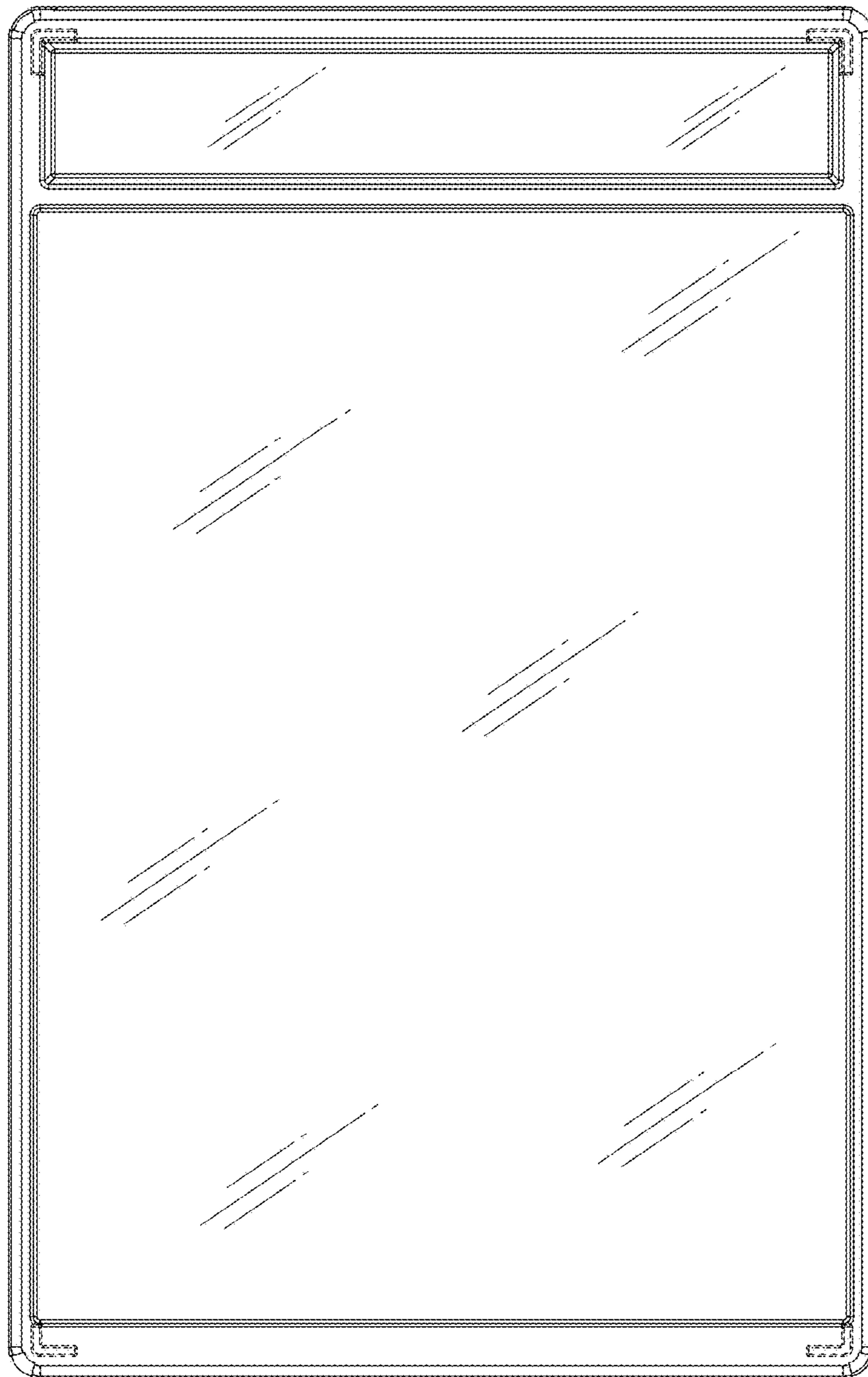


FIG. 5

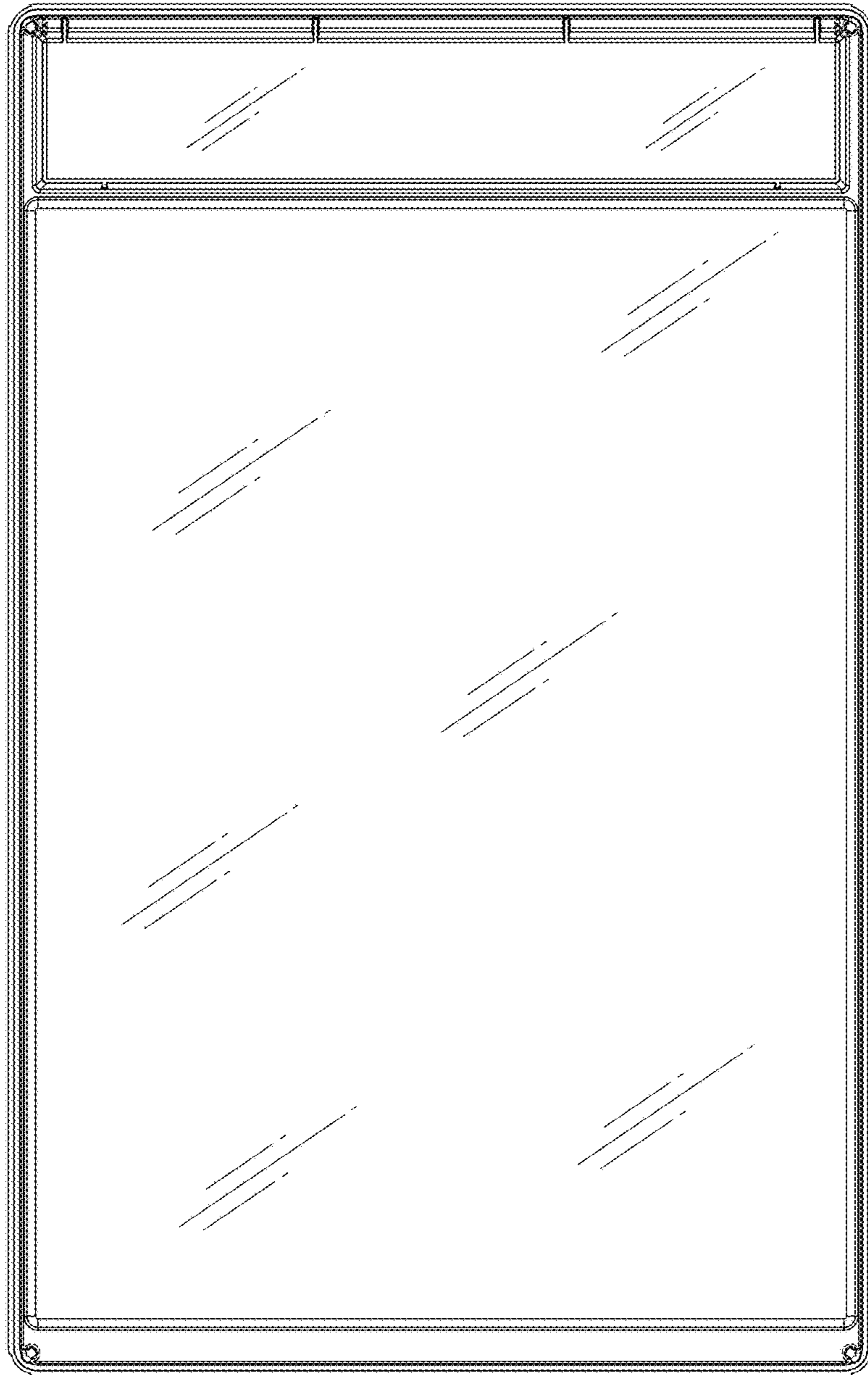


FIG. 6

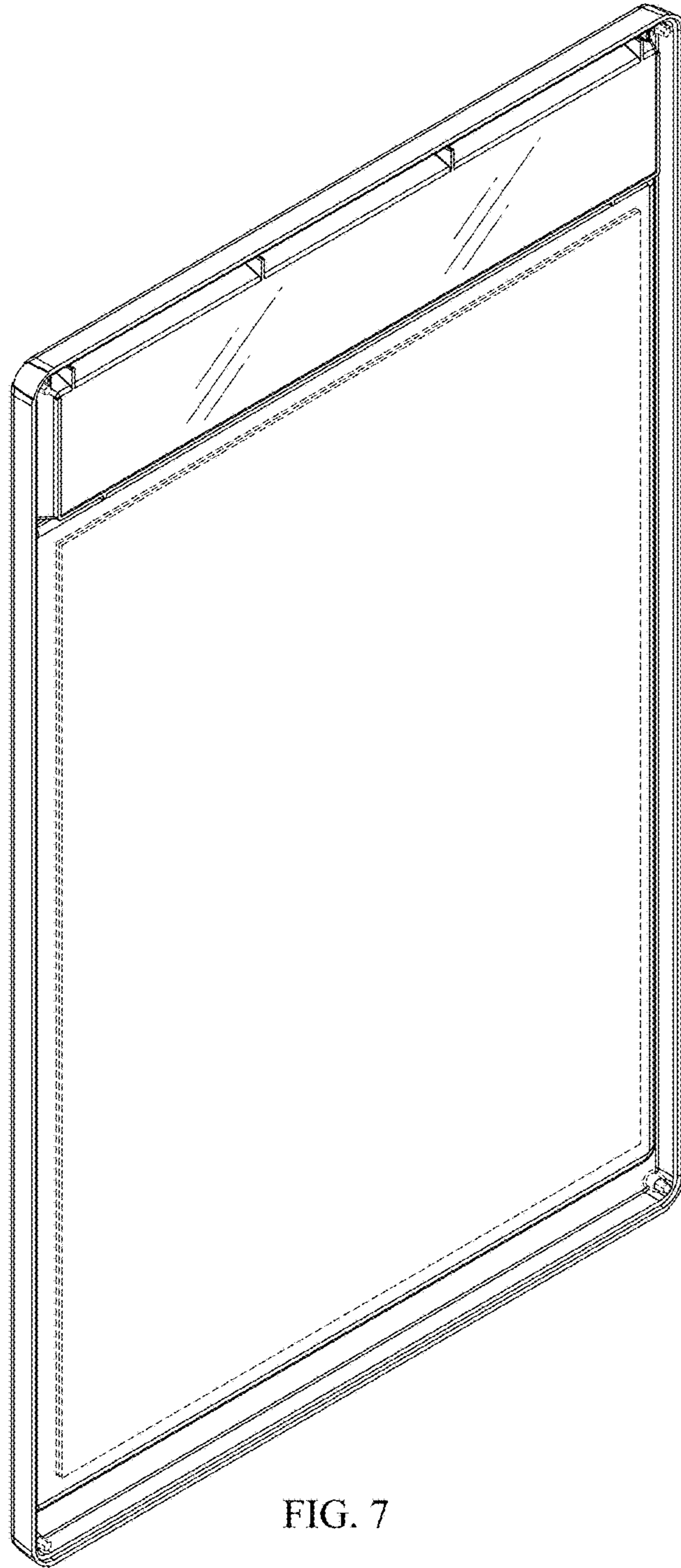


FIG. 7

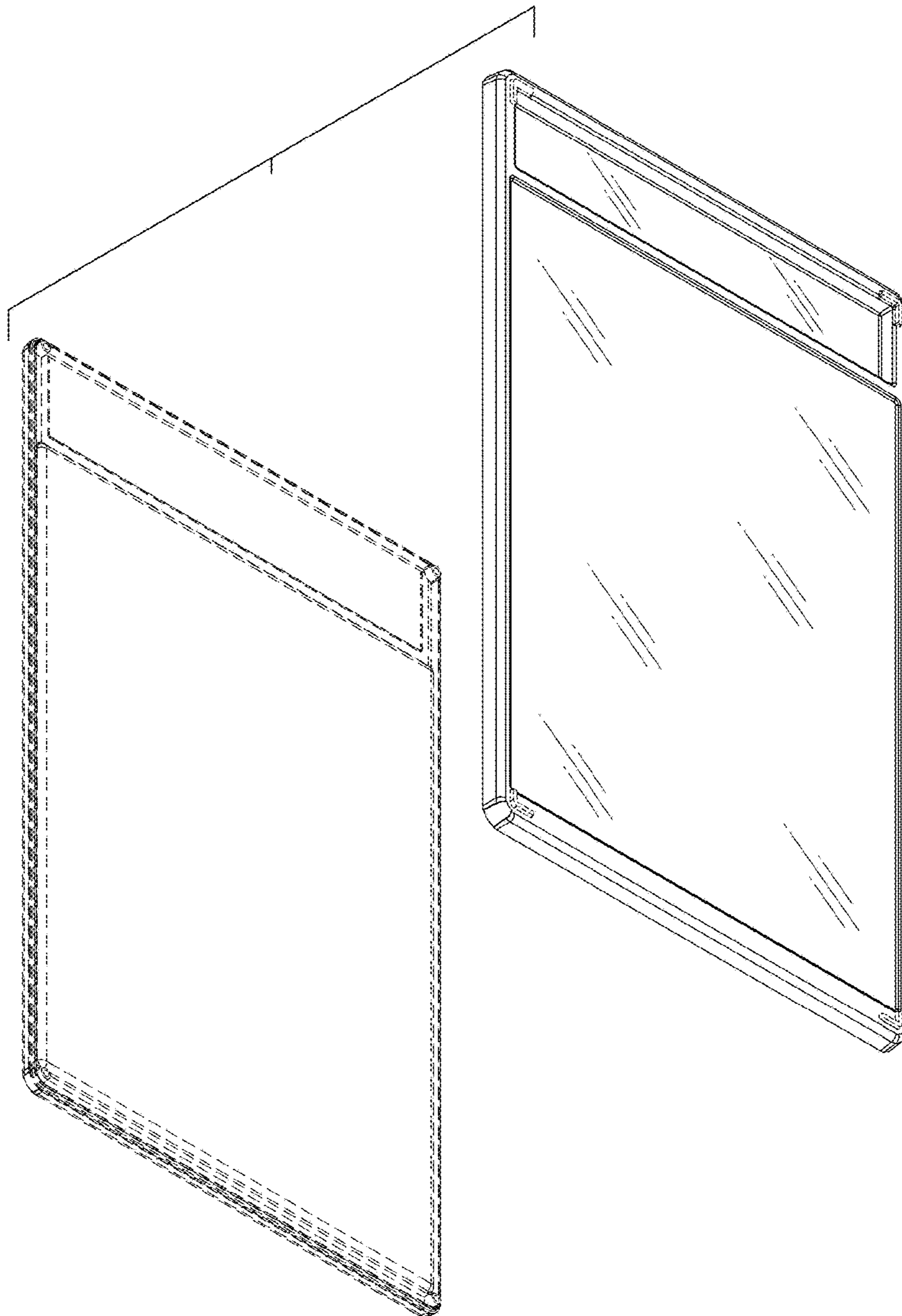


FIG. 8

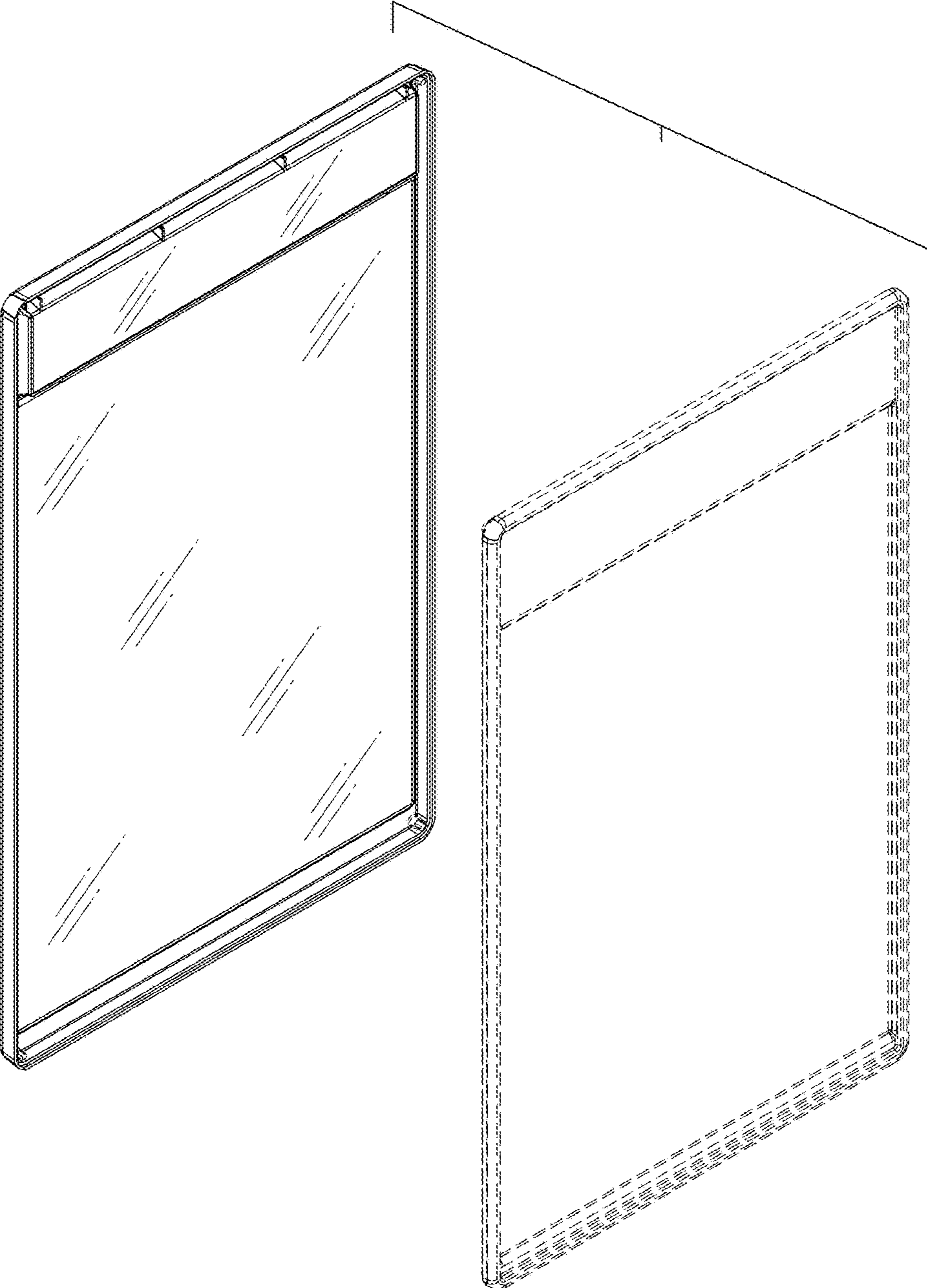


FIG. 9

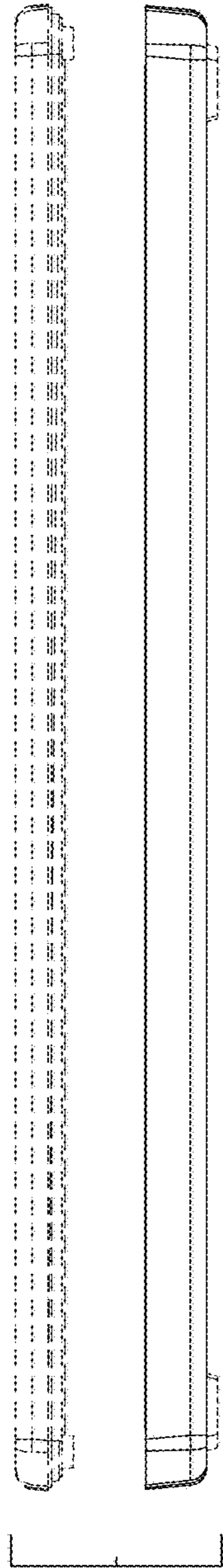


FIG. 10

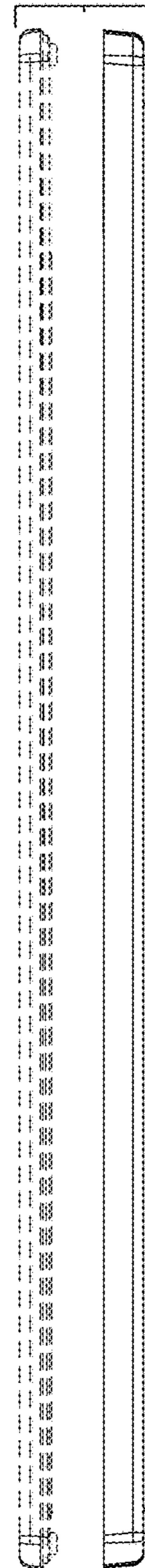


FIG. 11

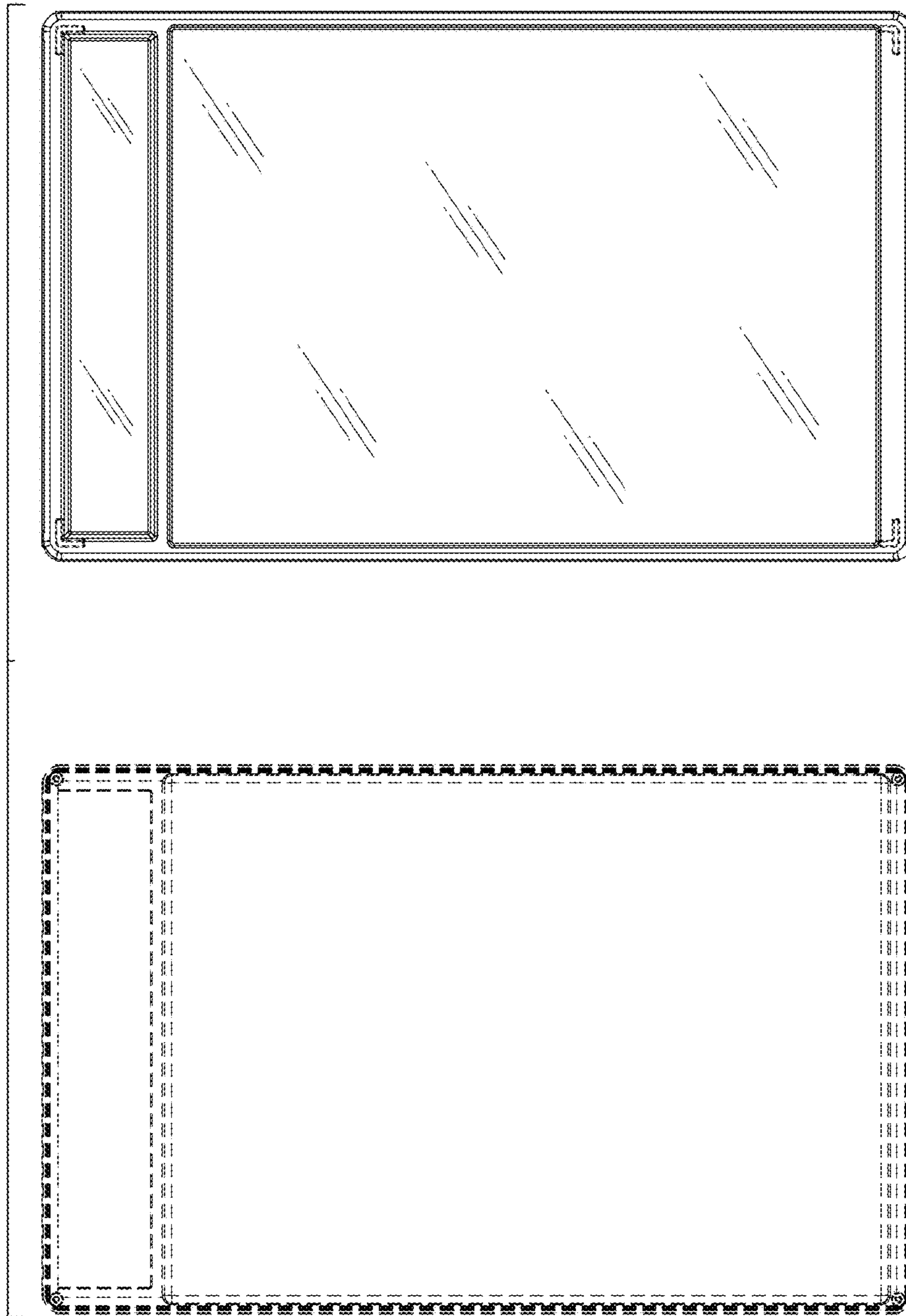


FIG. 12

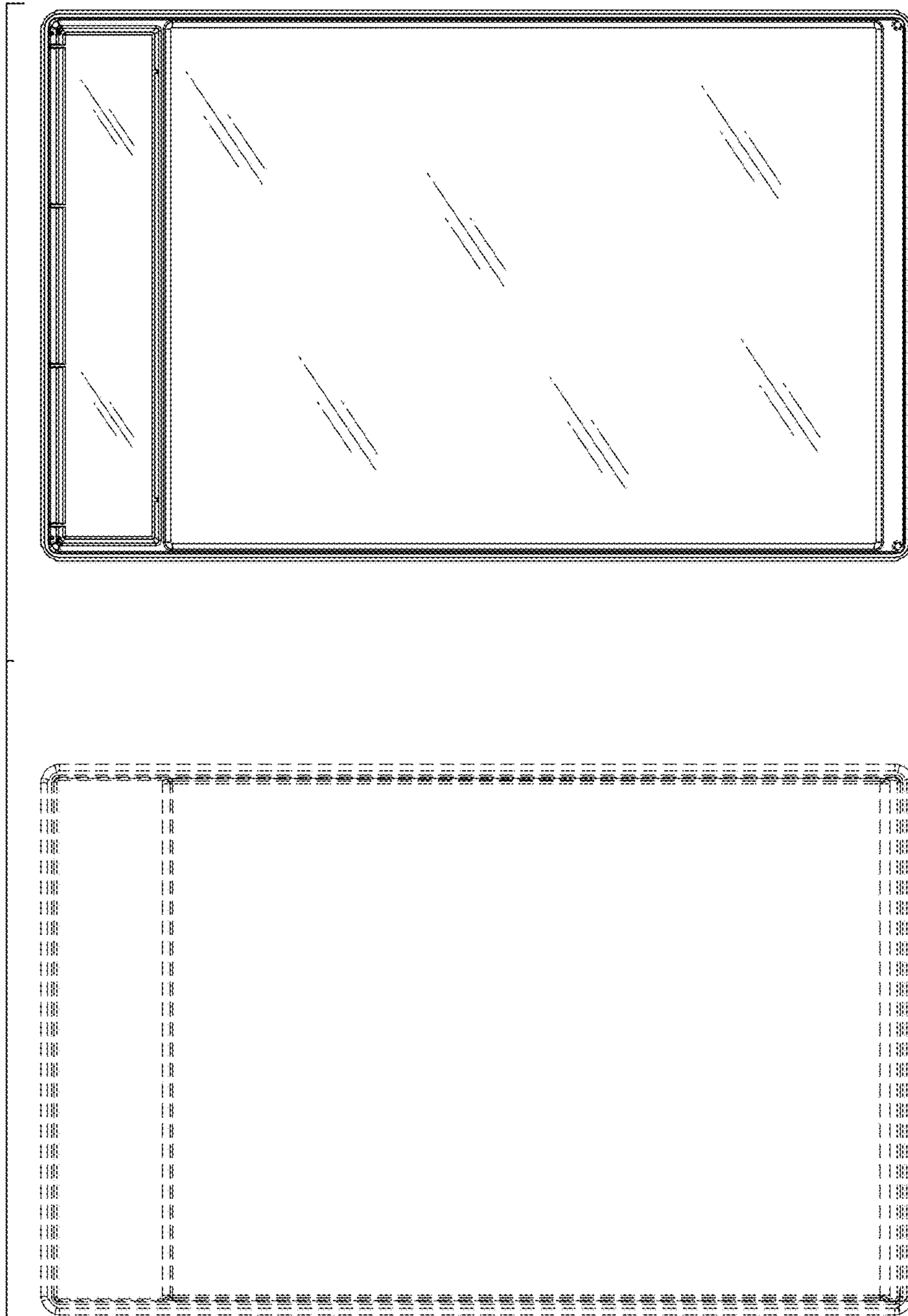


FIG. 13

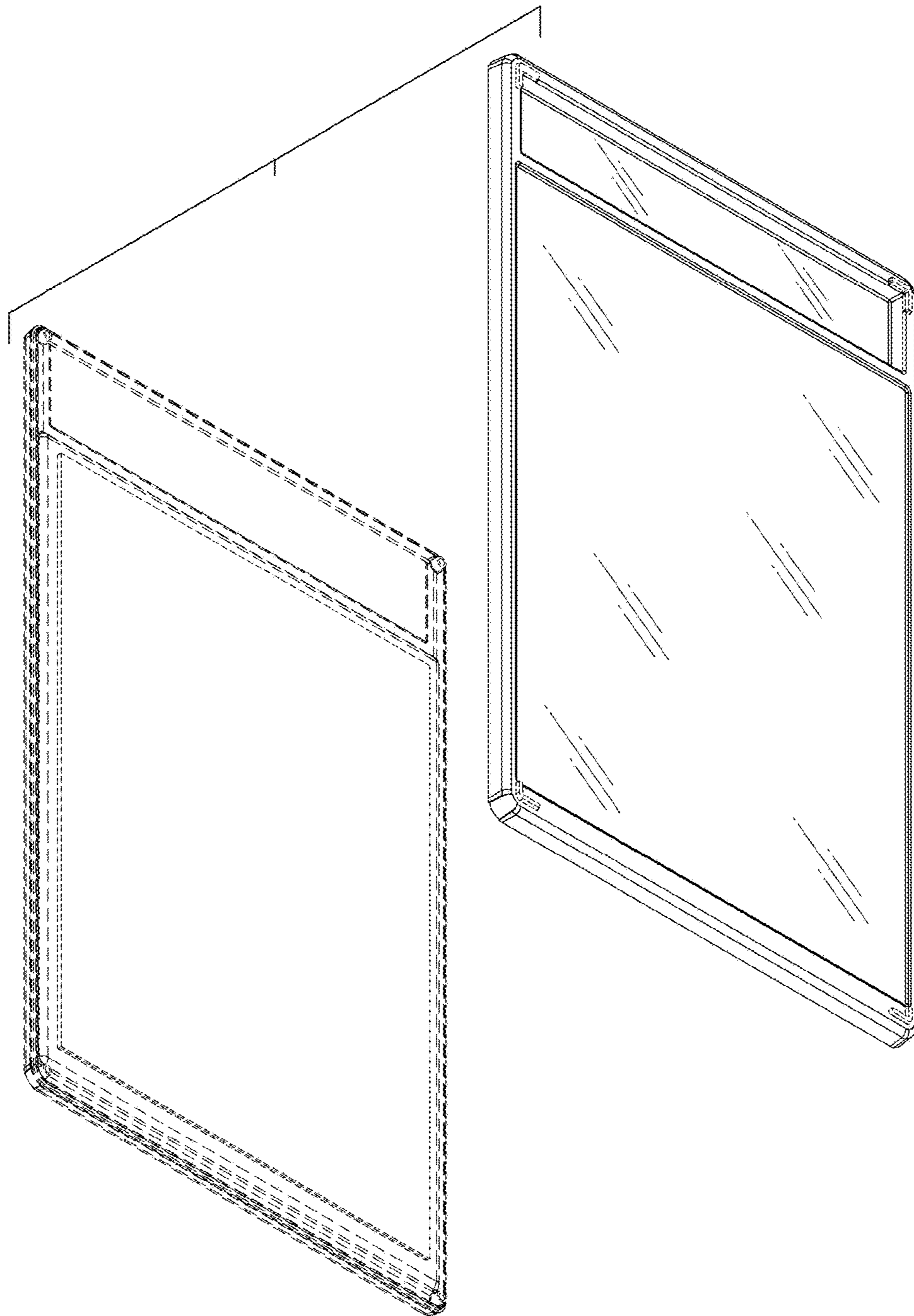


FIG. 14