



US00D851905S

(12) **United States Design Patent**  
**Sebastian**

(10) **Patent No.:** **US D851,905 S**

(45) **Date of Patent:** **\*\* Jun. 25, 2019**

(54) **SHOE**

(71) Applicant: **NIKE, Inc.**, Beaverton, OR (US)

(72) Inventor: **Lauren Sebastian**, Portland, OR (US)

(73) Assignee: **NIKE, Inc.**, Beaverton, OR (US)

(\*\*) Term: **15 Years**

(21) Appl. No.: **29/660,337**

(22) Filed: **Aug. 20, 2018**

(51) **LOC (11) Cl.** ..... **02-99**

(52) **U.S. Cl.**  
USPC ..... **D2/973**

(58) **Field of Classification Search**  
USPC ..... D2/896, 902, 906-908, 946, 947, 969,  
D2/972-974, 978; D5/47, 49, 50, 53, 54,  
D5/56, 60  
CPC ... A43B 13/181; A43B 13/141; A43B 13/186;  
A43B 13/188; A43B 23/00; A43B 23/02;  
A43B 5/00; A43B 23/26; A43B 1/04;  
A43B 11/14; A43B 7/00; A43B 3/12;  
A43C 3/00; A43C 5/00; A43C 7/00;  
A43C 11/004

See application file for complete search history.

(56) **References Cited**

**U.S. PATENT DOCUMENTS**

D90,233 S	7/1933	Daniels	
D265,521 S	7/1982	Vernonet	
D375,193 S	11/1996	Kallen et al.	
D381,800 S *	8/1997	Greene	D2/972
D394,742 S *	6/1998	Gaudio	D2/902
D397,841 S	9/1998	Munns	
D437,991 S *	2/2001	Matis	D2/902
D441,521 S *	5/2001	Matis	D2/903
D444,623 S *	7/2001	Wilson	D2/902
D476,144 S *	6/2003	Adams	D2/969
D505,779 S	6/2005	Matis et al.	

D546,539 S *	7/2007	Paz	D2/972
D561,447 S	2/2008	Belley et al.	
D570,082 S	6/2008	Belley et al.	
D585,636 S	2/2009	Earle	
D632,882 S	2/2011	O'Rorke	
D661,472 S	6/2012	Ghedini	
D712,130 S *	9/2014	Lonigan	D2/969
D715,531 S *	10/2014	Cochrane	D2/973
D744,737 S	12/2015	Raasch	
D746,570 S	1/2016	Raasch	
D747,090 S *	1/2016	Raasch	D2/972

(Continued)

**OTHER PUBLICATIONS**

Introducing the New Nike City Loop Lifestyle Sneaker [online],  
retrieved [Nov. 20, 2018], retrieved from Kicksonfire [Internet]  
<<https://www.kicksonfire.com/nike-city-loop-grey-black/>>; 2 color  
sheets, Dated Sep. 10, 2017.

(Continued)

*Primary Examiner* — Dominic V Simone  
(74) *Attorney, Agent, or Firm* — Banner & Witcoff, Ltd.

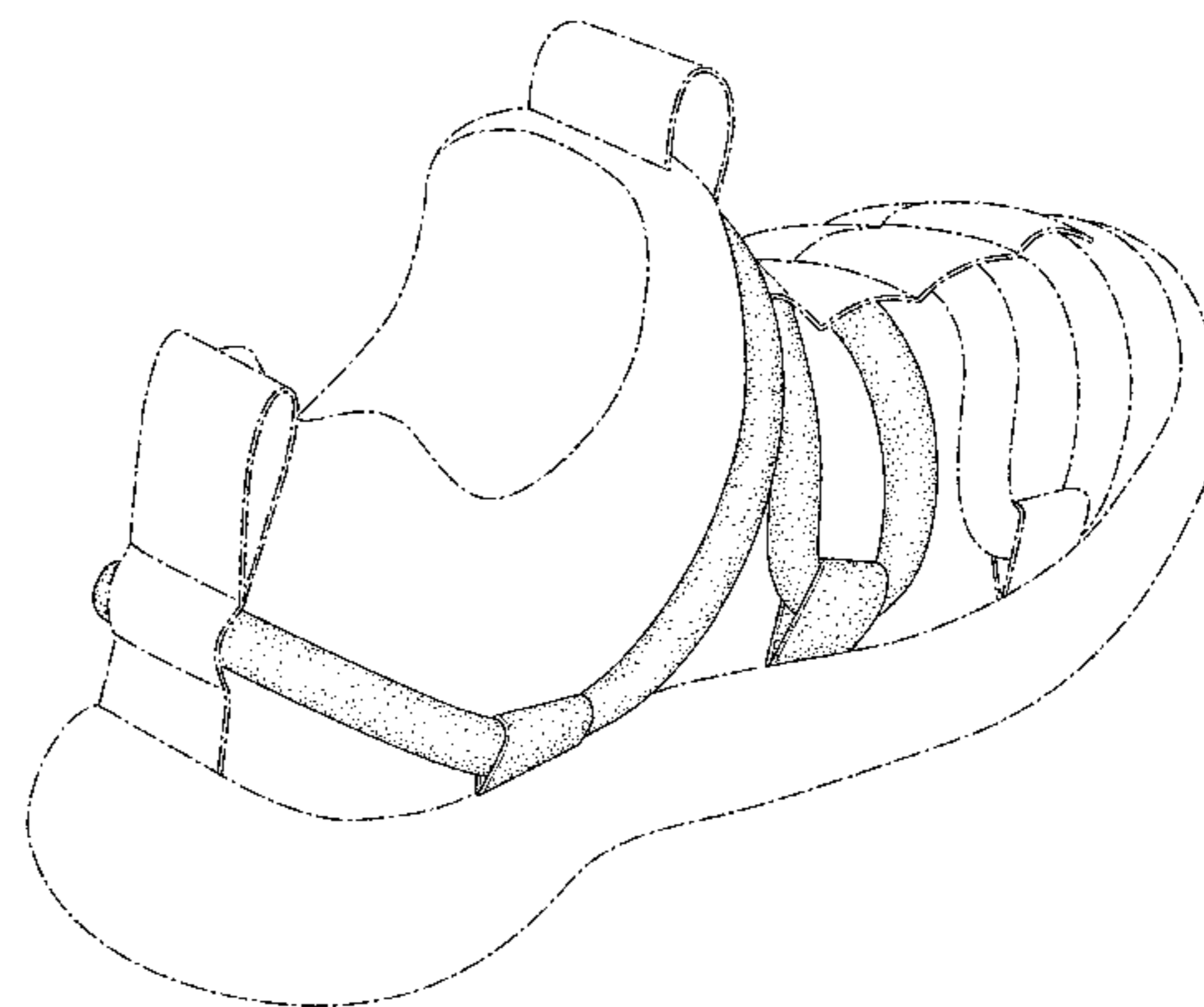
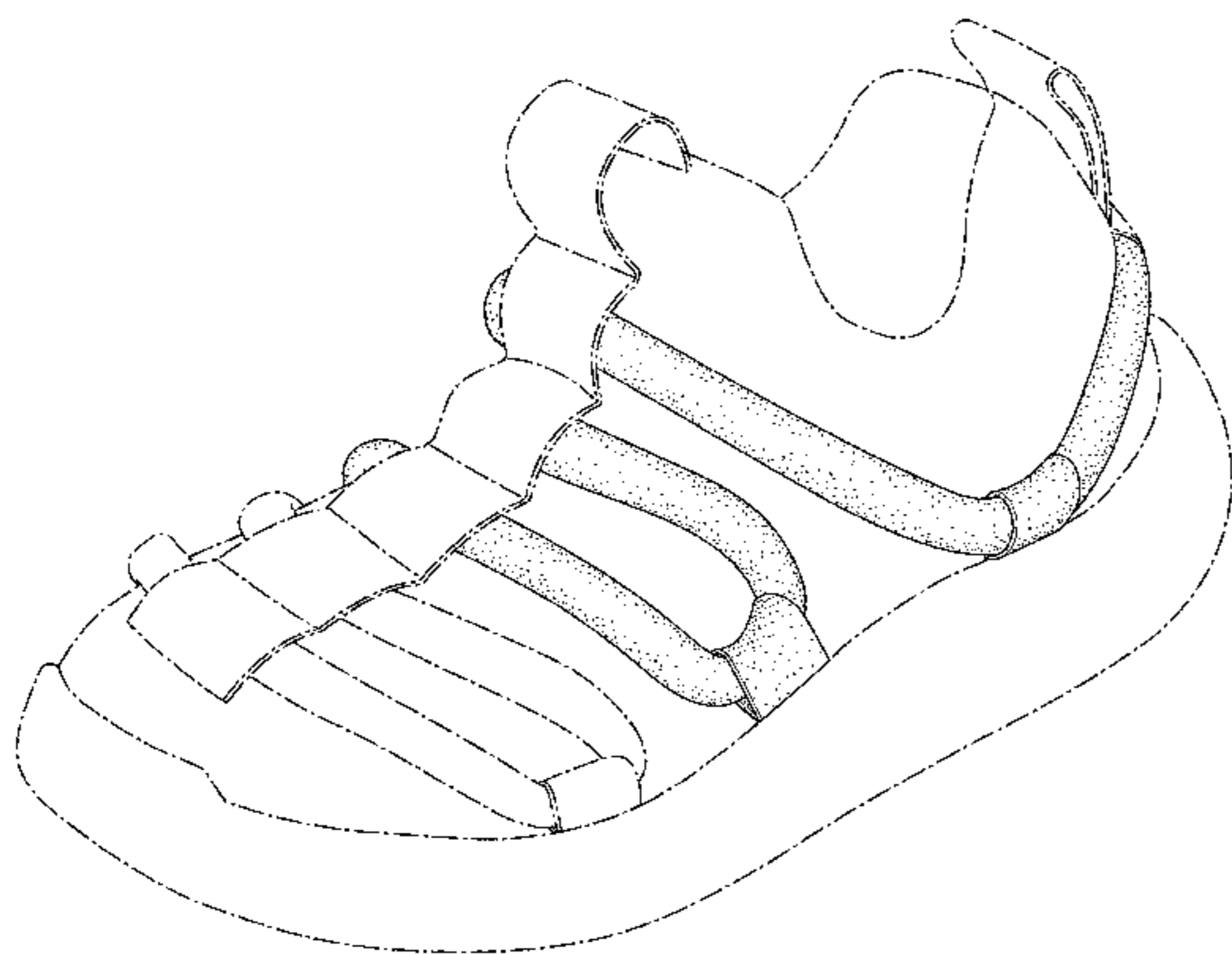
(57) **CLAIM**

The ornamental design for a shoe, as shown and described.

**DESCRIPTION**

FIG. 1 is a front perspective view of a shoe showing my new  
design;  
FIG. 2 is a side view thereof;  
FIG. 3 is an opposite side view thereof;  
FIG. 4 is a front view thereof;  
FIG. 5 is a rear view thereof;  
FIG. 6 is a top view thereof; and,  
FIG. 7 is a rear perspective view thereof.  
The broken lines immediately adjacent to the shaded area  
define the bounds of the claimed design and form no part  
thereof. The broken lines depicting the remainder of the shoe  
show features that form no part of the claimed design.

**1 Claim, 7 Drawing Sheets**



(56)

**References Cited**

U.S. PATENT DOCUMENTS

D787,794 S 5/2017 Vega  
D804,796 S 12/2017 Kirschner  
D805,750 S 12/2017 Winfield  
D809,770 S 2/2018 Hardman  
D812,363 S \* 3/2018 Behr ..... D2/973  
D817,627 S 5/2018 Chang  
D822,976 S 7/2018 Schultze  
D829,427 S \* 10/2018 Rauner ..... D2/972

OTHER PUBLICATIONS

A First Look At the NIKE KD10 City Edition [online], retrieved [Nov. 19, 2018], retrieved from Kicksonfire [Internet] <<https://www.kicksonfire.com/nike-kd-10-city-edition/>>; 2 color sheets, Dated Dec. 6, 2017.

Nike Dynamo Free [online], retrieved Nov. 6, 2018], retrieved from NIKE [Internet] < URL: <<https://www.nike.com/t/dynamo-free-infant-toddler-kids-shoe-NAxko2/343938-426>> >; 4 color sheets, Published date unknown but prior to the filing date of the present application.

Nike Dynamo Free (PS) Ghost Green/Hyper Grape 343738-305 [online], retrieved Nov. 6, 2018], retrieved from Amazon [Internet] < URL: <<https://www.amazon.com/NIKE-DYNAMO-GHOST-GREEN-343738-305/dp/B01FQHFHQU>> >; 5 color sheets, Published date unknown but prior to the filing date of the present application.

\* cited by examiner

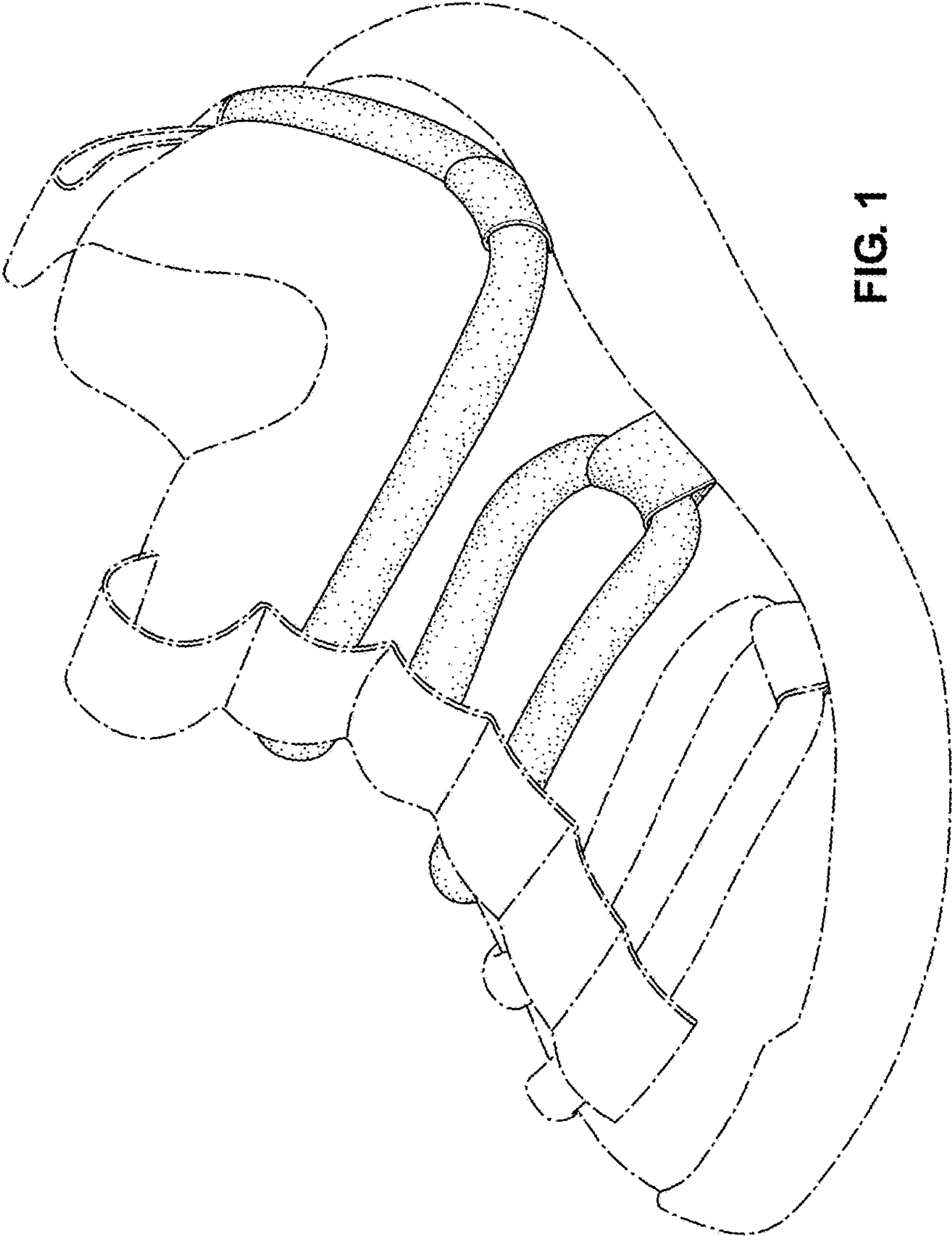


FIG. 1

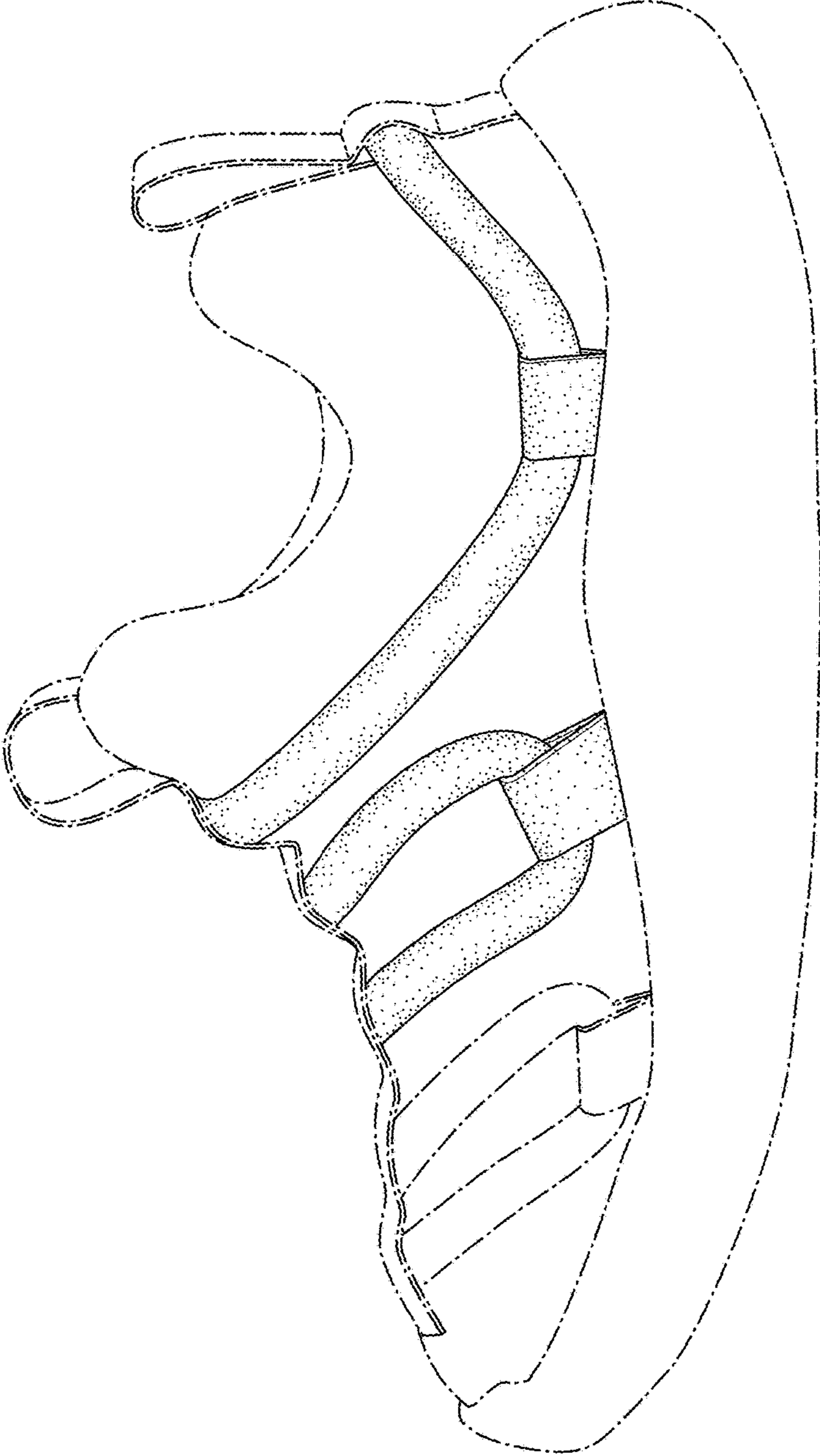


FIG. 2



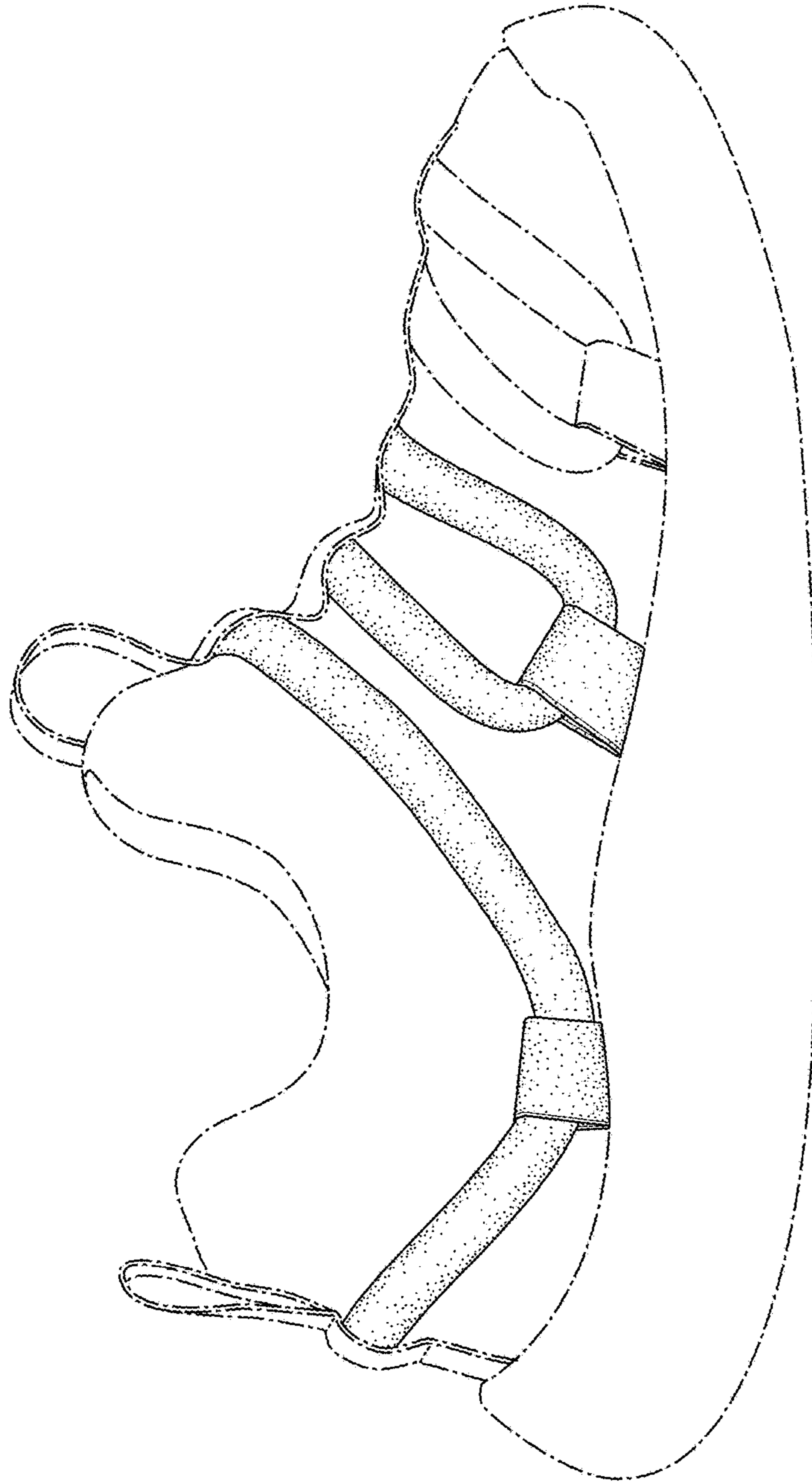


FIG. 3

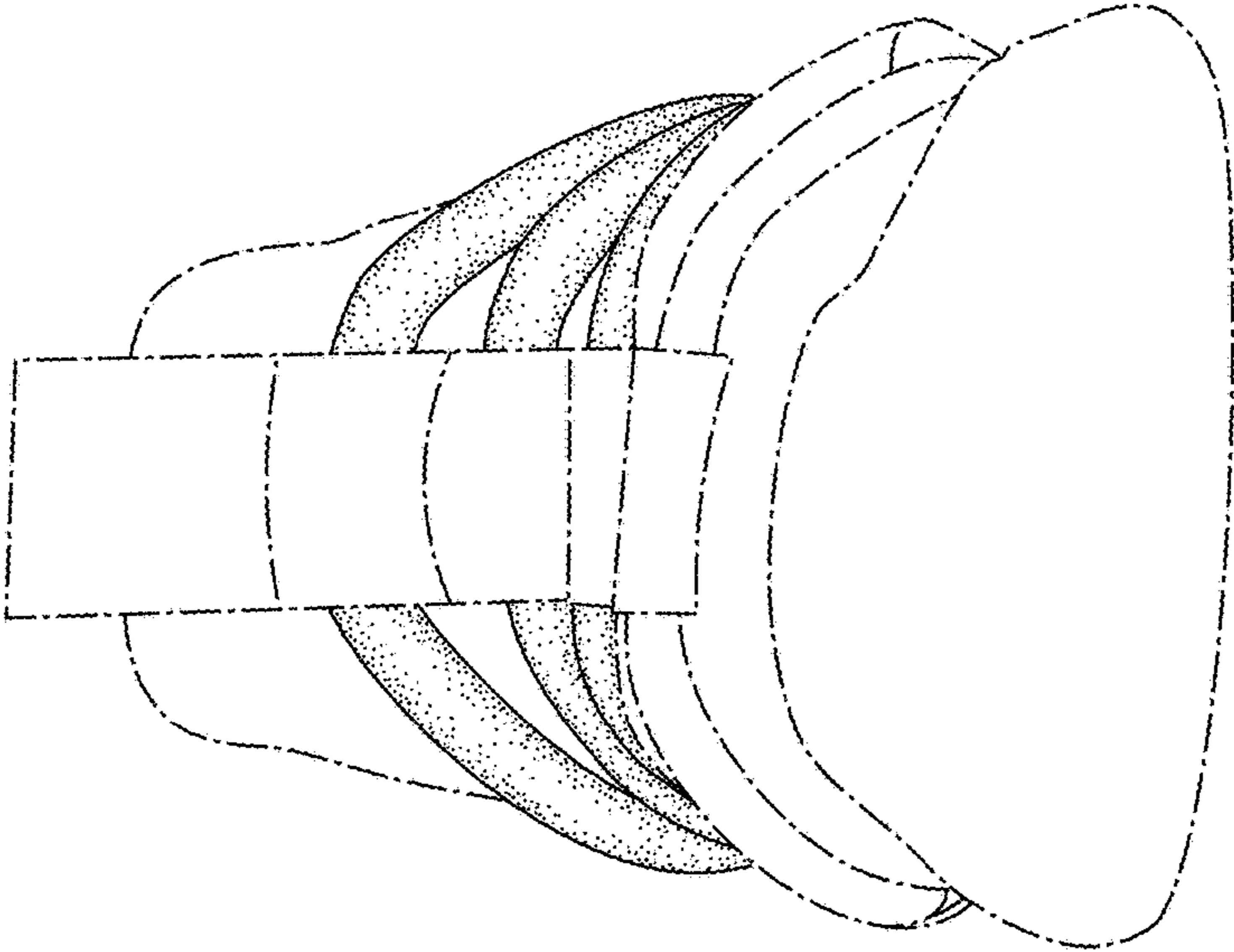


FIG. 4

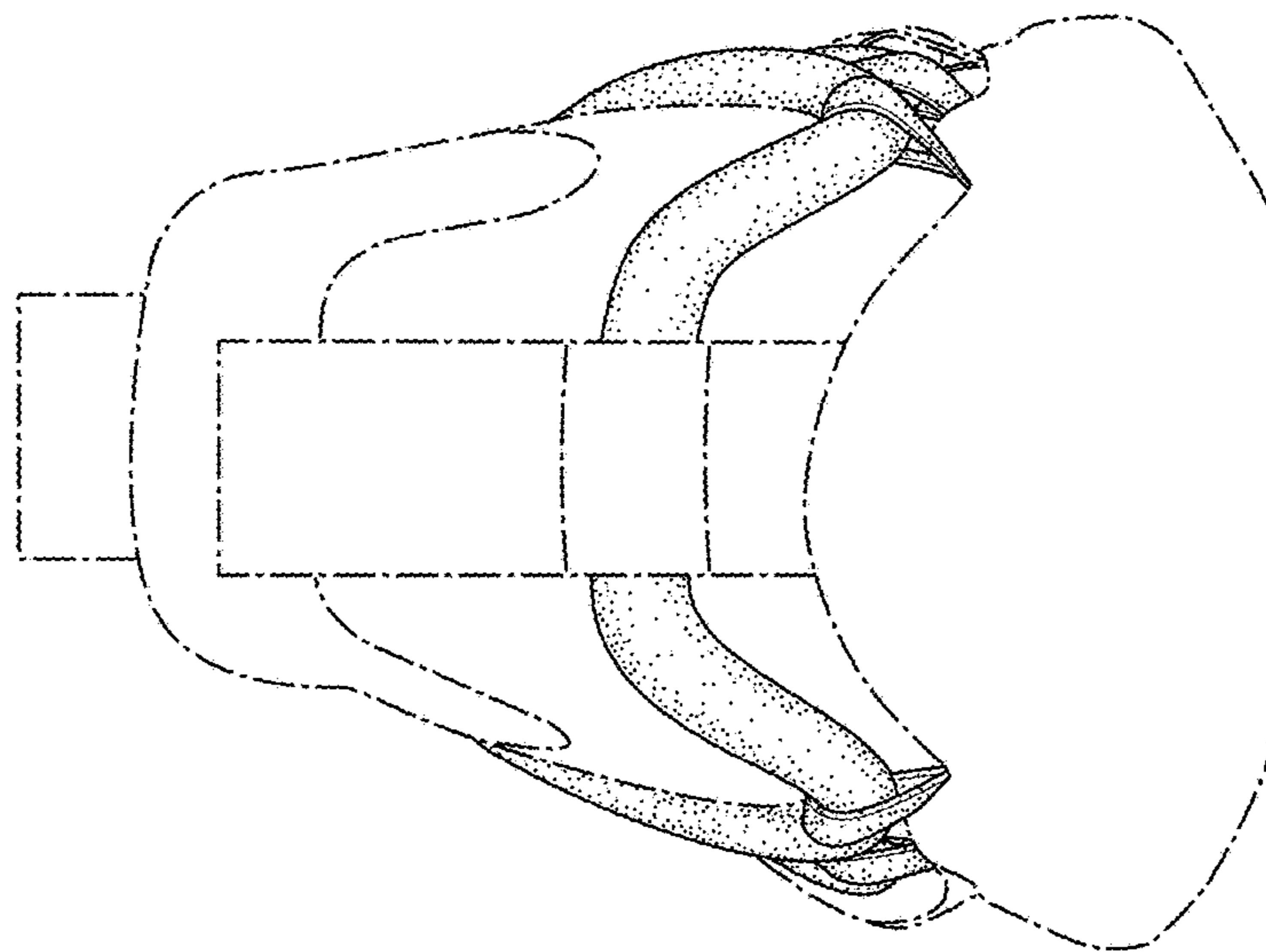


FIG. 5

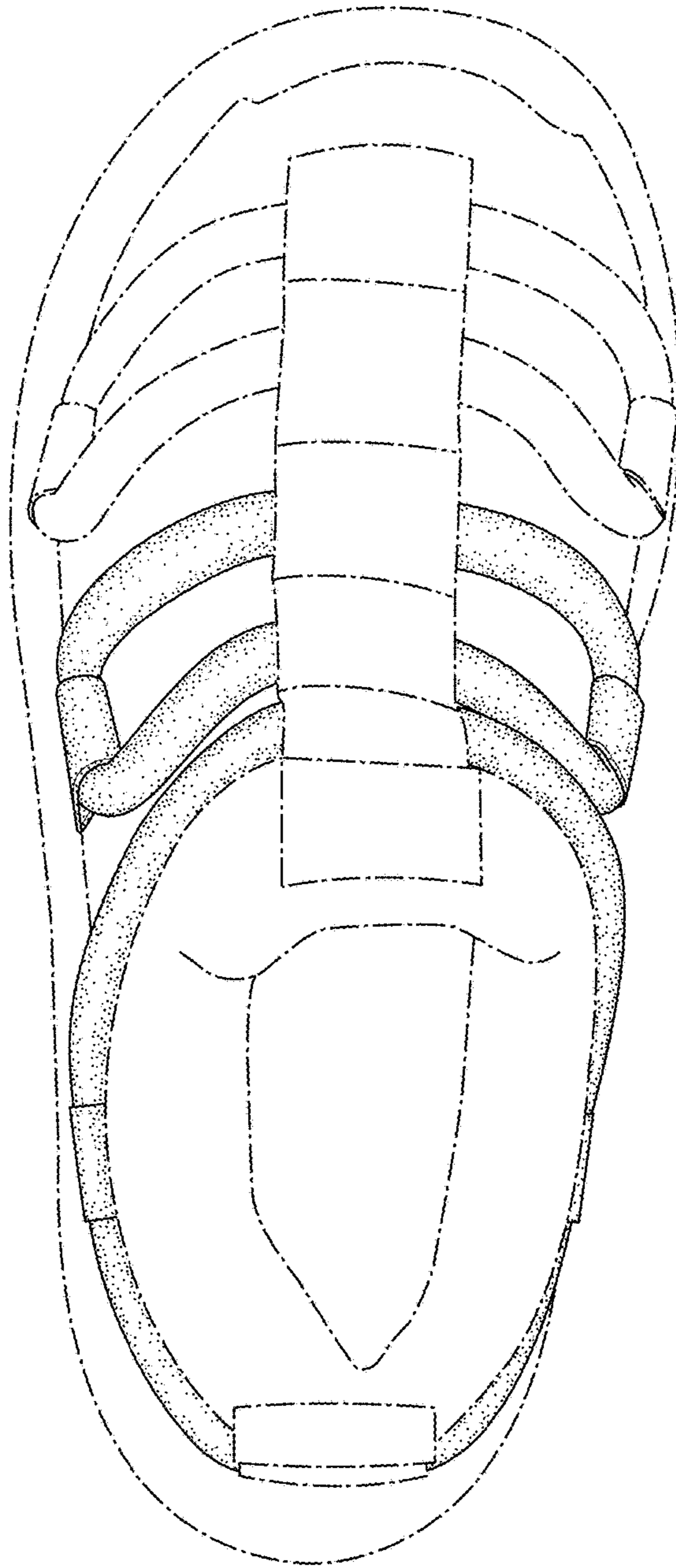


FIG. 6



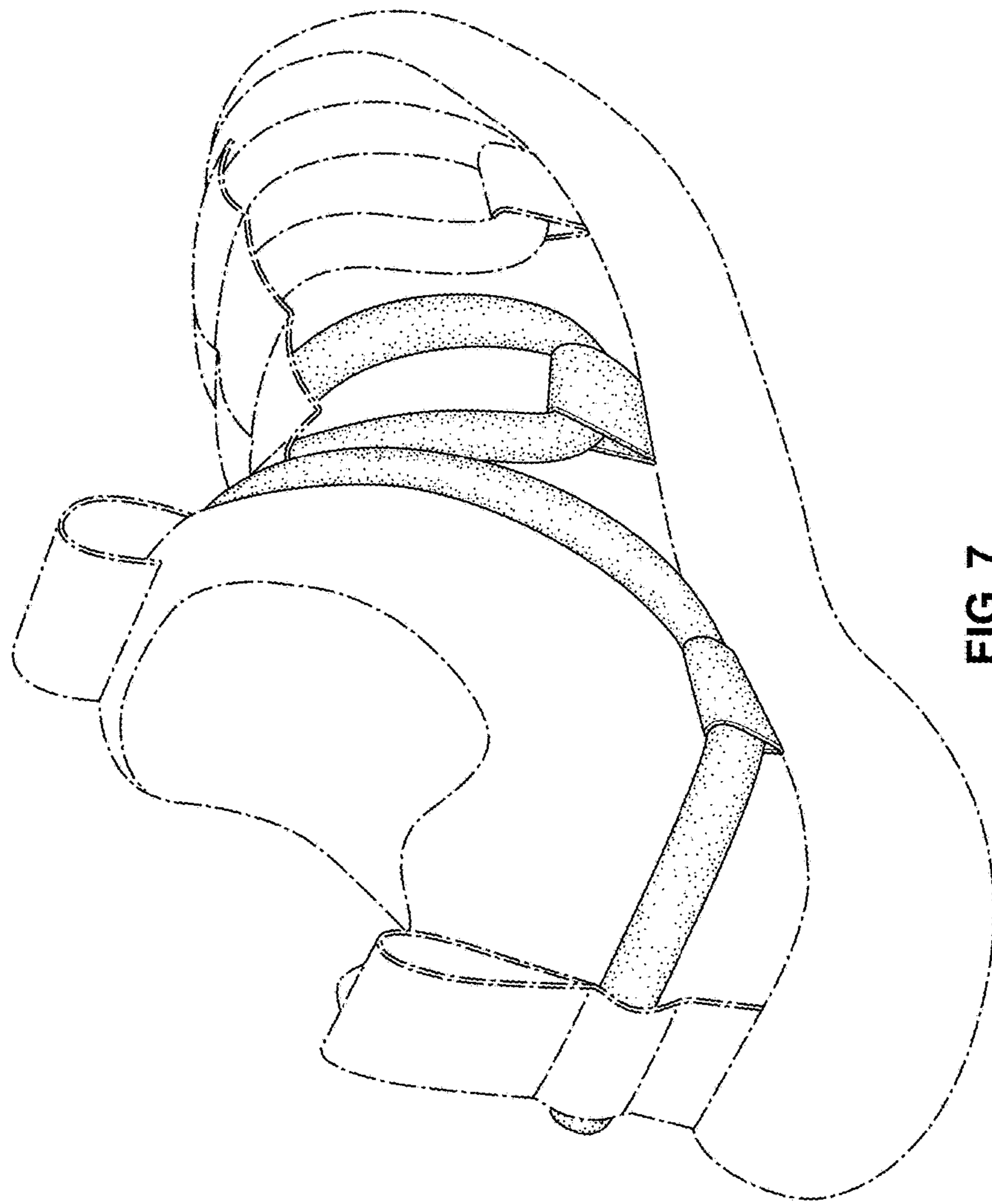


FIG. 7